

QUICK RESPONSE

CONCEALED EXTENDED COVERAGE LIGHT HAZARD AUTOMATIC SPRINKLERS MODELS GL5613, GL8113 HORIZONTAL SIDEWALL

SPECIFICATIONS

NOMINAL "K" FACTOR	THREAD SIZE	FINISHES
5.6 (80 metric)	1/2" NPT	Bright Chrome White Painted *Satin Chrome
8.1 (116 metric)	3/4" NPT	*Bright Brass *Other Painted Surfaces

NOTE: METRIC CONVERSIONS ARE APPROXIMATE.

*FINISHES AVAILABLE ON SPECIAL ORDER. FOR PAINTED PLATES OTHER THAN WHITE, CONTACT GLOBE FOR ORDERING SPECIFICATIONS.

APPROVALS

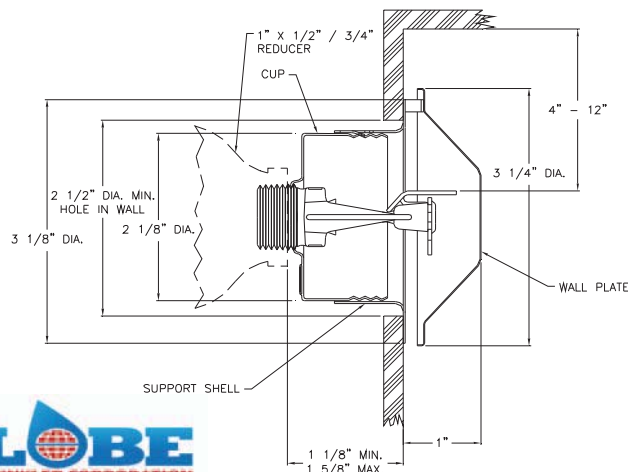
STYLE	SIN MODEL	K FACTOR	135°F (57°C) WITH PLATE 135°F (57°C)	155°F (68°C) WITH PLATE 135°F (57°C)	175°F (79°C) WITH PLATE 155°F (68°C)	cULus	NYC - DOB MEA 101-92-E
CONCEALED SIDEWALL	GL 5613	5.6	X	X	X	X	X
	GL8113	8.1	X	X	X	X	X

U.L. LISTING DESIGN - USE REQUIREMENTS FOR LIGHT HAZARDS

SIN MODEL	K-FACTOR	TEMPERATURE	CEILING TO DEFLECTOR DISTANCE	WIDTH OF COVERAGE	LENGTH OF COVERAGE	MIN. PRESSURE P.S.I.	FLOW IN G.P.M.
GL5613	5.6	135°F / 57°C 155°F / 68°C 175°F / 79°C	4" TO 6"	16'	16'	26.8	29
					18'	26.8	29
					*20'	32.7	32
			6" TO 12"		16'	32.7	32
					18'	32.7	32
					*20'	32.7	32
GL8113	8.1	135°F / 57°C 155°F / 68°C 175°F / 79°C	4" TO 12"	16'	16'	10.3	26
			4" TO 6"		18'	12.8	29
			6" TO 12"		18'	15.6	32
			4" TO 6"		*20'	15.6	32
			6" TO 12"		*20'	20.9	37

* 155°F NOT LISTED IN 16' x 20' ROOM SIZE, USE EITHER 135°F OR 175°F.
7' MINIMUM SPACING FOR GL5613 AND 6' MINIMUM SPACING FOR GL8113.

CROSS SECTION



ORDERING INFORMATION

SPECIFY

- Quantity • Model Number • Style
- Orifice • Temperature • Finishes desired
- Quantity - 5.6K Wrenches - P/N 329678
- Quantity - 8.1K Wrenches - P/N 329679
- Quantity - Protective Caps - P/N 327119

GLOBE® PRODUCT WARRANTY

Globe agrees to repair or replace any of its own manufactured products found to be defective in material or workmanship for a period of one year from date of shipment.

For specific details of our warranty please refer to Price List Terms and Conditions of Sale (Our Price List).

GLOBE FIRE SPRINKLER CORPORATION
4077 AIRPARK DRIVE, STANDISH, MICHIGAN 48658
989-846-4583 FAX 989-846-9231
1-800-248-0278 www.globesprinkler.com

