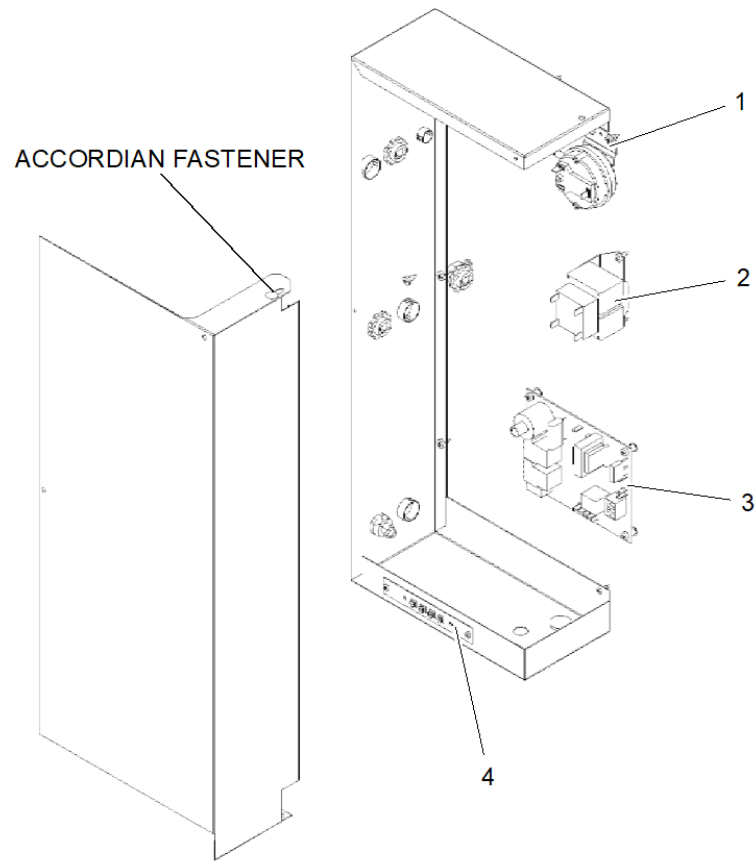


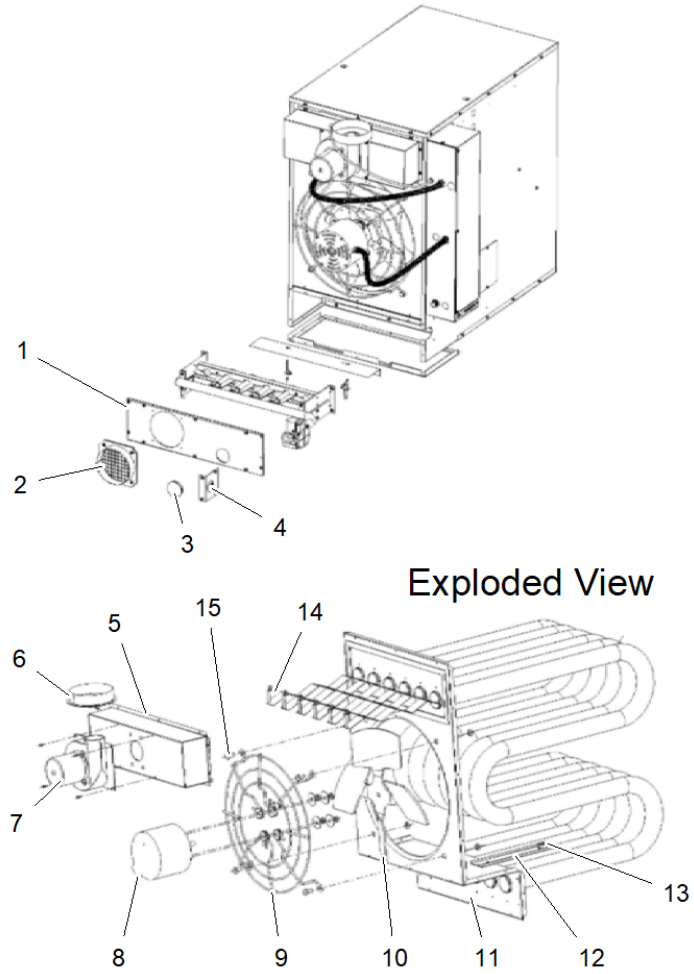
Part No.	Reference No.	Quantity	Description
0000159869~S	*		Electrical Control Panel Assembly
0000159866~S	*		General Assembly & Heat Exchanger
0000159867~S	*		Manifold Burner Assembly
0000159865~S	*		Model Number Description
0000159868~S	*		Panels & Louvers Assembly

Part No.	Reference No.	Quantity	Description
0000032212~P	*		Electrical Control Panel



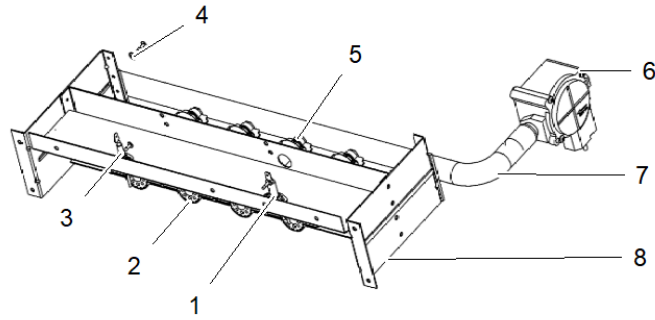
Part No.	Reference No.	Quantity	Description
SWT04653	1a	1	SWITCH; AIR PRESSURE SWITCH STD ALT (0-4,999 FT)
SWT04654	1b	1	SWITCH; AIR PRESSURE SWITCH HIGH ALT (5,000 FT+)
TRR01251	2	1	TRANSFORMER; 50VA, 120V PRI., 24V SEC
BRD03396	3	1	BOARD; CONTROL
PLT07339	4	1	PLATE; TERMINAL BLOCK

Part No.	Reference No.	Quantity	Description
000032213~P	*		General Assembly & Heat Exchanger



Part No.	Reference No.	Quantity	Description
CAB01185	*	1	CABLE; IGNITION-36 IN. LONG
CON01299	*	1	CONNECTOR; MOLEX ASSY(LEADS 19 IN LONG)
PNL37231	1	1	PANEL; REAR COVER
CLR00906	2	2	COLLAR; INLET AIR
BRK05238	4	1	BRACKET; MANIFOLD SEALING ASSY
FLU00223	5a	1	FLUE; COLLECTOR BOX 300 TUBULAR
FLU00416	5b	1	FLUE; COLLECTOR 34 09 STAINLESS STEEL
ADP00492	6	1	ADAPTER; ASM., FLUE COLLAR
BLW00659	7	1	BLOWER; POWER DRAFTOR VENT ASSEMBLY
MOT07942	8a	2	MOTOR; 1/4 HP, OPEN DRIP PROOF, 4.7 AMP, 120/60, 1 SPEED, 1050 RPM
MOT03782	8b	2	MOTOR; 1/3 HP, 115/60/1, 1140 RPM, TE
GRD02104	9a	2	GUARD; FAN GUARD, INCLUDES MOTOR MOUNTING PLATE
GRD01652	9b	2	GUARD; OSHA FAN FOR 14 IN AND 16 IN FANS
FAN01608	10	2	FAN; 4 BLADE, CW ROTATION, 16 IN., 34DEG. PITCH
EXC01402	11	1	EXCHANGER; HEAT, W/VESTIBULE PANEL, ALUMINUM
BRK02536	12	2	BRACKET; HIGH LIMIT
SWT01036	13	2	SWITCH; AUXILARY CONTROL, HIGH LIMIT, 60T23-203675, F170-40, OPENS 130F, CLOSES 170F
TRB00241	14	1	TURBULATOR;
KIT19838	15	2	KIT; FAN, GUARD, MOTOR MOUNT HARDWARE KIT

Part No.	Reference No.	Quantity	Description
000032215~P	*		Manifold Burner Assembly



All orderable Service Parts are identified for this product.

Parts that are not identified, will not be available to order.

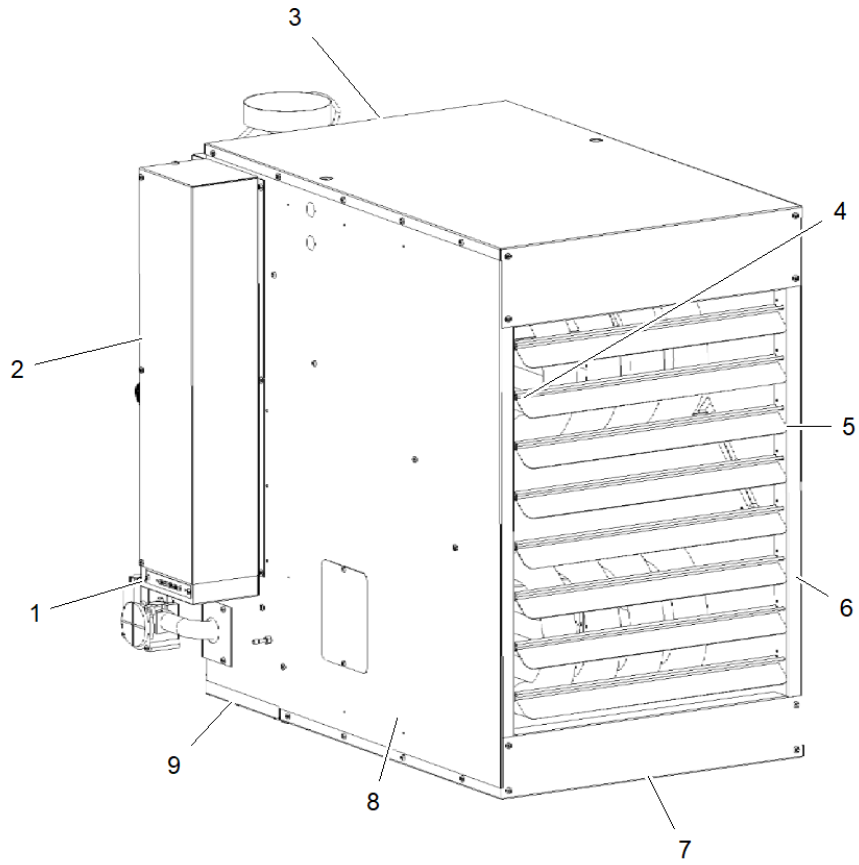
This document is for informational purposes only. It is not intended to be used as a substitute for the original product documentation.

Part No.	Reference No.	Quantity	Description
CNT05013	1	1	CONTROL; SPARK IGNITOR
BNR01034	2a	1	BURNER;
BNR01351	2b	1	BURNER; INSHOT BURNER304L STAINLESS STEEL
SEN02145	3	1	SENSOR; FLAME SENSOR, DS, 1.500"
ORF01748	5	1	ORIFICE; STANDARD ORIFICE, (NATURAL GAS)
VAL08916	6	1	VALVE; SINGLE STAGE NATURAL(NG)
MFD00846	7	1	MANIFOLD;
BRK04428	8	1	BRACKET; MANIFOLD BRACKET SUB-ASSY

Part No.	Reference No.	Quantity	Description
000032207~P	*		Model Number Description

MODEL NUMBER DESCRIPTION		75013809	REV A
GAS HEATING TUBULAR BLOWER UNIT HEATER GV MODELS			
MODEL NUMBER EXAMPLE G B N E 0 2 0 A T A 1 0 0 0 J 1 2 3 4 5 6 7 8 9 10 11 12 13 14 15			
Digit 1 - Gas Heating Equipment: G = Gas Heating	Digit 12, 13, 14 0 = None		
Digit 2 - Unit Type V = Tubular Blower Unit Heater	Digit 15 - Miscellaneous Options 0 = None A = #409 Stainless Steel Burners		
Digit 3 - Fuel Type N = Natural Gas P = Propane Gas (LP) S = Special	B = Air Pressure Switch for Elevation Above 5000 Feet C = #409 Stainless Steel Flue Collector D = Summer-Winter Switch E = Vertical Louvers H = Duct Discharge Flange		
Digit 4 - Development Sequence E = Fifth Generation etc	J = Totally Enclosed Motor 3 = Premium Efficiency, Open Drip Proof 4 = Premium Efficiency, Totally Enclosed		
Digit 5,6,7 - Input Capacity G10 = 100 MBh G12 = 125 MBh G15 = 150 MBh G17 = 175 MBh G20 = 200 MBh G25 = 250 MBh G30 = 300 MBh G35 = 350 MBh G40 = 400 MBh			
Digit 8 - Main Power Supply A = 115/60/1 B = 230/60/1 C = 208/60/3 D = 230/60/3 E = 460/60/3 F = 575/60/3 G = 208/60/1 S = Special			
Digit 9 = Gas Control Option H = Electronic Modulating W/Room Sensing J = Electronic Modulating W/Duct Sensing L = Electronic Modulating W/External 4-20 mA Input N = Electronic Modulating W/External 0-10 VDC Input T = Single Stage, Direct Spark Ignition V = Two Stage, Direct Spark Ignition W = Electronic Modulation w/Duct Sensing & Room Override Stat S = Special			
Digit 10 - Design Sequence A = First Design			
Digit 11 = Heat Exchanger Material 1 = Standard (Aluminized Steel) 2 = #409 Stainless Steel S = Special			

Part No.	Reference No.	Quantity	Description
0000032228~P	*		Panel & Louvers



Part No.	Reference No.	Quantity	Description
BOX01188	1	1	BOX; CONTROL
COV02682	2	1	COVER; CONTROL BOX
PNL39136	3	1	PANEL; TOP JACKET PANEL W/ INSULATION
SPG00194	4	8	SPRING; CONE, ADJUSTABLE LOUVERS FOR HORZ. AND VERT.(ORDER QTY EQUALS PIECES)
LVR00111	5	8	LOUVER;
PNL39133	6	1	PANEL; LEFT SIDE JACKET PANEL W/ INSULATION
PNL37229	7	1	PANEL; BOTTOM JACKET, W/ INSULATION
PNL37222	8	1	PANEL; RIGHT SIDE JACKET, W/ INSULATION
PNL37230	9	1	PANEL; BOTTOM BURNER