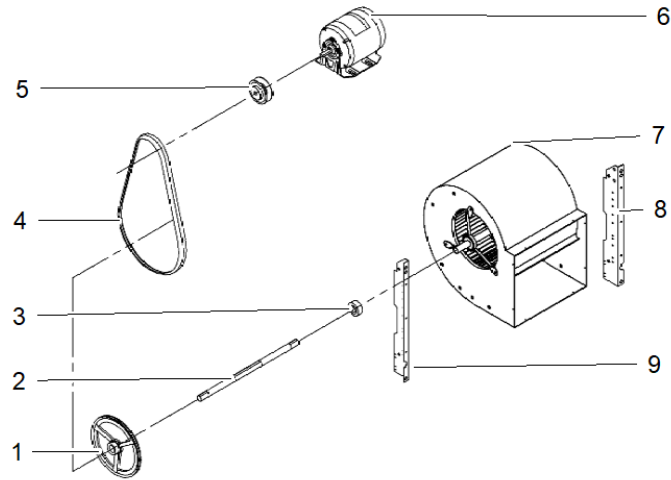


Part No.	Reference No.	Quantity	Description
0000094267~S	*		BLOWER ASSEMBLY
0000094266~S	*		ELECTRICAL CONTROL BOX
0000094263~S	*		GENERAL ASSEMBLY
0000094209~S	*		HEAT EXCHANGER, FLUE COLLECTOR, POWER VENTER & TURBULATORS
0000094265~S	*		MANIFOLD BURNER ASSEMBLY
0000094264~S	*		MODEL NUMBER DESCRIPTION
0000094210~S	*		PANELS & LOUVERS

Part No.	Reference No.	Quantity	Description
000008259~P	*		BLOWER ASSEMBLY PARTS LIST



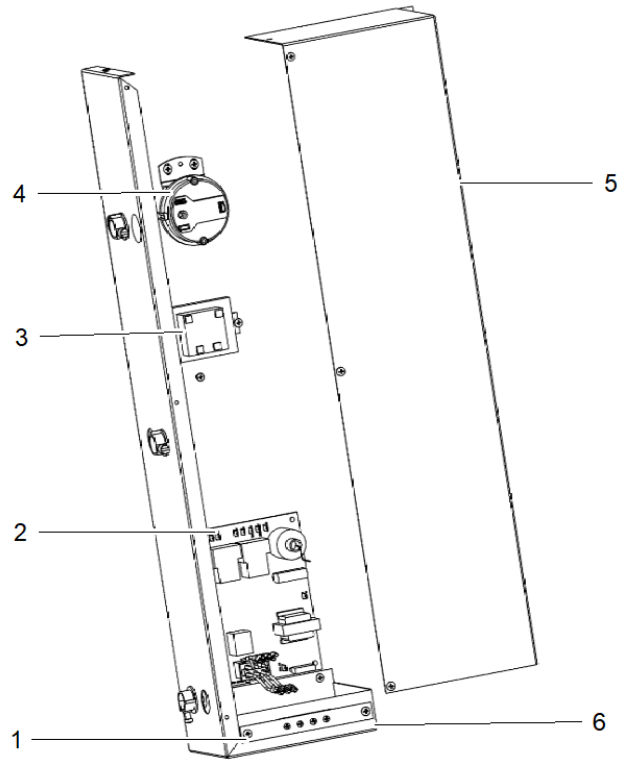
All orderable Service Parts are identified for this product.

Parts that are not identified, will not be available to order.

For more information, please refer to the Parts List and Assembly Instructions.

Part No.	Reference No.	Quantity	Description
SHE06370	1	1	SHEAVE; DRIVEN PULLEY (STANDARD) - A.K.A. BLOWER PULLEY
SHF00940	2	1	SHAFT; 19 3/4 LG.
BRG01098	3	2	BEARING; RUBBER CUSHIONED, 1 IN. INNER DIA, 2.25" OUTSIDE DIA.,WITH LOCKING COLLAR
BLL01933	4	1	BELT; V-BELT (STANDARD)
SHE06367	5	1	SHEAVE; DRIVE PULLEY (STANDARD) - A.K.A. MOTOR SHEAVE
MOT02381	6	1	MOTOR, 3/4 HP, 115/60/1, ODP
BLW00212	7	1	BLOWER; ASM COMPLETE: 1 HOUSING,1 WHEEL, 2 5 HP SPIDER BEARING BRACKETS
SUP02458	8	1	SUPPORT;LEFT HAND, BLOWER HOUSING
SUP02459	9	1	SUPPORT;RIGHT, BLOWER HOUSING

Part No.	Reference No.	Quantity	Description
000008247~P	*		ELECTRICAL CONTROL BOX PARTS LIST



All orderable Service Parts are identified for this product.

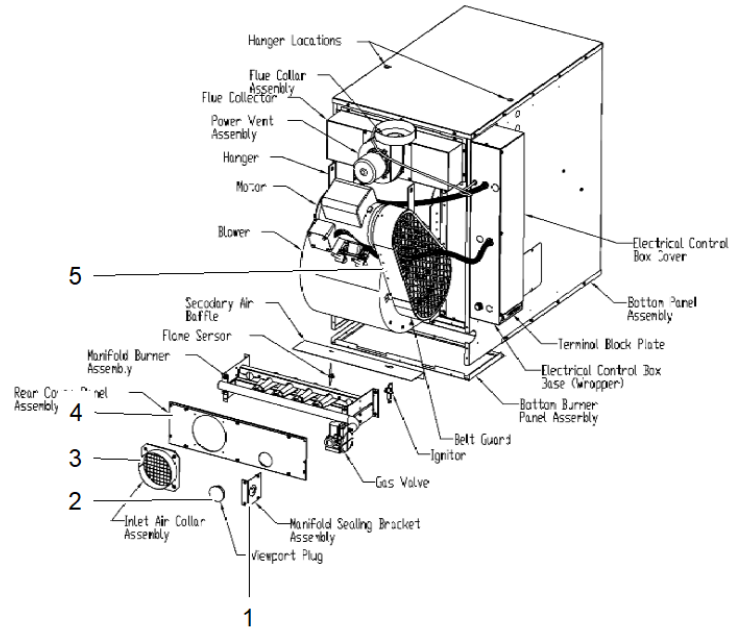
Parts that are not identified, will not be available to order.

Parts List Number :0000094257

Model Number :GVNE020ATA20000

Part No.	Reference No.	Quantity	Description
PLT05204	1	1	PLATE; TERMINAL BLOCK
BRD03396	2	1	BOARD; CONTROL
TRR01251	3	1	TRANSFORMER; 50VA, 120V PRI., 24V SEC
SWT03800	4	1	SWITCH; AIR PRESSURE, STD ALT (0-4,999 FT)
SWT03802	4a	1	SWITCH; AIR PRESSURE, HIGH ALT (5,000 FT+)
COV02682	5	1	COVER; CONTROL BOX
BOX01188	6	1	BOX; CONTROL

Part No.	Reference No.	Quantity	Description
000008803~P	*		GENERAL ASSY GV



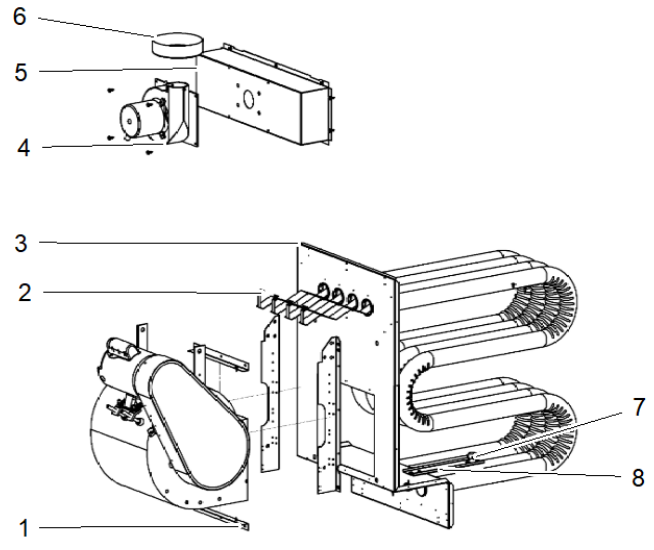
All orderable Service Parts are identified for this product.
Parts that are not identified, will not be available to order.

Part No.	Reference No.	Quantity	Description
MNT02447	*	1	MOUNT; BLOWER MOUNTING EXTENSION ASSEMBLY
BRK05237	1	1	BRACKET; MANIFOLD SEALING ASSY
GLS01083	2	1	GLASS; PEEP HOLE SIGHT
CLR00906	3	1	COLLAR; INLET AIR
PNL37228	4	1	PANEL; REAR COVER
GRD01261	5	1	GUARD, 12 INCH BLOWER GUARD ASSEMBLY

Parts List Number :000094257

Model Number :GVNE020ATA20000

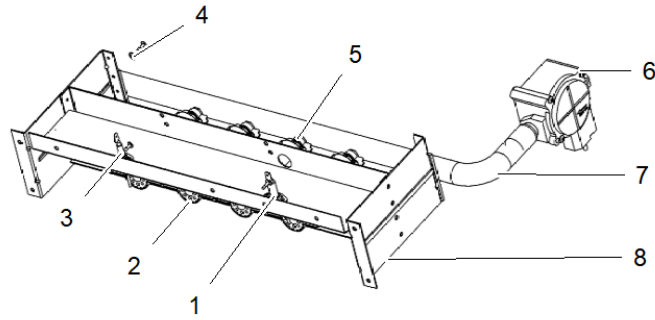
Part No.	Reference No.	Quantity	Description
000008277~P	*		HEAT EXCHANGER, FLUE COLLECTOR, POWER VE



All orderable Service Parts are identified for this product.
Parts that are not identified, will not be available to order.

Part No.	Reference No.	Quantity	Description
BRK04425	1	2	BRACKET; BLOWER BLOCK OFF
TRB00229	2	8	TURBULATOR;
EXC02982	3	1	EXCHANGER; VESTIBLE PANEL/TUBE ASSEMBLY HEAT EXCHANGER (409 S.S.)
BLW00660	4	1	BLOWER; ASM., COMBUSTION AIR, W/MOTOR 115/60, 1.8A,
FLU00221	5	1	FLUE; COLLECTOR BOX 200 TUBULAR
ADP00491	6	1	ADAPTER; ASM., FLUE COLLAR
SWT01036	7	1	SWITCH; AUXILARY CONTROL, HIGH LIMIT, 60T23-203675, F170-40, OPENS 130F, CLOSES 170F
BRK02536	8	1	BRACKET; HIGH LIMIT

Part No.	Reference No.	Quantity	Description
000008789~P	*		MANIFOLD BURNER ASSEMBLY PARTS LIST



All orderable Service Parts are identified for this product.
Parts that are not identified, will not be available to order.

Parts List Number :000094257

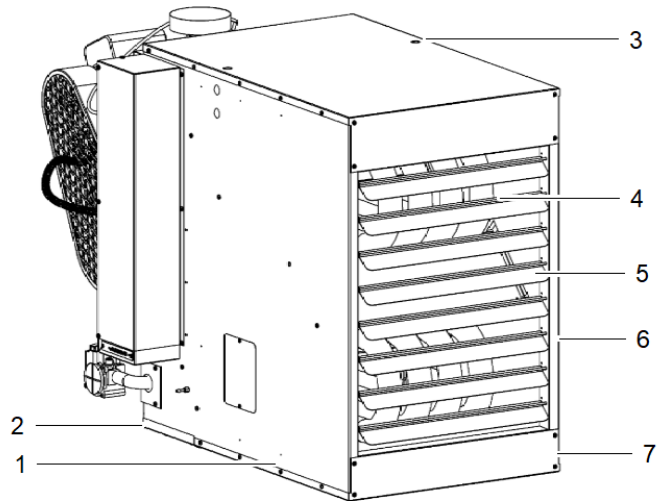
Model Number :GVNE020ATA20000

Part No.	Reference No.	Quantity	Description
CNT05013	1	1	CONTROL; SPARK IGNITOR
BNR01034	2	8	BURNER;
SEN02145	3	1	SENSOR; FLAME SENSOR, DS, 1.500"
ORF01748	5	8	ORIFICE; STANDARD ORIFICE, (NATURAL GAS)
VAL08914	6	1	VALVE; SINGLE STAGE NATURAL GAS
MFD00844	7	1	MANIFOLD;
BRK04427	8	1	BRACKET; MANIFOLD BRACKET SUB-ASSY

Part No.	Reference No.	Quantity	Description
000008236~P	*		MODEL NUMBER DESCRIPTION

MODEL NUMBER DESCRIPTION		75013809	REV A
GAS HEATING TUBULAR BLOWER UNIT HEATER			
GV MODELS			
MODEL NUMBER EXAMPLE			
G B N E 0 2 0 A T A 1 0 0 0 J			
1 2 3 4 5 6 7 8 9 10 11 12 13 14 15			
Digit 1 - Gas Heating Equipment:		Digit 12, 13, 14	
G = Gas Heating		0 = None	
Digit 2 - Unit Type		Digit 15 - Miscellaneous Options	
V = Tubular Blower Unit Heater		0 = None	
		A = #409 Stainless Steel Burners	
Digit 3 - Fuel Type		B = Air Pressure Switch for Elevation Above 5000 Feet	
N = Natural Gas		C = #409 Stainless Steel Flue Collector	
P = Propane Gas (LP)		D = Summer-Winter Switch	
S = Special		E = Vertical Louvers	
Digit 4 - Development Sequence		H = Duct Discharge Flange	
E = Fifth Generation etc		J = Totally Enclosed Motor	
		3 = Premium Efficiency, Open Drip Proof	
		4 = Premium Efficiency, Totally Enclosed	
Digit 5,6,7 - Input Capacity			
G10 = 100 MBh			
G12 = 125 MBh			
G15 = 150 MBh			
G17 = 175 MBh			
G20 = 200 MBh			
G25 = 250 MBh			
G30 = 300 MBh			
G35 = 350 MBh			
G40 = 400 MBh			
Digit 8 - Main Power Supply			
A = 115/60/1			
B = 230/60/1			
C = 208/60/3			
D = 230/60/3			
E = 460/60/3			
F = 575/60/3			
G = 208/60/1			
S = Special			
Digit 9 = Gas Control Option			
H = Electronic Modulating W/Room Sensing			
J = Electronic Modulating W/Duct Sensing			
L = Electronic Modulating W/External 4-20 mA Input			
N = Electronic Modulating W/External 0-10 VDC Input			
T = Single Stage, Direct Spark Ignition			
V = Two Stage, Direct Spark Ignition			
W = Electronic Modulation w/Duct Sensing & Room Override Stat			
S = Special			
Digit 10 - Design Sequence			
A = First Design			
Digit 11 = Heat Exchanger Material			
1 = Standard (Aluminized Steel)			
2 = #409 Stainless Steel			
S = Special			

Part No.	Reference No.	Quantity	Description
000008218~P	*		PANELS & LOUVERS PARTS LIST



All orderable Service Parts are identified for this product.
Parts that are not identified, will not be available to order.

Part No.	Reference No.	Quantity	Description
CAB01185	*	1	CABLE; IGNITION-36 IN. LONG
CON01299	*	1	CONNECTOR; MOLEX ASSY(LEADS 19 IN LONG)
TUB13641	*	1	TUBING; VINYL, (PRESSURE SWITCH)
PNL37222	1	1	PANEL; RIGHT SIDE JACKET, W/ INSULATION
PNL37227	2	1	PANEL; BOTTOM BURNER
PNL30474	3	1	PANEL; TOP JACKET, W/ INSULATION
SPG00194	4	8	SPRING; CONE, ADJUSTABLE LOUVERS FOR HORZ. AND VERT.(ORDER QTY EQUALS PIECES)
LVR00110	5	8	LOUVER;
PNL30476	6	1	PANEL; LEFT SIDE JACKET, W/ INSULATION
PNL37226	7	1	PANEL; BOTTOM JACKET, W/ INSULATION