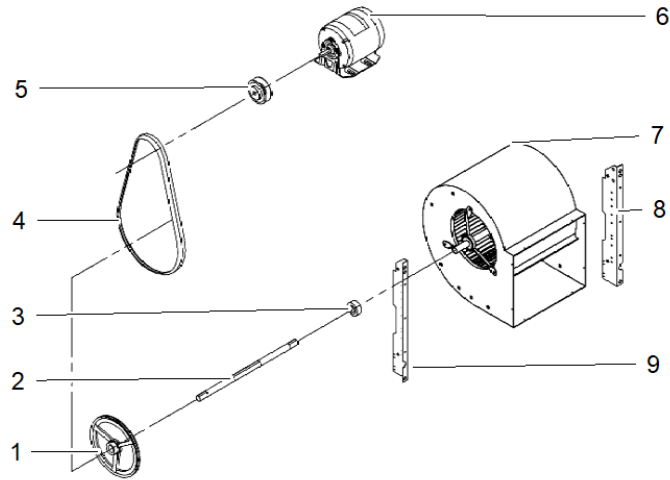


| <b>Part No.</b> | <b>Reference No.</b> | <b>Quantity</b> | <b>Description</b>   |
|-----------------|----------------------|-----------------|--|
| 0000094267~S    | *                    |                 | BLOWER ASSEMBLY  |
| 0000094266~S    | *                    |                 | ELECTRICAL CONTROL BOX                                     |
| 0000094263~S    | *                    |                 | GENERAL ASSEMBLY   |
| 0000094209~S    | *                    |                 | HEAT EXCHANGER, FLUE COLLECTOR, POWER VENTER & TURBULATORS |
| 0000094265~S    | *                    |                 | MANIFOLD BURNER ASSEMBLY                                   |
| 0000094264~S    | *                    |                 | MODEL NUMBER DESCRIPTION                                   |
| 0000094210~S    | *                    |                 | PANELS & LOUVERS   |

| Part No.    | Reference No. | Quantity | Description                |
|-------------|---------------|----------|----------------------------|
| 000008257~P | *             |          | BLOWER ASSEMBLY PARTS LIST |



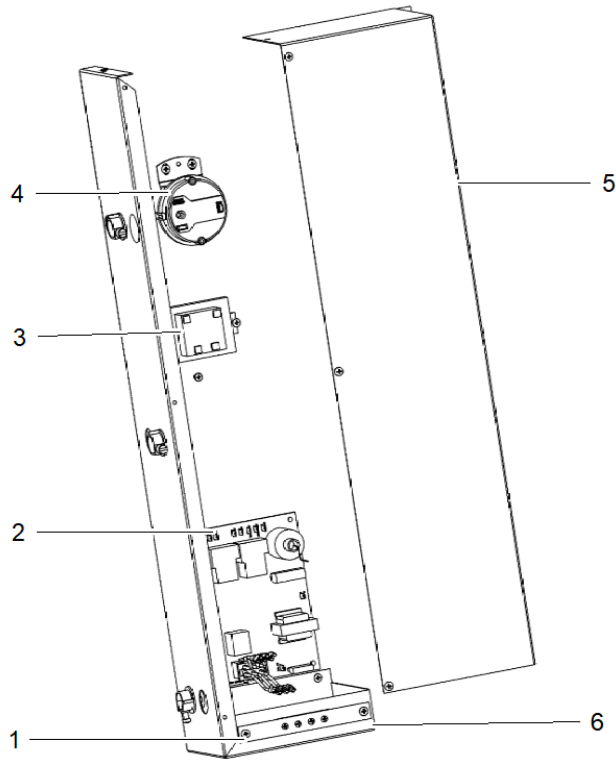
All orderable Service Parts are identified for this product.

Parts that are not identified, will not be available to order.

For more information, please refer to the Parts List and Assembly Instructions.

| <b>Part No.</b> | <b>Reference No.</b> | <b>Quantity</b> | <b>Description</b>   |
|-----------------|----------------------|-----------------|--|
| SHE06371        | 1                    | 1               | SHEAVE; DRIVEN PULLEY (STANDARD) - A.K.A. BLOWER PULLEY                    |
| SHF00256        | 2                    | 1               | SHAFT;FAN  |
| BRG02053        | 3                    | 2               | BEARING; MAIN (QTY REQD PER CAPACITY)                                      |
| BLL01936        | 4                    | 1               | BELT; V-BELT (STANDARD)  |
| SHE06369        | 5                    | 1               | SHEAVE; DRIVE PULLEY (STANDARD) - A.K.A. MOTOR SHEAVE                      |
| MOT19665        | 6                    | 1               | MOTOR; 1/2 HP, 115/60/1, ODP, BLOWER MTR                                   |
| BLW00211        | 7                    | 1               | BLOWER; ASM COMPLETE: 1 HOUSING, 1 WHEEL, (2) 3 HP SPIDER BEARING BRACKETS |
| SUP02458        | 8                    | 1               | SUPPORT;LEFT HAND, BLOWER HOUSING  |
| SUP02459        | 9                    | 1               | SUPPORT;RIGHT, BLOWER HOUSING  |

| Part No.    | Reference No. | Quantity | Description                       |
|-------------|---------------|----------|-----------------------------------|
| 000008245~P | *             |          | ELECTRICAL CONTROL BOX PARTS LIST |



All orderable Service Parts are identified for this product.

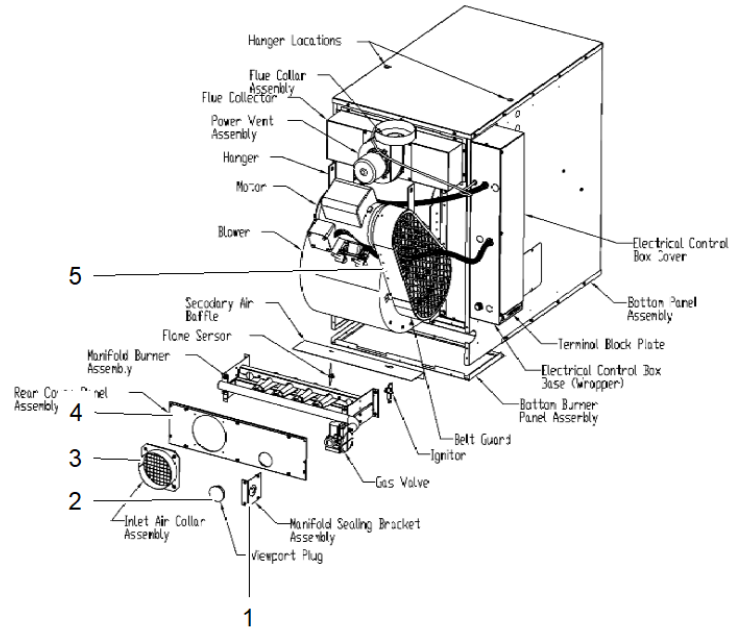
Parts that are not identified, will not be available to order.

Parts List Number :0000094257

Model Number :GVNE015ATA10000

| <b>Part No.</b> | <b>Reference No.</b> | <b>Quantity</b> | <b>Description</b>                         |
|-----------------|----------------------|-----------------|--|
| PLT05204        | 1                    | 1               | PLATE; TERMINAL BLOCK                      |
| BRD03396        | 2                    | 1               | BOARD; CONTROL                             |
| TRR01251        | 3                    | 1               | TRANSFORMER; 50VA, 120V PRI., 24V SEC      |
| SWT03799        | 4                    | 1               | SWITCH; AIR PRESSURE, STD ALT (0-4,999 FT) |
| SWT03801        | 4a                   | 1               | SWITCH; AIR PRESSURE, HIGH ALT (5,000 FT+) |
| COV02682        | 5                    | 1               | COVER; CONTROL BOX                         |
| BOX01188        | 6                    | 1               | BOX; CONTROL                               |

| Part No.    | Reference No. | Quantity | Description     |
|-------------|---------------|----------|-----------------|
| 000008801~P | *             |          | GENERAL ASSY GV |



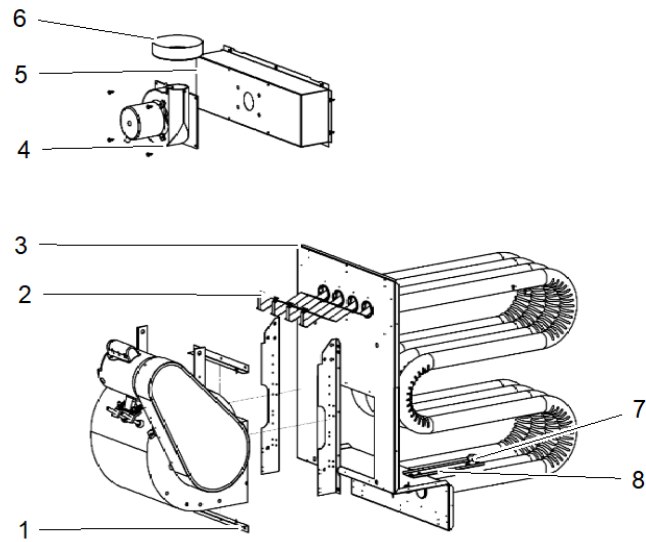
All orderable Service Parts are identified for this product.  
Parts that are not identified, will not be available to order.

| <b>Part No.</b> | <b>Reference No.</b> | <b>Quantity</b> | <b>Description</b>                   |
|-----------------|----------------------|-----------------|--------------------------------------|
| BRK05237        | 1                    | 1               | BRACKET; MANIFOLD SEALING ASSY       |
| GLS01083        | 2                    | 1               | GLASS; PEEP HOLE SIGHT               |
| CLR00906        | 3                    | 1               | COLLAR; INLET AIR                    |
| PNL37225        | 4                    | 1               | PANEL; REAR COVER                    |
| GRD01260        | 5                    | 1               | GUARD; 10 INCH BLOWER GUARD ASSEMBLY |

Parts List Number :0000094257

Model Number :GVNE015ATA10000

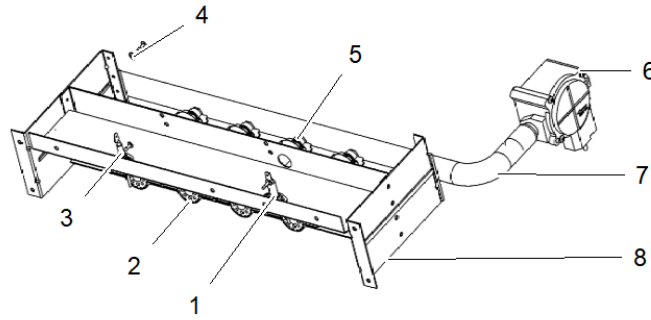
| Part No.    | Reference No. | Quantity | Description                              |
|-------------|---------------|----------|--|
| 000008276~P | *             |          | HEAT EXCHANGER, FLUE COLLECTOR, POWER VE |



All orderable Service Parts are identified for this product.  
Parts that are not identified, will not be available to order.

| <b>Part No.</b> | <b>Reference No.</b> | <b>Quantity</b> | <b>Description</b>   |
|-----------------|----------------------|-----------------|--|
| BRK04424        | 1                    | 2               | BRACKET; BLOWER BLOCK OFF  |
| TRB00229        | 2                    | 6               | TURBULATOR;  |
| EXC02965        | 3                    | 1               | EXCHANGER; VESTIBULE PANEL/TUBE ASSY, ALUMINIZED<br>(HEAT EXCHANGER, INCLUDES TURBULATORS) |
| BLW00679        | 4                    | 1               | BLOWER; DRAFTOR ASSEMBLY, FASCO  |
| FLU00219        | 5                    | 1               | FLUE; COLLECTOR BOX TF 150   |
| ADP00896        | 6                    | 1               | ADAPTER; ASM., FLUE COLLAR   |
| SWT01036        | 7                    | 1               | SWITCH; AUXILARY CONTROL, HIGH LIMIT, 60T23-203675, F170-<br>40, OPENS 130F, CLOSES 170F   |
| BRK02536        | 8                    | 1               | BRACKET; HIGH LIMIT  |

| Part No.    | Reference No. | Quantity | Description                         |
|-------------|---------------|----------|-------------------------------------|
| 000008810~P | *             |          | MANIFOLD BURNER ASSEMBLY PARTS LIST |



All orderable Service Parts are identified for this product.

Parts that are not identified, will not be available to order.

This document is for informational purposes only. It is not intended to be used as a replacement for the original parts list.

Parts List Number :0000094257

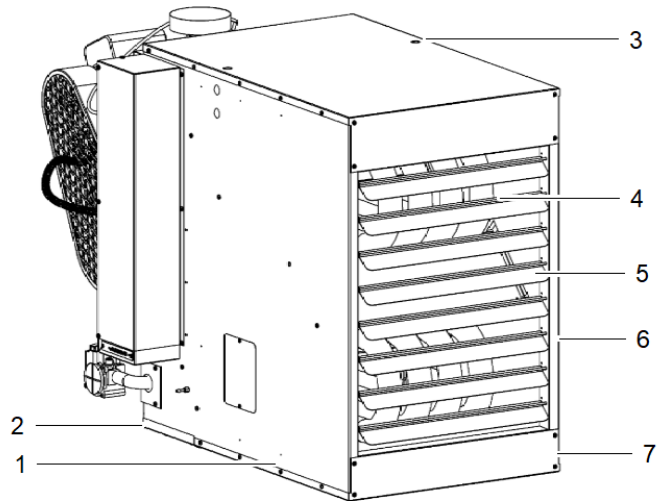
Model Number :GVNE015ATA10000

| <b>Part No.</b> | <b>Reference No.</b> | <b>Quantity</b> | <b>Description</b>                       |
|-----------------|----------------------|-----------------|--|
| CNT05013        | 1                    | 1               | CONTROL; SPARK IGNITOR                   |
| BNR01034        | 2                    | 6               | BURNER;                                  |
| SEN02145        | 3                    | 1               | SENSOR; FLAME SENSOR, DS, 1.500"         |
| ORF01748        | 5                    | 6               | ORIFICE; STANDARD ORIFICE, (NATURAL GAS) |
| VAL08914        | 6                    | 1               | VALVE; SINGLE STAGE NATURAL GAS          |
| MFD00843        | 7                    | 1               | MANIFOLD;                                |
| BRK04426        | 8                    | 1               | BRACKET; MANIFOLD BRACKET SUB-ASSY       |

| Part No.    | Reference No. | Quantity | Description              |
|-------------|---------------|----------|--------------------------|
| 000008236~P | *             |          | MODEL NUMBER DESCRIPTION |

| MODEL NUMBER DESCRIPTION                                      |  | 75013809  | REV<br>A |
|---|--|---|----------|
| GAS HEATING TUBULAR BLOWER UNIT HEATER                        |  |   |          |
| GV MODELS   |  |   |          |
| MODEL NUMBER EXAMPLE  |  |   |          |
| G B N E 0 2 0 A T A 1 0 0 0 J                                 |  |   |          |
| 1 2 3 4 5 6 7 8 9 10 11 12 13 14 15                           |  |   |          |
| Digit 1 - Gas Heating Equipment:                              |  | Digit 12, 13, 14                                      |          |
| G = Gas Heating   |  | 0 = None  |          |
| Digit 2 - Unit Type   |  | Digit 15 - Miscellaneous Options                      |          |
| V = Tubular Blower Unit Heater                                |  | 0 = None  |          |
|   |  | A = #409 Stainless Steel Burners                      |          |
| Digit 3 - Fuel Type   |  | B = Air Pressure Switch for Elevation Above 5000 Feet |          |
| N = Natural Gas   |  | C = #409 Stainless Steel Flue Collector               |          |
| P = Propane Gas (LP)  |  | D = Summer-Winter Switch                              |          |
| S = Special   |  | E = Vertical Louvers                                  |          |
| Digit 4 - Development Sequence                                |  | H = Duct Discharge Flange                             |          |
| E = Fifth Generation etc                                      |  | J = Totally Enclosed Motor                            |          |
|   |  | 3 = Premium Efficiency, Open Drip Proof               |          |
|   |  | 4 = Premium Efficiency, Totally Enclosed              |          |
| Digit 5,6,7 - Input Capacity                                  |  |   |          |
| G10 = 100 MBh   |  |   |          |
| G12 = 125 MBh   |  |   |          |
| G15 = 150 MBh   |  |   |          |
| G17 = 175 MBh   |  |   |          |
| G20 = 200 MBh   |  |   |          |
| G25 = 250 MBh   |  |   |          |
| G30 = 300 MBh   |  |   |          |
| G35 = 350 MBh   |  |   |          |
| G40 = 400 MBh   |  |   |          |
| Digit 8 - Main Power Supply                                   |  |   |          |
| A = 115/60/1  |  |   |          |
| B = 230/60/1  |  |   |          |
| C = 208/60/3  |  |   |          |
| D = 230/60/3  |  |   |          |
| E = 460/60/3  |  |   |          |
| F = 575/60/3  |  |   |          |
| G = 208/60/1  |  |   |          |
| S = Special   |  |   |          |
| Digit 9 = Gas Control Option                                  |  |   |          |
| H = Electronic Modulating W/Room Sensing                      |  |   |          |
| J = Electronic Modulating W/Duct Sensing                      |  |   |          |
| L = Electronic Modulating W/External 4-20 mA Input            |  |   |          |
| N = Electronic Modulating W/External 0-10 VDC Input           |  |   |          |
| T = Single Stage, Direct Spark Ignition                       |  |   |          |
| V = Two Stage, Direct Spark Ignition                          |  |   |          |
| W = Electronic Modulation w/Duct Sensing & Room Override Stat |  |   |          |
| S = Special   |  |   |          |
| Digit 10 - Design Sequence                                    |  |   |          |
| A = First Design  |  |   |          |
| Digit 11 = Heat Exchanger Material                            |  |   |          |
| 1 = Standard (Aluminized Steel)                               |  |   |          |
| 2 = #409 Stainless Steel                                      |  |   |          |
| S = Special   |  |   |          |

| Part No.    | Reference No. | Quantity | Description                 |
|-------------|---------------|----------|-----------------------------|
| 000008217~P | *             |          | PANELS & LOUVERS PARTS LIST |



All orderable Service Parts are identified for this product.  
Parts that are not identified, will not be available to order.

| <b>Part No.</b> | <b>Reference No.</b> | <b>Quantity</b> | <b>Description</b>  |
|-----------------|----------------------|-----------------|---|
| CAB01185        | *                    | 1               | CABLE; IGNITION-36 IN. LONG   |
| CON01299        | *                    | 1               | CONNECTOR; MOLEX ASSY(LEADS 19 IN LONG)                                       |
| TUB13640        | *                    | 1               | TUBING; VINYL, (PRESSURE SWITCH)  |
| PNL37222        | 1                    | 1               | PANEL; RIGHT SIDE JACKET, W/ INSULATION                                       |
| PNL37224        | 2                    | 1               | PANEL; BOTTOM BURNER  |
| PNL30473        | 3                    | 1               | PANEL; TOP JACKET, W/ INSULATION  |
| SPG00194        | 4                    | 8               | SPRING; CONE, ADJUSTABLE LOUVERS FOR HORZ. AND VERT.(ORDER QTY EQUALS PIECES) |
| LVR01153        | 5                    | 8               | LOUVER; [8 REQ'D PER UNIT]  |
| PNL30476        | 6                    | 1               | PANEL; LEFT SIDE JACKET, W/ INSULATION  |
| PNL37223        | 7                    | 1               | PANEL; BOTTOM JACKET, W/ INSULATION   |