

Part No.	Reference No.	Quantity	Description
GTNE1000#GTNEUP1~S	*		CONVERSION KITS SECTION
75010488#GTNEUP1~S	*		EXTERNAL PARTS SECTION
75010490#GTNEUP1~S	*		FACTORY & FIELD INSTALLED SECTION
75010487#GTNEUP1~S	*		INTERNAL PARTS SECTION
75010348#GTNEUP1~S	*		MODEL NUMBER DESCRIPTION
75010489_GTNEUP1_198815~P	*		TOP LEVEL GRAPHIC PARTS LIST

NO GRAPHIC AVAILABLE

75013702

REV
A

**NO
GRAPHIC
AVAILABLE**

MODEL NUMBER DESCRIPTION		75010348	REV A
Indoor Gas Heating Units Low Profile Tubular Propeller Unit Heaters			
Digit 1 - Gas Heating Equipment	Digit 10 - Design Sequence		
Digit 2 - Unit Type	A = First Design		
T = Low Profile Tubular Propeller			
S = Special			
Digit 3 - Fuel Type	Digit 11 - Heat Exchanger Material		
N = Natural Gas	1 = Standard (Aluminized Steel)		
P = LP Gas (Propane)	2 = 409 Stainless Steel		
S = Special			
Digit 4 - Development Sequence	Digit 12 - Rooftop Arrangements		
E = Fifth Generation	0 = None (Indoor Unit)		
	S = Special		
Digit 5,6,7 - Input Capacity	Digit 13 - Rooftop Heating Unit		
Single Furnace	Motor Selection		
003 = 30 MBh	0 = None (Indoor Unit & Rooftop Duct Furnace)		
004 = 45 MBh	S = Special		
006 = 60 MBh			
007 = 75 MBh	Digit 14 - Rooftop Fan Section		
009 = 90 MBh	0 = None (Indoor Unit & Rooftop Duct Furnace)		
011 = 105 MBh	S = Special		
120 = 120 MBh			
Digit 8 - Main Power Supply	Digit 15 - Miscellaneous Options		
A = 115/60/1	All Units		
B = 230/60/1	0 = None		
C = 208/60/3	B = Orifices for Elevations over 5000 ft.		
D = 230/60/3	C = 409 S/S Draft Diverter		
E = 460/60/3	J = Totally Enclosed Motor		
F = 575/60/3	P = Canadian High Altitude 2000-4500 ft		
G = 208/60/1	T = .75" NPT High Gas Pressure Regulator		
S = Special			
Digit 9 - Gas Control Option			
E = Two Stage, Intermittent Pilot Ignition			
(Input 006-120 Only)			
T = Single Stage, Direct Spark Ignition			
S = Special			

Part No.	Reference No.	Quantity	Description
75010348_GTNEUP1_198816~P	*		MODEL NUMBER DESCRIPTION PARTS LIST

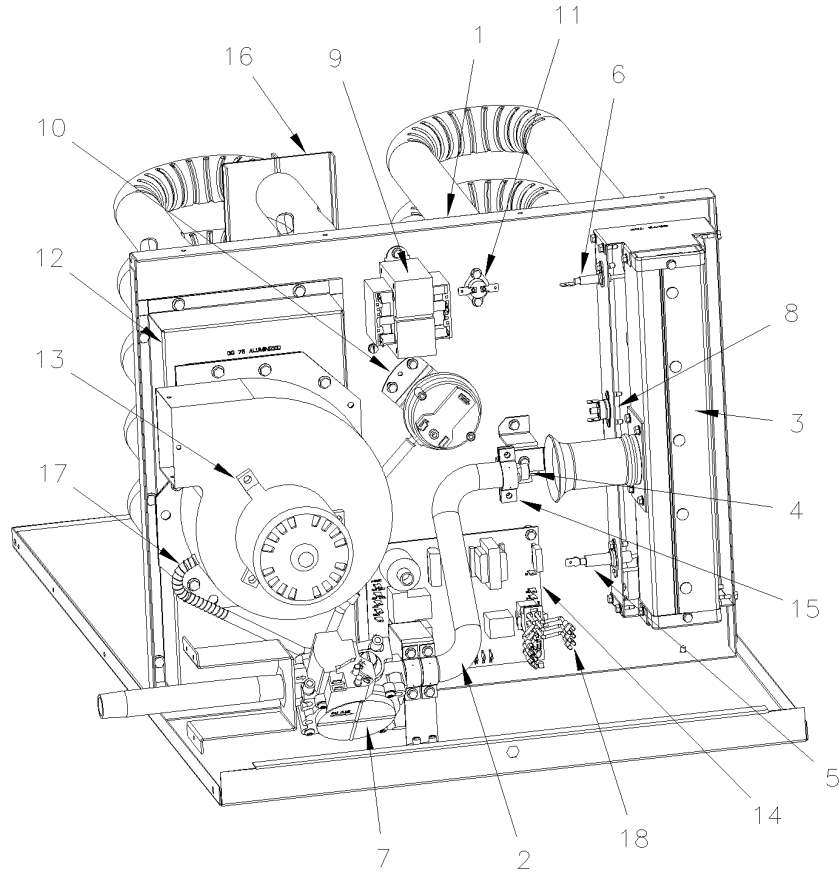
MODEL NUMBER DESCRIPTION		75010348	REV A
Indoor Gas Heating Units Low Profile Tubular Propeller Unit Heaters			
Digit 1 - Gas Heating Equipment	Digit 10 - Design Sequence		
Digit 2 - Unit Type	A = First Design		
T = Low Profile Tubular Propeller			
S = Special	Digit 11 - Heat Exchanger Material		
	1 = Standard (Aluminized Steel)		
Digit 3 - Fuel Type	2 = 409 Stainless Steel		
N = Natural Gas	Digit 12 - Rooftop Arrangements		
P = LP Gas (Propane)	0 = None (Indoor Unit)		
S = Special	S = Special		
Digit 4 - Development Sequence	Digit 13 - Rooftop Heating Unit		
E = Fifth Generation	Motor Selection		
Digit 5,6,7 - Input Capacity	0 = None (Indoor Unit & Rooftop Duct Furnace)		
Single Furnace	S = Special		
003 = 30 MBh	Digit 14 - Rooftop Fan Section		
004 = 45 MBh	0 = None (Indoor Unit & Rooftop Duct Furnace)		
006 = 60 MBh	S = Special		
007 = 75 MBh	Digit 15 - Miscellaneous Options		
009 = 90 MBh	All Units		
011 = 105 MBh	0 = None		
120 = 120 MBh	B = Orifices for Elevations over 5000 ft.		
Digit 8 - Main Power Supply	C = 409 S/S Draft Diverter		
A = 115/60/1	J = Totally Enclosed Motor		
B = 230/60/1	P = Canadian High Altitude 2000-4500 ft		
C = 208/60/3	T = .75" NPT High Gas Pressure Regulator		
D = 230/60/3			
E = 460/60/3			
F = 575/60/3			
G = 208/60/1			
S = Special			
Digit 9 - Gas Control Option			
E = Two Stage, Intermittent Pilot Ignition			
(Input 006-120 Only)			
T = Single Stage, Direct Spark Ignition			
S = Special			

INTERNAL PARTS

75010487

REV
A

*NOT ILLUSTRATED



INTERNAL PARTS SECTION

Parts List Number :75010489#GTNEUP1

Model Number :GTNE009ATA10000

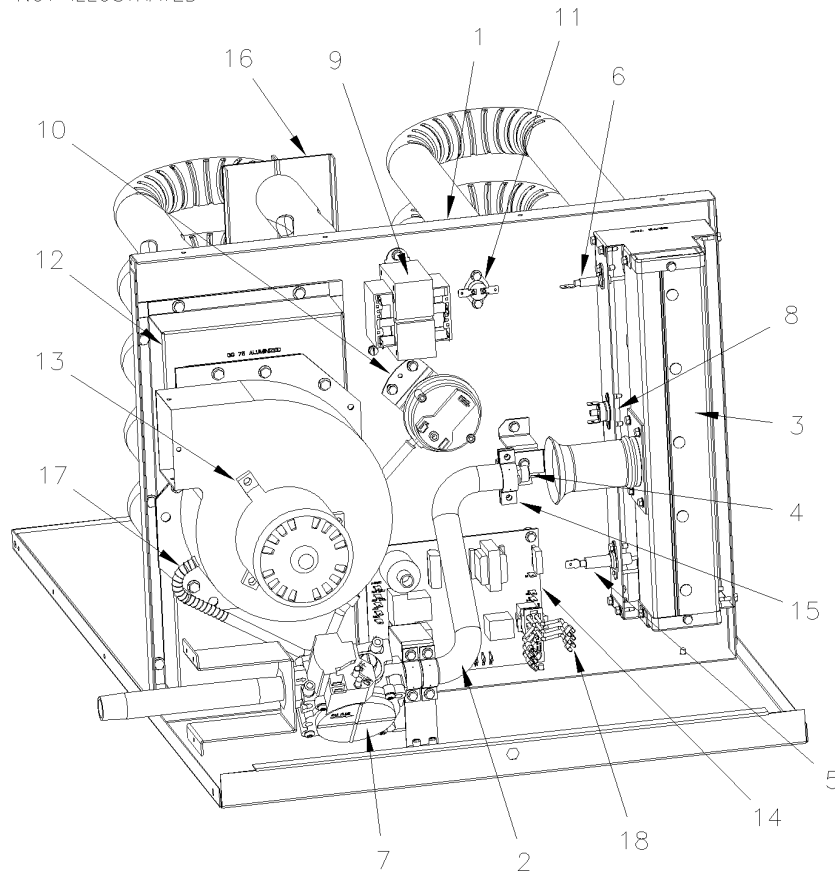
Part No.	Reference No.	Quantity	Description
75010487_GTNEUP1_265134~P	*		INTERNAL PARTS SECTION PARTS LIST

INTERNAL PARTS

75010487

REV
A

*NOT ILLUSTRATED



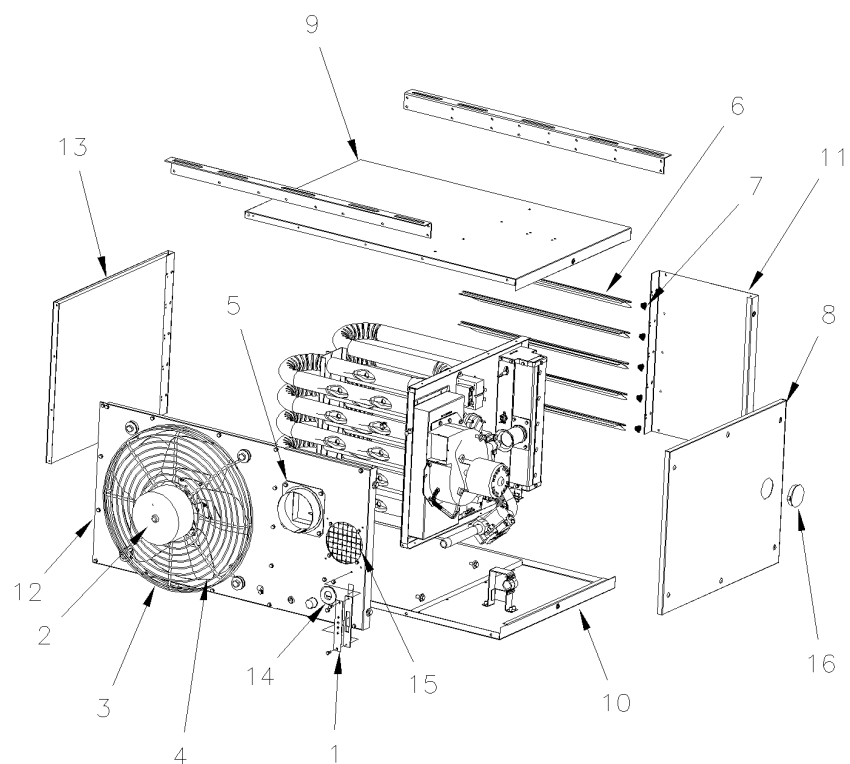
Part No.	Reference No.	Quantity	Description
CAB01184	*	1	CABLE; IGNITION 14 INCHES LONG
EXC02175	1	1	EXCHANGER; HEAT, VESTIBULE PANEL/TUBE ASSY, ALUMINIZED
MFD01378	2	1	MANIFOLD;
BNR01109	3	1	BURNER; ASSEMBLY
ORF01757	4	1	ORIFICE; BURNER SIZE 16
CNT07173	5	1	CONTROL; IGNITOR PROE, DS, 1.250 IN
SEN02145	6	1	SENSOR; FLAME SENSOR, DS, 1.500"
VAL08914	7	1	VALVE; SINGLE STAGE NATURAL GAS
SWT03596	8	1	SWITCH; MANUAL ROLLOUT, 220 DEGREE
TRR01251	9	1	TRANSFORMER; 50VA, 120V PRI., 24V SEC
SWT03849	10	1	SWITCH; AIR PRESSURE - STD ALT (0-4,999 FT)
CNT01284	11	1	CONTROL; HI LIMIT, 100-350 DEGREES, ELEMENT LGTH-9"
FLU00379	12	1	FLUE; COLLECTOR (INCLUDES GASKET)
BLW01343	13	1	BLOWER; POWER VENTER (DRAFTER) ASSEMBLY (INCLUDES GASKET)
BRD03396	14	1	BOARD; CONTROL
CAP01223	15	1	CAP; BRACKET, MANIFOLD
SUP05841	16	1	SUPPORT; TUBE, BRACKET KIT
SPG00875	17	1	SPRING; COMPRESSION; .375 I.D. X .125 NOM. PITCH
CON01299	18	1	CONNECTOR; MOLEX ASSY(LEADS 19 IN LONG)

EXTERNAL PARTS

75010488

REV
A

*NOT ILLUSTRATED



EXTERNAL PARTS SECTION

Parts List Number :75010489#GTNEUP1

Model Number :GTNE009ATA10000

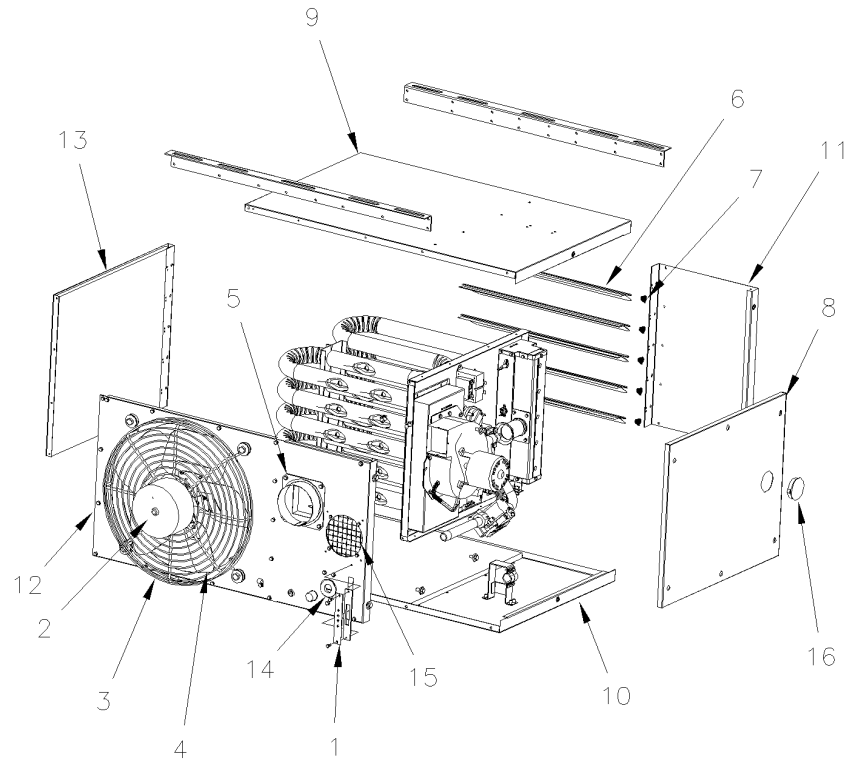
Part No.	Reference No.	Quantity	Description
75010488_GTNEUP1_250146~P	*		EXTERNAL PARTS SECTION PARTS LIST

EXTERNAL PARTS

75010488

REV
A

*NOT ILLUSTRATED



Parts List Number :75010489#GTNEUP1

Model Number :GTNE009ATA10000

Part No.	Reference No.	Quantity	Description
BLK00615	1	1	BLOCK; 4 TERMINAL, PLATE
MOT07941	2	1	MOTOR; 4.2 AMP, 120/60
GRD01652	3	1	GUARD; OSHA FAN FOR 14 IN AND 16 IN FANS
BLD01269	4	1	BLADE; FAN
ADP01369	5	1	ADAPTER; FLUE COLLAR (INCLUDES GASKET AND HARDWARE)
LVR01157	6	7	LOUVER;
SPG00194	7	7	SPRING; CONE, ADJUSTABLE LOUVERS FOR HORZ. AND VERT.(ORDER QTY EQUALS PIECES)
PNL31459	8	1	PANEL; ACCESS (INCLUDES HARDWARE)
PNL27721	9	1	PANEL; TOP JACKET W/INSULATION
PNL27721	10	1	PANEL; TOP JACKET W/INSULATION
PNL31462	11	1	PANEL; FRONT JACKET
PNL31465	12	1	PANEL; REAR JACKET
PNL31467	13	1	PANEL; LEFT SIDE, W/ INSULATION
GRM01037	14	1	GROMMET; GAS INLET
SRN00995	15	1	SCREEN; INLET AIR ASSEMBLY (INCLUDES HARDWARE)
GLS01083	16	1	GLASS; PEEP HOLE SIGHT

MODEL "GG"			
REPLACEMENT PARTS			
FIELD INSTALLED AND OPTION ITEMS			75010490
			Rev
			A
Balloon #:	DESCRIPTION	Part #:	
1	NATURAL GAS VALVE, TWO STAGE (UNIT SIZES 60-120)	VAL08918	
2	PROPANE (LP) GAS VALVE, TWO STAGE (UNIT SIZES 60-120)	VAL08920	
3	TOTALLY ENCLOSED FAN MOTOR (UNIT SIZES 60-75)	MOT02230	
4	TOTALLY ENCLOSED FAN MOTOR (UNIT SIZES 90-120)	MOT03782	
5	4" VENT CAP	CAPO1224	
6	5" VENT CAP	CAPO1225	
7	4" TO 5" VENT ADAPTER (FOR 5" FLUE)	ADP00489	
8	TUBE OF HIGH TEMP SEALANT (2.8 oz.)	SELO1221	
9	PRESSURE REGULATOR (125 PSI TO 7") NATURAL GAS	REG00095	
10	T87K 1-STAGE MERCURY FREE THERMOSTAT (INCLUDES SUBBASE)	THT02569	
11	T834N 1-STAGE W/FAN SWITCH (STERLING LOGO) MERCURY-FREE THERMOSTAT	THT03088	
12	T8522DD 2-STAGE MERCURY-FREE THERMOSTAT (INCLUDES SUBBASE)	THT03102	
13	T6169C 1-STAGE LINE VOLTAGE (115V) THERMOSTAT W/SUBBASE	THT02339	
14	T822K 1-STAGE MERCURY-FREE THERMOSTAT	THT03089	
15	TG511A UNIVERSAL THERMOSTAT GUARD	GRD00334	
16	24V SPST RELAY	RLY00871	
CONCENTRIC VENT KITS			
	DESCRIPTION	4" (INCH) PART NO.	5" (INCH) PART NO.
17	COMPLETE KIT	KIT15771	KIT16202
	PARTS INCLUDED IN KIT (SOLD SEPARATELY)		
	VENT CAP (FLUE VENT TERMINAL)		
	CONCENTRIC VENT BOX		
18	AIR INLET SCREEN	SRN00996	SRN00997
	DEFLECTOR DISK		
	VENT BOX CLAMP		
19	INLET COLLAR (INCLUDES GASKET AND HARDWARE)	ADP01370	ADP01371
20	TUBE OF HIGH TEMP SEALANT (2.8 oz.)	SELO1221	SELO1221
	ACCESS PANEL GASKET		

Parts List Number :75010489#GTNEUP1

Model Number :GTNE009ATA10000

Part No.	Reference No.	Quantity	Description
75010490_GTNEUP1_225417~P	*		FACTORY & FIELD INSTALLED SECTION PARTS LIST

Parts List Number :75010489#GTNEUP1

Model Number :GTNE009ATA10000

MODEL "GG"			
REPLACEMENT PARTS			
FIELD INSTALLED AND OPTION ITEMS			Rev
			75010490 A
Balloon #:	DESCRIPTION	Mfr #:	
1	NATURAL GAS VALVE, TWO STAGE (UNIT SIZES 60-120)	VAL08918	
2	PROPANE (LP) GAS VALVE, TWO STAGE (UNIT SIZES 60-120)	VAL08920	
3	TOTALLY ENCLOSED FAN MOTOR (UNIT SIZES 60-75)	MOT02230	
4	TOTALLY ENCLOSED FAN MOTOR (UNIT SIZES 90-120)	MOT03782	
5	4" VENT CAP	CAP01224	
6	5" VENT CAP	CAP01225	
7	4" TO 5" VENT ADAPTER (FOR 5" FLUE)	ADP00489	
8	TUBE OF HIGH TEMP SEALANT (2.8 oz.)	SEL01221	
9	PRESSURE REGULATOR (125 PSI TO 7") NATURAL GAS	REG00095	
10	T87K 1-STAGE MERCURY FREE THERMOSTAT (INCLUDES SUBBASE)	THT02569	
11	T834N 1-STAGE W/FAN SWITCH (STERLING LOGO) MERCURY-FREE THERMOSTAT	THT03088	
12	T85220D 2-STAGE MERCURY-FREE THERMOSTAT (INCLUDES SUBBASE)	THT03102	
13	T6169C 1-STAGE LINE VOLTAGE (115V) THERMOSTAT W/SUBBASE	THT02339	
14	T822K 1-STAGE MERCURY-FREE THERMOSTAT	THT03089	
15	TG511A UNIVERSAL THERMOSTAT GUARD	GRD00334	
16	24V SPST RELAY	RLY00871	
CONCENTRIC VENT KITS			
DESCRIPTION	4" (INCH) PART NO.	6" (INCH) PART NO.	
17 COMPLETE KIT	KIT15771	KIT16202	
PARTS INCLUDED IN KIT (SOLD SEPARATELY)			
VENT CAP (FLUE VENT TERMINAL)			
CONCENTRIC VENT BOX			
18 AIR INLET SCREEN	SRN00996	SRN00997	
DEFLECTOR DISK			
VENT BOX CLAMP			
19 INLET COLLAR (INCLUDES GASKET AND HARDWARE)	ADP01370	ADP01371	
20 TUBE OF HIGH TEMP SEALANT (2.8 oz.)	SEL01221	SEL01221	
ACCESS PANEL GASKET			

Part No.	Reference No.	Quantity	Description
CAP01224	5	1	CAP; 4 INCH VENT
CAP01225	6	1	CAP; 5 INCH VENT
ADP00489	7	1	ADAPTER;
SEL01221	8	1	SEALANT; HIGH TEMP (RTV) - 2.8OZ. TUBE
REG00095	9	1	REGULATOR;PRESSURE
THT02569	10	1	TSTAT; ROUND, MERCURY-FREE HEAT ONLY
THT03088	11	1	T834N 1-STAGE W/ FAN SWITCH THERMOSTAT (STERLING LOGO) [G3] *
THT03102	12	1	THERMOSTAT; TH5220D 2-STAGE MERCURY-FREE (INCLUDES SUBBASE)
THT02339	13	1	THERMOSTAT; LIGHT DUTY COMBINATION THERMOSTAT AND SUBBASE,
THT03089	14	1	T822K 1-STAGE THERMOSTAT [G9] *
GRD00334	15	1	GUARD; THERMOSTAT (LOCKING COVER)
RLY00871	16	1	RELAY; SPST, 24 VAC COIL
KIT15771	17	1	CONCENTRIC KIT; VERTICAL, VENT CONCENTRIC, COMPLETE 4 IN; FOR 30-75MBH GT ONLY GAS UNIT HEATERS
KIT16202	17	1	CONCENTRIC VENT KIT; VERTICAL, VENT CONCENTRIC, COMPLETE 4 IN; FOR 90-120 MBH GT ONLY GAS UNIT HEATERS
SRN00996	18	1	SCREEN; AIR INLET
SRN00997	18	1	SCREEN; AIR INLET
ADP01370	19	1	ADAPTER; INLET COLLAR (INCLUDES GASKET AND HARDWARE)
ADP01371	19	1	ADAPTER; INLET COLLAR (INCLUDES GASKET AND HARDWARE)
SEL01221	20	1	SEALANT; HIGH TEMP (RTV) - 2.8OZ. TUBE

CONVERSION KITS SECTION

Parts List Number :75010489#GTNEUP1

Model Number :GTNE009ATA10000

Part No.	Reference No.	Quantity	Description
GTNE1000_GTNEUP1_250147-P	*		CONVERSION KITS SECTION PARTS LIST

NO GRAPHIC AVAILABLE

75013702

REV
A

**NO
GRAPHIC
AVAILABLE**

Parts List Number :75010489#GTNEUP1

Model Number :GTNE009ATA10000

Part No.	Reference No.	Quantity	Description
KIT16092	*	1	KIT; CONVKT NG>LP#36 ORF
KIT16097	*	1	KIT; CONVKT DS LP>NG #31 ORF