

Part No.	Reference No.	Quantity	Description
75010348	SEC 01		MODEL NUMBER DESCRIPTION
75010487	SEC 02		INTERNAL PARTS SECTION
75010488	SEC 03		EXTERNAL PARTS SECTION
75010490	SEC 04		FACTORY & FIELD INSTALLED SECTION
GTNE1000	SEC 05		CONVERSION KITS SECTION

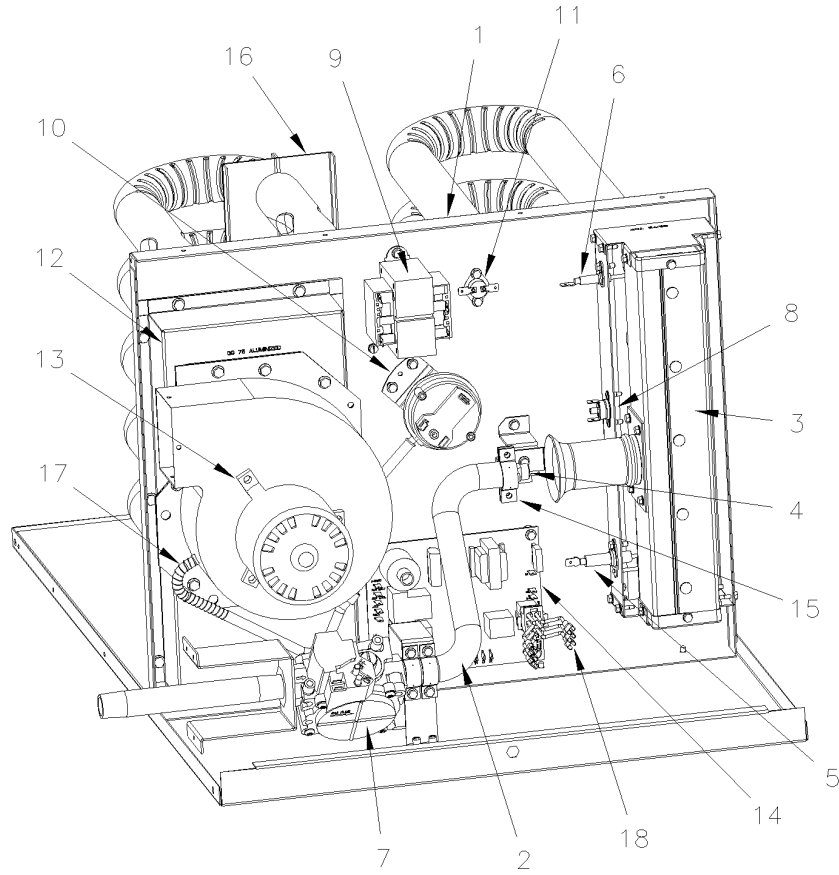
MODEL NUMBER DESCRIPTION	75010348	REV A
Indoor Gas Heating Units Low Profile Tubular Propeller Unit Heaters		
Digit 1 - Gas Heating Equipment	Digit 10 - Design Sequence	
Digit 2 - Unit Type	A = First Design	
T = Low Profile Tubular Propeller		
S = Special		
Digit 3 - Fuel Type	Digit 11 - Heat Exchanger Material	
N = Natural Gas	1 = Standard (Aluminized Steel)	
P = LP Gas (Propane)	2 = 409 Stainless Steel	
S = Special		
Digit 4 - Development Sequence	Digit 12 - Rooftop Arrangements	
E = Fifth Generation	0 = None (Indoor Unit)	
	S = Special	
Digit 5,6,7 - Input Capacity	Digit 13 - Rooftop Heating Unit	
Single Furnace	Motor Selection	
003 = 30 MBh	0 = None (Indoor Unit & Rooftop Duct Furnace)	
004 = 45 MBh	S = Special	
006 = 60 MBh		
007 = 75 MBh	Digit 14 - Rooftop Fan Section	
009 = 90 MBh	0 = None (Indoor Unit & Rooftop Duct Furnace)	
011 = 105 MBh	S = Special	
120 = 120 MBh		
Digit 8 - Main Power Supply	Digit 15 - Miscellaneous Options	
A = 115/60/1	All Units	
B = 230/60/1	0 = None	
C = 208/60/3	B = Orifices for Elevations over 5000 ft.	
D = 230/60/3	C = 409 S/S Draft Diverter	
E = 460/60/3	J = Totally Enclosed Motor	
F = 575/60/3	P = Canadian High Altitude 2000-4500 ft	
G = 208/60/1	T = .75" NPT High Gas Pressure Regulator	
S = Special		
Digit 9 - Gas Control Option		
E = Two Stage, Intermittent Pilot Ignition		
(Input 006-120 Only)		
T = Single Stage, Direct Spark Ignition		
S = Special		

INTERNAL PARTS

75010487

REV
A

*NOT ILLUSTRATED



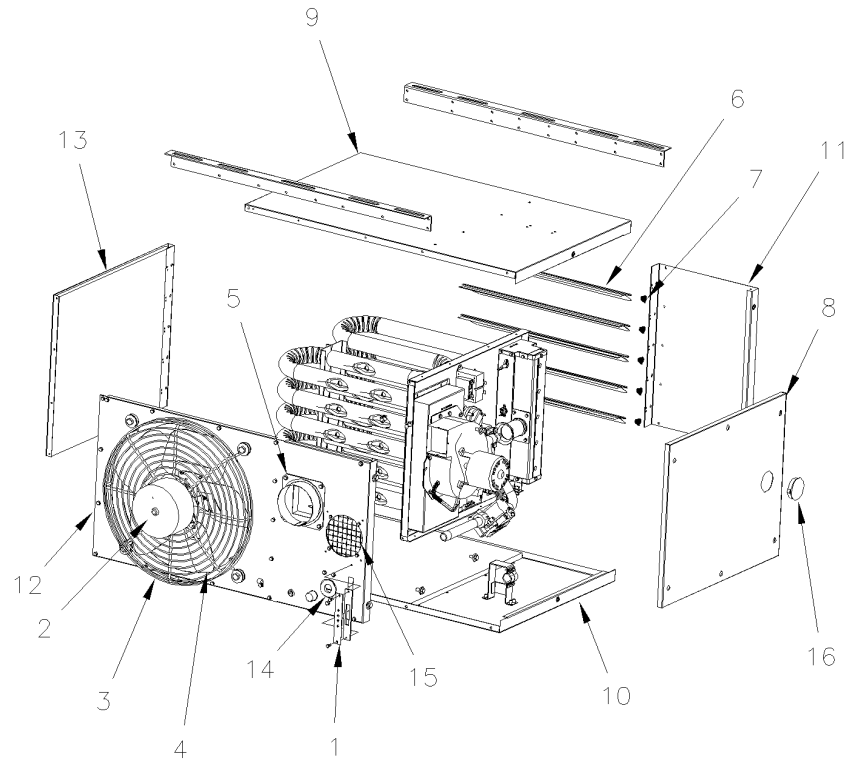
Part No.	Reference No.	Quantity	Description
CAB01184	*	1	CABLE; IGNITION 14 INCHES LONG
EXC02180	1	1	EXCHANGER; HEAT, VESTIBULE PANEL/TUBE ASSY, STAINLESS STEEL
MFD01216	2	1	MANIFOLD; BURNER
BNR01229	3	1	BURNER; ASSEMBLY GG60
ORF01755	4	1	ORIFICE; BURNER SIZE 27
CNT07173	5	1	CONTROL; IGNITOR PROE, DS, 1.250 IN
SEN02145	6	1	SENSOR; FLAME SENSOR, DS, 1.500"
SWT03607	8	1	SWITCH; MANUAL ROLLOUT 250 DEG
TRR01251	9	1	TRANSFORMER; 50VA, 120V PRI., 24V SEC
SWT03704	10	1	SWITCH; PRESSURE SWITCH 1.10" PINK
CNT01284	11	1	CONTROL; HI LIMIT, 100-350 DEGREES, ELEMENT LGTH-9"
FLU00384	12	1	FLUE; COLLECTOR (INCLUDES GASKET)
BLW01343	13	1	BLOWER; POWER VENTER (DRAFTER) ASSEMBLY (INCLUDES GASKET)
BRD03396	14	1	BOARD; CONTROL
CAP01223	15	1	CAP; BRACKET, MANIFOLD
SUP05839	16	1	SUPPORT; TUBE, BRACKET KIT
SPG00875	17	1	SPRING; COMPRESSION; .375 I.D. X .125 NOM. PITCH
CON01299	18	1	CONNECTOR; MOLEX ASSY(LEADS 19 IN LONG)

EXTERNAL PARTS

75010488

REV
A

*NOT ILLUSTRATED



Part No.	Reference No.	Quantity	Description
BLK00615	1	1	BLOCK; 4 TERMINAL, PLATE
MOT07940	2	1	MOTOR; OPEN DRIP, 2.6 AMPS, 120/60, 1/20 HP, 5.12 DIA
FAN04656	3	1	FAN; GUARD 14"WIRE LOWP GG60/75
FAN01113	4	1	FAN; 5 BLADE, 14 DIA, 28 DEG., .38 BORE, CW
ADP01369	5	1	ADAPTER; FLUE COLLAR (INCLUDES GASKET AND HARDWARE)
LVR01157	6	5	LOUVER;
SPG00194	7	5	SPRING; CONE, ADJUSTABLE LOUVERS FOR HORZ. AND VERT.(ORDER QTY EQUALS PIECES)
PNL31458	8	1	PANEL; ACCESS (INCLUDES HARDWARE)
PNL27721	9	1	PANEL; TOP JACKET W/INSULATION
PNL27721	10	1	PANEL; TOP JACKET W/INSULATION
PNL31461	11	1	PANEL; FRONT JACKET
PNL31464	12	1	PANEL; REAR JACKET
PNL31445	13	1	PANEL; 1B JACKET ASY: GG/GS/TL 60-75 LOWP EA LEFT SIDE PANEL W/INSULATION
GRM01037	14	1	GROMMET; GAS INLET
SRN00994	15	1	SCREEN; INLET AIR ASSEMBLY (INCLUDES HARDWARE)
GLS01083	16	1	GLASS; PEEP HOLE SIGHT

MODEL "GG"			
REPLACEMENT PARTS			
FIELD INSTALLED AND OPTION ITEMS			Rev
			75010490 A
Balloon #:	DESCRIPTION	Mfr #:	
1	NATURAL GAS VALVE, TWO STAGE (UNIT SIZES 60-120)	VAL08918	
2	PROPANE (LP) GAS VALVE, TWO STAGE (UNIT SIZES 60-120)	VAL08920	
3	TOTALLY ENCLOSED FAN MOTOR (UNIT SIZES 60-75)	MOT02230	
4	TOTALLY ENCLOSED FAN MOTOR (UNIT SIZES 90-120)	MOT03782	
5	4" VENT CAP	CAPO1224	
6	5" VENT CAP	CAPO1225	
7	4" TO 5" VENT ADAPTER (FOR 5" FLUE)	ADPO0489	
8	TUBE OF HIGH TEMP SEALANT (2.8 oz.)	SELO1221	
9	PRESSURE REGULATOR (125 PSI TO 7") NATURAL GAS	REG00095	
10	T87K 1-STAGE MERCURY FREE THERMOSTAT (INCLUDES SUBBASE)	THT02569	
11	T834N 1-STAGE W/FAN SWITCH (STERLING LOGO) MERCURY-FREE THERMOSTAT	THT03088	
12	T85220D 2-STAGE MERCURY-FREE THERMOSTAT (INCLUDES SUBBASE)	THT03102	
13	T6169C 1-STAGE LINE VOLTAGE (115V) THERMOSTAT W/SUBBASE	THT02339	
14	T822K 1-STAGE MERCURY-FREE THERMOSTAT	THT03089	
15	TG511A UNIVERSAL THERMOSTAT GUARD	GRD00334	
16	24V SPST RELAY	RLY00871	
CONCENTRIC VENT KITS			
DESCRIPTION	4" (INCH) PART NO.	6" (INCH) PART NO.	
17	COMPLETE KIT	KIT15771	KIT16202
PARTS INCLUDED IN KIT (SOLD SEPARATELY)			
VENT CAP (FLUE VENT TERMINAL)			
CONCENTRIC VENT BOX			
18	AIR INLET SCREEN	SRN00996	SRN00997
DEFLECTOR DISK			
VENT BOX CLAMP			
19	INLET COLLAR (INCLUDES GASKET AND HARDWARE)	ADPO1370	ADPO1371
20	TUBE OF HIGH TEMP SEALANT (2.8 oz.)	SELO1221	SELO1221
ACCESS PANEL GASKET			

Part No.	Reference No.	Quantity	Description
CAP01224	5	1	CAP; 4 INCH VENT
CAP01225	6	1	CAP; 5 INCH VENT
ADP00489	7	1	ADAPTER;
SEL01221	8	1	SEALANT; HIGH TEMP (RTV) - 2.8OZ. TUBE
REG00095	9	1	REGULATOR;PRESSURE
THT02569	10	1	TSTAT; ROUND, MERCURY-FREE HEAT ONLY
THT03088	11	1	T834N 1-STAGE W/ FAN SWITCH THERMOSTAT (STERLING LOGO) [G3] *
THT03102	12	1	THERMOSTAT; TH5220D 2-STAGE MERCURY-FREE (INCLUDES SUBBASE)
THT02339	13	1	THERMOSTAT; LIGHT DUTY COMBINATION THERMOSTAT AND SUBBASE,
THT03089	14	1	T822K 1-STAGE THERMOSTAT [G9] *
GRD00334	15	1	GUARD; THERMOSTAT (LOCKING COVER)
RLY00871	16	1	RELAY; SPST, 24 VAC COIL
KIT15771	17	1	CONCENTRIC KIT; VERTICAL, VENT CONCENTRIC, COMPLETE 4 IN; FOR 30-75MBH GT ONLY GAS UNIT HEATERS
KIT16202	17	1	CONCENTRIC VENT KIT; VERTICAL, VENT CONCENTRIC, COMPLETE 4 IN; FOR 90-120 MBH GT ONLY GAS UNIT HEATERS
SRN00996	18	1	SCREEN; AIR INLET
SRN00997	18	1	SCREEN; AIR INLET
ADP01370	19	1	ADAPTER; INLET COLLAR (INCLUDES GASKET AND HARDWARE)
ADP01371	19	1	ADAPTER; INLET COLLAR (INCLUDES GASKET AND HARDWARE)
SEL01221	20	1	SEALANT; HIGH TEMP (RTV) - 2.8OZ. TUBE

Part No.	Reference No.	Quantity	Description
KIT15970	*	1	KIT; Lp to Natural gas conversion
KIT16090	*	1	KIT; CONVKT NG>LP#43 ORF