

| <b>Part No.</b>           | <b>Reference No.</b> | <b>Quantity</b> | <b>Description</b>                |
|---------------------------|----------------------|-----------------|-----------------------------------|
| GTNE1000#GTNEUP1~S        | *                    |                 | CONVERSION KITS SECTION           |
| 75010488#GTNEUP1~S        | *                    |                 | EXTERNAL PARTS SECTION            |
| 75010490#GTNEUP1~S        | *                    |                 | FACTORY & FIELD INSTALLED SECTION |
| 75010487#GTNEUP1~S        | *                    |                 | INTERNAL PARTS SECTION            |
| 75010348#GTNEUP1~S        | *                    |                 | MODEL NUMBER DESCRIPTION          |
| 75010489_GTNEUP1_198815~P | *                    |                 | TOP LEVEL GRAPHIC PARTS LIST      |

NO GRAPHIC AVAILABLE

75013702

REV  
A

**NO  
GRAPHIC  
AVAILABLE**

MODEL NUMBER DESCRIPTION

75010348

REV  
A

Indoor Gas Heating Units  
Low Profile Tubular Propeller Unit Heaters

Digit 1 - Gas Heating Equipment

Digit 2 - Unit Type

T = Low Profile Tubular Propeller  
S = Special

Digit 3 - Fuel Type

N = Natural Gas  
P = LP Gas (Propane)  
S = Special

Digit 4 - Development Sequence

E = Fifth Generation

Digit 5,6,7 - Input Capacity  
Single Furnace

003 = 30 MBh  
004 = 45 MBh  
006 = 60 MBh  
007 = 75 MBh  
009 = 90 MBh  
011 = 105 MBh  
120 = 120 MBh

Digit 8 - Main Power Supply

A = 115/60/1  
B = 230/60/1  
C = 208/60/3  
D = 230/60/3  
E = 460/60/3  
F = 575/60/3  
G = 208/60/1  
S = Special

Digit 9 - Gas Control Option

E = Two Stage, Intermittent Pilot Ignition  
(Input 006-120 Only)  
T = Single Stage, Direct Spark Ignition  
S = Special

Digit 10 - Design Sequence

A = First Design

Digit 11 - Heat Exchanger Material

1 = Standard (Aluminized Steel)  
2 = 409 Stainless Steel

Digit 12 - Rooftop Arrangements

0 = None (Indoor Unit)  
S = Special

Digit 13 - Rooftop Heating Unit

Motor Selection

0 = None (Indoor Unit & Rooftop Duct Furnace)  
S = Special

Digit 14 - Rooftop Fan Section

0 = None (Indoor Unit & Rooftop Duct Furnace)  
S = Special

Digit 15 - Miscellaneous Options

All Units

0 = None  
B = Orifices for Elevations over 5000 ft.  
C = 409 S/S Draft Diverter  
J = Totally Enclosed Motor  
P = Canadian High Altitude 2000-4500 ft  
T = .75" NPT High Gas Pressure Regulator

| Part No.                  | Reference No. | Quantity | Description                         |
|---------------------------|---------------|----------|-------------------------------------|
| 75010348_GTNEUP1_198816~P | *             |          | MODEL NUMBER DESCRIPTION PARTS LIST |

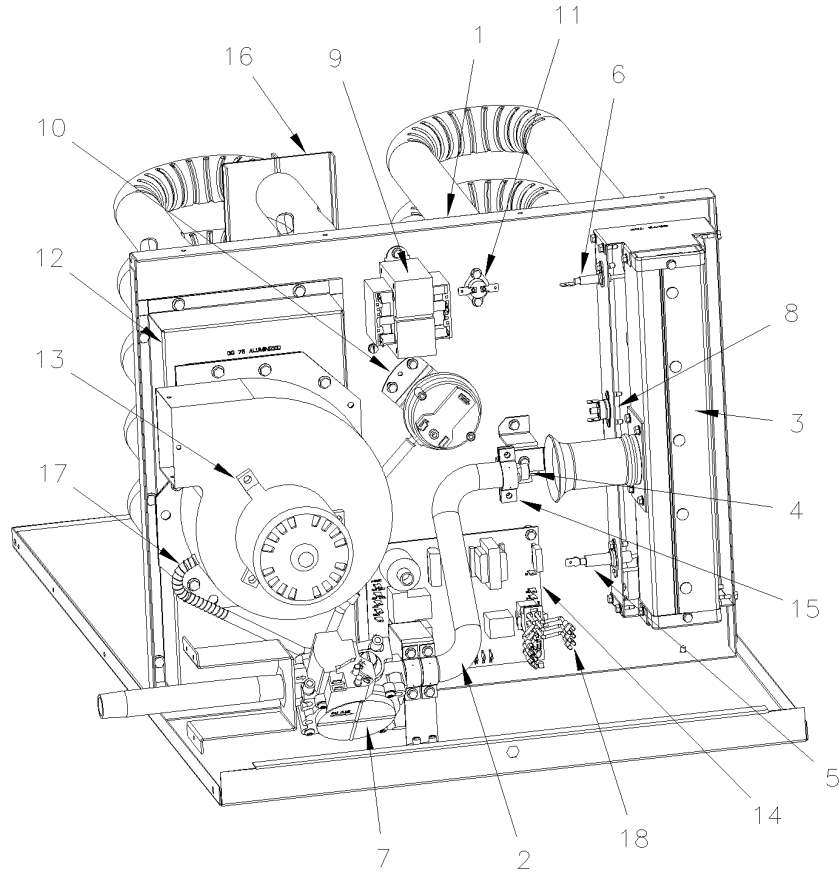
| MODEL NUMBER DESCRIPTION   |   | 75010348 | REV<br>A |
|--|---|----------|----------|
| Indoor Gas Heating Units<br>Low Profile Tubular Propeller Unit Heaters |   |          |          |
| Digit 1 - Gas Heating Equipment  | Digit 10 - Design Sequence                    |          |          |
| Digit 2 - Unit Type  | A = First Design                              |          |          |
| T = Low Profile Tubular Propeller                                      |   |          |          |
| S = Special  | Digit 11 - Heat Exchanger Material            |          |          |
|  | 1 = Standard (Aluminized Steel)               |          |          |
| Digit 3 - Fuel Type  | 2 = 409 Stainless Steel                       |          |          |
| N = Natural Gas  | Digit 12 - Rooftop Arrangements               |          |          |
| P = LP Gas (Propane)   | 0 = None (Indoor Unit)                        |          |          |
| S = Special  | S = Special                                   |          |          |
| Digit 4 - Development Sequence   | Digit 13 - Rooftop Heating Unit               |          |          |
| E = Fifth Generation   | Motor Selection                               |          |          |
| Digit 5,6,7 - Input Capacity   | 0 = None (Indoor Unit & Rooftop Duct Furnace) |          |          |
| Single Furnace   | S = Special                                   |          |          |
| 003 = 30 MBh   | Digit 14 - Rooftop Fan Section                |          |          |
| 004 = 45 MBh   | 0 = None (Indoor Unit & Rooftop Duct Furnace) |          |          |
| 006 = 60 MBh   | S = Special                                   |          |          |
| 007 = 75 MBh   | Digit 15 - Miscellaneous Options              |          |          |
| 009 = 90 MBh   | All Units                                     |          |          |
| 011 = 105 MBh  | 0 = None                                      |          |          |
| 120 = 120 MBh  | B = Orifices for Elevations over 5000 ft.     |          |          |
| Digit 8 - Main Power Supply  | C = 409 S/S Draft Diverter                    |          |          |
| A = 115/60/1   | J = Totally Enclosed Motor                    |          |          |
| B = 230/60/1   | P = Canadian High Altitude 2000-4500 ft       |          |          |
| C = 208/60/3   | T = .75" NPT High Gas Pressure Regulator      |          |          |
| D = 230/60/3   |   |          |          |
| E = 460/60/3   |   |          |          |
| F = 575/60/3   |   |          |          |
| G = 208/60/1   |   |          |          |
| S = Special  |   |          |          |
| Digit 9 - Gas Control Option   |   |          |          |
| E = Two Stage, Intermittent Pilot Ignition                             |   |          |          |
| (Input 006-120 Only)   |   |          |          |
| T = Single Stage, Direct Spark Ignition                                |   |          |          |
| S = Special  |   |          |          |

INTERNAL PARTS

75010487

REV  
A

\*NOT ILLUSTRATED



INTERNAL PARTS SECTION

Parts List Number :75010489#GTNEUP1

Model Number :GTNE006ATA1000

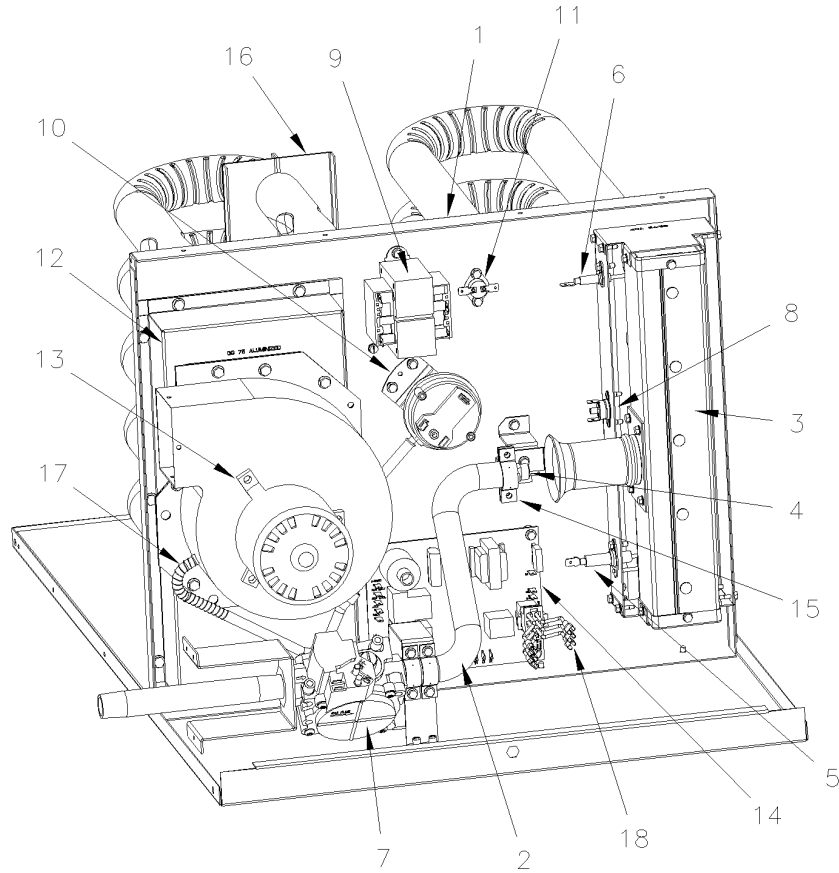
| Part No.                  | Reference No. | Quantity | Description                       |
|---------------------------|---------------|----------|-----------------------------------|
| 75010487_GTNEUP1_250301~P | *             |          | INTERNAL PARTS SECTION PARTS LIST |

INTERNAL PARTS

75010487

REV  
A

\*NOT ILLUSTRATED



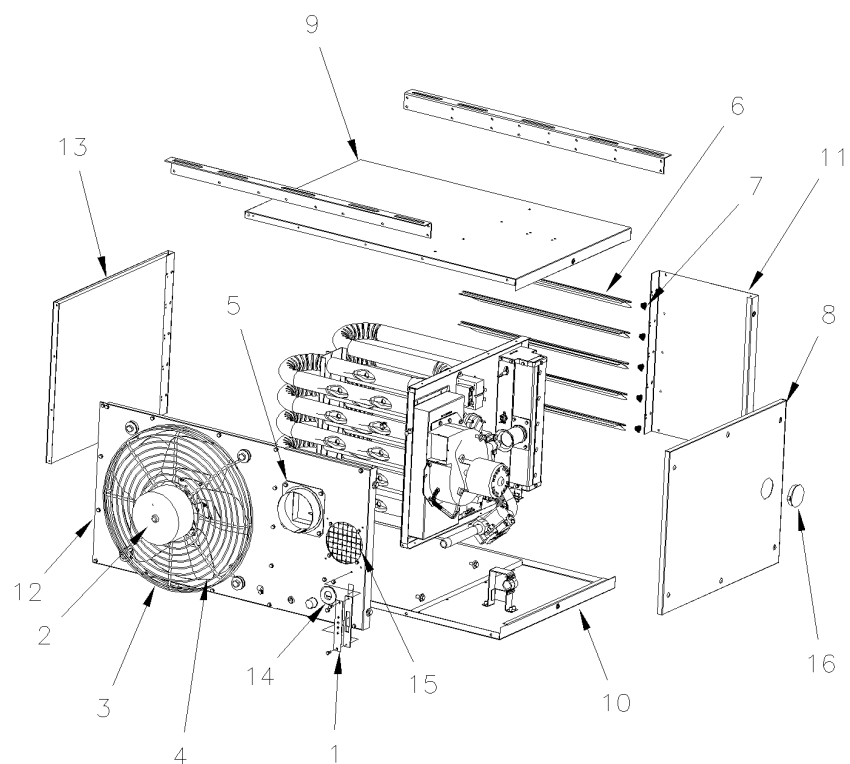
| Part No. | Reference No. | Quantity | Description   |
|----------|---------------|----------|---|
| CAB01184 | *             | 1        | CABLE; IGNITION 14 INCHES LONG                            |
| EXC02173 | 1             | 1        | EXCHANGER; HEAT, VESTIBULE PANEL/TUBE ASSY, ALUMINIZED    |
| MFD01216 | 2             | 1        | MANIFOLD; BURNER  |
| BNR01229 | 3             | 1        | BURNER; ASSEMBLY GG60                                     |
| ORF01755 | 4             | 1        | ORIFICE; BURNER SIZE 27                                   |
| CNT07173 | 5             | 1        | CONTROL; IGNITOR PROE, DS, 1.250 IN                       |
| SEN02145 | 6             | 1        | SENSOR; FLAME SENSOR, DS, 1.500"                          |
| VAL08914 | 7             | 1        | VALVE; SINGLE STAGE NATURAL GAS                           |
| SWT03607 | 8             | 1        | SWITCH; MANUAL ROLLOUT 250 DEG                            |
| TRR01251 | 9             | 1        | TRANSFORMER; 50VA, 120V PRI., 24V SEC                     |
| CNT01284 | 11            | 1        | CONTROL; HI LIMIT, 100-350 DEGREES, ELEMENT LGTH-9"       |
| FLU00377 | 12            | 1        | FLUE; COLLECTOR (INCLUDES GASKET)                         |
| BLW01343 | 13            | 1        | BLOWER; POWER VENTER (DRAFTER) ASSEMBLY (INCLUDES GASKET) |
| BRD03396 | 14            | 1        | BOARD; CONTROL  |
| CAP01223 | 15            | 1        | CAP; BRACKET, MANIFOLD                                    |
| SUP05839 | 16            | 1        | SUPPORT; TUBE, BRACKET KIT                                |
| SPG00875 | 17            | 1        | SPRING; COMPRESSION; .375 I.D. X .125 NOM. PITCH          |
| CON01299 | 18            | 1        | CONNECTOR; MOLEX ASSY(LEADS 19 IN LONG)                   |

EXTERNAL PARTS

75010488

REV  
A

\*NOT ILLUSTRATED



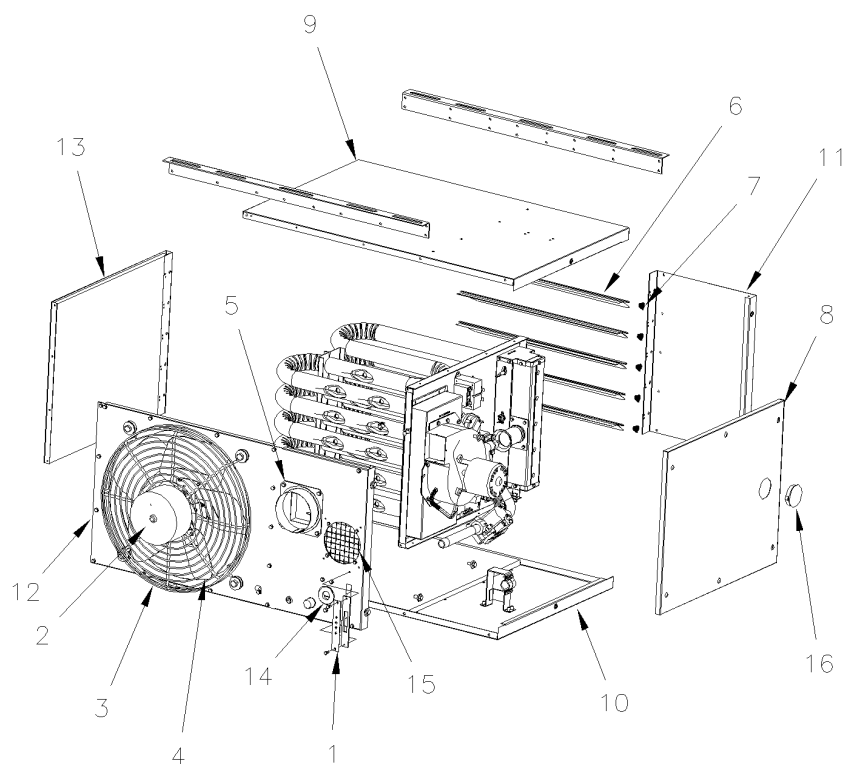
| Part No.                  | Reference No. | Quantity | Description                       |
|---------------------------|---------------|----------|-----------------------------------|
| 75010488_GTNEUP1_250302~P | *             |          | EXTERNAL PARTS SECTION PARTS LIST |

EXTERNAL PARTS

75010488

REV  
A

\*NOT ILLUSTRATED



| Part No. | Reference No. | Quantity | Description   |
|----------|---------------|----------|---|
| BLK00615 | 1             | 1        | BLOCK; 4 TERMINAL, PLATE  |
| FAN04656 | 3             | 1        | FAN; GUARD 14"WIRE LOWP GG60/75   |
| FAN01113 | 4             | 1        | FAN; 5 BLADE,14 DIA, 28 DEG.,38 BORE, CW                                      |
| ADP01369 | 5             | 1        | ADAPTER; FLUE COLLAR (INCLUDES GASKET AND HARDWARE)                           |
| LVR01157 | 6             | 5        | LOUVER;   |
| SPG00194 | 7             | 5        | SPRING; CONE, ADJUSTABLE LOUVERS FOR HORZ. AND VERT.(ORDER QTY EQUALS PIECES) |
| PNL31458 | 8             | 1        | PANEL; ACCESS (INCLUDES HARDWARE)   |
| PNL27721 | 9             | 1        | PANEL; TOP JACKET W/INSULATION  |
| PNL27721 | 10            | 1        | PANEL; TOP JACKET W/INSULATION  |
| PNL31461 | 11            | 1        | PANEL; FRONT JACKET   |
| PNL31464 | 12            | 1        | PANEL; REAR JACKET  |
| PNL31445 | 13            | 1        | PANEL; 1B JACKT ASY: GG/GS/TL 60-75 LOWP EA LEFT SIDE<br>PANEL W/INSULATION   |
| GRM01037 | 14            | 1        | GROMMET; GAS INLET  |
| SRN00994 | 15            | 1        | SCREEN; INLET AIR ASSEMBLY (INCLUDES HARDWARE)                                |
| GLS01083 | 16            | 1        | GLASS; PEEP HOLE SIGHT  |

| MODEL "GG"                       |  |                           |                           |
|----------------------------------|--|---------------------------|---------------------------|
| REPLACEMENT PARTS                |  |                           |                           |
| FIELD INSTALLED AND OPTION ITEMS |  | 75010490                  | Rev<br>A                  |
| Balloon #:                       | DESCRIPTION  | Mfr #:                    |                           |
| 1                                | NATURAL GAS VALVE, TWO STAGE (UNIT SIZES 60-120)                   | VAL08918                  |                           |
| 2                                | PROPANE (LP) GAS VALVE, TWO STAGE (UNIT SIZES 60-120)              | VAL08920                  |                           |
| 3                                | TOTALLY ENCLOSED FAN MOTOR (UNIT SIZES 60-75)                      | MOT02230                  |                           |
| 4                                | TOTALLY ENCLOSED FAN MOTOR (UNIT SIZES 90-120)                     | MOT03782                  |                           |
| 5                                | 4" VENT CAP  | CAPO1224                  |                           |
| 6                                | 5" VENT CAP  | CAPO1225                  |                           |
| 7                                | 4" TO 5" VENT ADAPTER (FOR 5" FLUE)                                | ADPO0489                  |                           |
| 8                                | TUBE OF HIGH TEMP SEALANT (2.8 oz.)                                | SELO1221                  |                           |
| 9                                | PRESSURE REGULATOR (125 PSI TO 7") NATURAL GAS                     | REG00095                  |                           |
| 10                               | T87K 1-STAGE MERCURY FREE THERMOSTAT (INCLUDES SUBBASE)            | THT02569                  |                           |
| 11                               | T834N 1-STAGE W/FAN SWITCH (STERLING LOGO) MERCURY-FREE THERMOSTAT | THT03088                  |                           |
| 12                               | T8522DD 2-STAGE MERCURY-FREE THERMOSTAT (INCLUDES SUBBASE)         | THT03102                  |                           |
| 13                               | T6169C 1-STAGE LINE VOLTAGE (115V) THERMOSTAT W/SUBBASE            | THT02339                  |                           |
| 14                               | T822K 1-STAGE MERCURY-FREE THERMOSTAT                              | THT03089                  |                           |
| 15                               | TG511A UNIVERSAL THERMOSTAT GUARD                                  | GRD00334                  |                           |
| 16                               | 24V SPST RELAY   | RLY00871                  |                           |
| <b>CONCENTRIC VENT KITS</b>      |  |                           |                           |
|                                  | <b>DESCRIPTION</b>   | <b>4" (INCH) PART NO.</b> | <b>6" (INCH) PART NO.</b> |
| 17                               | COMPLETE KIT   | KIT15771                  | KIT16202                  |
|                                  | <b>PARTS INCLUDED IN KIT (SOLD SEPARATELY)</b>                     |                           |                           |
|                                  | VENT CAP (FLUE VENT TERMINAL)                                      |                           |                           |
|                                  | CONCENTRIC VENT BOX  |                           |                           |
| 18                               | AIR INLET SCREEN   | SRN00996                  | SRN00997                  |
|                                  | DEFLECTOR DISK   |                           |                           |
|                                  | VENT BOX CLAMP   |                           |                           |
| 19                               | INLET COLLAR (INCLUDES GASKET AND HARDWARE)                        | ADPO1370                  | ADPO1371                  |
| 20                               | TUBE OF HIGH TEMP SEALANT (2.8 oz.)                                | SELO1221                  | SELO1221                  |
|                                  | ACCESS PANEL GASKET  |                           |                           |

| Part No.                  | Reference No. | Quantity | Description                                  |
|---------------------------|---------------|----------|--|
| 75010490_GTNEUP1_225417~P | *             |          | FACTORY & FIELD INSTALLED SECTION PARTS LIST |

Parts List Number :75010489#GTNEUP1

Model Number :GTNE006ATA1000

| MODEL "GG"                                     |  |                    |            |
|--|--|--------------------|------------|
| REPLACEMENT PARTS                              |  |                    |            |
| FIELD INSTALLED AND OPTION ITEMS               |  |                    | Rev        |
|  |  |                    | 75010490 A |
| Balloon #:                                     | DESCRIPTION  | Mfr #:             |            |
| 1  | NATURAL GAS VALVE, TWO STAGE (UNIT SIZES 60-120)                   | VAL08918           |            |
| 2  | PROPANE (LP) GAS VALVE, TWO STAGE (UNIT SIZES 60-120)              | VAL08920           |            |
| 3  | TOTALLY ENCLOSED FAN MOTOR (UNIT SIZES 60-75)                      | MOT02230           |            |
| 4  | TOTALLY ENCLOSED FAN MOTOR (UNIT SIZES 90-120)                     | MOT03782           |            |
| 5  | 4" VENT CAP  | CAP01224           |            |
| 6  | 5" VENT CAP  | CAP01225           |            |
| 7  | 4" TO 5" VENT ADAPTER (FOR 5" FLUE)                                | ADP00489           |            |
| 8  | TUBE OF HIGH TEMP SEALANT (2.8 oz.)                                | SEL01221           |            |
| 9  | PRESSURE REGULATOR (125 PSI TO 7") NATURAL GAS                     | REG00095           |            |
| 10   | T87K 1-STAGE MERCURY FREE THERMOSTAT (INCLUDES SUBBASE)            | THT02569           |            |
| 11   | T834N 1-STAGE W/FAN SWITCH (STERLING LOGO) MERCURY-FREE THERMOSTAT | THT03088           |            |
| 12   | T85220D 2-STAGE MERCURY-FREE THERMOSTAT (INCLUDES SUBBASE)         | THT03102           |            |
| 13   | T6169C 1-STAGE LINE VOLTAGE (115V) THERMOSTAT W/SUBBASE            | THT02339           |            |
| 14   | T822K 1-STAGE MERCURY-FREE THERMOSTAT                              | THT03089           |            |
| 15   | TG511A UNIVERSAL THERMOSTAT GUARD                                  | GRD00334           |            |
| 16   | 24V SPST RELAY   | RLY00871           |            |
| CONCENTRIC VENT KITS                           |  |                    |            |
| DESCRIPTION                                    | 4" (INCH) PART NO.   | 5" (INCH) PART NO. |            |
| 17 COMPLETE KIT                                | KIT15771   | KIT16202           |            |
| <b>PARTS INCLUDED IN KIT (SOLD SEPARATELY)</b> |  |                    |            |
| VENT CAP (FLUE VENT TERMINAL)                  |  |                    |            |
| CONCENTRIC VENT BOX                            |  |                    |            |
| 18 AIR INLET SCREEN                            | SRN00996   | SRN00997           |            |
| DEFLECTOR DISK                                 |  |                    |            |
| VENT BOX CLAMP                                 |  |                    |            |
| 19 INLET COLLAR (INCLUDES GASKET AND HARDWARE) | ADP01370   | ADP01371           |            |
| 20 TUBE OF HIGH TEMP SEALANT (2.8 oz.)         | SEL01221   | SEL01221           |            |
| ACCESS PANEL GASKET                            |  |                    |            |

| Part No. | Reference No. | Quantity | Description  |
|----------|---------------|----------|--|
| CAP01224 | 5             | 1        | CAP; 4 INCH VENT   |
| CAP01225 | 6             | 1        | CAP; 5 INCH VENT   |
| ADP00489 | 7             | 1        | ADAPTER;   |
| SEL01221 | 8             | 1        | SEALANT; HIGH TEMP (RTV) - 2.8OZ. TUBE   |
| REG00095 | 9             | 1        | REGULATOR;PRESSURE   |
| THT02569 | 10            | 1        | TSTAT; ROUND, MERCURY-FREE HEAT ONLY   |
| THT03088 | 11            | 1        | T834N 1-STAGE W/ FAN SWITCH THERMOSTAT (STERLING LOGO) [G3] *  |
| THT03102 | 12            | 1        | THERMOSTAT; TH5220D 2-STAGE MERCURY-FREE (INCLUDES SUBBASE)  |
| THT02339 | 13            | 1        | THERMOSTAT; LIGHT DUTY COMBINATION THERMOSTAT AND SUBBASE,   |
| THT03089 | 14            | 1        | T822K 1-STAGE THERMOSTAT [G9] *  |
| GRD00334 | 15            | 1        | GUARD; THERMOSTAT (LOCKING COVER)  |
| RLY00871 | 16            | 1        | RELAY; SPST, 24 VAC COIL   |
| KIT15771 | 17            | 1        | CONCENTRIC KIT; VERTICAL, VENT CONCENTRIC, COMPLETE 4 IN; FOR 30-75MBH GT ONLY GAS UNIT HEATERS        |
| KIT16202 | 17            | 1        | CONCENTRIC VENT KIT; VERTICAL, VENT CONCENTRIC, COMPLETE 4 IN; FOR 90-120 MBH GT ONLY GAS UNIT HEATERS |
| SRN00996 | 18            | 1        | SCREEN; AIR INLET  |
| SRN00997 | 18            | 1        | SCREEN; AIR INLET  |
| ADP01370 | 19            | 1        | ADAPTER; INLET COLLAR (INCLUDES GASKET AND HARDWARE)   |
| ADP01371 | 19            | 1        | ADAPTER; INLET COLLAR (INCLUDES GASKET AND HARDWARE)   |
| SEL01221 | 20            | 1        | SEALANT; HIGH TEMP (RTV) - 2.8OZ. TUBE   |

CONVERSION KITS SECTION

Parts List Number :75010489#GTNEUP1

Model Number :GTNE006ATA1000

| Part No.                  | Reference No. | Quantity | Description                        |
|---------------------------|---------------|----------|------------------------------------|
| GTNE1000_GTNEUP1_250304-P | *             |          | CONVERSION KITS SECTION PARTS LIST |

NO GRAPHIC AVAILABLE

75013702

REV  
A

**NO  
GRAPHIC  
AVAILABLE**

Parts List Number :75010489#GTNEUP1

Model Number :GTNE006ATA1000

| <b>Part No.</b> | <b>Reference No.</b> | <b>Quantity</b> | <b>Description</b>                |
|-----------------|----------------------|-----------------|-----------------------------------|
| KIT15970        | *                    | 1               | KIT; Lp to Natural gas conversion |
| KIT16090        | *                    | 1               | KIT; CONVKT NG>LP#43 ORF          |