

Part No.	Reference No.	Quantity	Description
75004058#GTNDUP1~S	*		CONTROL BOX ASM & RH SIDE PANEL
75004054#GTNDUP1~S	*		HEAT EXCHANGER END VIEW
75004069#GTNDUP1~S	*		HEAT EXCHANGER END VIEW
75004052#GTNDUP1~S	*		LOUVER END VIEW
75004061#GTNDUP1~S	*		LOUVER END VIEW
75004067#GTNDUP1~S	*		LOUVER END VIEW
75004057#GTNDUP1~S	*		MANIFOLD BURNER ASM
75004063#GTNDUP1~S	*		MANIFOLD BURNER ASM
75004180#GTNDUP1~S	*		MODEL NUMBER DESCRIPTION
75004070#GTNDUP1~S	*		POWER DRAFTER VENT ASSEMBLY
GTND0002#GTNDUP1~S	*		REPLACEMENT PARTS
75004053#GTNDUP1~S	*		TOP AND BOTTOM VIEW
75004062#GTNDUP1~S	*		TOP AND BOTTOM VIEW
75004068#GTNDUP1~S	*		TOP AND BOTTOM VIEW
GTND0001_GTNDUP1_127497~ P	*		TOP LEVEL PARENT PARTS LIST

NO GRAPHIC AVAILABLE

75013702

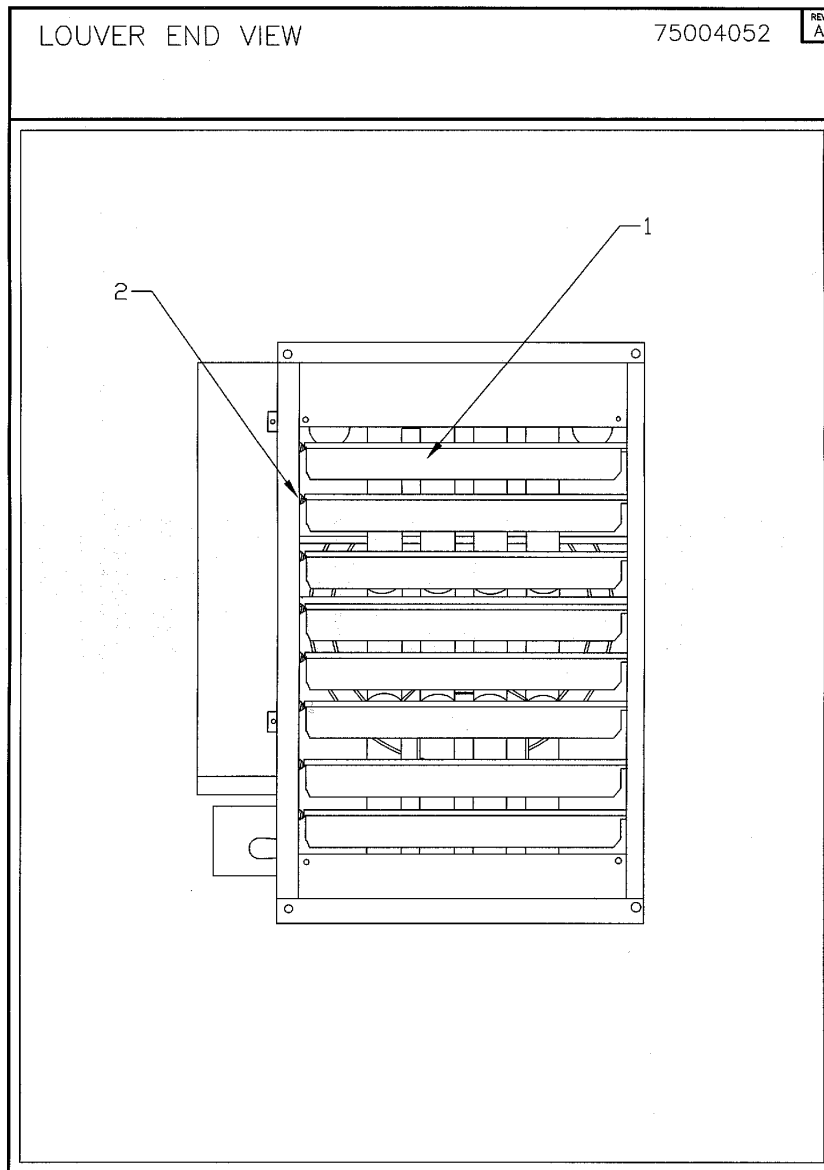
REV
A

**NO
GRAPHIC
AVAILABLE**

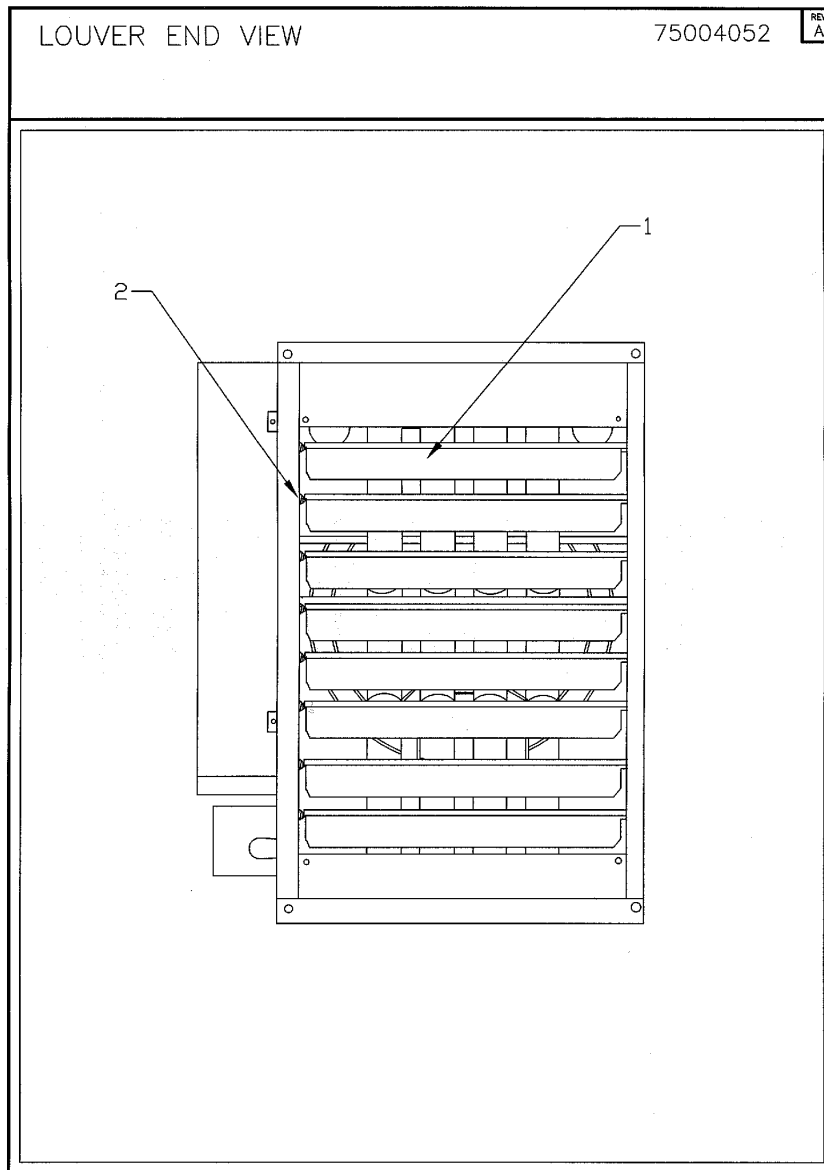
MODEL NUMBER DESCRIPTION		75004180	REV C
Indoor Gas Heating Units Tubular Heat Exchanger			
Digit 1 -- Gas Heating Equipment	Digit 10 -- Design Sequence		
Digit 2 -- Unit Type	E = Fifth Design		
T = Tubular Heat Exchanger Unit Heater	F = Sixth Design		
S = Special	Digit 11 -- Heat Exchanger Material		
Digit 3 -- Fuel	1 = Aluminized Steel		
N = Natural Gas	S = Special		
P = LP Gas (Propane)	Digit 12 -- Rooftop Arrangements		
S = Special	0 = None (Indoor Unit)		
Digit 4 -- Design Sequence	S = Special		
D = Fourth Generation	Digit 13 -- Rooftop Heating Unit Motor Selection		
Digit 5,6,7 -- Input Capacity	S = Special		
Single Furnace	0 = None (Indoor Unit & Rooftop Duct Furnace)		
003 = 30 MBh 017 = 175 MBh	Digit 14 -- Rooftop Fan Section		
004 = 46 MBh 020 = 200 MBh	0 = None (Indoor Unit & Rooftop Duct Furnace)		
005 = 50 MBh 025 = 250 MBh	S = Special		
006 = 60 MBh 030 = 300 MBh	Digit 15 -- Miscellaneous Options		
007 = 75 MBh 035 = 350 MBh	All Units		
010 = 100 MBh 040 = 400 MBh	0 = None		
012 = 125 MBh	S = Special		
015 = 150 MBh	B = Orifices for Elevations over 2000 ft.		
RD3 = 30 MBh	D = Summer-Winter Switch		
RD4 = 45 MBh	Tubular Units		
RD6 = 60 MBh	J = Totally Enclosed Motor		
RD7 = 75 MBh	7 = OSHA Fan Guard		
Digit 8 -- Main Power Supply			
A = 115/60/1			
S = Special			
Digit 9 -- Gas Control Option			
E = Two Stage, Intermittent Pilot Ignition Spark Ignited Pilot			
K = Single Stage, Hot Surface Pilot Ignition			
T = Single Stage, Direct Spark Ignition			
S = Special			

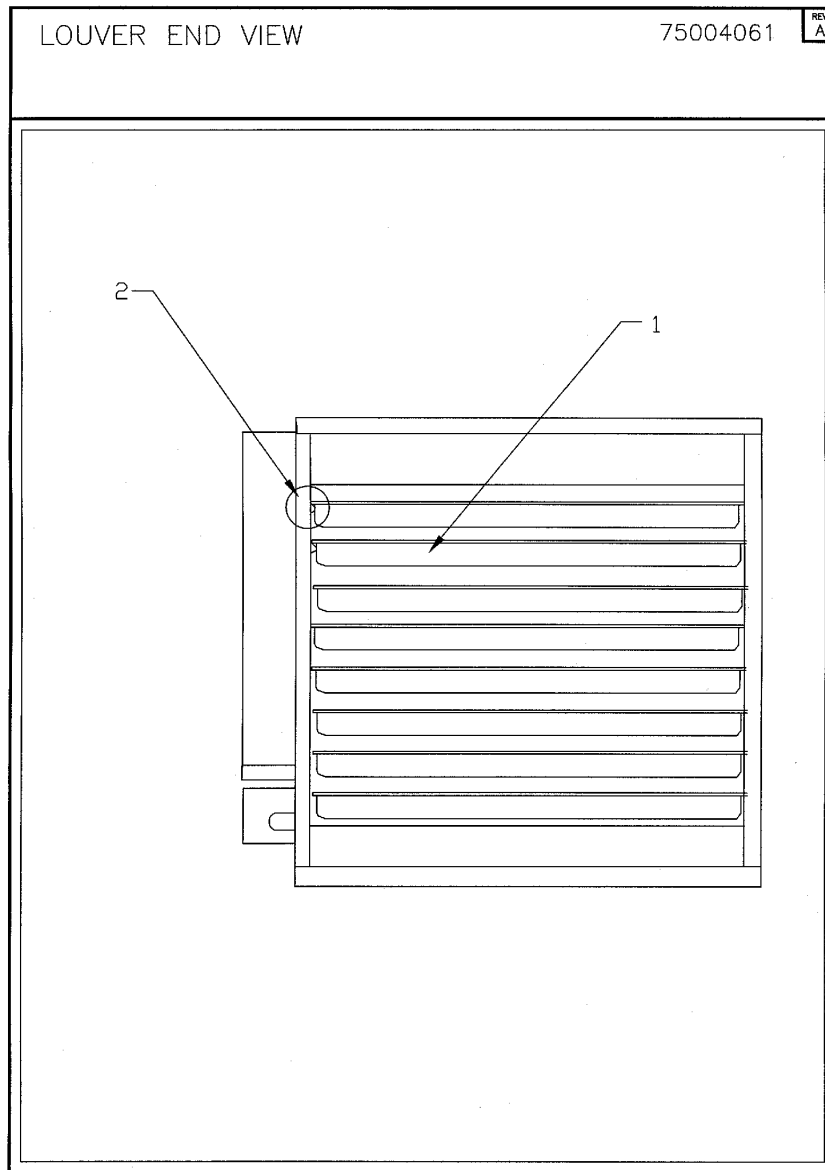
Part No.	Reference No.	Quantity	Description
75004180_GTNDUP1_125553~P	*		MODEL NUMBER DESCRIPTION PARTS LIST

MODEL NUMBER DESCRIPTION		75004180	REV C
Indoor Gas Heating Units Tubular Heat Exchanger			
Digit 1 -- Gas Heating Equipment	Digit 10 -- Design Sequence		
Digit 2 -- Unit Type	E = Fifth Design		
T = Tubular Heat Exchanger Unit Heater	F = Sixth Design		
S = Special	Digit 11 -- Heat Exchanger Material		
Digit 3 -- Fuel	1 = Aluminized Steel		
N = Natural Gas	S = Special		
P = LP Gas (Propane)	Digit 12 -- Rooftop Arrangements		
S = Special	0 = None (Indoor Unit)		
Digit 4 -- Design Sequence	S = Special		
D = Fourth Generation	Digit 13 -- Rooftop Heating Unit Motor Selection		
Digit 5,6,7 -- Input Capacity	S = Special		
Single Furnace	0 = None (Indoor Unit & Rooftop Duct Furnace)		
003 = 30 MBh 017 = 175 MBh	Digit 14 -- Rooftop Fan Section		
004 = 46 MBh 020 = 200 MBh	0 = None (Indoor Unit & Rooftop Duct Furnace)		
005 = 50 MBh 025 = 250 MBh	S = Special		
006 = 60 MBh 030 = 300 MBh	Digit 15 -- Miscellaneous Options		
007 = 75 MBh 035 = 350 MBh	All Units		
010 = 100 MBh 040 = 400 MBh	0 = None		
012 = 125 MBh	S = Special		
015 = 150 MBh	B = Orifices for Elevations over 2000 ft.		
RD3 = 30 MBh	D = Summer-Winter Switch		
RD4 = 45 MBh	Tubular Units		
RD6 = 60 MBh	J = Totally Enclosed Motor		
RD7 = 75 MBh	7 = OSHA Fan Guard		
Digit 8 -- Main Power Supply			
A = 115/60/1			
S = Special			
Digit 9 -- Gas Control Option			
E = Two Stage, Intermittent Pilot Ignition Spark Ignited Pilot			
K = Single Stage, Hot Surface Pilot Ignition			
T = Single Stage, Direct Spark Ignition			
S = Special			



Part No.	Reference No.	Quantity	Description
75004052_GTNDUP1_127499~P	*		LOUVER END VIEW PARTS LIST

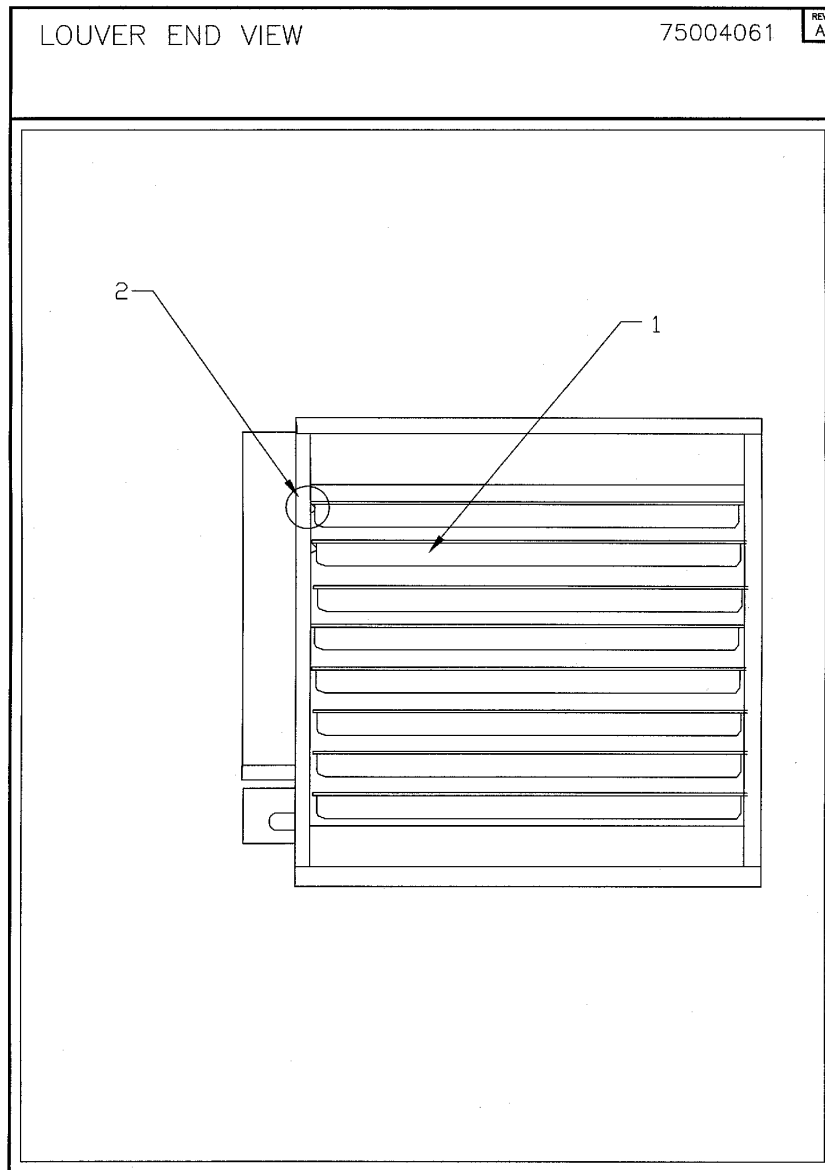




Parts List Number :GTND0001#GTNDUP1

Model Number :GTND020ATG10000

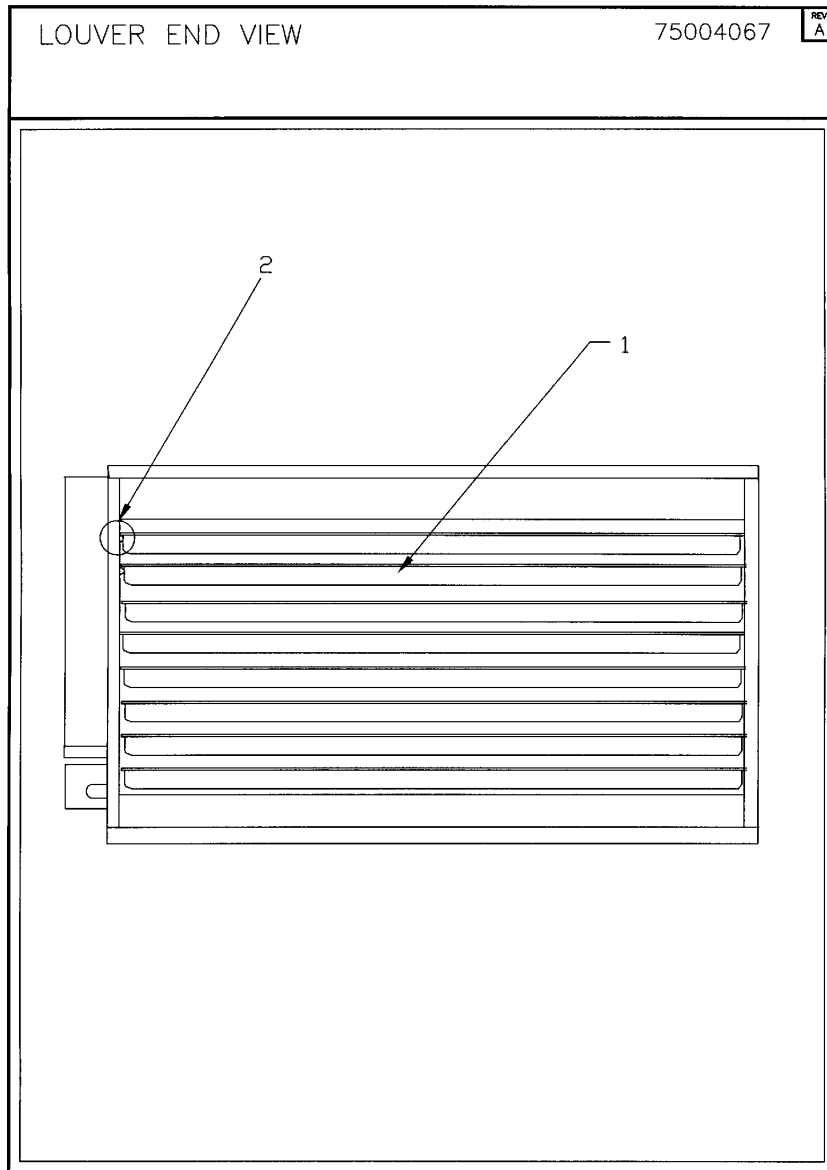
Part No.	Reference No.	Quantity	Description
75004061_GTNDUP1_140602~P	*		LOUVER END VIEW PARTS LIST



Parts List Number :GTND0001#GTNDUP1

Model Number :GTND020ATG10000

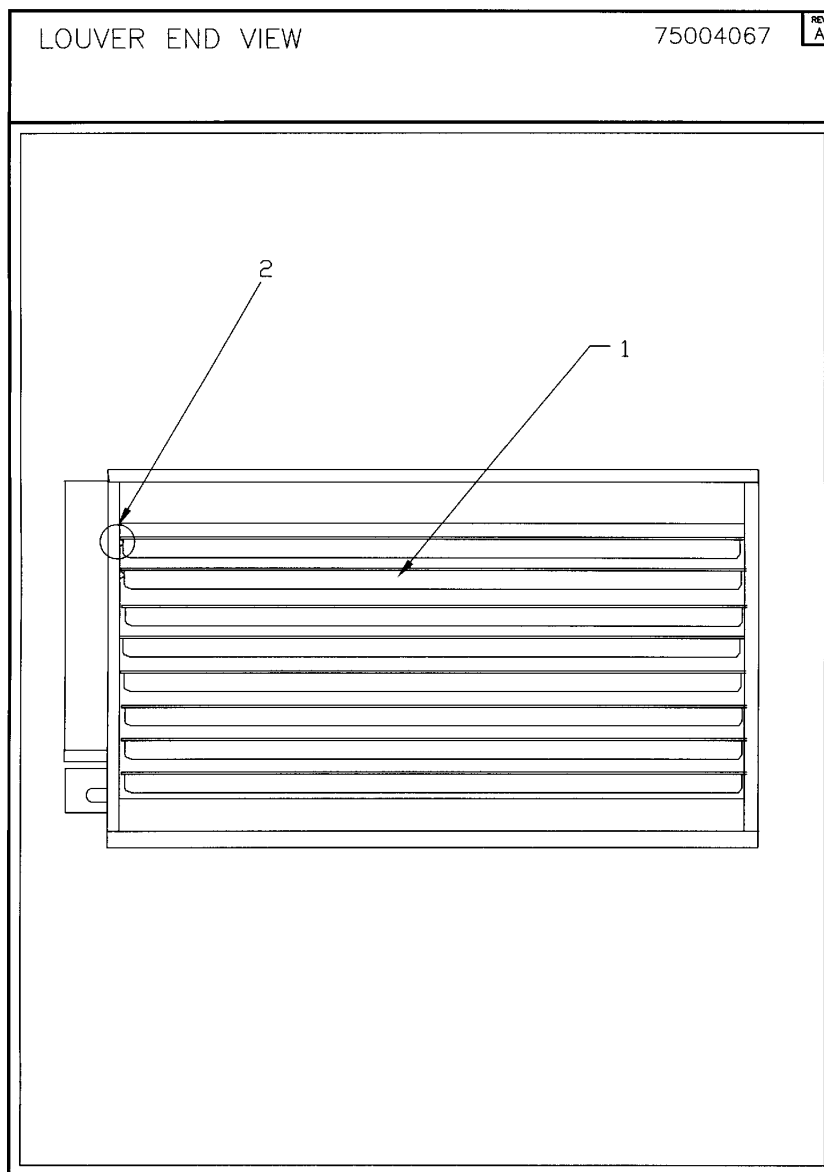
Part No.	Reference No.	Quantity	Description
LVR00110	1	8	LOUVER;
SPG00194	2	8	SPRING; CONE, ADJUSTABLE LOUVERS FOR HORZ. AND VERT.(ORDER QTY EQUALS PIECES)

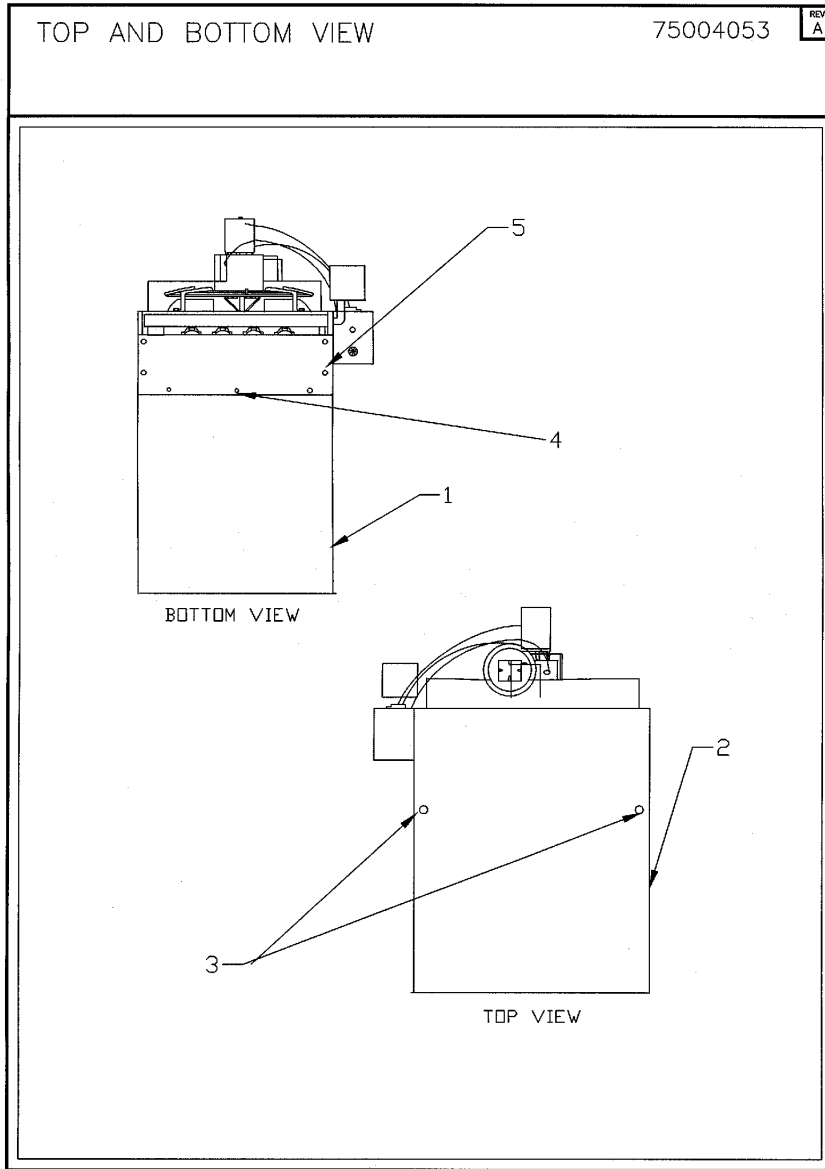


Parts List Number :GTND0001#GTNDUP1

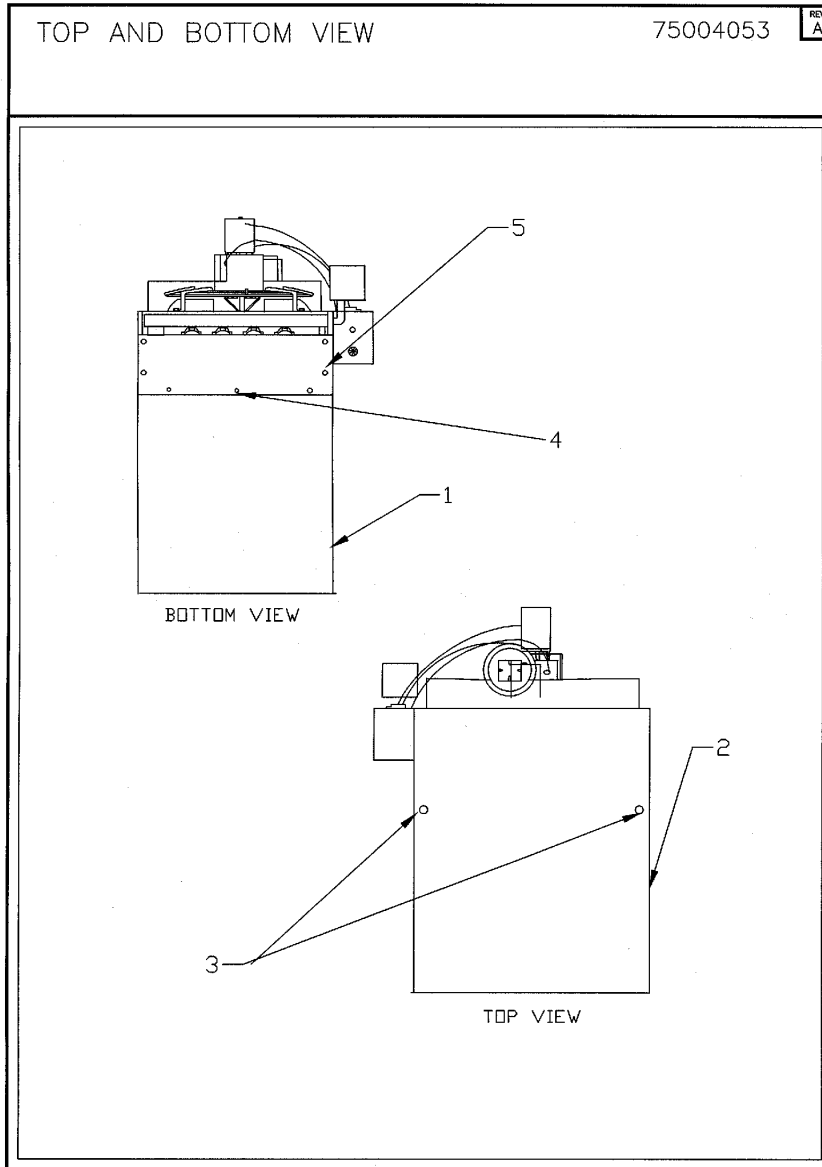
Model Number :GTND020ATG10000

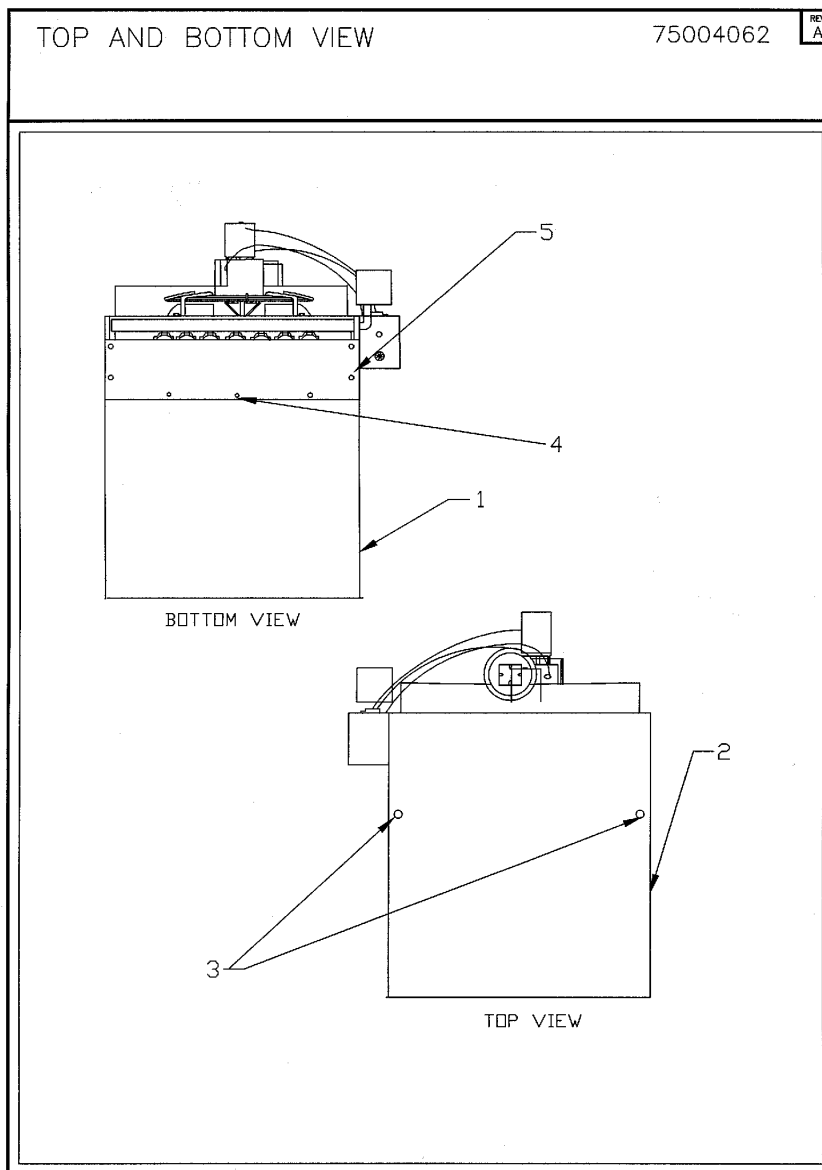
Part No.	Reference No.	Quantity	Description
75004067_GTNDUP1_125548~P	*		LOUVER END VIEW PARTS LIST





Part No.	Reference No.	Quantity	Description
75004053_GTNDUP1_127503~P	*		TOP AND BOTTOM VIEW PARTS LIST

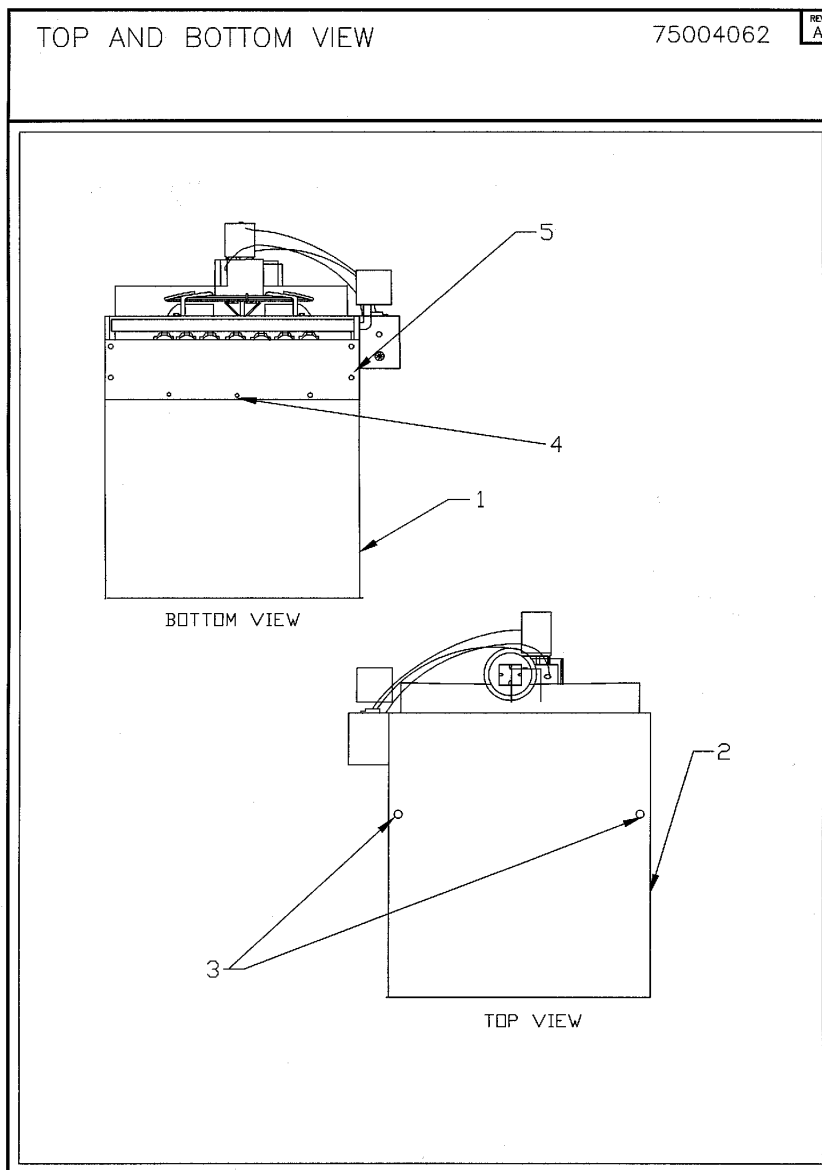




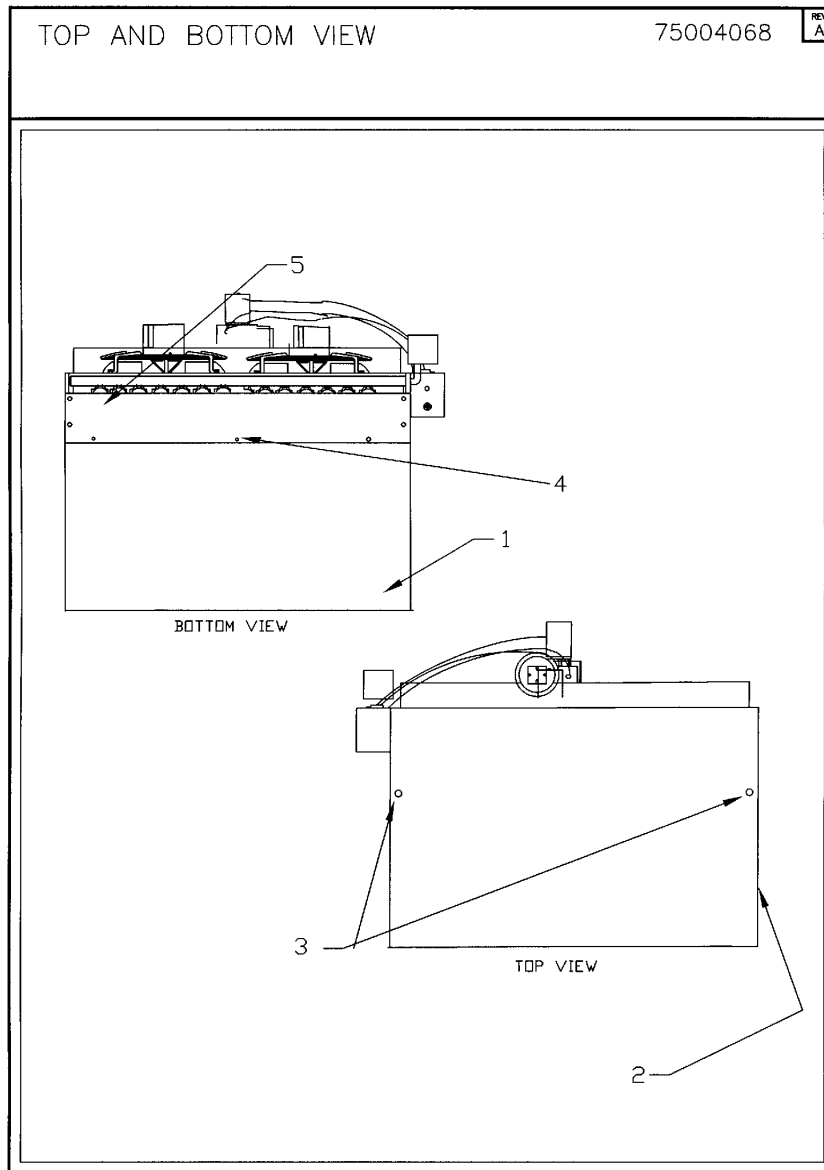
Parts List Number :GTND0001#GTNDUP1

Model Number :GTND020ATG10000

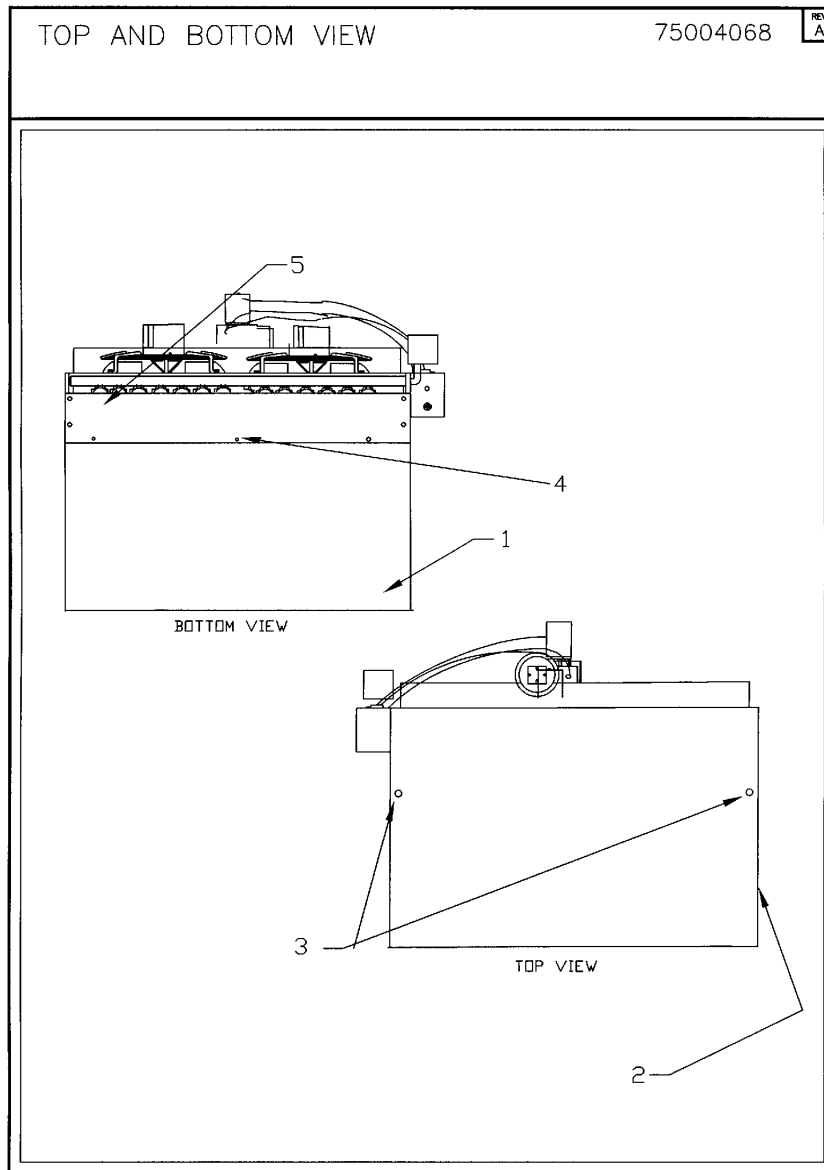
Part No.	Reference No.	Quantity	Description
75004062_GTNDUP1_140603~P	*		TOP AND BOTTOM VIEW PARTS LIST

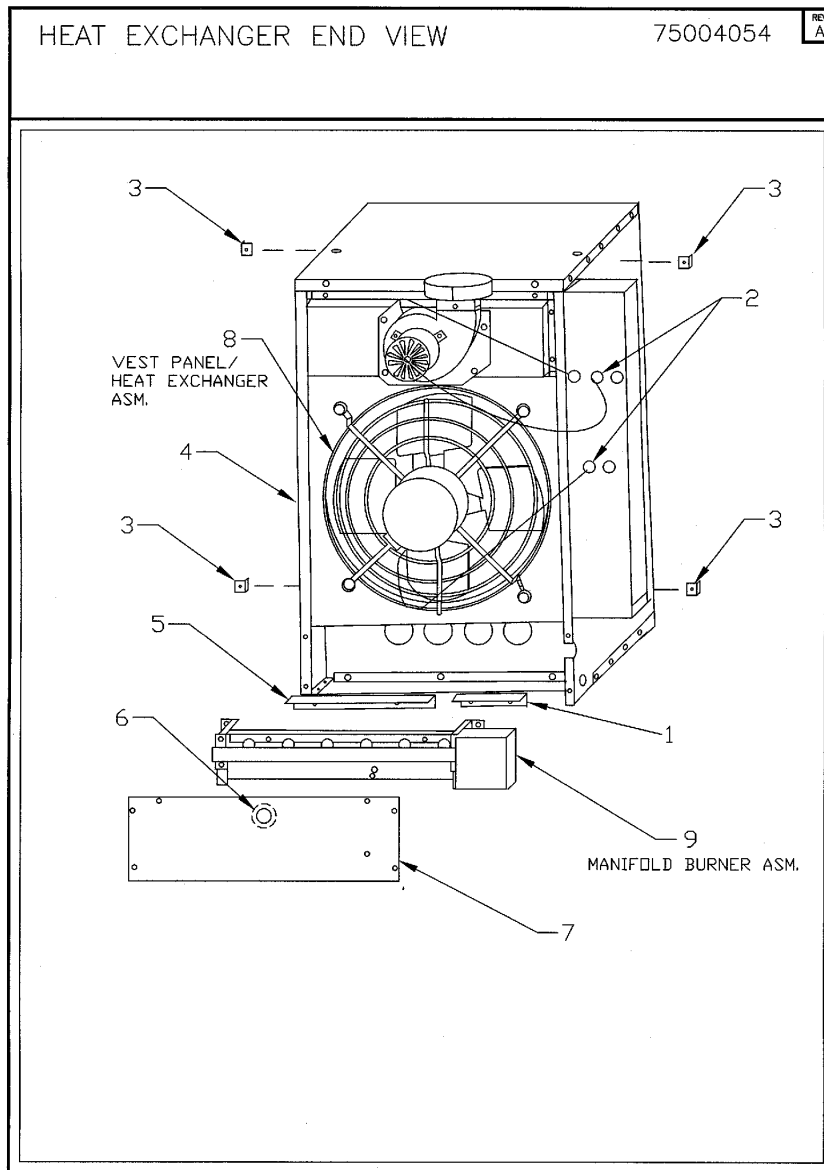


Part No.	Reference No.	Quantity	Description
PNS00550	1	1	PANEL; BOTTOM
PNS00551	2	1	PANEL; TOP
BRK02525	3	2	BRACKET; ASM., HANGING, WITH HARDWARE CONSISTS OF: CARRIAGE BOLTS, HANGING BRACKET, WASHERS, LOCKNUTS & RIVNUT
PLT02865	4	1	PLATE; BURNER BOTTOM
SCR01379	5	5	SCREW;SELF-TAPPING, #10-1/2

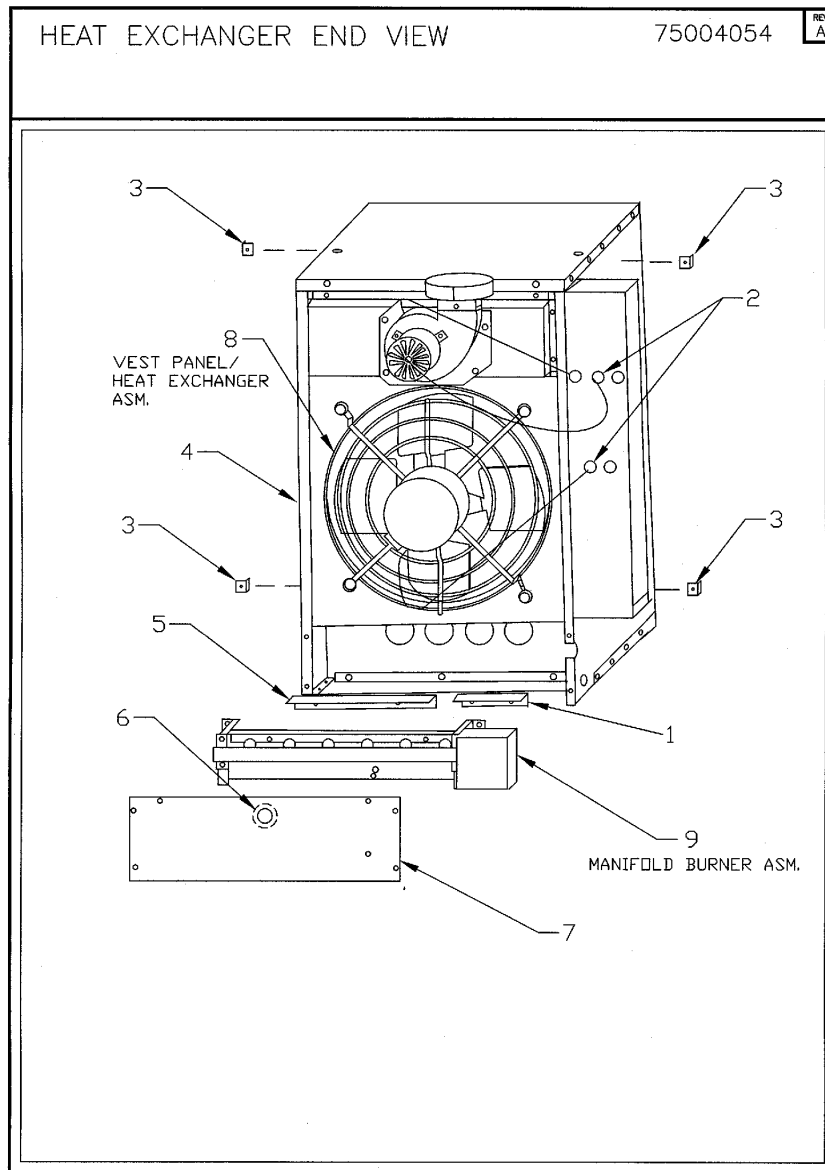


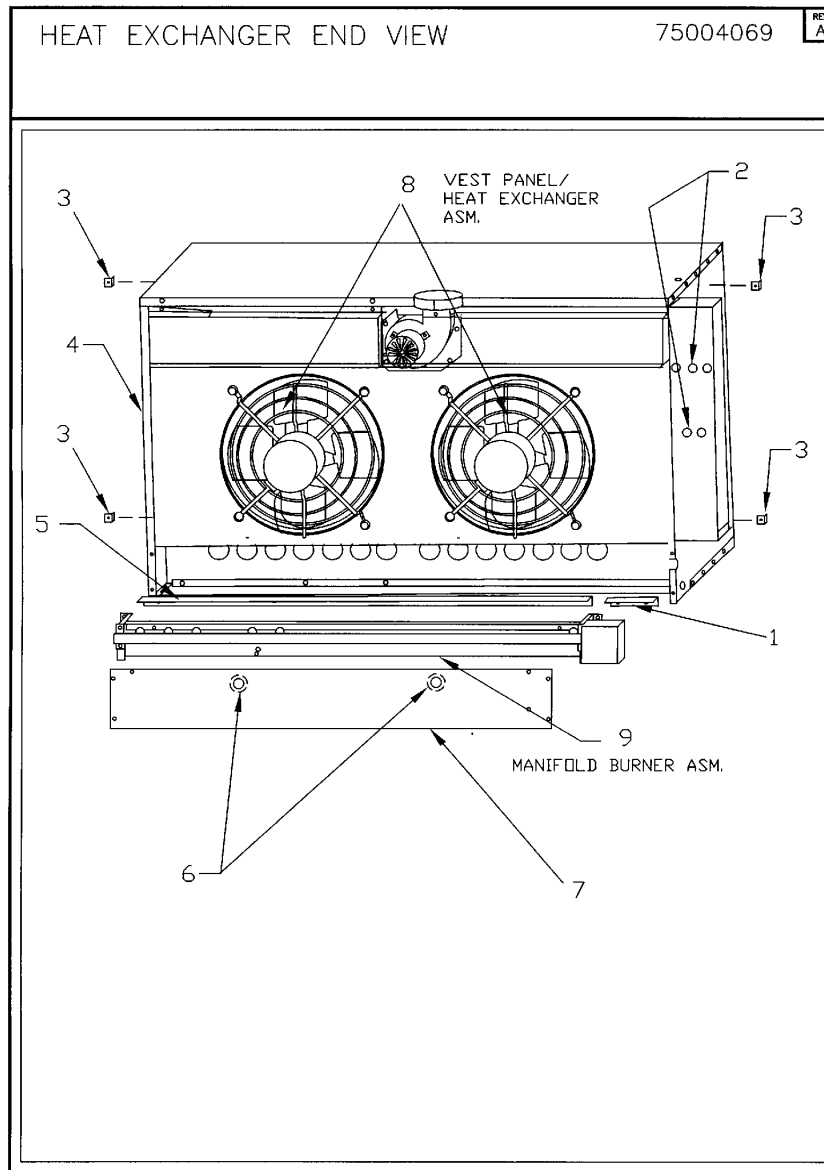
Part No.	Reference No.	Quantity	Description
75004068_GTNDUP1_125549~P	*		TOP AND BOTTOM VIEW PARTS LIST



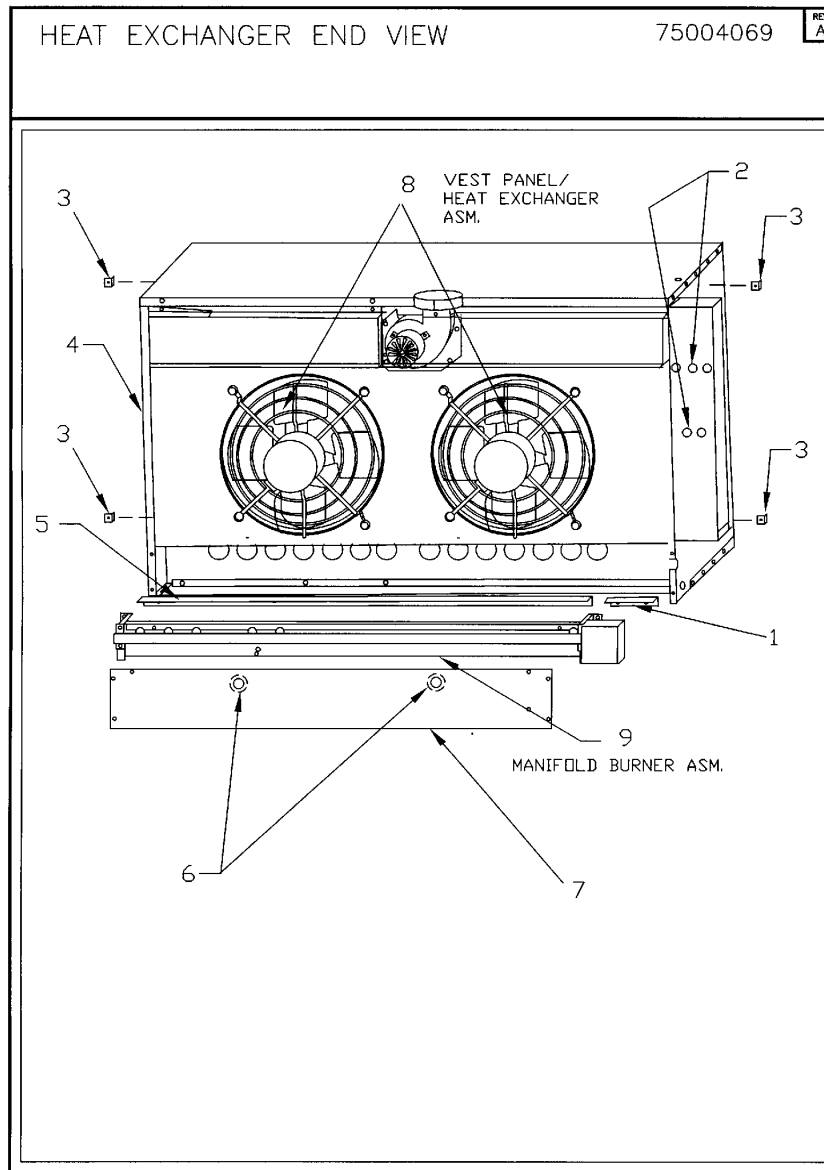


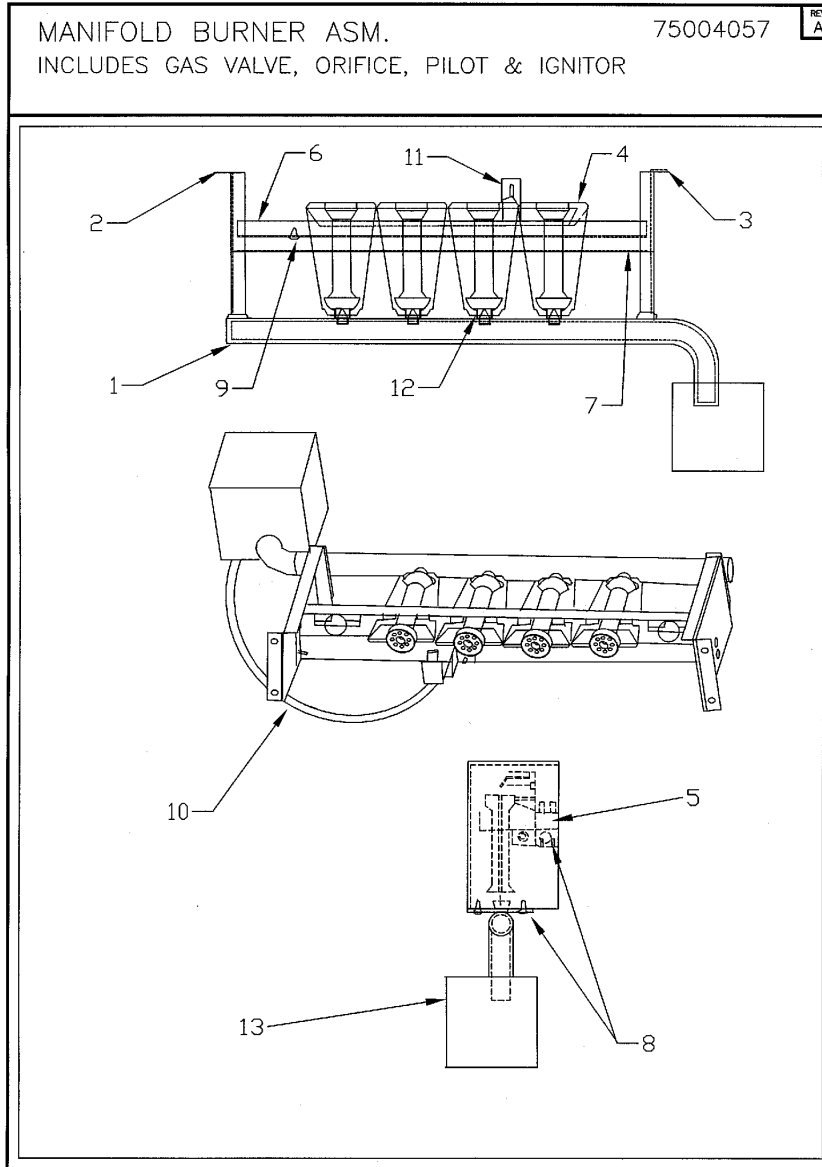
Part No.	Reference No.	Quantity	Description
75004054_GTNDUP1_127504~P	*		HEAT EXCHANGER END VIEW PARTS LIST



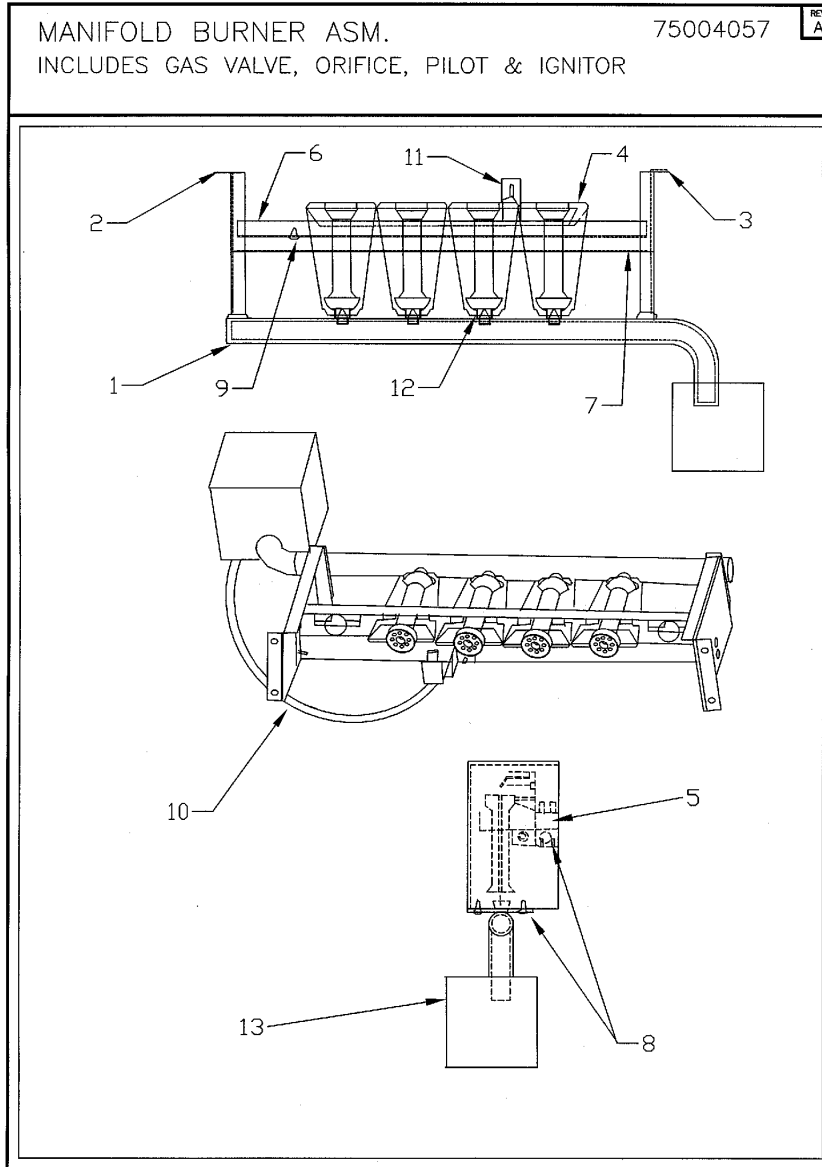


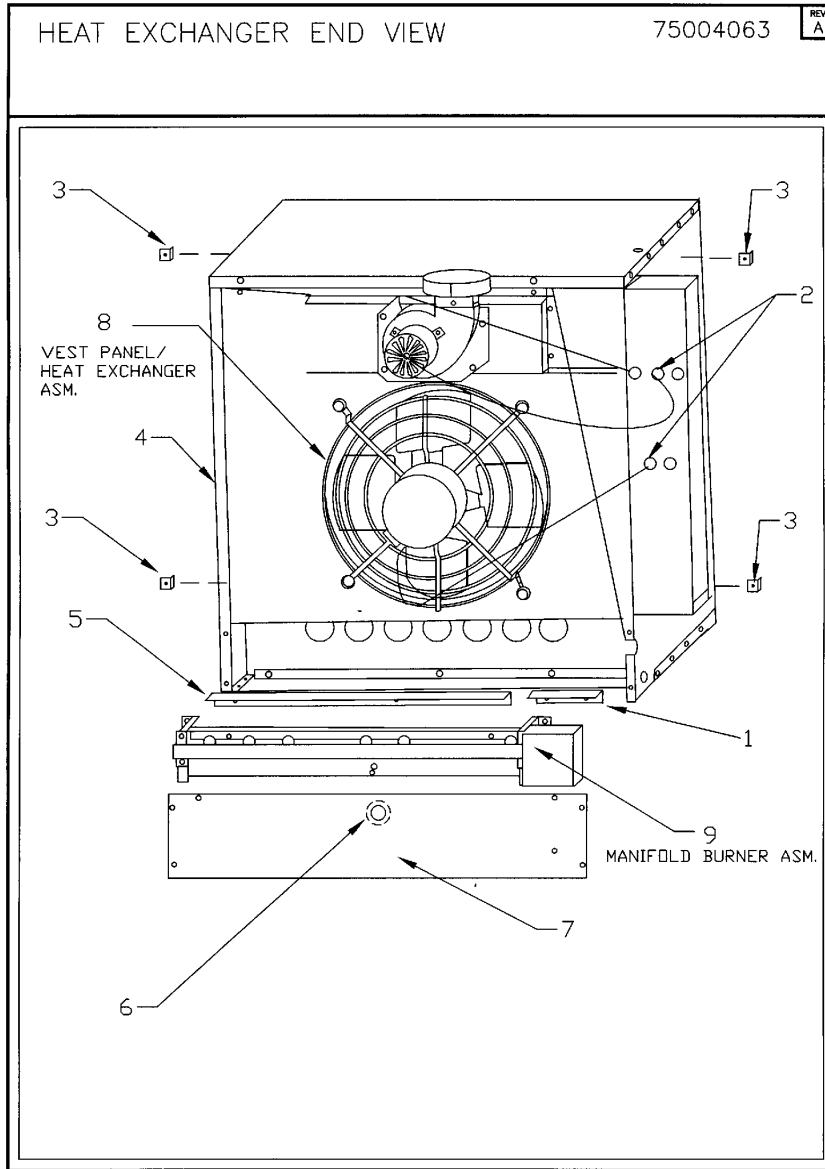
Part No.	Reference No.	Quantity	Description
75004069_GTNDUP1_125551~P	*		HEAT EXCHANGER END VIEW PARTS LIST



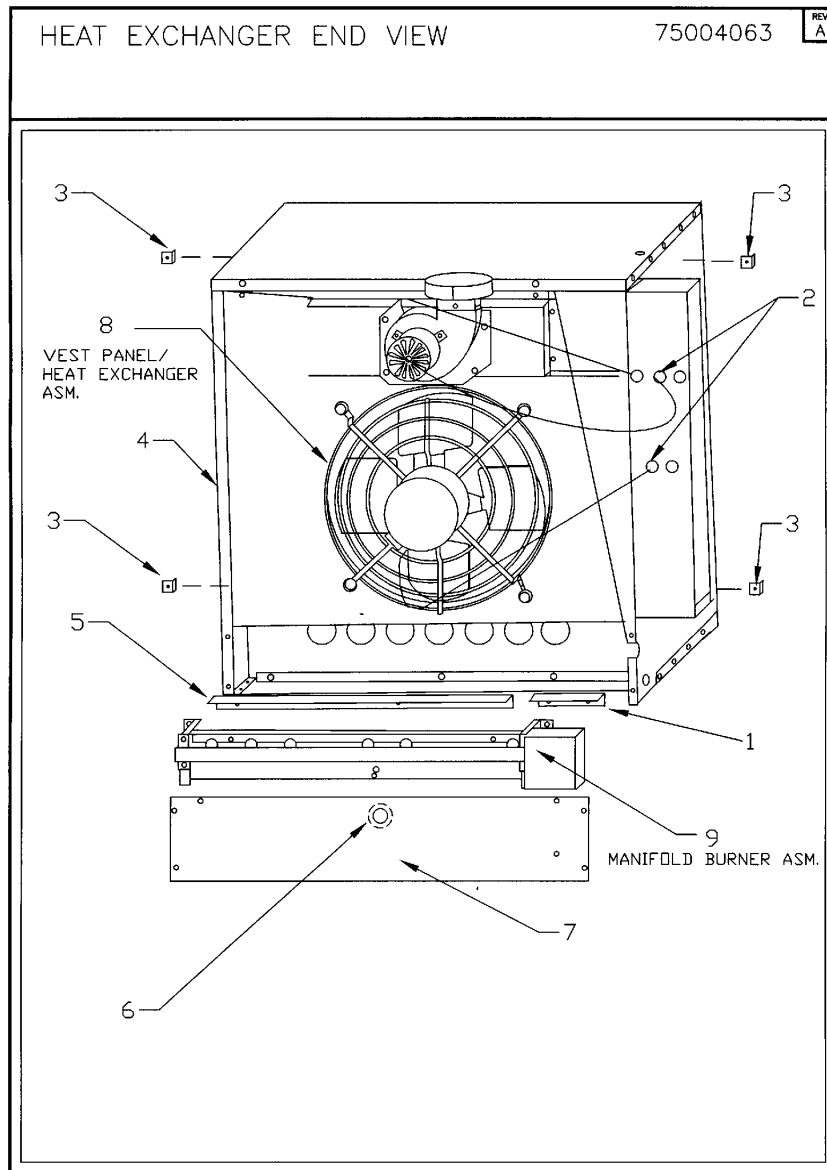


Part No.	Reference No.	Quantity	Description
75004057_GTNDUP1_125543~P	*		MANIFOLD BURNER ASM PARTS LIST

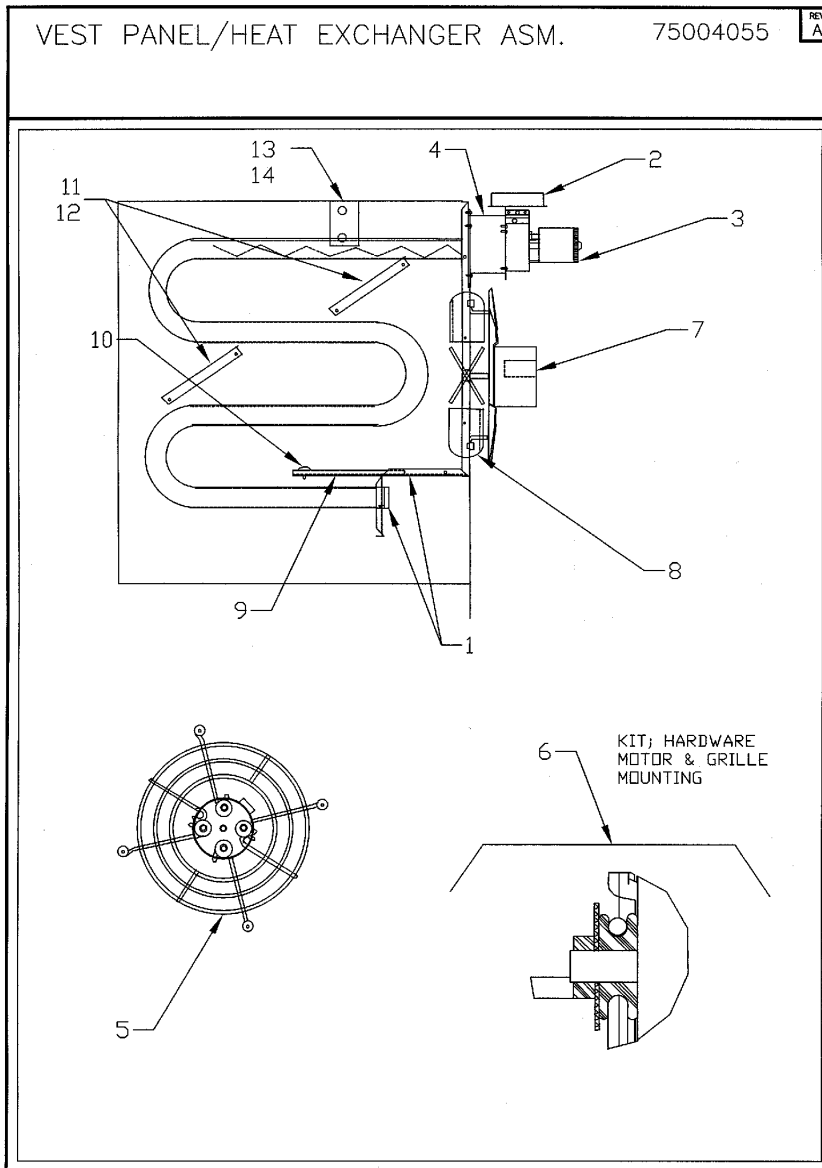




Part No.	Reference No.	Quantity	Description
75004063_GTNDUP1_140604~P	*		MANIFOLD BURNER ASM PARTS LIST
75004065#GTNDUP1~S	*		MANIFOLD BURNER ASM
75004055#GTNDUP1~S	*		VEST PANEL/HEAT EXCHANGER ASSEMBLY



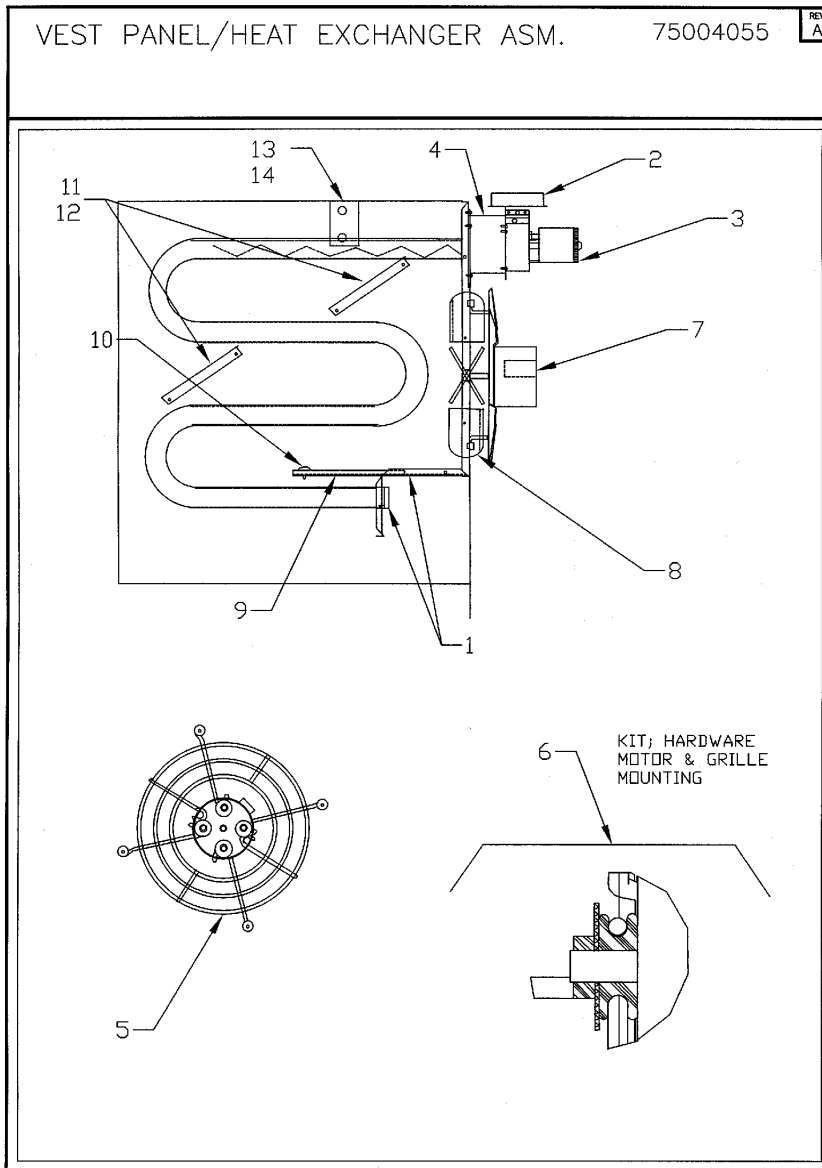
Part No.	Reference No.	Quantity	Description
BAF00976	1	1	BAFFLE; RIGHT SECONDARY AIR
CON00599	2	2	CONNECTOR; STRAIGHT, 3/8 INCH
BRK02522	3	4	BRACKET; TOP/BOTTOM PANEL
PNS00549	4	1	PANEL; LEFT
BAF00977	5	1	BAFFLE; LEFT SECONDARY AIR
GLS00172	6	1	GLASS;WINDOW VIEWING, 1 1/2 INCHES
COV02680	7	1	COVER; BURNER



Parts List Number :GTND0001#GTNDUP1

Model Number :GTND020ATG10000

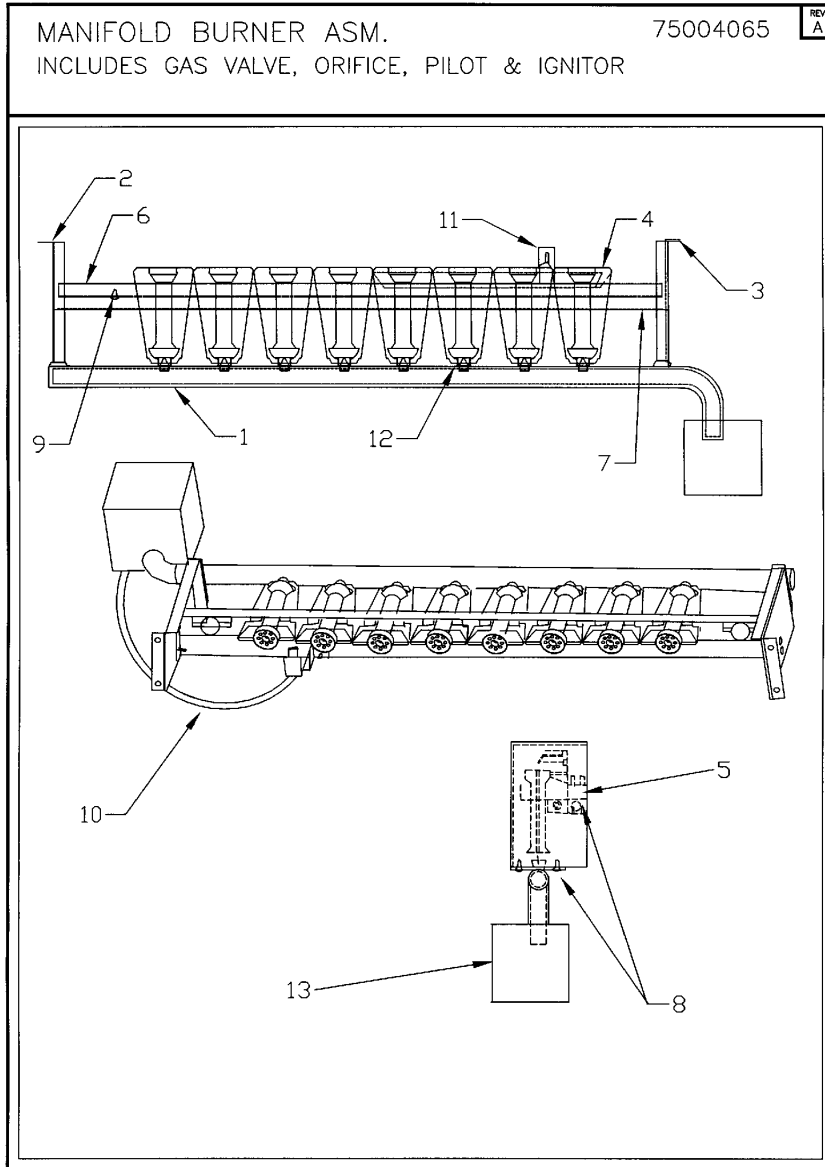
Part No.	Reference No.	Quantity	Description
75004055_GTNDUP1_187227~P	*		VEST PANEL/HEAT EXCHANGER ASSEMBLY PARTS LIST



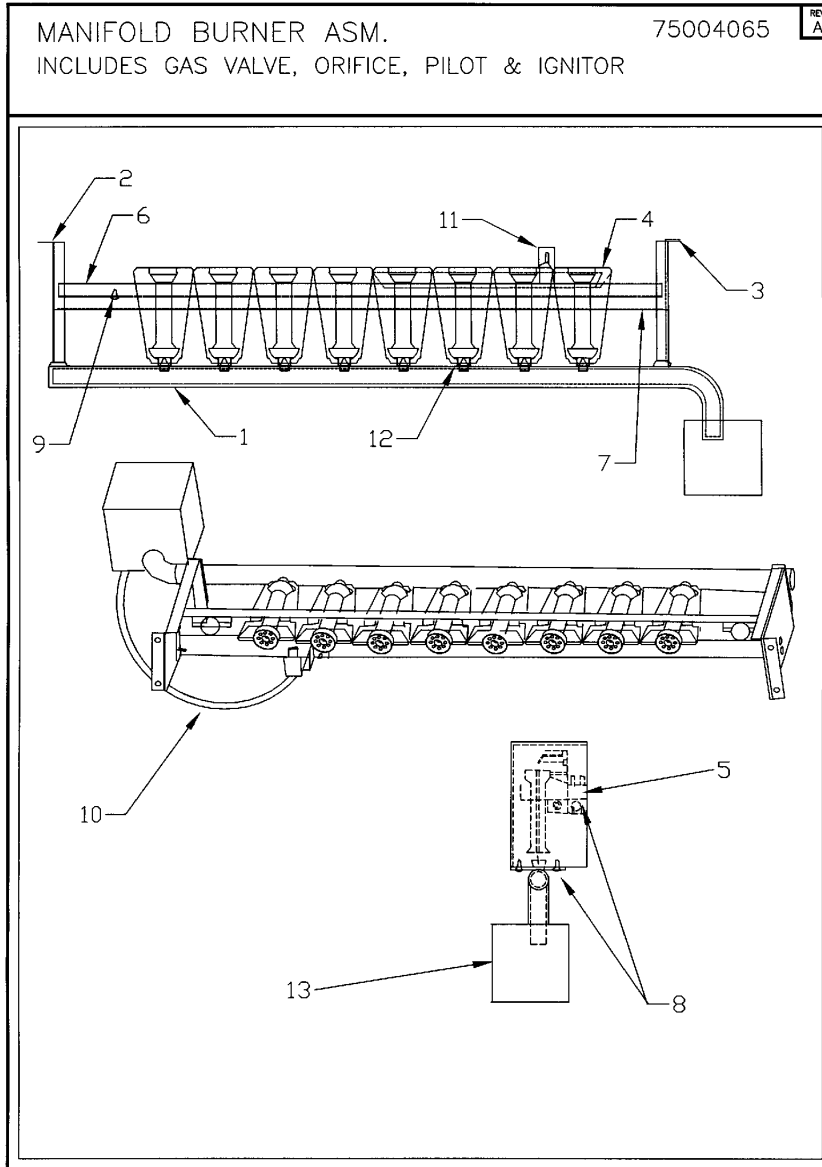
Parts List Number :GTND0001#GTNDUP1

Model Number :GTND020ATG10000

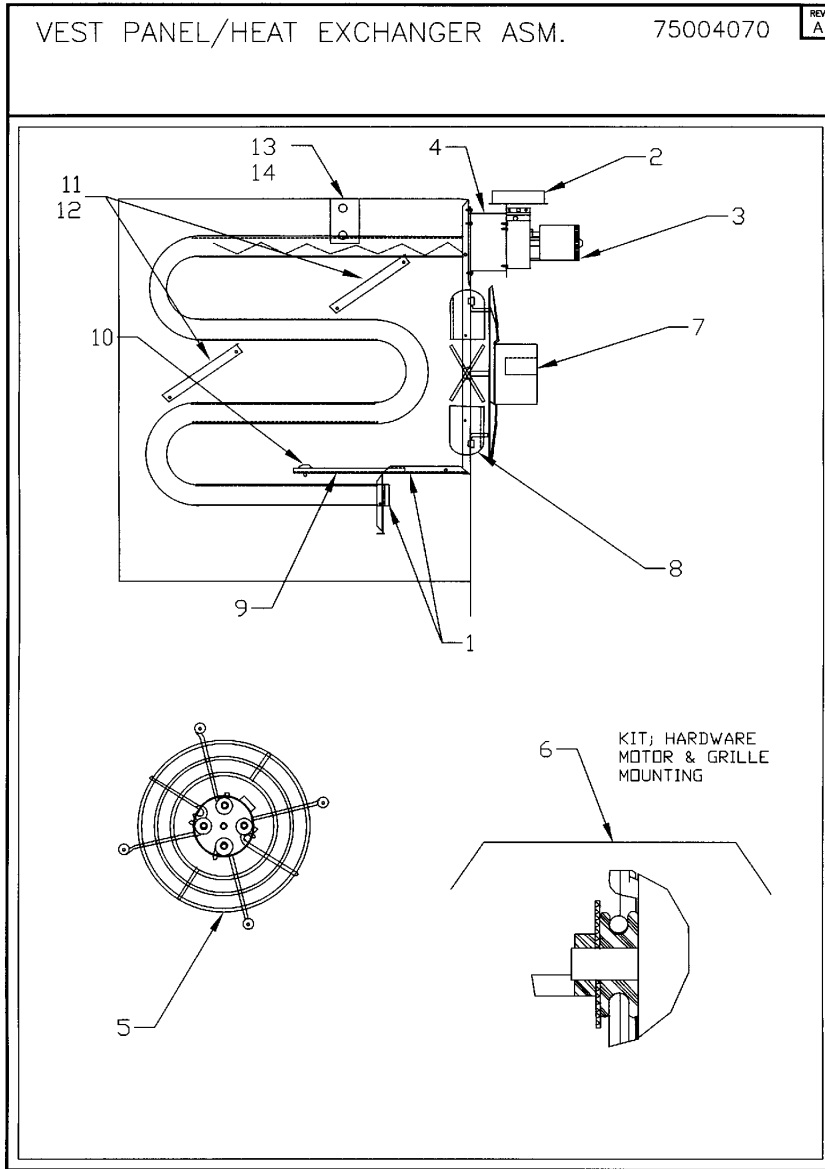
Part No.	Reference No.	Quantity	Description
EXC01400	1	1	EXCHANGER; HEAT W/VESTIBULE PANEL, ALUMINUM
ADP00491	2	1	ADAPTER; ASM., FLUE COLLAR
BLW00660	3	1	BLOWER; ASM., COMBUSTION AIR, W/MOTOR 115/60, 1.8A,
FLU00221	4	1	FLUE; COLLECTOR BOX 200 TUBULAR
FLU00222	4	1	FLUE; COLLECTOR BOX 250 TUBULAR
GRD00434	5	1	GUARD; FAN, FOR-PROPELLER & MOTOR, PAINT-GREY, P-7/10 & 14/16-1874 SAME AS GRD0311 EXCEPT PAINT COLOR GREY
KIT00986	6	1	KIT; HARDWARE, 4 GROMMETS, 4 NUTS, 8 WASHERS
MOT07943	7	1	MOTOR; BLOWER W/CAPACITOR, 1/3 HP, 5.8 AMP, 120/60, OPEN DRIP PROOF
FAN01526	8	1	FAN; 4 BLADE, 18IN., CW, 34 PITCH, 1/2 IN BORE
BRK02536	9	1	BRACKET; HIGH LIMIT
SWT01036	10	1	SWITCH; AUXILARY CONTROL, HIGH LIMIT, 60T23-203675, F170-40, OPENS 130F, CLOSES 170F
BRK02524	11	4	BRACKET; SUPPORT, AIR BAFFLE PLATE
PLT02896	12	2	PLATE; AIR BAFFLE
SCR01379	13	1	SCREW;SELF-TAPPING, #10-1/2
BRK02527	14	2	BRACKET; TUBE SUPPORT



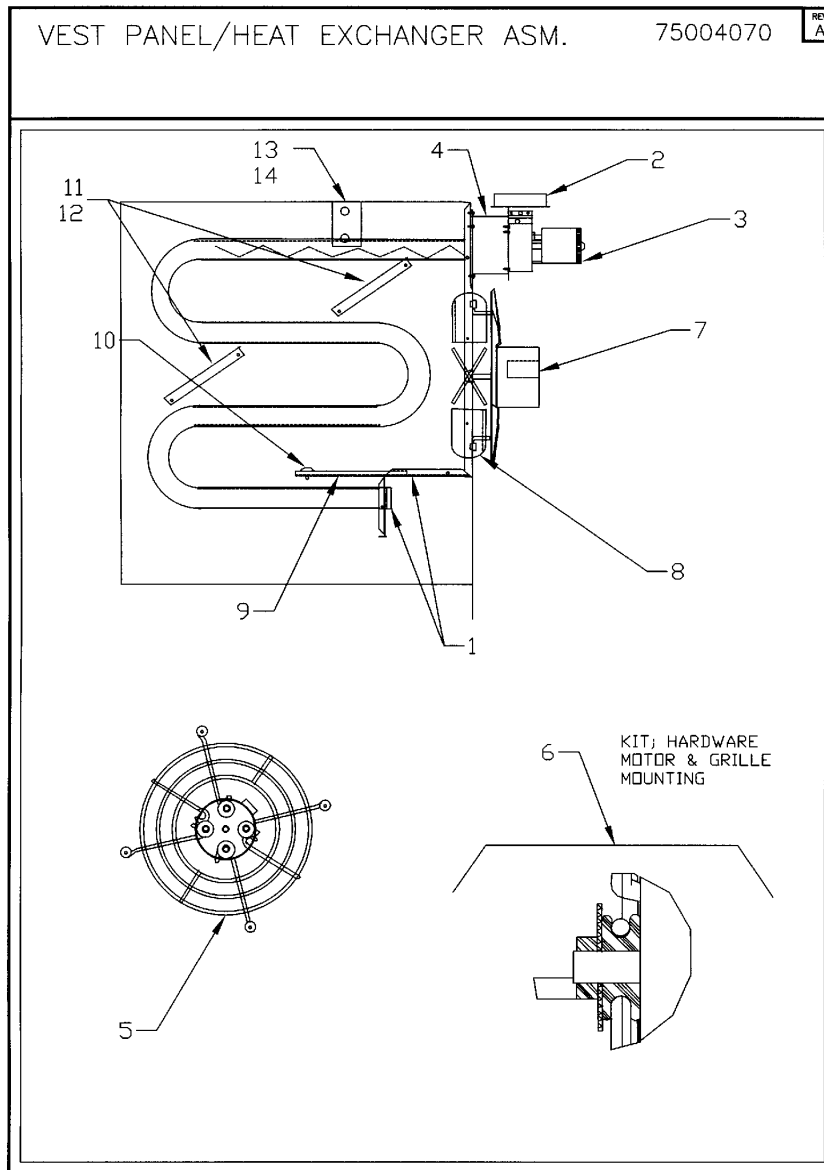
Part No.	Reference No.	Quantity	Description
75004065_GTNDUP1_187228~P	*		MANIFOLD BURNER ASM PARTS LIST

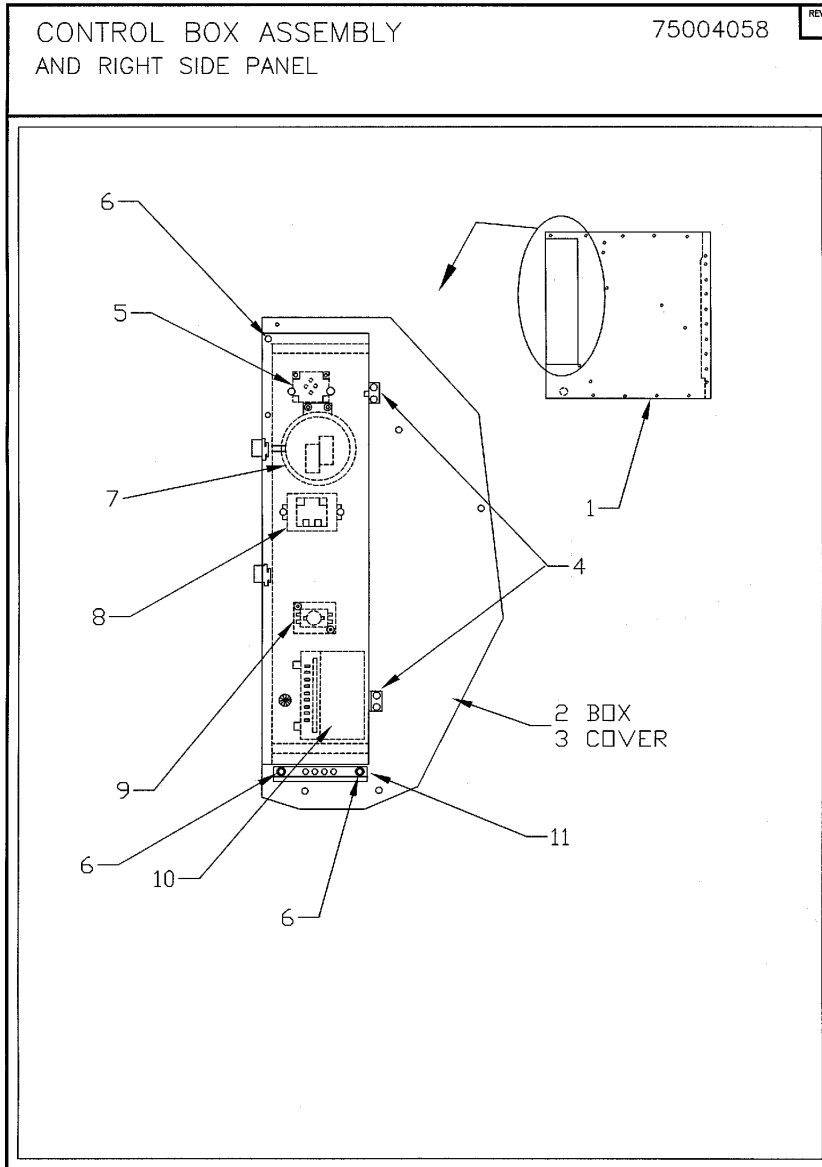


Part No.	Reference No.	Quantity	Description
MFD00844	1	1	MANIFOLD;
BRK02530	2	1	BRACKET; MANIFOLD, L.H.
BRK02531	3	1	BRACKET; MANIFOLD, R.H.
BNR01034	4	8	BURNER;
BRK02532	5	1	BRACKET; PILOT
CAP00558	6	1	CAP; BURNER BRACKET
BRK02534	7	1	BRACKET; BURNER
SCR01379	8	12	SCREW;SELF-TAPPING, #10-1/2
SCR00964	9	2	SCREW; #8, 1/2 IN. LG. SELF TAPPING
TUB02033	10	1	TUBE;PILOT BURNER,24IN.ALUMINUM,1/4IN.OD
CNT05013	11	1	CONTROL; SPARK IGNITOR
SEN01458	11	1	SENSOR; FLAME
ORF01091	12	8	ORIFICE; #42 DRILL SIZE
VAL06948	13	1	VALVE; DEVICE USED TO RESTRICT OR CONTROL FLOW, 3/4 X 3/4, NG
VAL08914	13	1	VALVE; SINGLE STAGE NATURAL GAS

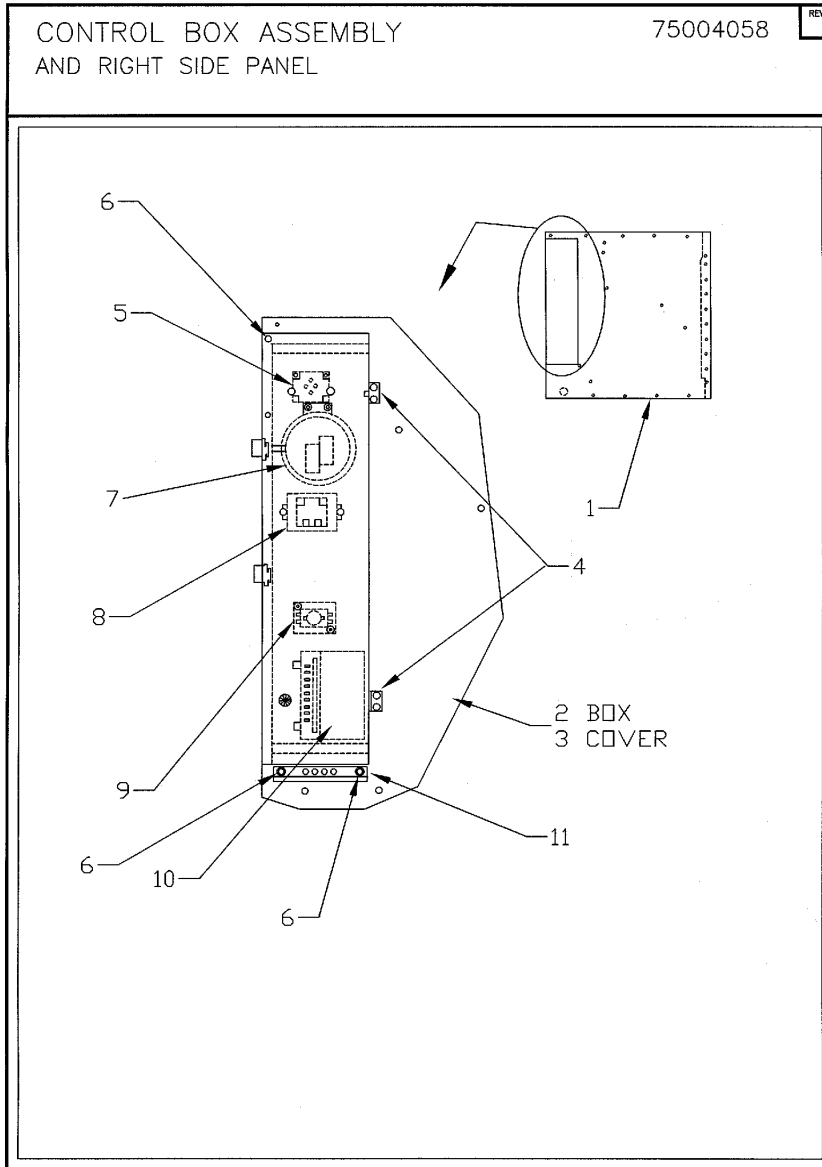


Part No.	Reference No.	Quantity	Description
75004070_GTNDUP1_140608~P	*		POWER DRAFTER VENT ASSEMBLY PARTS LIST





Part No.	Reference No.	Quantity	Description
75004058_GTNDUP1_187225~P	*		CONTROL BOX ASM & RH SIDE PANEL PARTS LIST



Parts List Number :GTND0001#GTNDUP1

Model Number :GTND020ATG10000

Part No.	Reference No.	Quantity	Description
BRD03396	*	1	BOARD; CONTROL
SWT02074	*	1	SWITCH; HIGH LIMIT
PNS00554	1	1	PANEL; RIGHT
BOX01188	2	1	BOX; CONTROL
COV02682	3	1	COVER; CONTROL BOX
HNG00117	4	2	HINGE;
RLY02037	5	1	RELAY; MOTOR 24VAC 50/60
SCR01379	6	19	SCREW;SELF-TAPPING, #10-1/2
TRR01251	8	1	TRANSFORMER; 50VA, 120V PRI., 24V SEC
RLY01770	9	1	RELAY; FAN TIME DELAY, (INSIDE JUNCTION BOX) ALSO CALLED SEQUENCER(THERM-0-DISC)
BLK00615	11	1	BLOCK; 4 TERMINAL, PLATE

REPLACEMENT PARTS

Parts List Number :GTND0001#GTNDUP1

Model Number :GTND020ATG10000

Part No.	Reference No.	Quantity	Description
GTND0002_GTNDUP1_125554~ P	*		REPLACEMENT PARTS

NO GRAPHIC AVAILABLE

75013702

REV
A

**NO
GRAPHIC
AVAILABLE**

REPLACEMENT PARTS

Parts List Number :GTND0001#GTNDUP1

Model Number :GTND020ATG10000