

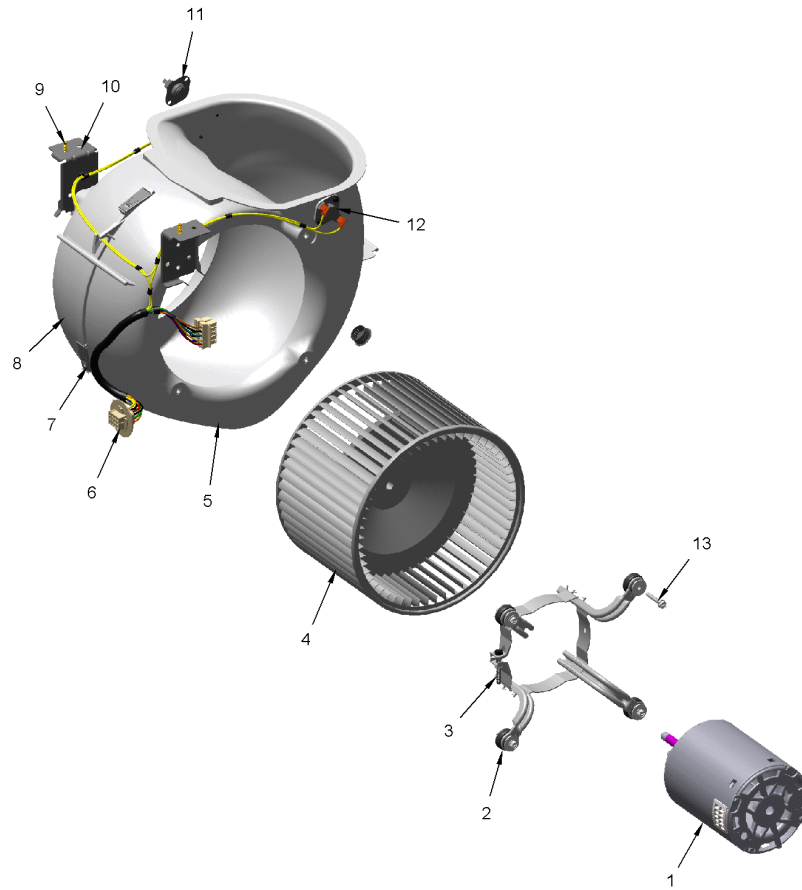
Part No.	Reference No.	Quantity	Description
0000089669~S	*		BLOWER
0000089670~S	*		BURNER
0000089742~S	*		CABINET
0000089671~S	*		CONTROLS
0000097581~S	*		GENERAL ASSEMBLY
0000089672~S	*		HEAT EXCHANGER
0000089673~S	*		INDUCER & VENTING
0000097582~S	*		MODEL NUMBER DESCRIPTION
0000089675~S	*		OPTIONAL ACCESSORIES
0000089674~S	*		SHIP WITH PARTS

Part No.	Reference No.	Quantity	Description
000004655~P	*		BLOWER PARTS LIST

BLOWER

75011741

REV.
A



This is a typical illustration. The unit in the field may not appear exactly as shown.

Part No.	Reference No.	Quantity	Description
MOT19228	1	1	MOTOR; CTM-1/2HP PROGRAMMED
BND00917	2	1	BAND; BELLY BAND ASSEMBLY, INCLUDES BAND, MOTOR LEGS, MOUNTING HARDWARE
BLT01015	3	1	BOLT; BELLY BAND, 1/4-20 UNC-2B, 3/8 HEX WASHER HEAD
WHL02916	4	1	WHEEL; BLOWER, 11 IN DIA, 8 IN WIDTH, 0.50 IN BORE, CW
HUS04192	5	1	HOUSING; BLOWER, MOLDED HALF, RIGHT SIDE, 18.00 X 15.28 X 6.92
WIR08568	6	1	WIRE; HARNESS, POWER, UPFLOW, CTM BLOWER, REVERSE AIR FLOW SWITCHES (RAF)
CLP01123	7	4	CLIP; CLEAT-BLOWER
HUS04193	8	1	HOUSING; BLOWER, MOLDED HALF, LEFT SIDE, 18.00 X 15.28 X 6.79
SCR01011	9	3	SCREW; 1/4-20 C HXW 5/8 S N
BRK04572	10	3	BRACKET; BLOWER DECK MOUNT, 3.65 X 2.51 X 1.84
SWT00770	11	1	SWITCH;REVERSE FLOW, OPEN @ 115 DEGREES F, CLOSE @ 105 DEGREES
SWT03983	12	1	SWITCH; REVERSE FLOW, OPEN AT 115F, CLOSE AT 105F
SCR02112	13	4	SCREW; ASSEMBLY-MOTOR MOUNT

Part No.	Reference No.	Quantity	Description
000004666~P	*		BURNER PARTS LIST

BURNER

75011113

RP
A



This is a typical illustration. The unit in the field may not appear exactly as shown.

Part No.	Reference No.	Quantity	Description
BRK04581	2	1	BRACKET; FLAME SENSOR, 2.063 X 0.875 X 0.456
SEN02400	3	1	SENSOR; FLAME, NIKROTHAL 80 ELECTRODE, FOR NATURAL GAS
BOX02751	4	1	BOX; BURNER, 5.74 X 7.00 X 2.63
SWT03988	5	1	SWITCH; FLAME ROLLOUT, 180F OPEN, 5.8 FLA, 34.8 LRA AT 120 VAC, 24 VAC, MAN RESET 100F, AUTO RESET -31F, FIXED TEMP THERMOSTAT AND NON-ADJ
PLT05658	6	1	PLATE; 2 BURNER, 7.08 X 5.61
HLD00625	7	1	HOLDER; 2 BURNER, 6.625 X 1.531
BNR01233	9	2	BURNER; 0.50 ID INSHOT BURNER, NATURAL GAS, STAINLESS STEEL, 2.75 X 4.50
PIP02095	10	1	PIPE; U-BEND, STEEL, 1/2-14 NPT, 3.42 X 2.00
VAL09029	11	1	VALVE; GAS, SLOW OPENING 1/2-14 NPT, 24V, 50/60 HZ, "J" SERIES
MFD01442	12	1	MANIFOLD; 2
ORF01427	13	2	ORIFICE; SPUD, DRILL #45, BRASS
WIR08572	14	1	WIRE; HARNESS, UPFLOW, FROM CONTROLS HARNESS TO FLAME ROLLOUT SWITCHES AND THERMAL LIMITS, YELLOW WIRES
SWT03987	15	1	SWITCH; FLAME ROLLOUT, 180F OPEN, 5.8 FLA, 34.8 LRA AT 120 VAC, 24 VAC, MAN RESET 100F, AUTO RESET -31F, FIXED TEMP THERMOSTAT AND NON-ADJ
BRK04580	16	1	BRACKET; IGNITER, 2.063 X 0.875 X 0.456
IGN00152	17	1	MIN=12/12 IGNITER; SILICON-NITRIDE, 120V, INCLUDES BRACKET AND SCREWS

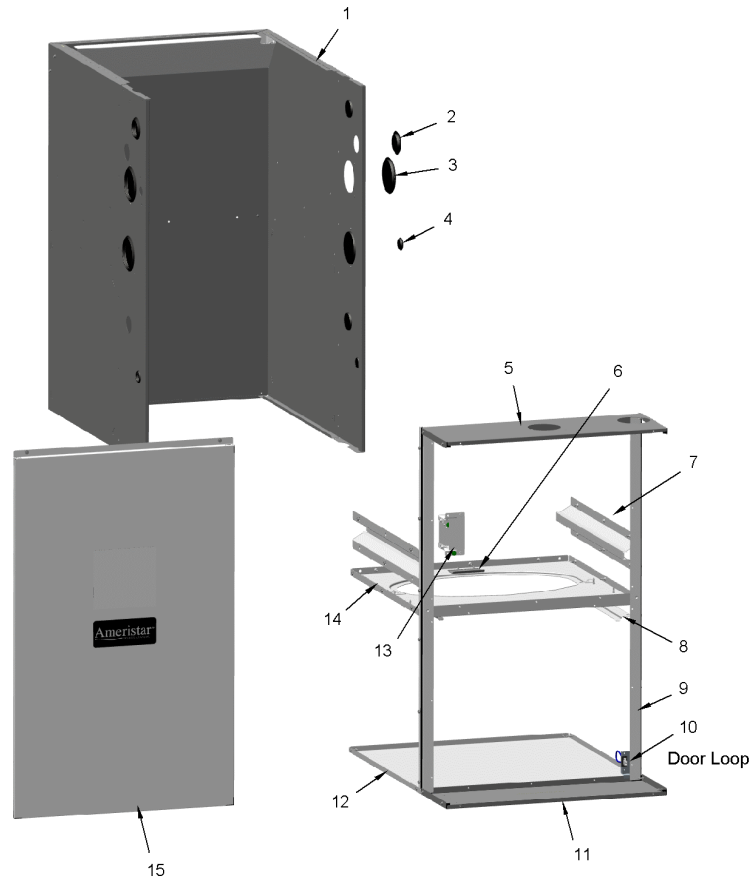
Part No.	Reference No.	Quantity	Description
000004492~P	*		CABINET PARTS LIST

CABINET

75013685

RP
A

(Items 1, 12 & 14 are considered as non-replaceable parts)



This is a typical illustration. The unit in the field may not appear exactly as shown.

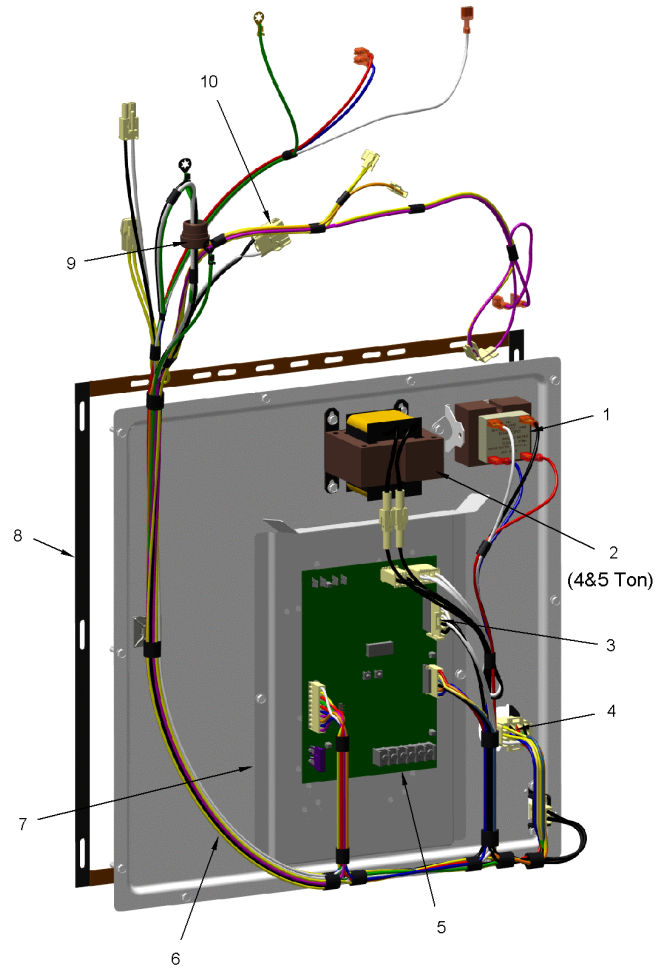
Part No.	Reference No.	Quantity	Description
PLU01272	2	3	PLUG; GAS CONDENSATE, 1.5 INCH, BLACK PLASTIC
PLU01273	3	3	PLUG; ELECTRICAL, 1.0 INCH, BLACK PLASTIC
PLU01269	4	4	PLUG; VENTING, 3.40 OD, 2.78 ID, BLACK PLASTIC
SUP06607	5	1	SUPPORT; CMEMBER-TOP-90B-UP-GALV
RTR00985	6	1	RETAINER; BLOWER, 3.00 X 1.85
RAL01161	7	2	RAIL; HEAT EXCHANGER, 19.15 X 3.47
RAL01160	8	2	RAIL; BLOWER DECK, 10.65 X 1.64
SUP05943	9	2	SUPPORT; SIDE, 33.74 X 1.07 X 1.07
WIR05160	10	1	WIRE; HARNESS, 2 PIN DF, 5 INCH BLACK WIRE
SUP06601	11	1	SUPPORT; CMEMBER-BOTTOM-90B-UP-GALV
PNL32370	12	1	PANEL; BOTTOM, 20.92 X 17.58
BOX02750	13	1	BOX; ASSEMBLY, JUNCTION, INCLUDES TOP, BASE, SCREWS & BUSHING
DOR04564	15	1	DOOR; ASSEMBLY

Part No.	Reference No.	Quantity	Description
000004671~P	*		CONTROLS PARTS LIST

CONTROLS

75013665

RP
A



This is a typical illustration. The unit in the field may not appear exactly as shown.

Part No.	Reference No.	Quantity	Description
TRR02736	1	1	TRANSFORMER; 115V-24V, 35VA, 60 HZ, CLASS 2
HUS03379	3	1	HOUSING; PLUG CONNECTOR, 4 CIRCUIT
CON00105	4	1	CONNECTOR; HOUSING; 12 CKT SOCKET HSG MALE
CNT07939	5	1	CONTROL; INTEGRATED FURNACE CONTROL PCB ASSY-A951X IFC
WIR09509	6	1	WIRE; HARNESS, POWER & CONTROLS
SHD00602	7	1	SHIELD; BRACKET-IFC, SHEET METAL, 5.91 X 9.03
GKT05000	8	1	GASKET; VESTIBULE GASKETS, ONE SIZE FITS ALL - TRIM TO FIT
BUS00300	9	1	BUSHING; STRAIN RELIEF
CON00973	10	1	CONNECTOR; 3 CKT, CAP HSG, WHITE/NATURAL

Part No.	Reference No.	Quantity	Description
000004401~P	*		GENERAL ASSEMBLY GRAPHIC

FURNACE
Ameristar / RunTru

75013684

REV
B



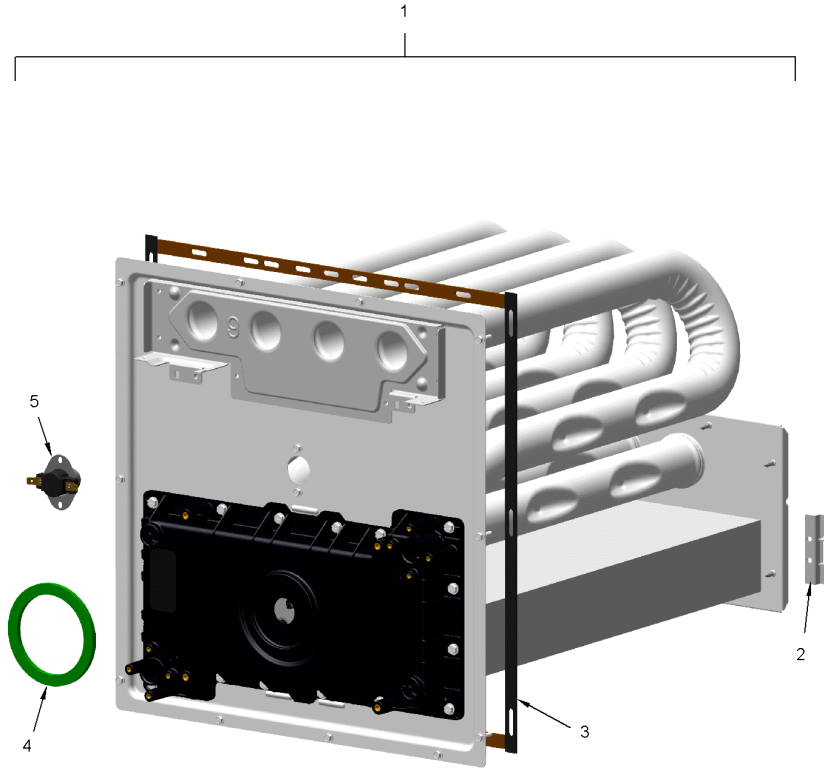
This is a typical illustration. The unit in the field may not appear exactly as shown.

Part No.	Reference No.	Quantity	Description
000004673~P	*		HEAT EXCHANGER PARTS LIST

HEAT EXCHANGER

75013667

RP
A



The Thermal Limit Switch (TCO) is not included with the Heat Exchanger.

This is a typical illustration. The unit in the field may not appear exactly as shown.

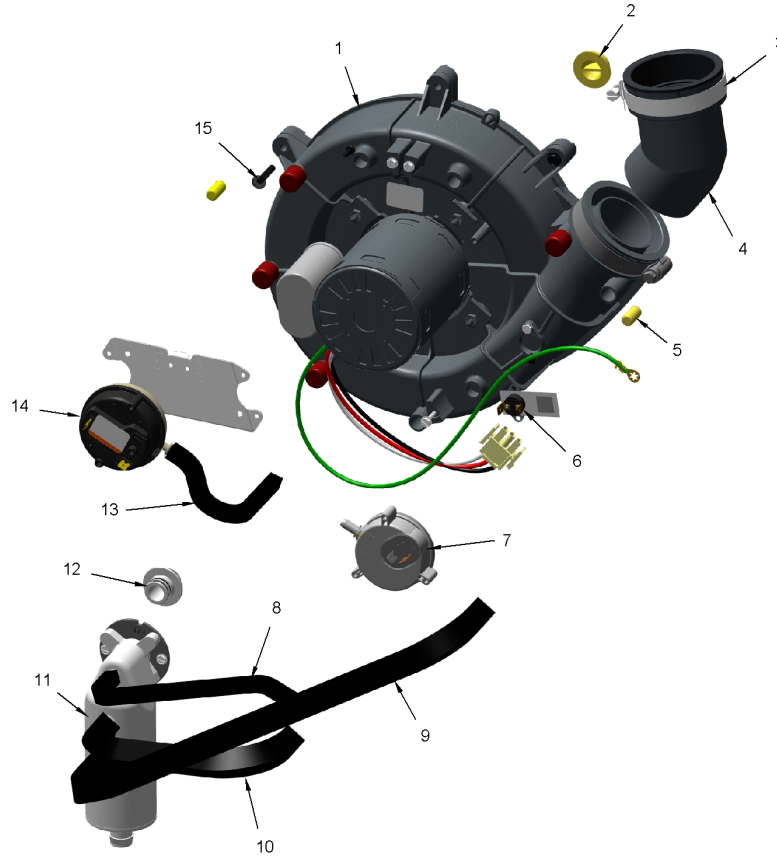
Part No.	Reference No.	Quantity	Description
EXC02922	1	1	EXCHANGER; HX-ASM-B40
BRK04574	2	2	BRACKET; HX HOT HEADER SUPPORT, 2.50 X 1.00
GKT05000	3	1	GASKET; VESTIBULE GASKETS, ONE SIZE FITS ALL - TRIM TO FIT
GKT04780	4	1	GASKET; BLOWER INDUCER, GREEN SILICONE, 3.70 OD X 2.90 ID
SWT04396	5	1	SWITCH; THERMAL OPENS AT 185F CLOSES AT 155

Part No.	Reference No.	Quantity	Description
000004657~P	*		INDUCER & VENTING PARTS LIST

INDUCER & VENTING

75013661

RP
A



This is a typical illustration. The unit in the field may not appear exactly as shown.

Part No.	Reference No.	Quantity	Description
BLW01401	1	1	BLOWER; INDUCER, 2 STAGE, 115V, 60 HZ, 3300/2345 RPM, 5 MFD CPT AT 370 VAC, INCLUDES GASKET & SCREWS
PLU01271	2	1	PLUG; CONDENSATE, 0.77 OD X 0.50 ID
ELL01524	4	1	ELBOW; BLACK, WITH BOOT AND CLAMP
CAP01301	5	1	CAP; PRESSURE, BLACK VINYL, 0.25 ID X 0.625 L
SWT03927	6	1	SWITCH; BLOWER INDUCER LIMIT SWITCH, 155F OPEN, 95F CLOSE
SWT03926	7	1	SWITCH; CONDENSATE, POS PRESSURE, SPST, 28VA PILOT DUTY AT 24 VAC, 125VA PILOT DUTY AT 125VAC, SNAP ACTING CONTACTS, OPERATING TEMP RANGE: -40 TO 185F
HSE01883	8	1	HOSE; PRESSURE SWITCH, BLACK EPDM RUBBER, 0.225 ID X 19.50 L
HSE01889	9	1	HOSE; CONDENSATE, BLACK EPDM, 9.00 L, 0.475 ID
HSE01886	10	1	HOSE; BLOWER INDUCER, CONDENSATE, BLACK EPDM, 15.00 L, 0.475 ID
SEP00271	11	1	SEPARATOR; ASSEMBLY-UPFLOW, INCLUDES TRAP, ADAPTERS, O-RINGS AND SCREWS
ADP01426	12a	1	ADAPTER; PVC PLASTIC, 0.718 ID, 1.20 ID
RNG02446	12b	4	RING; O-RING, 0.55 ID, EPDM RUBBER
HSE01885	13	1	HOSE; PRESSURE, 0.225 ID X 7.0 L, PS1
SWT03924	14	1	SWITCH; PRESSURE, SPDT, 28VA PILOT DUTY AT 24 VAC, 125VA PILOT DUTY AT 120VAC, SNAP ACTING CONTACTS, OPR TEMP RANGE: -40 TO 190F, 0.20 DEG W.C.
SCR02472	15	3	SCREW; 10-32 MACHINE SCREW, 5/16 SLOTTED HEX WASHER

Part No.	Reference No.	Quantity	Description
000008617~P	*		MODEL NUMBER GRAPHIC

MODEL NUMBER DESCRIPTION

75013683

REV
B

FURNACE - Ameristar / RunTru

Example Model Number:

A 9 5 2 V 0 8 0 B D 4 S A A A
1 - - - 5 - - - 10 - - - 15

Digit 1 – Brand Name

A = Ameristar / RunTru

Digits 2 & 3 – Model Family (Nominal Efficiency)

80 = 80% Non-Condensing

90 = 90% Condensing

95 = 95% Condensing

Digit 4 – Gas Valve Stages

1 = 1 Stage Gas Valve

2 = 2 Stage Gas Valve

M = Modulating Gas Valve

Digit 5 – Blower Type

P = PSC Motor

X = X13 Constant Torque Motor

V = Variable Speed Motor

Digits 6,7,8 – BTU input (Nominal Heating Capacity)

BTUH/HOUR X 1000

Digit 9 – Cabinet Width

A = 14.0 wide

B = 17.5 wide

C = 21.0 wide

D = 24.5 wide

Digit 10 – Orientation

U = Upflow / Horizontal Right

D = Downflow / Horizontal Left

Digits 11 & 12 – Nominal Cooling Airflow

BTUH/HOUR X 1000

Digit 13 – Major Development Sequence

Digit 14 & 15– Minor Design Sequence / Series - Design Change

Part No.	Reference No.	Quantity	Description
000004585~P	*		OPTIONAL ACCESSORIES LIST

Part No.	Reference No.	Quantity	Description
BYAIR30AVENTA	*	1	VENT; CONCENTRIC VENT KIT, (BAYAIR30AVENTAA)
BYAIR30CNVENT	*	1	KIT-CONCENTRIC-VENT-CANADA
BAYCNDTRAP2A	*	1	KIT-2" WATER COLLECTOR
BAYCNDTRAP3A	*	1	KIT-3" WATER COLLECTOR
BAYHANG	*	1	HORIZONTAL HANGER KIT
BAYLIFTB	*	1	KIT-DUAL-RETURN-B-SIZE
BAYLPSS400B	*	1	BAYLPSS400B; LP CONVERSION KIT, INCLUDES (6) STAINLESS BURNERS, SEN02662, KIT01495 & KIT07611
BAYMFGH200B	*	1	KIT; LP CONVERSION KIT W/ (6) STAINLESS STEEL BURNERS
BAYREDUCE	*	1	KIT-REDUCER-COUPPLING-CPVC
BAYVENT200B	*	1	KIT; SIDE WALL VENT ASSEMBLY
BAYVENTCN200B	*	1	KIT-VENT-SIDE-WALL-CANADA
FLRSF1255	*	1	1 INCH FILTER REPLACEMENT (QTY 12)
MAYBFERCOLKITA	*	1	KIT; COIL HEAT SHIELD, B CABINET

SHIP WITH PARTS

Parts List Number :0000089137

Model Number :A951X040BU3SABA

Part No.	Reference No.	Quantity	Description
000004583~P	*		SHIP WITH PARTS LIST

SHIP WITH PARTS

75011131

REV.
A



This is a typical illustration. The unit in the field may not appear exactly as shown.

Part No.	Reference No.	Quantity	Description
TUB13975	1	1	TUBE; CONDENSATE DRAIN, INCLUDES CLAMPS, ADAPTER AND COUPLING
GRM01059	3	7	GROMMET; CONDENSATE GAS, BLACK 0.99 ID X 2.0 OD
KIT17675	4	1	KIT; 2 INCH INLET ADAPTOR (ADP01052) AND GASKET (GKT03082)
PLU01272	5	1	PLUG; GAS CONDENSATE, 1.5 INCH, BLACK PLASTIC
PLU01273	6	1	PLUG; ELECTRICAL, 1.0 INCH, BLACK PLASTIC
GRM01083	7	1	GROMMET; TRAP, 3.50 OD X 2.00 ID, BLACK, FLEXIBLE VINYL
KIT17674	8	1	KIT; OUTLET ADAPTOR WITH CLAMP AND GASKET