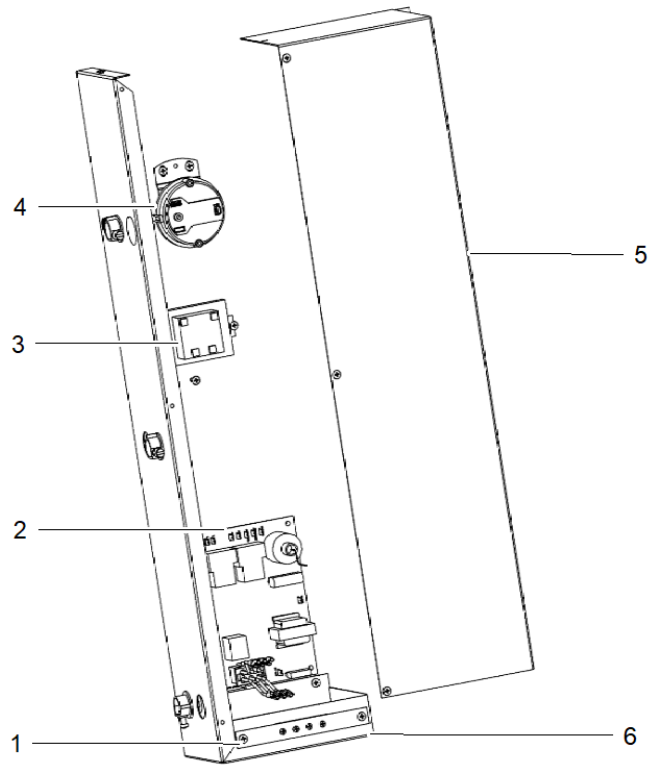


| <b>Part No.</b> | <b>Reference No.</b> | <b>Quantity</b> | <b>Description</b>   |
|-----------------|----------------------|-----------------|--|
| 0000094262~S    | *                    |                 | ELECTRICAL CONTROL BOX   |
| 0000094258~S    | *                    |                 | GENERAL ASSEMBLY   |
| 0000094260~S    | *                    |                 | HEAT EXCHANGER, BLOWER ASSEMBLY, FLUE COLLECTOR,<br>POWER VENTER & TURBULATORS |
| 0000094261~S    | *                    |                 | MANIFOLD BURNER ASSEMBLY   |
| 0000094259~S    | *                    |                 | MODEL NUMBER DESCRIPTION   |
| 0000094208~S    | *                    |                 | PANELS & LOUVERS   |

| Part No.    | Reference No. | Quantity | Description                       |
|-------------|---------------|----------|-----------------------------------|
| 000008168~P | *             |          | ELECTRICAL CONTROL BOX PARTS LIST |



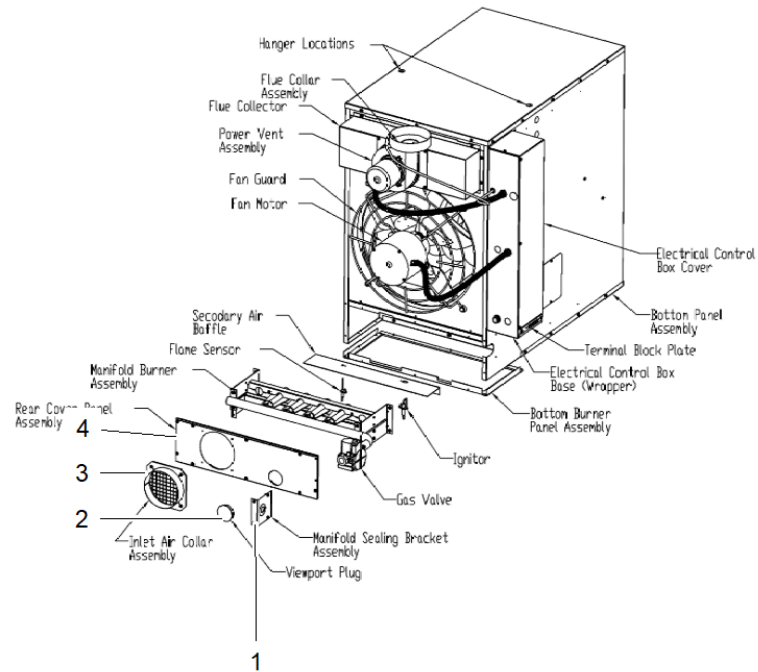
All orderable Service Parts are identified for this product.  
Parts that are not identified, will not be available to order.

Parts List Number :000094220

Model Number :GNNE035ATA10000

| <b>Part No.</b> | <b>Reference No.</b> | <b>Quantity</b> | <b>Description</b>                         |
|-----------------|----------------------|-----------------|--|
| PLT05204        | 1                    | 1               | PLATE; TERMINAL BLOCK                      |
| BRD03396        | 2                    | 1               | BOARD; CONTROL                             |
| TRR01251        | 3                    | 1               | TRANSFORMER; 50VA, 120V PRI., 24V SEC      |
| SWT03799        | 4                    | 1               | SWITCH; AIR PRESSURE, STD ALT (0-4,999 FT) |
| SWT03801        | 4a                   | 1               | SWITCH; AIR PRESSURE, HIGH ALT (5,000 FT+) |
| COV02682        | 5                    | 1               | COVER; CONTROL BOX                         |
| BOX01188        | 6                    | 1               | BOX; CONTROL                               |

| Part No.    | Reference No. | Quantity | Description     |
|-------------|---------------|----------|-----------------|
| 000008778~P | *             |          | GENERAL ASSY GN |



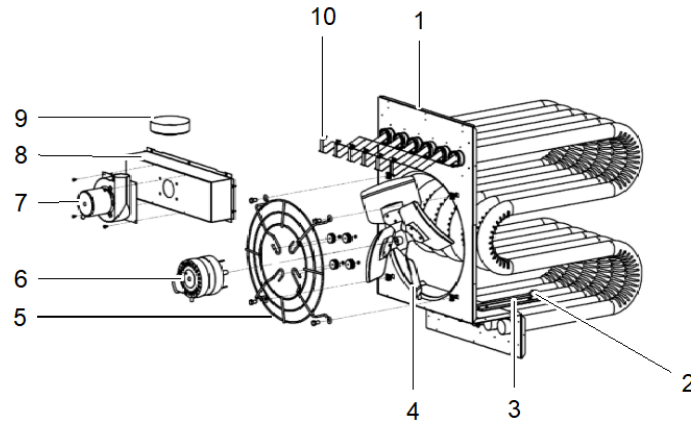
All orderable Service Parts are identified for this product.  
Parts that are not identified, will not be available to order.

| <b>Part No.</b> | <b>Reference No.</b> | <b>Quantity</b> | <b>Description</b>             |
|-----------------|----------------------|-----------------|--------------------------------|
| CTR02812        | *                    | 1               | CONTACTOR;                     |
| BRK05238        | 1                    | 1               | BRACKET; MANIFOLD SEALING ASSY |
| GLS01083        | 2                    | 1               | GLASS; PEEP HOLE SIGHT         |
| CLR00906        | 3                    | 2               | COLLAR; INLET AIR              |
| PNL37231        | 4                    | 1               | PANEL; REAR COVER              |

Parts List Number :000094220

Model Number :GNNE035ATA10000

| Part No.    | Reference No. | Quantity | Description                              |
|-------------|---------------|----------|--|
| 000008008~P | *             |          | HEAT EXCHANGER, BLOWER ASSEMBLY, FLUE CO |



All orderable Service Parts are identified for this product.  
Parts that are not identified, will not be available to order.

This is an optional feature. This is not a factory option.

| Part No. | Reference No. | Quantity | Description   |
|----------|---------------|----------|---|
| KIT16766 | *             | 2        | KIT; FAN/GUARD/MOTOR MOUNT HARDWARE KIT [QTY. REQ'D PER CAPACITY]                       |
| EXC02535 | 1             | 1        | EXCHANGER; VESTIBULE PANEL/TUBE ASSY, ALUMINIZED (HEAT EXCHANGER, INCLUDES TURBULATORS) |
| SWT01036 | 2             | 2        | SWITCH; AUXILARY CONTROL, HIGH LIMIT, 60T23-203675, F170-40, OPENS 130F, CLOSES 170F    |
| BRK02536 | 3             | 2        | BRACKET; HIGH LIMIT   |
| FAN01526 | 4             | 2        | FAN; 4 BLADE, 18IN., CW, 34 PITCH, 1/2 IN BORE  |
| GRD02103 | 5             | 2        | GUARD; FAN GUARD, INCLUDES MOTOR MOUNTING PLATE   |
| MOT07943 | 6             | 2        | MOTOR; BLOWER W/CAPACITOR, 1/3 HP, 5.8 AMP, 120/60, OPEN DRIP PROOF                     |
| BLW00659 | 7             | 1        | BLOWER; POWER DRAFTOR VENT ASSEMBLY   |
| FLU00224 | 8             | 1        | FLUE; COLLECTOR BOX 350 TUBULAR   |
| ADP00492 | 9             | 1        | ADAPTER; ASM., FLUE COLLAR  |
| TRB00229 | 10            | 14       | TURBULATOR;   |

| Part No.    | Reference No. | Quantity | Description                         |
|-------------|---------------|----------|-------------------------------------|
| 000008725~P | *             |          | MANIFOLD BURNER ASSEMBLY PARTS LIST |



All orderable Service Parts are identified for this product.  
Parts that are not identified, will not be available to order.

Parts List Number :0000094220

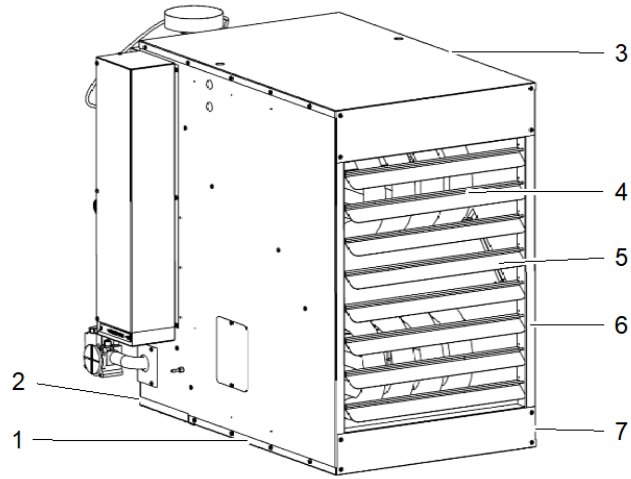
Model Number :GNNE035ATA10000

| <b>Part No.</b> | <b>Reference No.</b> | <b>Quantity</b> | <b>Description</b>                       |
|-----------------|----------------------|-----------------|--|
| CNT05013        | 1                    | 1               | CONTROL; SPARK IGNITOR                   |
| BNR01034        | 2                    | 14              | BURNER;                                  |
| SEN02145        | 3                    | 1               | SENSOR; FLAME SENSOR, DS, 1.500"         |
| ORF01748        | 5                    | 14              | ORIFICE; STANDARD ORIFICE, (NATURAL GAS) |
| VAL08916        | 6                    | 1               | VALVE; SINGLE STAGE NATURAL(NG)          |
| MFD00847        | 7                    | 1               | MANIFOLD;                                |
| BRK04428        | 8                    | 1               | BRACKET; MANIFOLD BRACKET SUB-ASSY       |

| Part No.    | Reference No. | Quantity | Description              |
|-------------|---------------|----------|--------------------------|
| 000007961~P | *             |          | MODEL NUMBER DESCRIPTION |

| MODEL NUMBER DESCRIPTION   |  | 75013797  | REV<br>A |
|--|--|---|----------|
| Tubular Propeller Fan Units<br>GN Models   |  |   |          |
| MODEL NUMBER EXAMPLE<br>G H N E 0 2 0 A T A 1 0 0 0 J<br>1 2 3 4 5 6 7 8 9 10 11 12 13 14 15 |  |   |          |
| Digit: 1 - Gas Heating Equipment   |  | Digit 12, 13, 14                                      |          |
| G = Gas Heating  |  | 0 = None  |          |
|  |  | S = Special   |          |
| Digit: 2 - Unit Type   |  | Digit 15 - Miscellaneous Options                      |          |
| N = Tubular Propeller Fan Unit   |  | 0 = None  |          |
|  |  | A = #409 Stainless Steel Burners                      |          |
| Digit: 3 - Fuel Type   |  | B = Air Pressure Switch for Elevation Above 5000 Feet |          |
| N = Natural Gas  |  | C = #409 Stainless Steel Flue Collector               |          |
| P = Propane Gas (LP)   |  | D = Summer-Winter Switch                              |          |
| S = Special  |  | E = Vertical Louvers                                  |          |
| Digit 4 - Development: Sequence  |  | J = Totally Enclosed Motor                            |          |
| E = Fifth Generation etc   |  | 7 = OSHA Fan Guard                                    |          |
| Digit 5,6,7 - Input Capacity   |  |   |          |
| 010 = 100 MBh  |  |   |          |
| 012 = 125 MBh  |  |   |          |
| 015 = 150 MBh  |  |   |          |
| 017 = 175 MBh  |  |   |          |
| 020 = 200 MBh  |  |   |          |
| 025 = 250 MBh  |  |   |          |
| 030 = 300 MBh  |  |   |          |
| 035 = 350 MBh  |  |   |          |
| 040 = 400 MBh  |  |   |          |
| Digit 8 - Main Power Supply  |  |   |          |
| A = 115/60/1   |  |   |          |
| B = 230/60/1   |  |   |          |
| C = 208/60/3   |  |   |          |
| D = 230/60/3   |  |   |          |
| E = 460/60/3   |  |   |          |
| F = 575/60/3   |  |   |          |
| G = 208/60/1   |  |   |          |
| S = Special  |  |   |          |
| Digit 9 = Gas Control Option   |  |   |          |
| H = Electronic Modulating W/Room Sensing   |  |   |          |
| L = Electronic Modulating W/External 4-20 mA Input   |  |   |          |
| N = Electronic Modulating W/External 0-10 VDC Input  |  |   |          |
| T = Single Stage, Direct Spark Ignition  |  |   |          |
| V = Two Stage, Direct Spark Ignition   |  |   |          |
| S = Special  |  |   |          |
| Digit 10 - Design Sequence   |  |   |          |
| A = First Design   |  |   |          |
| Digit 11 = Heat Exchanger Material   |  |   |          |
| 1 = Standard (Aluminized Steel)  |  |   |          |
| 2 = #409 Stainless Steel   |  |   |          |
| S = Special  |  |   |          |

| Part No.    | Reference No. | Quantity | Description                 |
|-------------|---------------|----------|-----------------------------|
| 000008106~P | *             |          | PANELS & LOUVERS PARTS LIST |



All orderable Service Parts are identified for this product.  
Parts that are not identified, will not be available to order.

| Part No. | Reference No. | Quantity | Description   |
|----------|---------------|----------|---|
| CAB01185 | *             | 1        | CABLE; IGNITION-36 IN. LONG   |
| CON01299 | *             | 1        | CONNECTOR; MOLEX ASSY(LEADS 19 IN LONG)                                       |
| TUB13642 | *             | 1        | TUBING; VINYL, (PRESSURE SWITCH)  |
| PNL37222 | 1             | 1        | PANEL; RIGHT SIDE JACKET, W/ INSULATION                                       |
| PNL37230 | 2             | 1        | PANEL; BOTTOM BURNER  |
| PNL30475 | 3             | 1        | PANEL; TOP JACKET, W/ INSULATION  |
| SPG00194 | 4             | 8        | SPRING; CONE, ADJUSTABLE LOUVERS FOR HORZ. AND VERT.(ORDER QTY EQUALS PIECES) |
| LVR00111 | 5             | 8        | LOUVER;   |
| PNL30476 | 6             | 1        | PANEL; LEFT SIDE JACKET, W/ INSULATION  |
| PNL37229 | 7             | 1        | PANEL; BOTTOM JACKET, W/ INSULATION   |