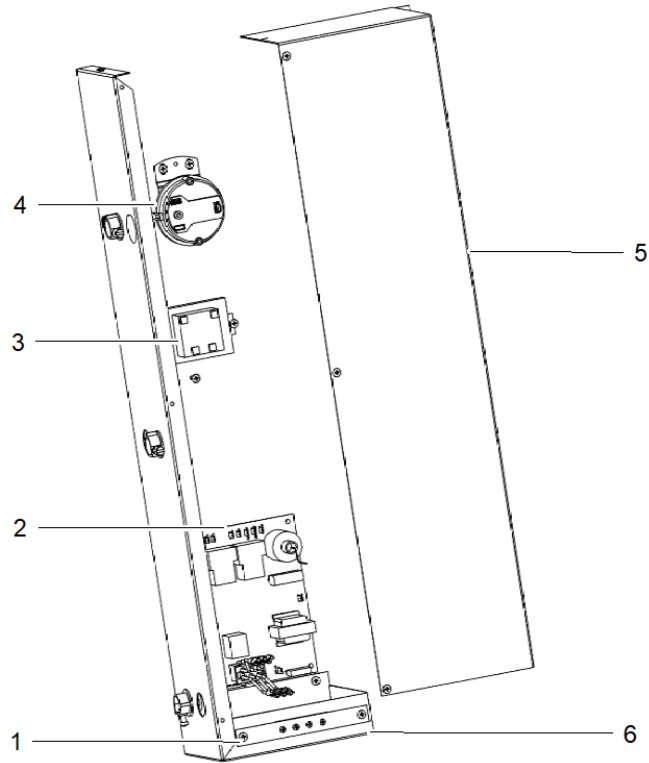


| Part No. | Reference No. | Quantity | Description |
|-----------------|----------------------|-----------------|--|
| 0000094262~S | * | | ELECTRICAL CONTROL BOX |
| 0000094258~S | * | | GENERAL ASSEMBLY |
| 0000094260~S | * | | HEAT EXCHANGER, BLOWER ASSEMBLY, FLUE COLLECTOR, POWER VENTER & TURBULATORS |
| 0000094261~S | * | | MANIFOLD BURNER ASSEMBLY |
| 0000094259~S | * | | MODEL NUMBER DESCRIPTION |
| 0000094208~S | * | | PANELS & LOUVERS |

| Part No. | Reference No. | Quantity | Description |
|-------------|---------------|----------|-----------------------------------|
| 000008166~P | * | | ELECTRICAL CONTROL BOX PARTS LIST |



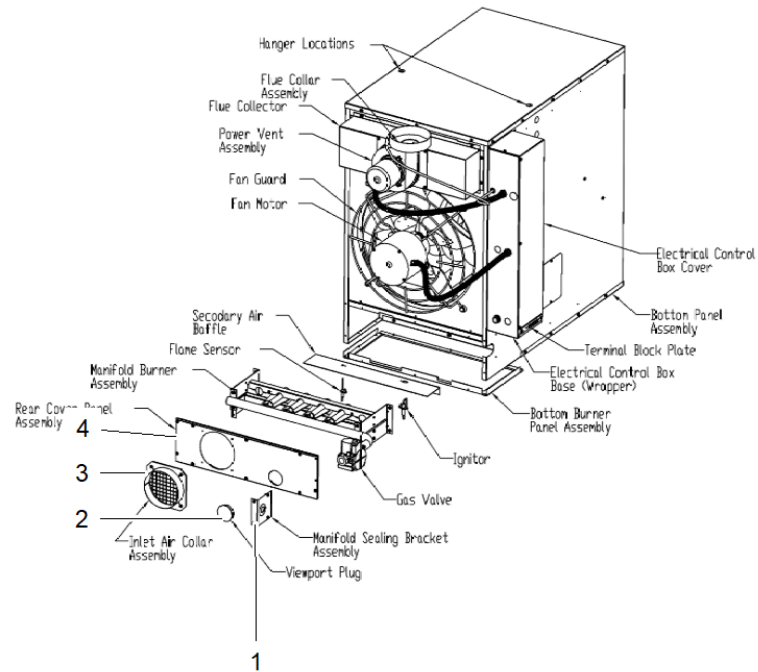
All orderable Service Parts are identified for this product.
Parts that are not identified, will not be available to order.

Parts List Number :0000094220

Model Number :GNNE025ETA20000

| Part No. | Reference No. | Quantity | Description |
|-----------------|----------------------|-----------------|--|
| PLT05204 | 1 | 1 | PLATE; TERMINAL BLOCK |
| BRD03396 | 2 | 1 | BOARD; CONTROL |
| TRR01251 | 3 | 1 | TRANSFORMER; 50VA, 120V PRI., 24V SEC |
| SWT03800 | 4 | 1 | SWITCH; AIR PRESSURE, STD ALT (0-4,999 FT) |
| SWT03802 | 4a | 1 | SWITCH; AIR PRESSURE, HIGH ALT (5,000 FT+) |
| COV02682 | 5 | 1 | COVER; CONTROL BOX |
| BOX01188 | 6 | 1 | BOX; CONTROL |

| Part No. | Reference No. | Quantity | Description |
|-------------|---------------|----------|-----------------|
| 000008776~P | * | | GENERAL ASSY GN |



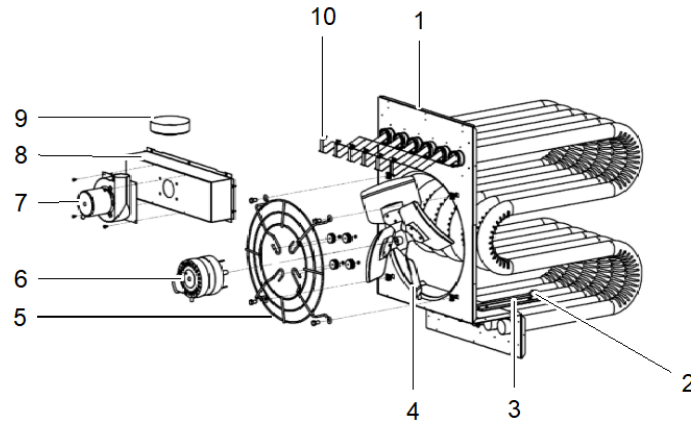
All orderable Service Parts are identified for this product.
Parts that are not identified, will not be available to order.

| Part No. | Reference No. | Quantity | Description |
|-----------------|----------------------|-----------------|--------------------------------|
| BRK05237 | 1 | 1 | BRACKET; MANIFOLD SEALING ASSY |
| GLS01083 | 2 | 1 | GLASS; PEEP HOLE SIGHT |
| CLR00906 | 3 | 1 | COLLAR; INLET AIR |
| PNL37228 | 4 | 1 | PANEL; REAR COVER |

Parts List Number :0000094220

Model Number :GNNE025ETA20000

| Part No. | Reference No. | Quantity | Description |
|-------------|---------------|----------|--|
| 000008007~P | * | | HEAT EXCHANGER, BLOWER ASSEMBLY, FLUE CO |



All orderable Service Parts are identified for this product.
Parts that are not identified, will not be available to order.

This is an optional part. This is not the part that is shown in the diagram.

| Part No. | Reference No. | Quantity | Description |
|----------|---------------|----------|--|
| KIT16766 | * | 1 | KIT; FAN/GUARD/MOTOR MOUNT HARDWARE KIT [QTY. REQ'D PER CAPACITY] |
| EXC02533 | 1 | 1 | EXCHANGER; VESTIBULE PANEL/TUBE ASSY, STAINLESS (HEAT EXCHANGER, INCLUDES TURBULATORS) |
| SWT01036 | 2 | 1 | SWITCH; AUXILARY CONTROL, HIGH LIMIT, 60T23-203675, F170-40, OPENS 130F, CLOSES 170F |
| BRK02536 | 3 | 1 | BRACKET; HIGH LIMIT |
| FAN04813 | 4 | 1 | FAN; BLADE |
| GRD02103 | 5 | 1 | GUARD; FAN GUARD, INCLUDES MOTOR MOUNTING PLATE |
| MOT07943 | 6 | 1 | MOTOR; BLOWER W/CAPACITOR, 1/3 HP, 5.8 AMP, 120/60, OPEN DRIP PROOF |
| BLW00660 | 7 | 1 | BLOWER; ASM., COMBUSTION AIR, W/MOTOR 115/60, 1.8A, |
| FLU00222 | 8 | 1 | FLUE; COLLECTOR BOX 250 TUBULAR |
| ADP00491 | 9 | 1 | ADAPTER; ASM., FLUE COLLAR |
| TRB00229 | 10 | 10 | TURBULATOR; |

| Part No. | Reference No. | Quantity | Description |
|-------------|---------------|----------|-------------------------------------|
| 000008743~P | * | | MANIFOLD BURNER ASSEMBLY PARTS LIST |



All orderable Service Parts are identified for this product.
Parts that are not identified, will not be available to order.

Parts List Number :000094220

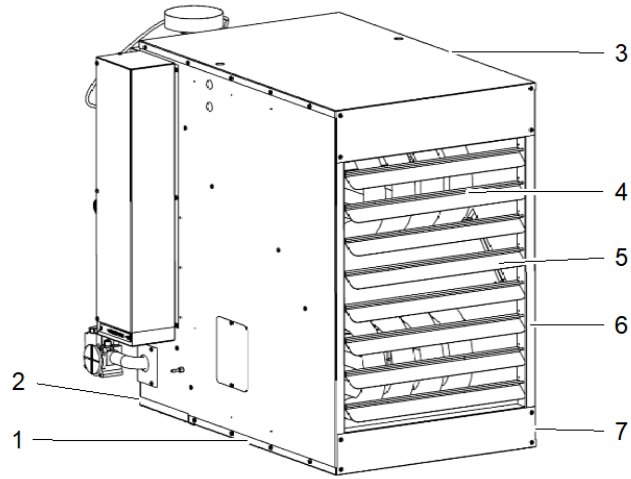
Model Number :GNNE025ETA20000

| Part No. | Reference No. | Quantity | Description |
|-----------------|----------------------|-----------------|--|
| CNT05013 | 1 | 1 | CONTROL; SPARK IGNITOR |
| BNR01034 | 2 | 10 | BURNER; |
| SEN02145 | 3 | 1 | SENSOR; FLAME SENSOR, DS, 1.500" |
| ORF01748 | 5 | 10 | ORIFICE; STANDARD ORIFICE, (NATURAL GAS) |
| VAL08914 | 6 | 1 | VALVE; SINGLE STAGE NATURAL GAS |
| MFD00845 | 7 | 1 | MANIFOLD; |
| BRK04427 | 8 | 1 | BRACKET; MANIFOLD BRACKET SUB-ASSY |

| Part No. | Reference No. | Quantity | Description |
|-------------|---------------|----------|--------------------------|
| 000007961~P | * | | MODEL NUMBER DESCRIPTION |

| MODEL NUMBER DESCRIPTION | | 75013797 | REV A |
|--|--|---|----------|
| Tubular Propeller Fan Units GN Models | | | |
| MODEL NUMBER EXAMPLE G H N E 0 2 0 A T A 1 0 0 0 J 1 2 3 4 5 6 7 8 9 10 11 12 13 14 15 | | | |
| Digit: 1 - Gas Heating Equipment | | Digit 12, 13, 14 | |
| G = Gas Heating | | 0 = None | |
| | | S = Special | |
| Digit: 2 - Unit Type | | Digit 15 - Miscellaneous Options | |
| N = Tubular Propeller Fan Unit | | 0 = None | |
| | | A = #409 Stainless Steel Burners | |
| Digit: 3 - Fuel Type | | B = Air Pressure Switch for Elevation Above 5000 Feet | |
| N = Natural Gas | | C = #409 Stainless Steel Flue Collector | |
| P = Propane Gas (LP) | | D = Summer-Winter Switch | |
| S = Special | | E = Vertical Louvers | |
| Digit 4 - Development: Sequence | | J = Totally Enclosed Motor | |
| E = Fifth Generation etc | | 7 = OSHA Fan Guard | |
| Digit 5,6,7 - Input Capacity | | | |
| 010 = 100 MBh | | | |
| 012 = 125 MBh | | | |
| 015 = 150 MBh | | | |
| 017 = 175 MBh | | | |
| 020 = 200 MBh | | | |
| 025 = 250 MBh | | | |
| 030 = 300 MBh | | | |
| 035 = 350 MBh | | | |
| 040 = 400 MBh | | | |
| Digit 8 - Main Power Supply | | | |
| A = 115/60/1 | | | |
| B = 230/60/1 | | | |
| C = 208/60/3 | | | |
| D = 230/60/3 | | | |
| E = 460/60/3 | | | |
| F = 575/60/3 | | | |
| G = 208/60/1 | | | |
| S = Special | | | |
| Digit 9 = Gas Control Option | | | |
| H = Electronic Modulating W/Room Sensing | | | |
| L = Electronic Modulating W/External 4-20 mA Input | | | |
| N = Electronic Modulating W/External 0-10 VDC Input | | | |
| T = Single Stage, Direct Spark Ignition | | | |
| V = Two Stage, Direct Spark Ignition | | | |
| S = Special | | | |
| Digit 10 - Design Sequence | | | |
| A = First Design | | | |
| Digit 11 = Heat Exchanger Material | | | |
| 1 = Standard (Aluminized Steel) | | | |
| 2 = #409 Stainless Steel | | | |
| S = Special | | | |

| Part No. | Reference No. | Quantity | Description |
|-------------|---------------|----------|-----------------------------|
| 000008120~P | * | | PANELS & LOUVERS PARTS LIST |



All orderable Service Parts are identified for this product.
Parts that are not identified, will not be available to order.

| Part No. | Reference No. | Quantity | Description |
|-----------------|----------------------|-----------------|---|
| CAB01185 | * | 1 | CABLE; IGNITION-36 IN. LONG |
| CON01299 | * | 1 | CONNECTOR; MOLEX ASSY(LEADS 19 IN LONG) |
| TUB13641 | * | 1 | TUBING; VINYL, (PRESSURE SWITCH) |
| PNL37222 | 1 | 1 | PANEL; RIGHT SIDE JACKET, W/ INSULATION |
| PNL37227 | 2 | 1 | PANEL; BOTTOM BURNER |
| PNL30474 | 3 | 1 | PANEL; TOP JACKET, W/ INSULATION |
| SPG00194 | 4 | 8 | SPRING; CONE, ADJUSTABLE LOUVERS FOR HORZ. AND VERT.(ORDER QTY EQUALS PIECES) |
| LVR00110 | 5 | 8 | LOUVER; |
| PNL30476 | 6 | 1 | PANEL; LEFT SIDE JACKET, W/ INSULATION |
| PNL37226 | 7 | 1 | PANEL; BOTTOM JACKET, W/ INSULATION |