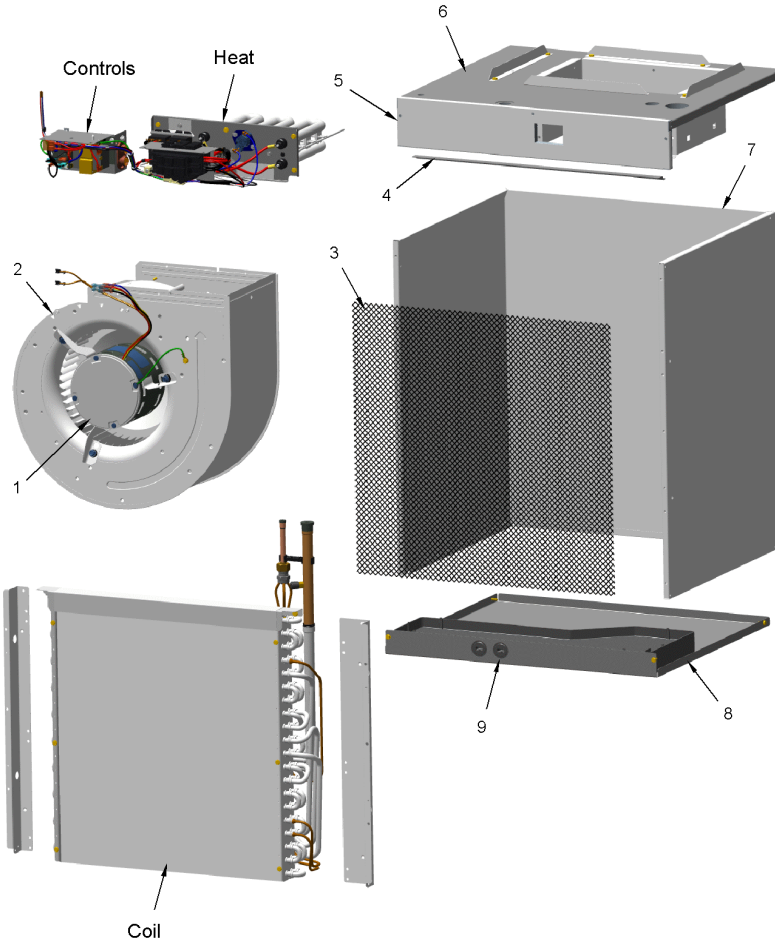


OVER THE WATER HEATER

75012990

RP
A



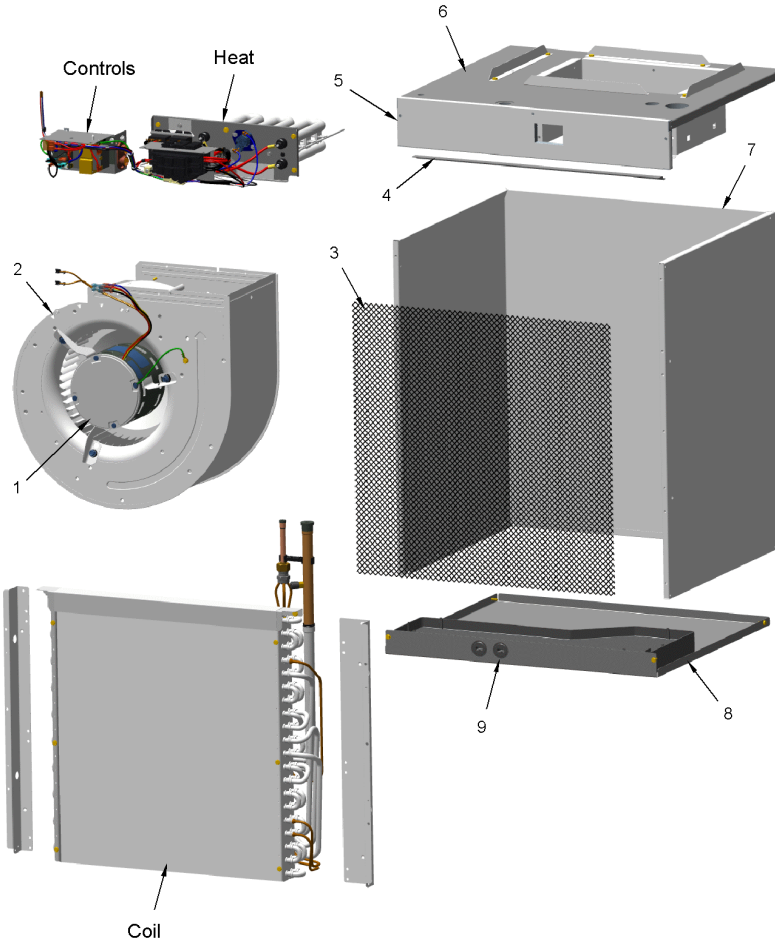
This is a typical illustration. The unit in the field may not appear exactly as shown.

Part No.	Reference No.	Quantity	Description
75012994#GMUVUP1~S	*		COIL
75013031#GMUVUP1~S	*		CONTROLS
75012993#GMUVUP1~S	*		ELECTRIC HEATER
75012995#GMUVUP1~S	*		MODEL NUMBER DESCRIPTION
NGMUV#GMUVUP1~S	*		OPTIONAL ACCESSORIES
75012990_GMUVUP1_239962~P	*		OVER THE WATER HEATER PARTS LIST

OVER THE WATER HEATER

75012990

RP
A



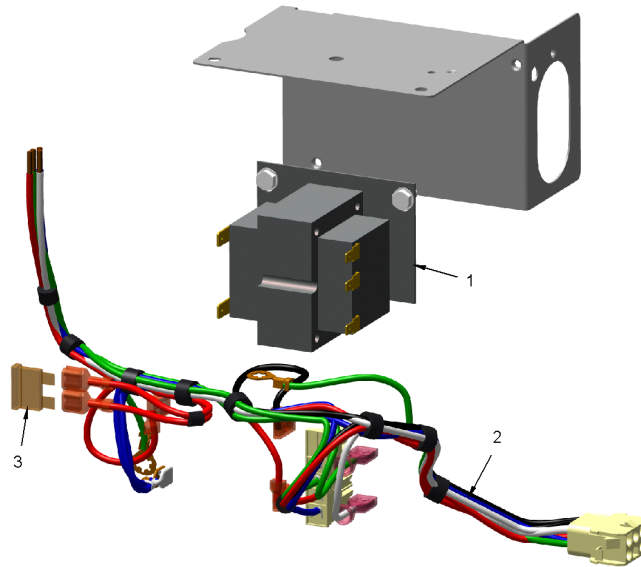
This is a typical illustration. The unit in the field may not appear exactly as shown.

Part No.	Reference No.	Quantity	Description
FLR01060	*	1	FILTER; THROWAWAY, 20 X 24 X 1
BLW01485	1	1	HOUSING; BLOWER, INCLUDES THE WHEEL THAT IS NOT AVAILABLE SEPARATELY
MOT18751	2	1	MOTOR; CONSTANT TORQUE, 1/3 HP, 230/60/1, 1200-400 RPM, CW
GRD02046	3	1	GUARD; COIL KIT
BRK05061	4	1	BRACKET; WALL
PNL36129	6	1	PANEL; TOP
PNL36128	7	1	PANEL; WRAPPER ASSEMBLY
PAN04185	8	1	PAN; DRAIN
PLU01169	9	2	PLUG; THREADED 3/4

CONTROLS

75013031

RP
A



This is a typical illustration. The unit in the field may not appear exactly as shown.

CONTROLS

Parts List Number :75012990#GMUVUP1

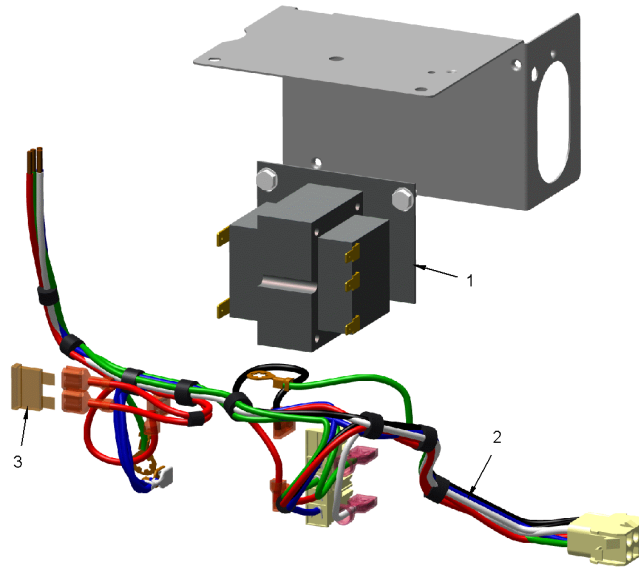
Model Number :GMV2AEB39101SAA

Part No.	Reference No.	Quantity	Description
75013031_GMUVUP1_239966~P	*		CONTROLS PARTS LIST

CONTROLS

75013031

RP
A



This is a typical illustration. The unit in the field may not appear exactly as shown.

CONTROLS PARTS LIST

Parts List Number :75012990#GMUVUP1

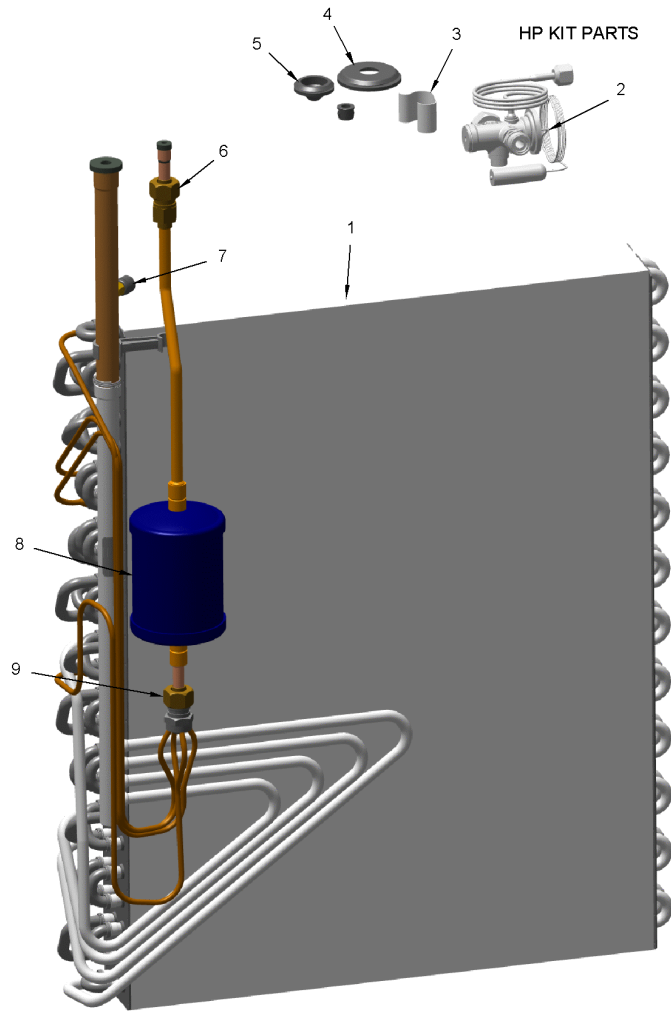
Model Number :GMV2AEB39101SAA

Part No.	Reference No.	Quantity	Description
SCR00965	*	4	SCREW, 10-16 AB HXW 1/2 S N
TRR01557	1	1	TRANSFORMER; 40VA, 200/230V PRI, 24V SEC
WIR09458	2	1	WIRE; HARNESS
FUS01089	3	1	FUSE; 5 AMP, TAN, AUTOMOTIVE STYLE

COIL

75012994

RP
A



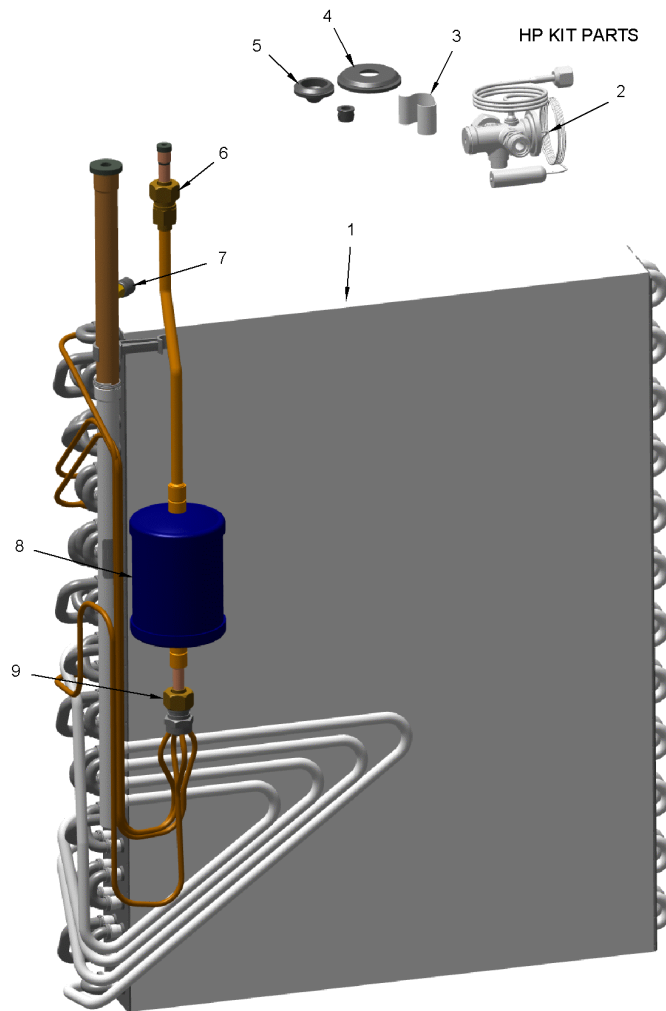
This is a typical illustration. The unit in the field may not appear exactly as shown.

Part No.	Reference No.	Quantity	Description
75012994_GMUVUP1_310303~P	*		COIL PARTS LIST

COIL

75012994

RP
A



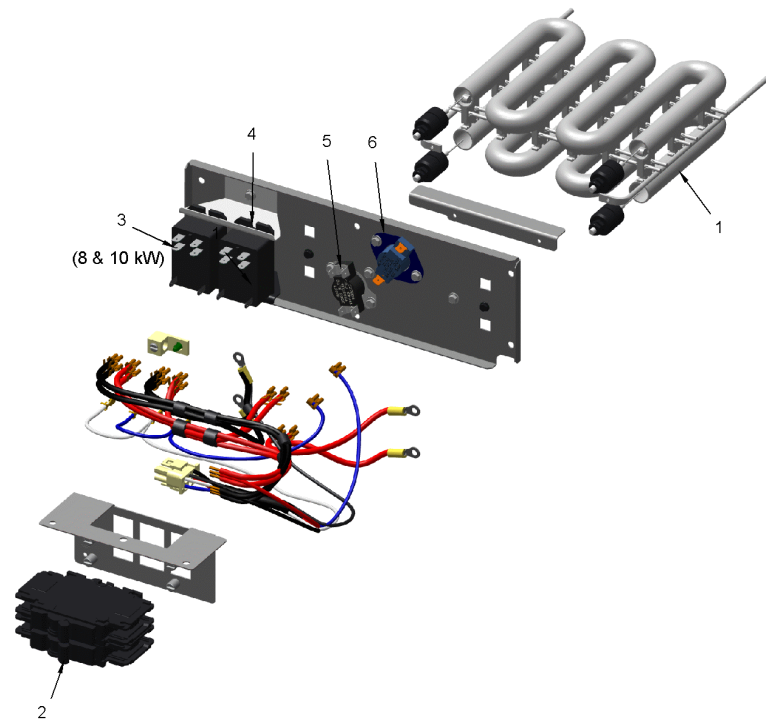
This is a typical illustration. The unit in the field may not appear exactly as shown.

Part No.	Reference No.	Quantity	Description
COL28564	1	1	COIL; RPS COIL CA32414-4
VAL19133	2	1	VALVE; TXV
CLP01072	3	1	CLIP; BULB (BLUE), 3/4 OD TUBE
GRM00863	4	1	GROMMET; SUCTION GROMMET
GRM00864	5	1	GROMMET; CONE GROMMET, LIQUID LINE
NUT01223	6	1	NUT; HEX NUT, 7/8, 3/4-20-2B UNEF THREAD
WAS01180	6	1	WASHER; TEFLON, 0.46 ID X 0.56 OD X 0.056 THK
BOD00114	7	1	BODY; VALVE, BRASS, 7/16 HEX, 7/16 -20 UNF-2A
CAP00455	7	1	CAP; HUB, 7/16-20 STRAIGHT
MFL00806	8	1	MUFFLER; 1/2 ODF CONNECTION (DRIER COULD BE PAINTED EITHER SMOKE GRAY OR NAVY BLUE)
MFL01028	8	1	MUFFLER; CHARGE ROBBER ASSEMBLY
NUT01223	9	1	NUT; HEX NUT, 7/8, 3/4-20-2B UNEF THREAD

ELECTRIC HEATER

75012993

RP
A



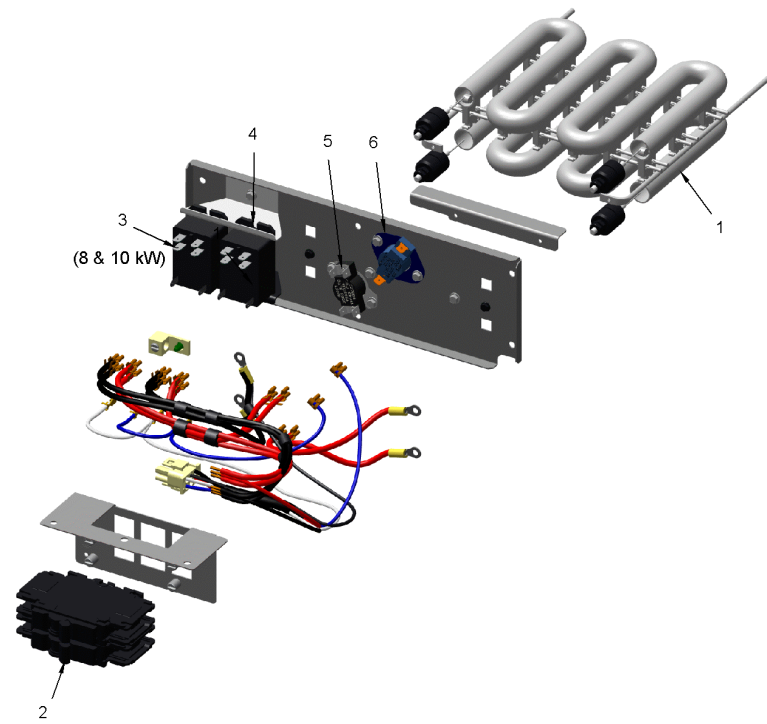
This is a typical illustration. The unit in the field may not appear exactly as shown.

Part No.	Reference No.	Quantity	Description
75012993_GMUVUP1_310302~P	*		ELECTRIC HEATER PARTS LIST

ELECTRIC HEATER

75012993

RP
A



This is a typical illustration. The unit in the field may not appear exactly as shown.

ELECTRIC HEATER PARTS LIST

Parts List Number :75012990#GMUVUP1

Model Number :GMV2AEB39101SAA

Part No.	Reference No.	Quantity	Description
RCK04297	1	1	RACK; HEATER 10 KW
BKR02124	2	1	BREAKER; CIRCUIT, 60 AMP
RLY03742	3	1	RELAY; 24V AC, 240V, DPST-NO
RLY03742	4	1	RELAY; 24V AC, 240V, DPST-NO
SWT04230	5	1	SWITCH; THERMAL CUTOFF
THT03064	6	1	THERMOSTAT; LIMIT SWITCH, OPEN AT 165F, CLOSE AT 105F

MODEL NUMBER DESCRIPTION
OVER THE WATER HEATER

75012995

RP
A

Example Model Number:
GMV 2 A P B 3 2 0 8 1 S A A
1 - - - - 5 - - - - 10 - - - - 15

Digit 1 – Brand
G = Good

Digit 2 – Product Type
M = Metal Over the Water Heater

Digit 3 – Convertibility
U = Upflow, Front Return with Orifice, Cooling Only
V = Upflow, Front Return with TXV, Heating Only

Digit 4 – Product Tier
2 = Entry Level Value

Digit 5 – Major Design Change

Digit 6 – Motor Type
P = PSC (3 Motor Taps)
E = ECM (5 Motor Taps)

Digit 7 – Cabinet Size (W X D)
B = 22.0 x 19.0

Digits 8, 9 – Cooling Size
0-9 = AH Coil - 1000 BTU's (24, 26, 30, 32, 37, 39)

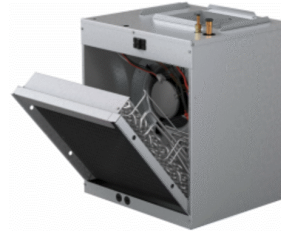
Digits 10, 11 – Factory Installed Electric Heat
05 = 5 kW
08 = 8 kW
10 = 10 kW

Digit 12 – Factory Installed Electric Heat
1 = 208-230/1/60

Digit 13 – System Control Type
S = Standard - 24 VAC

Digit 14 – Minor Design Change

Digit 15 – Service Digit



Part No.	Reference No.	Quantity	Description
75012995_GMUVUP1_239965~P	*		MODEL NUMBER DESCRIPTION PARTS LIST

MODEL NUMBER DESCRIPTION
OVER THE WATER HEATER

75012995

RP
A

Example Model Number:
GMV 2 A P B 3 2 0 8 1 S A A
1 - - - - 5 - - - - 10 - - - - 15

Digit 1 – Brand
G = Good

Digit 2 – Product Type
M = Metal Over the Water Heater

Digit 3 – Convertibility
U = Upflow, Front Return with Orifice, Cooling Only
V = Upflow, Front Return with TXV, Heating Only

Digit 4 – Product Tier
2 = Entry Level Value

Digit 5 – Major Design Change

Digit 6 – Motor Type
P = PSC (3 Motor Taps)
E = ECM (5 Motor Taps)

Digit 7 – Cabinet Size (W X D)
B = 22.0 x 19.0

Digits 8, 9 – Cooling Size
0-9 = AH Coil - 1000 BTU's (24, 26, 30, 32, 37, 39)

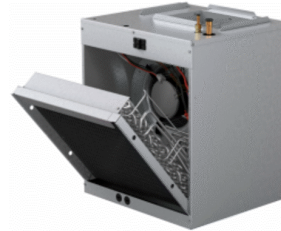
Digits 10, 11 – Factory Installed Electric Heat
05 = 5 kW
08 = 8 kW
10 = 10 kW

Digit 12 – Factory Installed Electric Heat
1 = 208-230/1/60

Digit 13 – System Control Type
S = Standard - 24 VAC

Digit 14 – Minor Design Change

Digit 15 – Service Digit



Part No.	Reference No.	Quantity	Description
NGMUV_GMUVUP1_MISSING_0055~P	*		OPTIONAL ACCESSORIES PARTS LIST - Additional Parts
NGMUV_GMUVUP1_MISSING_0056~P	*		OPTIONAL ACCESSORIES PARTS LIST - Additional Parts
NGMUV_GMUVUP1_MISSING_0057~P	*		OPTIONAL ACCESSORIES PARTS LIST - Additional Parts
NGMUV_GMUVUP1_MISSING_0058~P	*		OPTIONAL ACCESSORIES PARTS LIST - Additional Parts
NGMUV_GMUVUP1_MISSING_0059~P	*		OPTIONAL ACCESSORIES PARTS LIST - Additional Parts
NGMUV_GMUVUP1_MISSING_0060~P	*		OPTIONAL ACCESSORIES PARTS LIST - Additional Parts
NGMUV_GMUVUP1_MISSING_0061~P	*		OPTIONAL ACCESSORIES PARTS LIST - Additional Parts
NGMUV_GMUVUP1_MISSING_0062~P	*		OPTIONAL ACCESSORIES PARTS LIST - Additional Parts
NGMUV_GMUVUP1_310304~P	*		OPTIONAL ACCESSORIES PARTS LIST

Part No.	Reference No.	Quantity	Description
BAYFRT1LVPNL30	*	1	ACCESSORY; KIT-RETURN PANEL (LARGE, 1PACK)
BAYFRT5LVPNL30	*	1	ACCESSORY; KIT-RETURN PANEL (LARGE, 5PK)
BAYHTRG610BRKA	*	1	HEATER 10KW-1PH
BAYORIACHP0049	*	1	KIT RESTRICTOR ORIFICE
BAYORIACHP0057	*	1	KIT RESTRICTOR ORIFICE
BAYORIACHP0061	*	1	KIT RESTRICTOR ORIFICE
BAYORIACHP0067	*	1	KIT RESTRICTOR ORIFICE
BAYTGM1WALLPNL	*	1	ACCESSORY; KIT-RETURN WALL PANEL (1PACK)
BAYTGM5WALLPNL	*	1	ACCESSORY; KIT-RETURN WALL PANEL (5PACK)

NO GRAPHIC AVAILABLE

75013702

REV
A

**NO
GRAPHIC
AVAILABLE**

Parts List Number :75012990#GMUVUP1

Model Number :GMV2AEB39101SAA

Part No.	Reference No.	Quantity	Description
BAYFRT1LVPNL30A	*	1	FRONT PANEL - LARGE - SINGLE

NO GRAPHIC AVAILABLE

75013702

REV
A

**NO
GRAPHIC
AVAILABLE**

Parts List Number :75012990#GMUVUP1

Model Number :GMV2AEB39101SAA

Part No.	Reference No.	Quantity	Description
BAYFRT5LVPNL30A	*	1	FRONT PANEL - LARGE - 5PK

NO GRAPHIC AVAILABLE

75013702

REV
A

**NO
GRAPHIC
AVAILABLE**

Parts List Number :75012990#GMUVUP1

Model Number :GMV2AEB39101SAA

Part No.	Reference No.	Quantity	Description
BAYORIACHP0049A	*	1	KIT RESTRICTOR ORIFICE

NO GRAPHIC AVAILABLE

75013702

REV
A

**NO
GRAPHIC
AVAILABLE**

Parts List Number :75012990#GMUVUP1

Model Number :GMV2AEB39101SAA

Part No.	Reference No.	Quantity	Description
BAYORIACHP0057A	*	1	KIT RESTRICTOR ORIFICE

NO GRAPHIC AVAILABLE

75013702

REV
A

**NO
GRAPHIC
AVAILABLE**

Parts List Number :75012990#GMUVUP1

Model Number :GMV2AEB39101SAA

Part No.	Reference No.	Quantity	Description
BAYORIACHP0061A	*	1	KIT RESTRICTOR ORIFICE

NO GRAPHIC AVAILABLE

75013702

REV
A

**NO
GRAPHIC
AVAILABLE**

Parts List Number :75012990#GMUVUP1

Model Number :GMV2AEB39101SAA

Part No.	Reference No.	Quantity	Description
BAYORIACHP0067A	*	1	KIT RESTRICTOR ORIFICE

NO GRAPHIC AVAILABLE

75013702

REV
A

**NO
GRAPHIC
AVAILABLE**

Parts List Number :75012990#GMUVUP1

Model Number :GMV2AEB39101SAA

Part No.	Reference No.	Quantity	Description
BAYTGM1WALLPNLA	*	1	WALL PANEL - SINGLE

NO GRAPHIC AVAILABLE

75013702

REV
A

**NO
GRAPHIC
AVAILABLE**

Parts List Number :75012990#GMUVUP1

Model Number :GMV2AEB39101SAA

Part No.	Reference No.	Quantity	Description
BAYTGM5WALLPNLA	*	1	WALL PANEL - 5PK