

| Part No. | Reference No. | Quantity | Description |
|-------------------------------|---------------|----------|--------------------------------------|
| GMND0108#GMNDUP1~S | * | | CANADIAN STANDARD VENT CAP & ADAPTER |
| 75000241#GMNDUP1~S | * | | COMBUSTION CHAMBER ASSEMBLY |
| 75003576#GMNDUP1~S | * | | FURNACE ASSEMBLY |
| 75003574#GMNDUP1~S | * | | GENERAL ASSEMBLY |
| 75000357#GMNDUP1~S | * | | IGNITION CONTROL ASSEMBLY - G770MGA |
| 75000246#GMNDUP1~S | * | | IGNITION CONTROL ASSEMBLY - S8600F |
| 75000359#GMNDUP1~S | * | | IGNITION CONTROL ASSEMBLY - S8600H |
| 75003573#GMNDUP1~S | * | | MODEL NUMBER DESCRIPTION |
| 75000243#GMNDUP1~S | * | | PILOT BURNER ASSEMBLY |
| 75000245#GMNDUP1~S | * | | PILOT BURNER ASSEMBLY |
| 75003575#GMNDUP1~S | * | | POWER VENT ASSEMBLY |
| GMND0001_GMNDUP1_113282~ P | * | | TOP LEVEL PARTS LIST |

NO GRAPHIC AVAILABLE

75013702

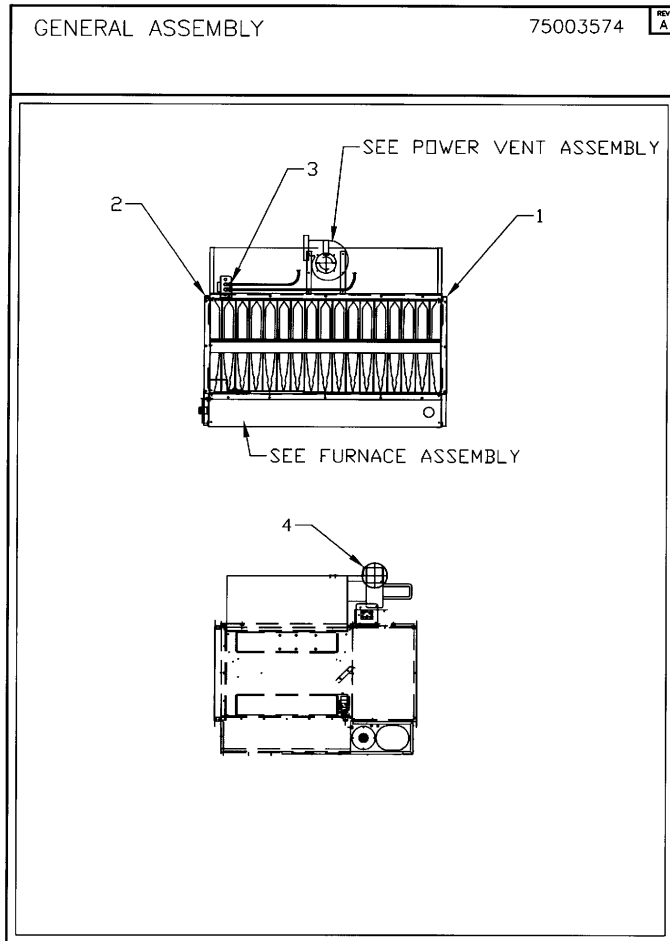
REV
A

**NO
GRAPHIC
AVAILABLE**

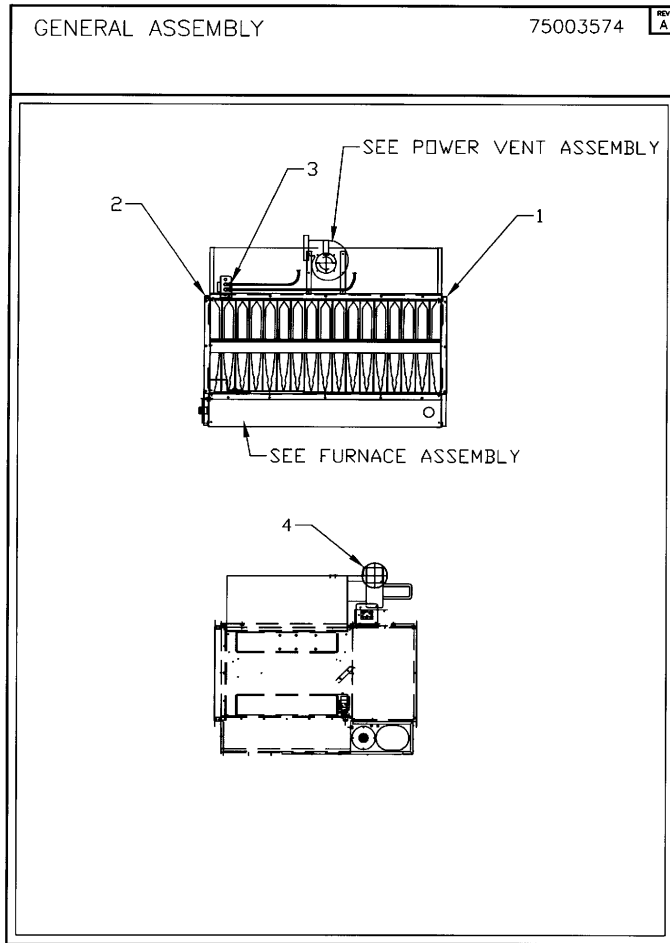
| MODEL NUMBER DESCRIPTION | 75003573 | REV B |
|--|--|----------|
| DIGIT 1: Gas Heating Equipment | R =Hydraulic Modulating With Bypass Intermittent Pilot Ignition (75-150°F) | |
| DIGIT 2: Unit Type M = Separated Combustion Gas Fired Indoor Duct Furnace | S =Special | |
| DIGIT 3: Fuel | *Specify discharge temperature | |
| N = Natural P = LP Gas (Propane) S = Special | DIGIT 10: Design Sequence E = Fifth Design | |
| DIGIT 4: Development Sequence D = Forth | DIGIT 11: Heat Exchanger Matl 1 = Aluminized Steel 2 = #409 Stainless Steel 3 = #321 Stainless Steel S = Special | |
| DIGIT 5,6,7: Input Capacity 010 =100 MBh 022 =220 MBh 012 =125 MBh 025 =230 MBh 015 =150 MBh 030 =300 MBh 017 =170 MBh 035 =350 MBh 020 =200 MBh 040 =400 MBh | DIGIT 12: Rooftop Arrangement 0 = None S = Special | |
| DIGIT 8: Main Power Supply A = 115/60/1 D = 230/60/3 B = 230/60/1 E = 460/60/3 C = 208/60/3 S = Special | DIGIT 13: Rooftop Heating Unit Motor Selection 0 = None S = Special | |
| DIGIT 9: Gas Control Options A =Single-Stage Standing Pilot C =Hydraulic Modulating Standing Pilot* D =Single-Stage, Intermittent Pilot Ignition E =Two-Stage, Intermittent Pilot Ignition F =Hydraulic Modulating Intermittent Pilot Ign.,60-100°F Only G =Hydraulic Modulating With Bypass, Inter. Pilot Ign. 60-100°F Only H =Electronic Modulating With Room-Stat, Intermittent Pilot Ignition J =Electronic Modulating With Duct-Stat, Intermittent Pilot Ignition K =Single Stage, Hot Surface Pilot Ignition L =Electronic Modulating With External 4-20mA Input N =Electronic Modulating With External 0-10VDC Input P =Hydraulic Modulating, Intermittent Pilot Ignition (75-150°F) | DIGIT 14: Rooftop Fan Selection 0 = None S = Special | |
| | DIGIT 15: Miscellaneous Options All Units 0 = None A = #409 Stainless Steel Burners B = Drifces for Elevation Above 2000 Feet (Specify Elevation) S = Special | |
| | Separated Combustion Gas Fitted Indoor Duct Furnace C = #409 Stainless Steel Draft Diverter D = Summer/Winter Switch F = Horizontal Louvers G = Vertical & Horizontal Louvers | |

| Part No. | Reference No. | Quantity | Description |
|---------------------------|---------------|----------|-------------------------------------|
| 75003573_GMNDUP1_113307~P | * | | MODEL NUMBER DESCRIPTION PARTS LIST |

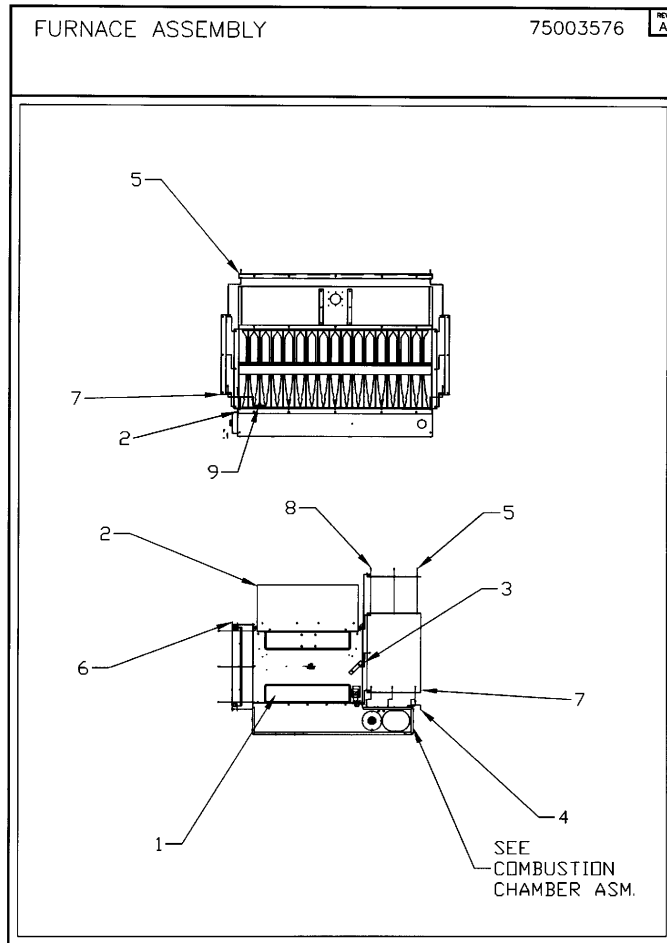
| MODEL NUMBER DESCRIPTION | 75003573 | REV B |
|--|---|----------|
| DIGIT 1: Gas Heating Equipment | R =Hydraulic Modulating With Bypass Intermittent Pilot Ignition (75-150°F) | |
| DIGIT 2: Unit Type M = Separated Combustion Gas Fired Indoor Duct Furnace | S =Special *Specify discharge temperature | |
| DIGIT 3: Fuel N = Natural P = LP Gas (Propane) S = Special | DIGIT 10: Design Sequence E = Fifth Design | |
| DIGIT 4: Development Sequence D = Forth | DIGIT 11: Heat Exchanger Matl 1 = Aluminized Steel 2 = #409 Stainless Steel 3 = #321 Stainless Steel S = Special | |
| DIGIT 5,6,7: Input Capacity 010 =100 MBh 022 =220 MBh 012 =125 MBh 025 =230 MBh 015 =150 MBh 030 =300 MBh 017 =170 MBh 035 =350 MBh 020 =200 MBh 040 =400 MBh | DIGIT 12: Rooftop Arrangement 0 = None S = Special | |
| DIGIT 8: Main Power Supply A = 115/60/1 D = 230/60/3 B = 230/60/1 E = 460/60/3 C = 208/60/3 S = Special | DIGIT 13: Rooftop Heating Unit Motor Selection 0 = None S = Special | |
| DIGIT 9: Gas Control Options A =Single-Stage Standing Pilot C =Hydraulic Modulating Standing Pilot* D =Single-Stage, Intermittent Pilot Ignition E =Two-Stage, Intermittent Pilot Ignition F =Hydraulic Modulating Intermittent Pilot Ign.,60-100°F Only G =Hydraulic Modulating With Bypass, Inter. Pilot Ign. 60-100°F Only H =Electronic Modulating With Room-Stat, Intermittent Pilot Ignition J =Electronic Modulating With Duct-Stat, Intermittent Pilot Ignition K =Single Stage, Hot Surface Pilot Ignition L =Electronic Modulating With External 4-20mA Input N =Electronic Modulating With External 0-10VDC Input P =Hydraulic Modulating, Intermittent Pilot Ignition (75-150°F) | DIGIT 14: Rooftop Fan Selection 0 = None S = Special DIGIT 15: Miscellaneous Options All Units 0 = None A = #409 Stainless Steel Burners B = Orifices for Elevation Above 2000 Feet (Specify Elevation) S = Special | |
| | Separated Combustion Gas Fitted Indoor Duct Furnace C = #409 Stainless Steel Draft Diverter D = Summer/Winter Switch F = Horizontal Louvers G = Vertical & Horizontal Louvers | |



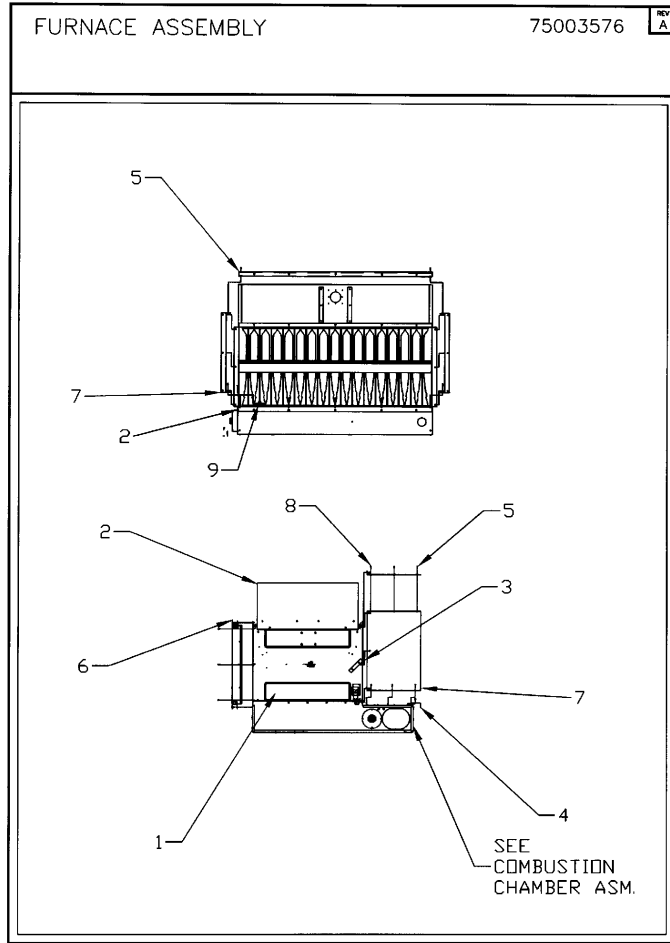
| Part No. | Reference No. | Quantity | Description |
|---------------------------|---------------|----------|-----------------------------|
| 75003574_GMNDUP1_113310~P | * | | GENERAL ASSEMBLY PARTS LIST |



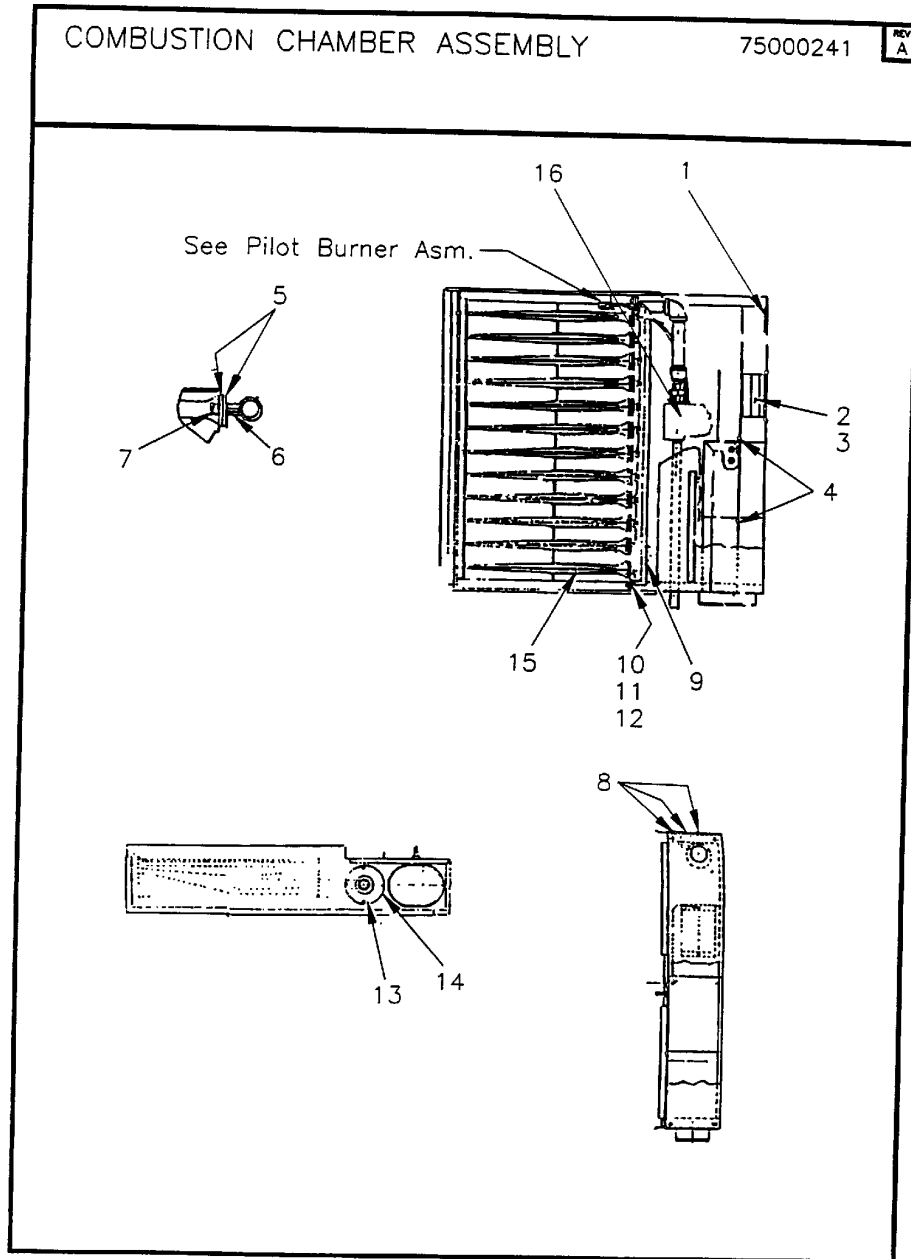
| Part No. | Reference No. | Quantity | Description |
|-----------------|----------------------|-----------------|----------------------------------|
| PNE09545 | 1 | 1 | PANEL; R.H JACKET |
| PNE09546 | 2 | 1 | PANEL; LH JACKET |
| BRK02457 | 3 | 1 | BRACKET; JUNCTION BOX |
| BRK02458 | 4 | 1 | BRACKET; SUPPORT, HOZ RH TURN PV |



| Part No. | Reference No. | Quantity | Description |
|---------------------------|---------------|----------|-----------------------------|
| 75003576_GMNDUP1_145284~P | * | | FURNACE ASSEMBLY PARTS LIST |



| Part No. | Reference No. | Quantity | Description |
|-----------------|----------------------|-----------------|---|
| EXC01760 | 1 | 1 | EXCHANGER; HEAT, 409SS |
| FLU00085 | 2 | 1 | FLUE;COLLECTOR - ALUMINIZED HORZ PBE&DE |
| BAF00269 | 3 | 1 | BAFFLE; HEAT EXCHANGER AIR |
| PNE09556 | 4 | 1 | PANEL; EXTENSION BOTTOM |
| PNE09566 | 5 | 1 | PANEL; EXTENSION TOP |
| PNE09576 | 6 | 1 | PANEL; DUCT EXTENSION ASM. |
| PNE09577 | 7 | 2 | PANEL; EXTENSION SIDE |
| SCR00769 | 8 | 0 | SCREW; #8, PHILIPS PAN HEAD,1/2 IN. LG. |
| BRK02941 | 9 | 1 | BRACKET; RPL HIGH LIMIT FOR 100/125 ROOFTOP UNIT, STERLING L. H., TRANE R.H. |
| SWT01743 | 9 | 1 | SWITCH; HIGH LIMIT, 190 DEGREE, 2 PRONG |
| SWT01744 | 9 | 1 | SWITCH; HI LIMIT, 190 DEGREE, 3 PRONG |



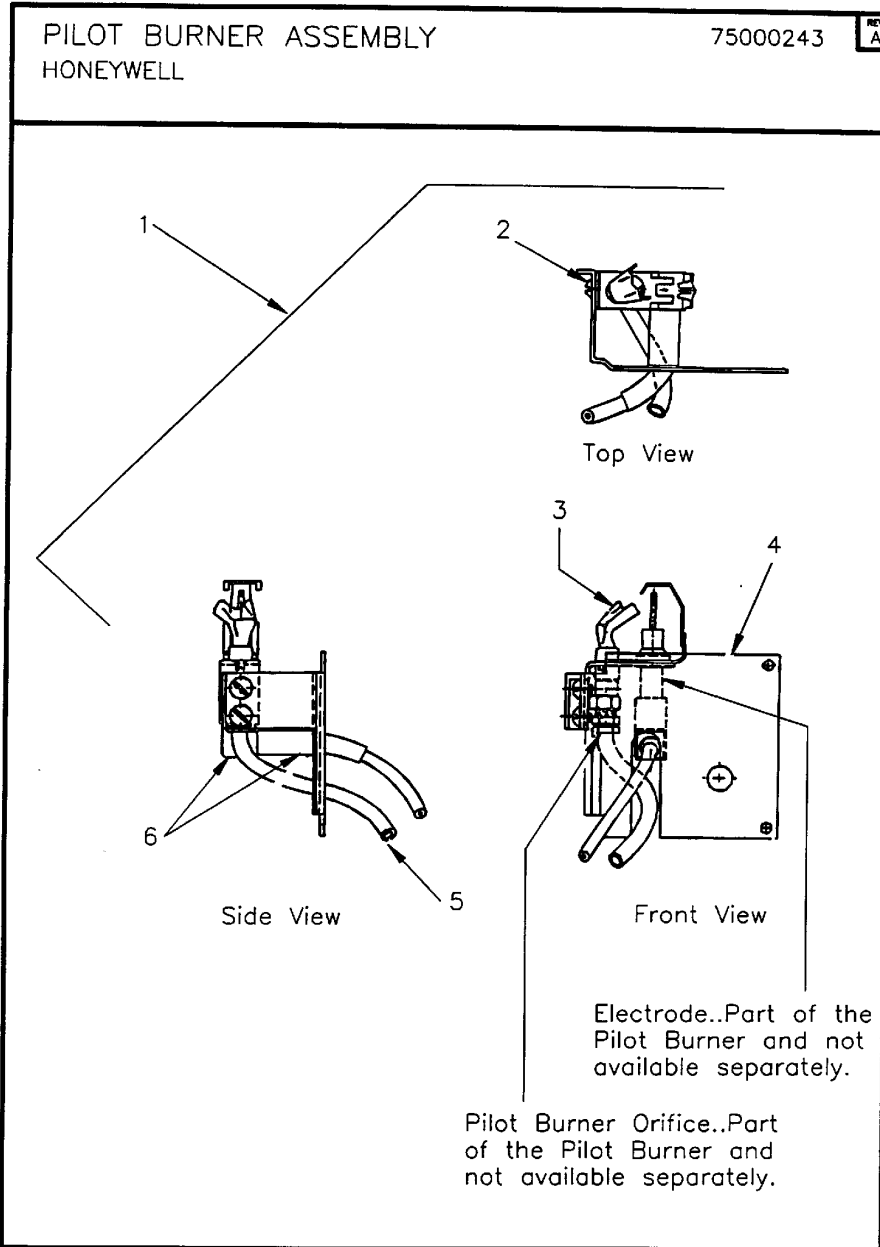
| Part No. | Reference No. | Quantity | Description |
|---------------------------|---------------|----------|--|
| 75000241_GMNDUP1_233963~P | * | | COMBUSTION CHAMBER ASSEMBLY PARTS LIST |



Parts List Number :GMND0001#GMNDUP1

Model Number :GMND040AEG2000A

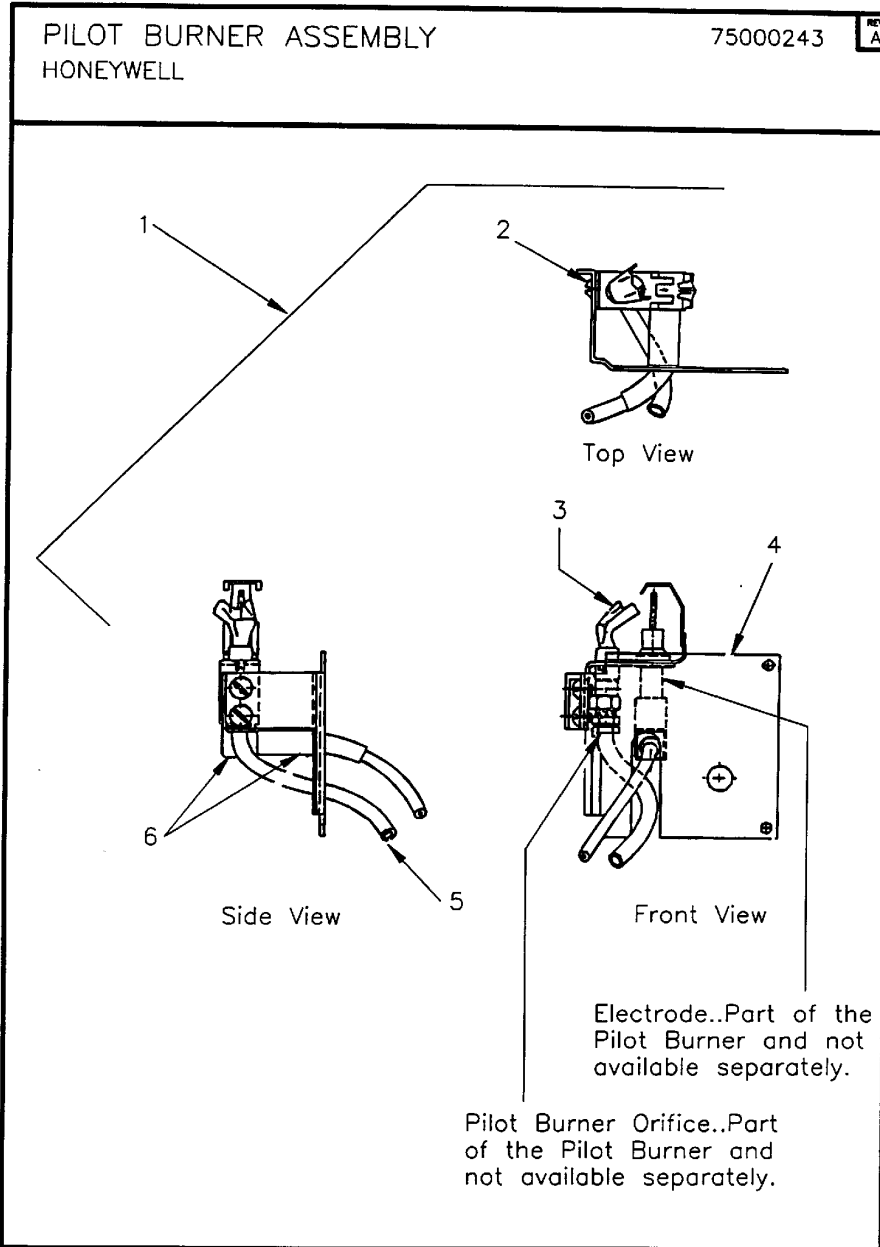
| Part No. | Reference No. | Quantity | Description |
|----------|---------------|----------|--|
| GLS00172 | 1 | 1 | GLASS;WINDOW VIEWING, 1 1/2 INCHES |
| BRK01003 | 2 | 1 | BRACKET; HONEYWELL IGNITOR MOUNTING |
| SCR00769 | 3 | 2 | SCREW; #8, PHILIPS PAN HEAD,1/2 IN. LG. |
| SCR00769 | 4 | 0 | SCREW; #8, PHILIPS PAN HEAD,1/2 IN. LG. |
| SHT00034 | 5 | 32 | SHUTTER; AIR |
| SHT00034 | 6 | 16 | SHUTTER; AIR |
| ORF00615 | 7 | 0 | ORIFICE; MAIN BURNER, DRILL SIZE #41 |
| RIV00055 | 8 | 3 | RIVET;POP |
| MFD00826 | 9 | 1 | MANIFOLD; ASSEMBLY |
| BLT00183 | 10 | 4 | BOLT; HEX HEAD |
| WAS00813 | 11 | 4 | WASHER;SPRING LOCK, 5/16" |
| NUT00518 | 12 | 4 | NUT; HEX HEAD |
| SCR00769 | 13 | 0 | SCREW; #8, PHILIPS PAN HEAD,1/2 IN. LG. |
| PNN04921 | 14 | 1 | PANEL;GAS SUPPLY INLET (225-400 MBH) |
| BNR00596 | 15 | 16 | BURNER;MAIN, ALUMINUM, SINGLE BURNER |
| BNR00597 | 15 | 16 | BURNER; MAIN, 409SS, ALSO APPLICABLE FOR USE WITH 321 HTG. EXC. PKG. |
| VAL02116 | 16 | 1 | VALVE;GAS, NAT., 250 BTUH, 24V, CONN. .75 X .75 |
| VAL03222 | 16 | 1 | VALVE; GAS 2 STAGE INTERMITTENT .75 NPT |



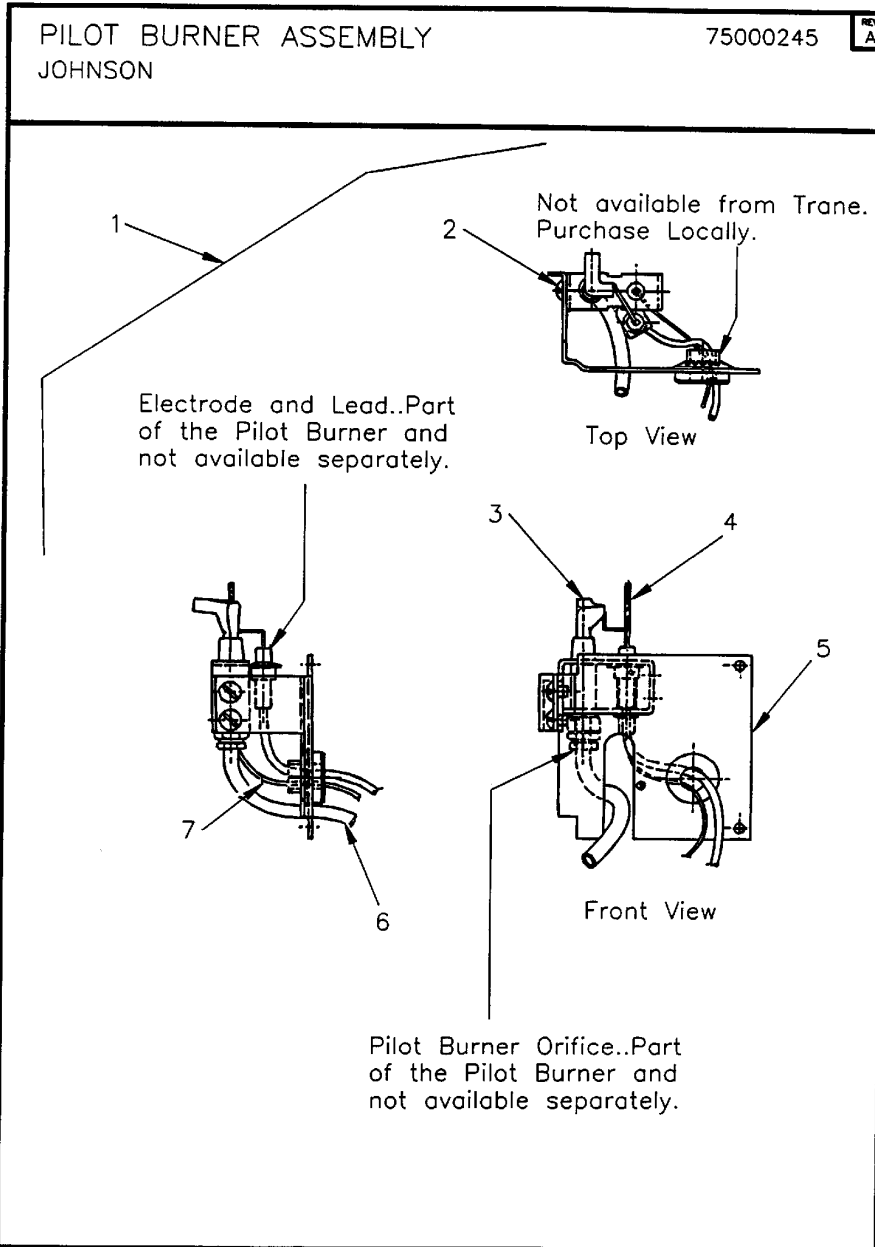
Parts List Number :GMND0001#GMNDUP1

Model Number :GMND040AEG2000A

| Part No. | Reference No. | Quantity | Description |
|---------------------------|---------------|----------|----------------------------------|
| 75000243_GMNDUP1_113293~P | * | | PILOT BURNER ASSEMBLY PARTS LIST |



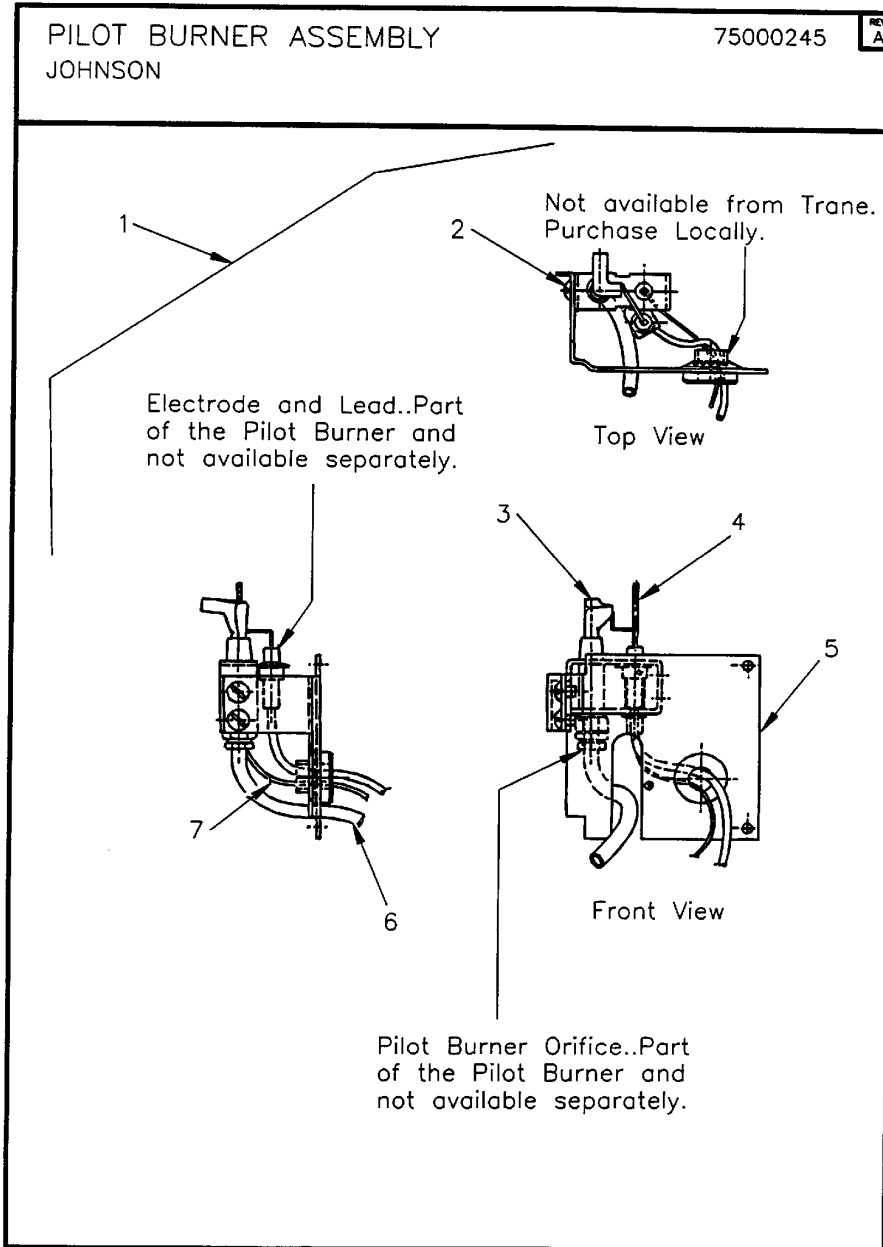
| Part No. | Reference No. | Quantity | Description |
|-----------------|----------------------|-----------------|---|
| PIT00084 | 1 | 1 | PILOT; NATURAL GAS, BURNER ASSEMBLY, R.H. INTERMITTENT, 150/400, HONEYWELL, WITH BRACKET AND TUBING |
| SCR01120 | 2 | 2 | SCREW; SLOTTED ROUND HEAD MACHINE, #10-32, 3/16 LENGTH |
| PIT00068 | 3 | 1 | PILOT; NATURAL GAS, BURNER, R.H. ELECTRIC IGNITION |
| BRK01004 | 4 | 1 | BRACKET; PILOT BURNER |
| TUB02033 | 5 | 1 | TUBE;PILOT BURNER,24IN.ALUMINUM,1/4IN.OD |
| LED00321 | 6 | 1 | LEAD;36IN.HI-TEMP IGNITION CABLE W/CERAMIC BOOT |



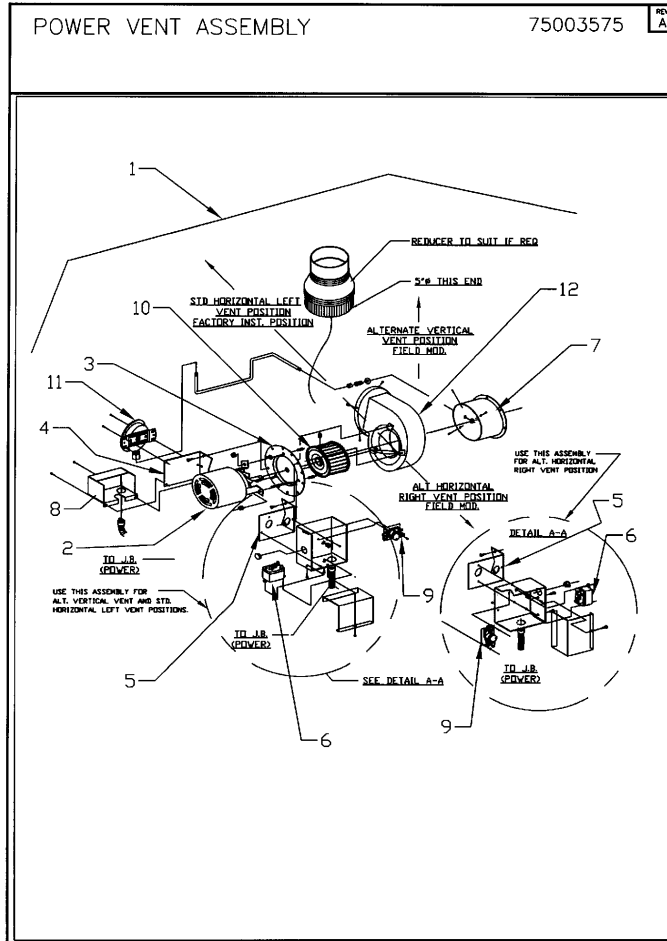
Parts List Number :GMND0001#GMNDUP1

Model Number :GMND040AEG2000A

| Part No. | Reference No. | Quantity | Description |
|---------------------------|---------------|----------|----------------------------------|
| 75000245_GMNDUP1_113297~P | * | | PILOT BURNER ASSEMBLY PARTS LIST |



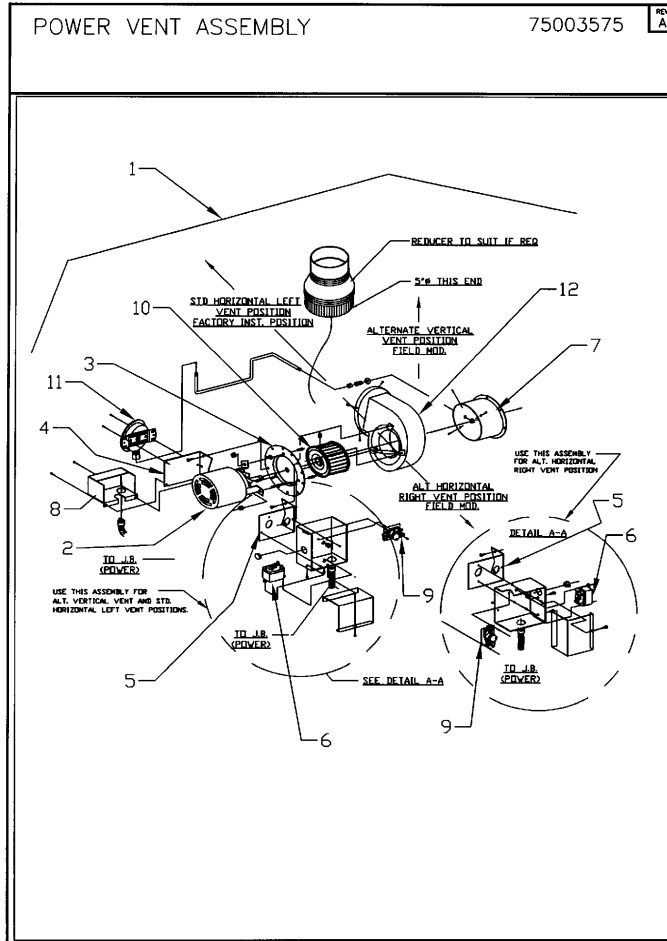
| Part No. | Reference No. | Quantity | Description |
|-----------------|----------------------|-----------------|---|
| PIT00088 | 1 | 1 | PILOT; NATURAL GAS, BURNER ASSEMBLY, INTERMITTENT, 150/400, WITH BRACKET AND TUBING |
| SCR01120 | 2 | 1 | SCREW; SLOTTED ROUND HEAD MACHINE, #10-32, 3/16 LENGTH |
| PIT00026 | 3 | 1 | PILOT;BURNER,NATURAL R.H, ELECTRONIC IGNITION |
| SEN00073 | 4 | 1 | SENSOR;FLAME |
| BRK01004 | 5 | 1 | BRACKET; PILOT BURNER |
| TUB02033 | 6 | 1 | TUBE;PILOT BURNER,24IN.ALUMINUM,1/4IN.OD |
| LED00284 | 7 | 1 | LEAD; SENSING, 58" |



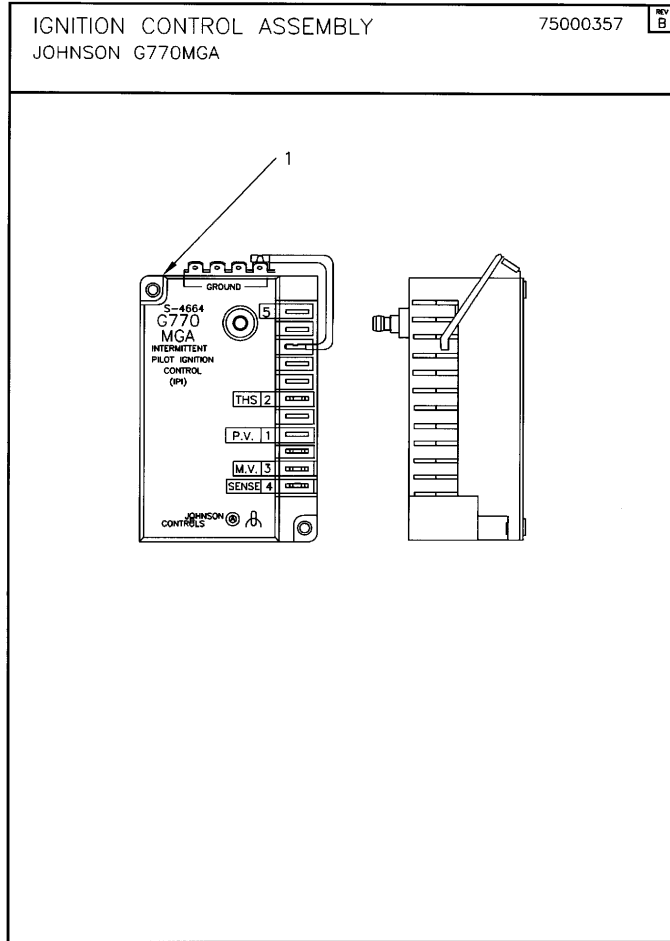
Parts List Number :GMND0001#GMNDUP1

Model Number :GMND040AEG2000A

| Part No. | Reference No. | Quantity | Description |
|---------------------------|---------------|----------|--------------------------------|
| 75003575_GMNDUP1_113312~P | * | | POWER VENT ASSEMBLY PARTS LIST |



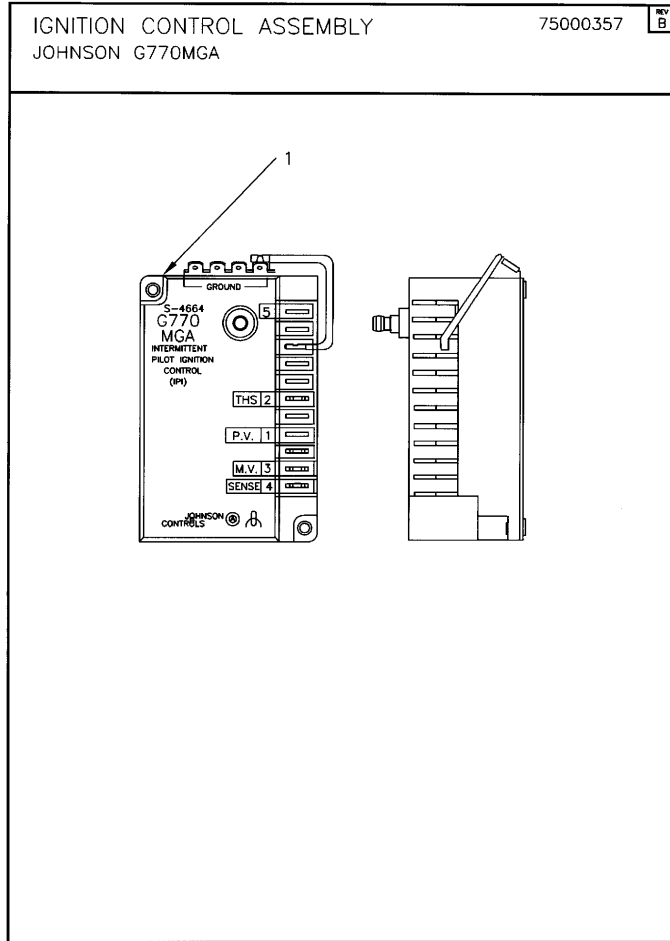
| Part No. | Reference No. | Quantity | Description |
|----------|---------------|----------|--|
| BLW00449 | 1 | 1 | BLOWER;POWER VENT ASM., COMPLETE |
| MOT02690 | 2 | 1 | MOTOR, POWER VENT(INDUCER), 1/20 HP, 115/60, 1.5 AMPS, 2 POLE, |
| PLT01122 | 3 | 1 | PLATE; ADAPTER FOR POWER VENT ASSEMBLY |
| BRK00947 | 4 | 1 | BRACKET; PRESSURE SWITCH MOUNTING |
| BRK00948 | 5 | 1 | BRACKET;JUNCTION BOX MOUNTING |
| RLY02037 | 6 | 1 | RELAY; MOTOR 24VAC 50/60 |
| FLU00075 | 7 | 1 | FLUE; VENT |
| COV01953 | 8 | 1 | COVER;PRESSURE SWITCH |
| RLY01770 | 9 | 1 | RELAY; FAN TIME DELAY, (INSIDE JUNCTION BOX) ALSO CALLED SEQUENCER(THERM-0-DISC) |
| WHL00433 | 10 | 1 | WHEEL; FAN, 4.25IN. DIA POWER VENTING |
| SWT01565 | 11 | 1 | SWITCH;AIR PRESSURE |
| HUS03363 | 12 | 1 | HOUSING; BLOWER ASSEMBLY |



Parts List Number :GMND0001#GMNDUP1

Model Number :GMND040AEG2000A

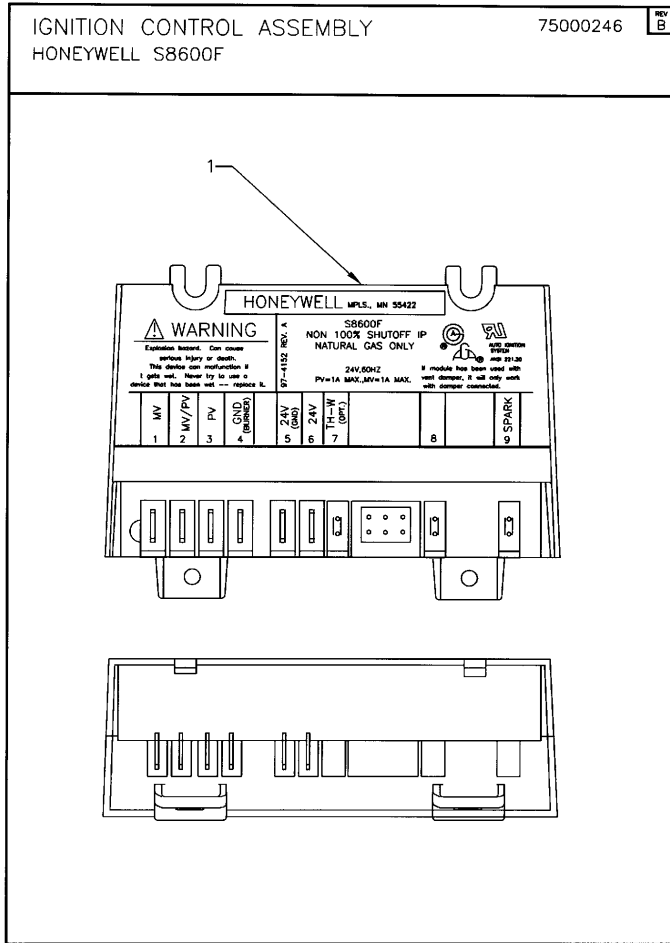
| Part No. | Reference No. | Quantity | Description |
|---------------------------|---------------|----------|--|
| 75000357_GMNDUP1_113304~P | * | | IGNITION CONTROL ASSEMBLY - G770MGA PARTS LIST |



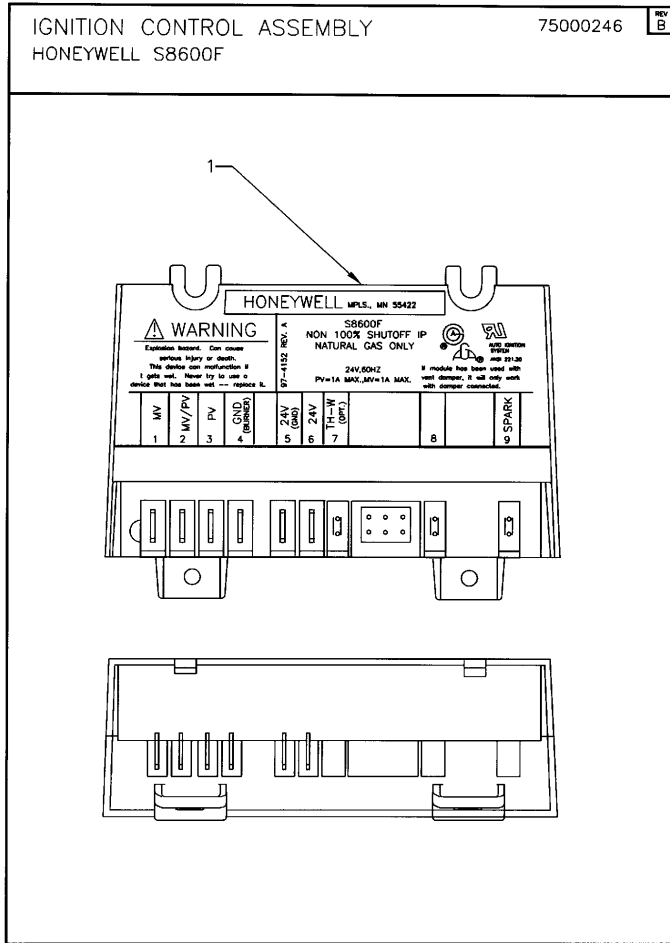
Parts List Number :GMND0001#GMNDUP1

Model Number :GMND040AEG2000A

| Part No. | Reference No. | Quantity | Description |
|-----------------|----------------------|-----------------|---------------------------------------|
| CNT00906 | * | 1 | CONTROL, REMOTE SELECTOR, 55-90 TD121 |
| THT00412 | * | 1 | THERMOSTAT; ROOM OVERRIDE |
| CNT01190 | 1 | 1 | CONTROL, IGNITION, W/LOCKOUT |



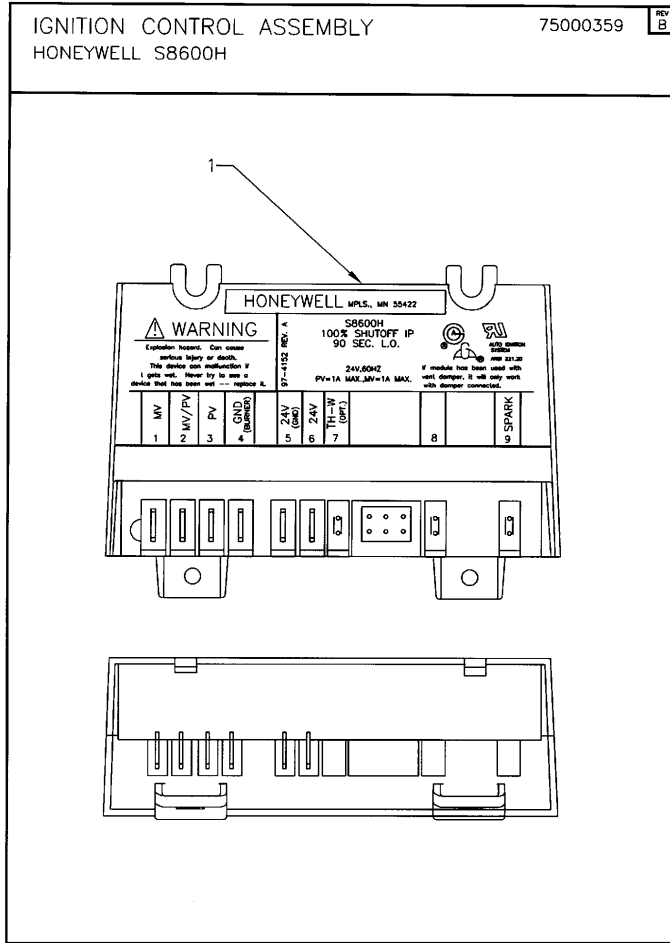
| Part No. | Reference No. | Quantity | Description |
|---------------------------|---------------|----------|---|
| 75000246_GMNDUP1_113302~P | * | | IGNITION CONTROL ASSEMBLY - S8600F PARTS LIST |



Parts List Number :GMND0001#GMNDUP1

Model Number :GMND040AEG2000A

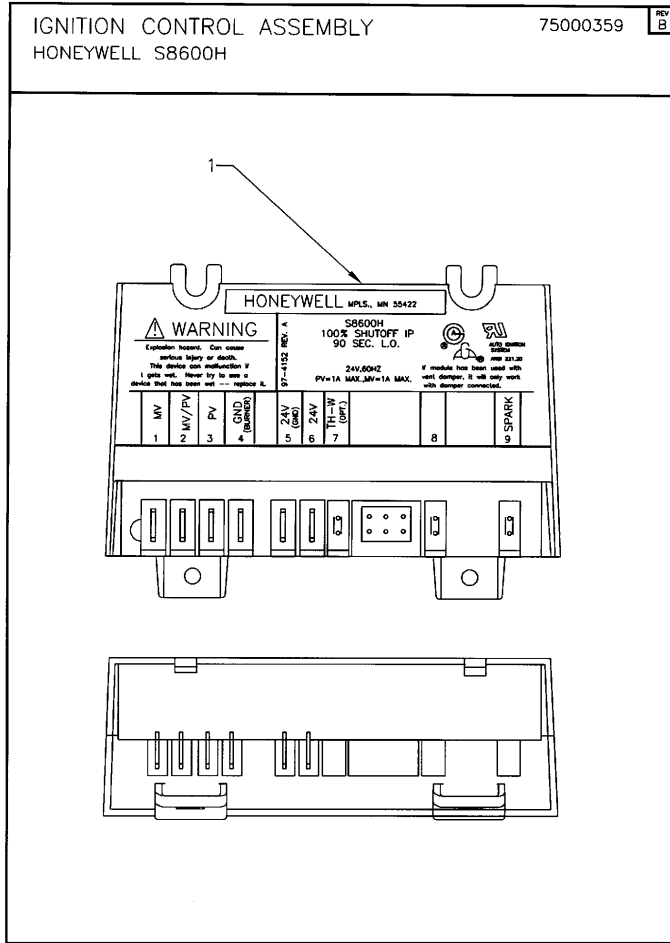
| Part No. | Reference No. | Quantity | Description |
|-----------------|----------------------|-----------------|--|
| CNT00906 | * | 1 | CONTROL, REMOTE SELECTOR, 55-90 TD121 |
| THT00412 | * | 1 | THERMOSTAT; ROOM OVERRIDE |
| CNT01318 | 1 | 1 | CONTROL, IGNITION NATURAL GAS(HONEYWELL) |



Parts List Number :GMND0001#GMNDUP1

Model Number :GMND040AEG2000A

| Part No. | Reference No. | Quantity | Description |
|---------------------------|---------------|----------|---|
| 75000359_GMNDUP1_113306~P | * | | IGNITION CONTROL ASSEMBLY - S8600H PARTS LIST |



Parts List Number :GMND0001#GMNDUP1

Model Number :GMND040AEG2000A

| Part No. | Reference No. | Quantity | Description |
|-----------------|----------------------|-----------------|---|
| CNT00906 | * | 1 | CONTROL, REMOTE SELECTOR, 55-90 TD121 |
| THT00412 | * | 1 | THERMOSTAT; ROOM OVERRIDE |
| CNT01241 | 1 | 1 | CONTROL, IGNITION MODULE 90 SEC. MAX. LOCKOUT |

| Part No. | Reference No. | Quantity | Description |
|-------------------------------|---------------|----------|---|
| GMND0108_GMNDUP1_113318~ P | * | | CANADIAN STANDARD VENT CAP & ADAPTER PARTS LIST |

NO GRAPHIC AVAILABLE

75013702

REV
A

**NO
GRAPHIC
AVAILABLE**

Parts List Number :GMND0001#GMNDUP1

Model Number :GMND040AEG2000A

| Part No. | Reference No. | Quantity | Description |
|-----------------|----------------------|-----------------|--------------------|
| ADP00490 | * | 1 | ADAPTER; |
| CAP00550 | * | 1 | CAP; VENT 6 INCH |