

Part No.	Reference No.	Quantity	Description
GMND0108#GMNDUP1~S	*		CANADIAN STANDARD VENT CAP & ADAPTER
75000241#GMNDUP1~S	*		COMBUSTION CHAMBER ASSEMBLY
75003576#GMNDUP1~S	*		FURNACE ASSEMBLY
75003574#GMNDUP1~S	*		GENERAL ASSEMBLY
75000357#GMNDUP1~S	*		IGNITION CONTROL ASSEMBLY - G770MGA
75000246#GMNDUP1~S	*		IGNITION CONTROL ASSEMBLY - S8600F
75000359#GMNDUP1~S	*		IGNITION CONTROL ASSEMBLY - S8600H
75003573#GMNDUP1~S	*		MODEL NUMBER DESCRIPTION
75000243#GMNDUP1~S	*		PILOT BURNER ASSEMBLY
75000245#GMNDUP1~S	*		PILOT BURNER ASSEMBLY
75003575#GMNDUP1~S	*		POWER VENT ASSEMBLY
GMND0001_GMNDUP1_113282~ P	*		TOP LEVEL PARTS LIST

NO GRAPHIC AVAILABLE

75013702

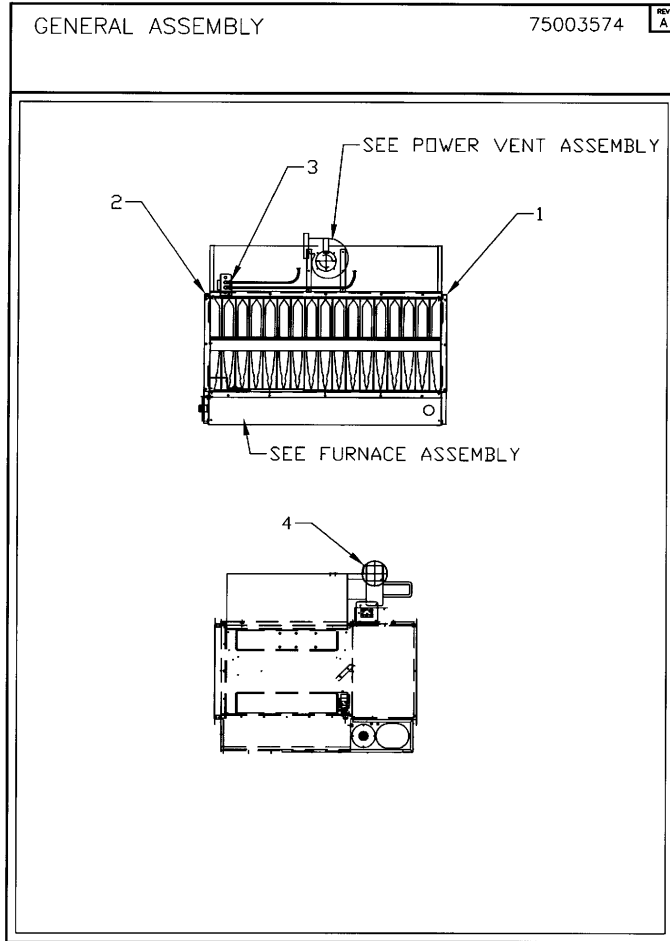
REV  
A

**NO  
GRAPHIC  
AVAILABLE**

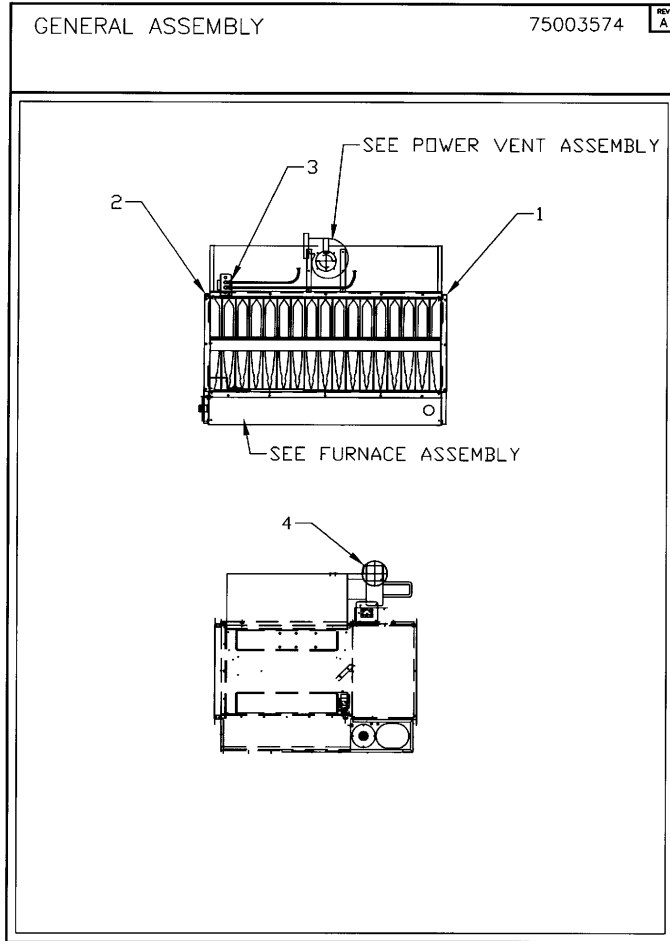
MODEL NUMBER DESCRIPTION	75003573	REV B
DIGIT 1: Gas Heating Equipment	R =Hydraulic Modulating With Bypass Intermittent Pilot Ignition (75-150°F)	
DIGIT 2: Unit Type M = Separated Combustion Gas Fired Indoor Duct Furnace	S =Special	
DIGIT 3: Fuel N = Natural P = LP Gas (Propane) S = Special	*Specify discharge temperature	
DIGIT 4: Development Sequence D = Forth	DIGIT 10: Design Sequence E = Fifth Design	
DIGIT 5,6,7: Input Capacity 010 =100 MBh 022 =220 MBh 012 =125 MBh 025 =230 MBh 015 =150 MBh 030 =300 MBh 017 =170 MBh 035 =350 MBh 020 =200 MBh 040 =400 MBh	DIGIT 11: Heat Exchanger Matl 1 = Aluminized Steel 2 = #409 Stainless Steel 3 = #321 Stainless Steel S = Special	
DIGIT 8: Main Power Supply A = 115/60/1 D = 230/60/3 B = 230/60/1 E = 460/60/3 C = 208/60/3 S = Special	DIGIT 12: Rooftop Arrangement 0 = None S = Special	
DIGIT 9: Gas Control Options A =Single-Stage Standing Pilot C =Hydraulic Modulating Standing Pilot* D =Single-Stage, Intermittent Pilot Ignition E =Two-Stage, Intermittent Pilot Ignition F =Hydraulic Modulating Intermittent Pilot Ign.,60-100°F Only G =Hydraulic Modulating With Bypass, Inter. Pilot Ign. 60-100°F Only H =Electronic Modulating With Room-Stat, Intermittent Pilot Ignition J =Electronic Modulating With Duct-Stat, Intermittent Pilot Ignition K =Single Stage, Hot Surface Pilot Ignition L =Electronic Modulating With External 4-20mA Input N =Electronic Modulating With External 0-10VDC Input P =Hydraulic Modulating, Intermittent Pilot Ignition (75-150°F)	DIGIT 13: Rooftop Heating Unit Motor Selection 0 = None S = Special	
	DIGIT 14: Rooftop Fan Selection 0 = None S = Special	
	DIGIT 15: Miscellaneous Options All Units 0 = None A = #409 Stainless Steel Burners B = Drifces for Elevation Above 2000 Feet (Specify Elevation) S = Special	
	Separated Combustion Gas Fitted Indoor Duct Furnace C = #409 Stainless Steel Draft Diverter D = Summer/Winter Switch F = Horizontal Louvers G = Vertical & Horizontal Louvers	

Part No.	Reference No.	Quantity	Description
75003573_GMNDUP1_113307~P	*		MODEL NUMBER DESCRIPTION PARTS LIST

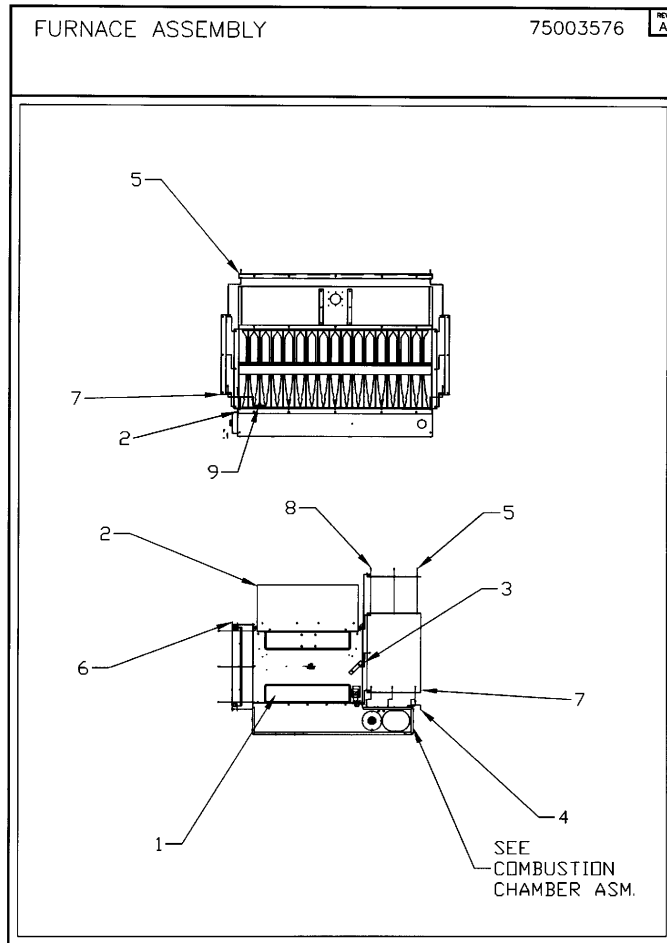
MODEL NUMBER DESCRIPTION	75003573	REV B
DIGIT 1: Gas Heating Equipment	R =Hydraulic Modulating With Bypass Intermittent Pilot Ignition (75-150°F)	
DIGIT 2: Unit Type M = Separated Combustion Gas Fired Indoor Duct Furnace	S =Special	
DIGIT 3: Fuel N = Natural P = LP Gas (Propane) S = Special	*Specify discharge temperature	
DIGIT 4: Development Sequence D = Forth	DIGIT 10: Design Sequence E = Fifth Design	
DIGIT 5,6,7: Input Capacity 010 =100 MBh 022 =220 MBh 012 =125 MBh 025 =230 MBh 015 =150 MBh 030 =300 MBh 017 =170 MBh 035 =350 MBh 020 =200 MBh 040 =400 MBh	DIGIT 11: Heat Exchanger Matl 1 = Aluminized Steel 2 = #409 Stainless Steel 3 = #321 Stainless Steel S = Special	
DIGIT 8: Main Power Supply A = 115/60/1 D = 230/60/3 B = 230/60/1 E = 460/60/3 C = 208/60/3 S = Special	DIGIT 12: Rooftop Arrangement 0 = None S = Special	
DIGIT 9: Gas Control Options A =Single-Stage Standing Pilot C =Hydraulic Modulating Standing Pilot* D =Single-Stage, Intermittent Pilot Ignition E =Two-Stage, Intermittent Pilot Ignition F =Hydraulic Modulating Intermittent Pilot Ign.,60-100°F Only G =Hydraulic Modulating With Bypass, Inter. Pilot Ign. 60-100°F Only H =Electronic Modulating With Room-Stat, Intermittent Pilot Ignition J =Electronic Modulating With Duct-Stat, Intermittent Pilot Ignition K =Single Stage, Hot Surface Pilot Ignition L =Electronic Modulating With External 4-20mA Input N =Electronic Modulating With External 0-10VDC Input P =Hydraulic Modulating, Intermittent Pilot Ignition (75-150°F)	DIGIT 13: Rooftop Heating Unit Motor Selection 0 = None S = Special	
	DIGIT 14: Rooftop Fan Selection 0 = None S = Special	
	DIGIT 15: Miscellaneous Options All Units 0 = None A = #409 Stainless Steel Burners B = Drifces for Elevation Above 2000 Feet (Specify Elevation) S = Special	
	Separated Combustion Gas Fitted Indoor Duct Furnace C = #409 Stainless Steel Draft Diverter D = Summer/Winter Switch F = Horizontal Louvers G = Vertical & Horizontal Louvers	



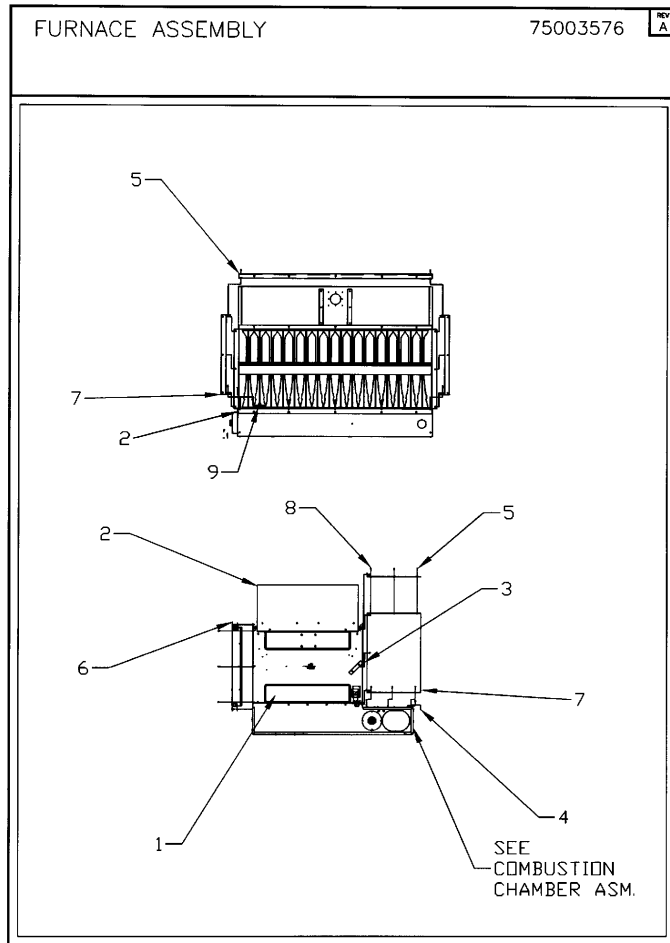
Part No.	Reference No.	Quantity	Description
75003574_GMNDUP1_113310~P	*		GENERAL ASSEMBLY PARTS LIST



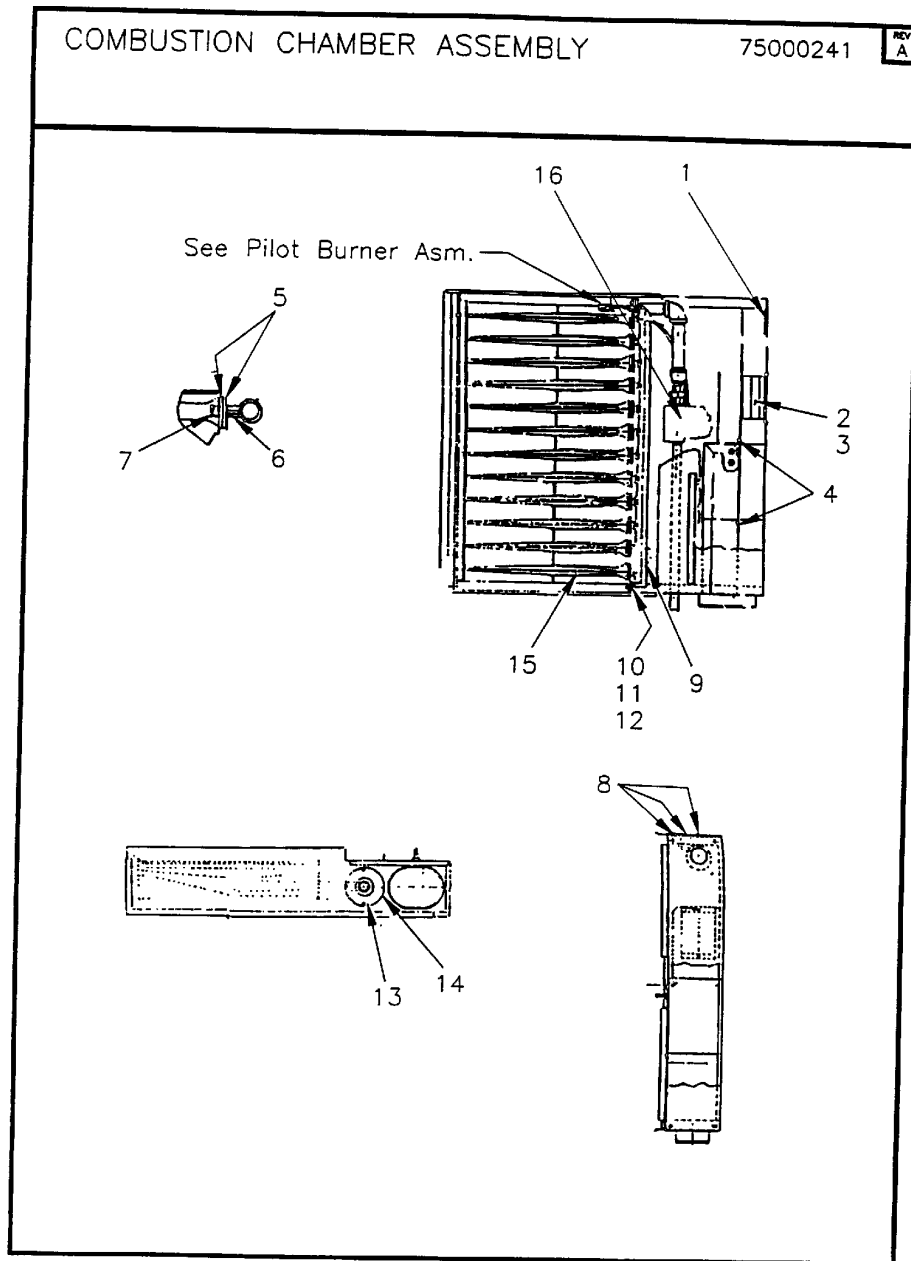
<b>Part No.</b>	<b>Reference No.</b>	<b>Quantity</b>	<b>Description</b>
PNE09545	1	1	PANEL; R.H JACKET
PNE09546	2	1	PANEL; LH JACKET
BRK02457	3	1	BRACKET; JUNCTION BOX
BRK02458	4	1	BRACKET; SUPPORT, HOZ RH TURN PV



Part No.	Reference No.	Quantity	Description
75003576_GMNDUP1_255197-P	*		FURNACE ASSEMBLY PARTS LIST



<b>Part No.</b>	<b>Reference No.</b>	<b>Quantity</b>	<b>Description</b>
EXC01755	1	1	EXCHANGER; HEAT, 409SS
BAF00264	3	1	BAFFLE; HEAT EXCHANGER AIR
PNE09551	4	1	PANEL; EXTENSION BOTTOM
PNE09561	5	1	PANEL; EXTENSION TOP FOR QVSB200
PNE09571	6	1	PANEL; DUCT EXTENSION ASM.
PNE09577	7	2	PANEL; EXTENSION SIDE
SCR00769	8	0	SCREW; #8, PHILIPS PAN HEAD, 1/2 IN. LG.
BRK02941	9	1	BRACKET; RPL HIGH LIMIT FOR 100/125 ROOFTOP UNIT, STERLING L. H., TRANE R.H.
SWT01743	9	1	SWITCH; HIGH LIMIT, 190 DEGREE, 2 PRONG
SWT01744	9	1	SWITCH; HI LIMIT, 190 DEGREE, 3 PRONG



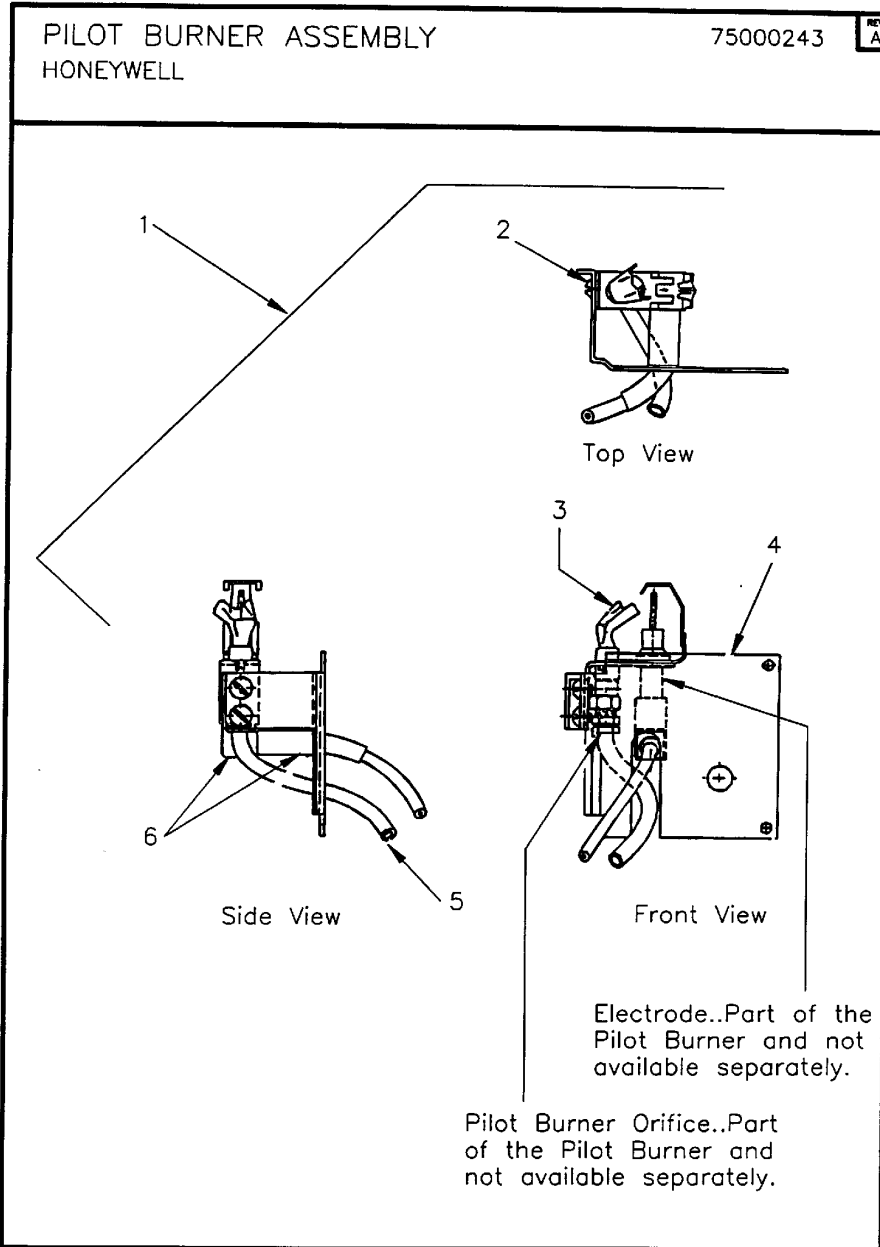
Part No.	Reference No.	Quantity	Description
75000241_GMNDUP1_255196~P	*		COMBUSTION CHAMBER ASSEMBLY PARTS LIST



Parts List Number :GMND0001#GMNDUP1

Model Number :GMND020BWG2000

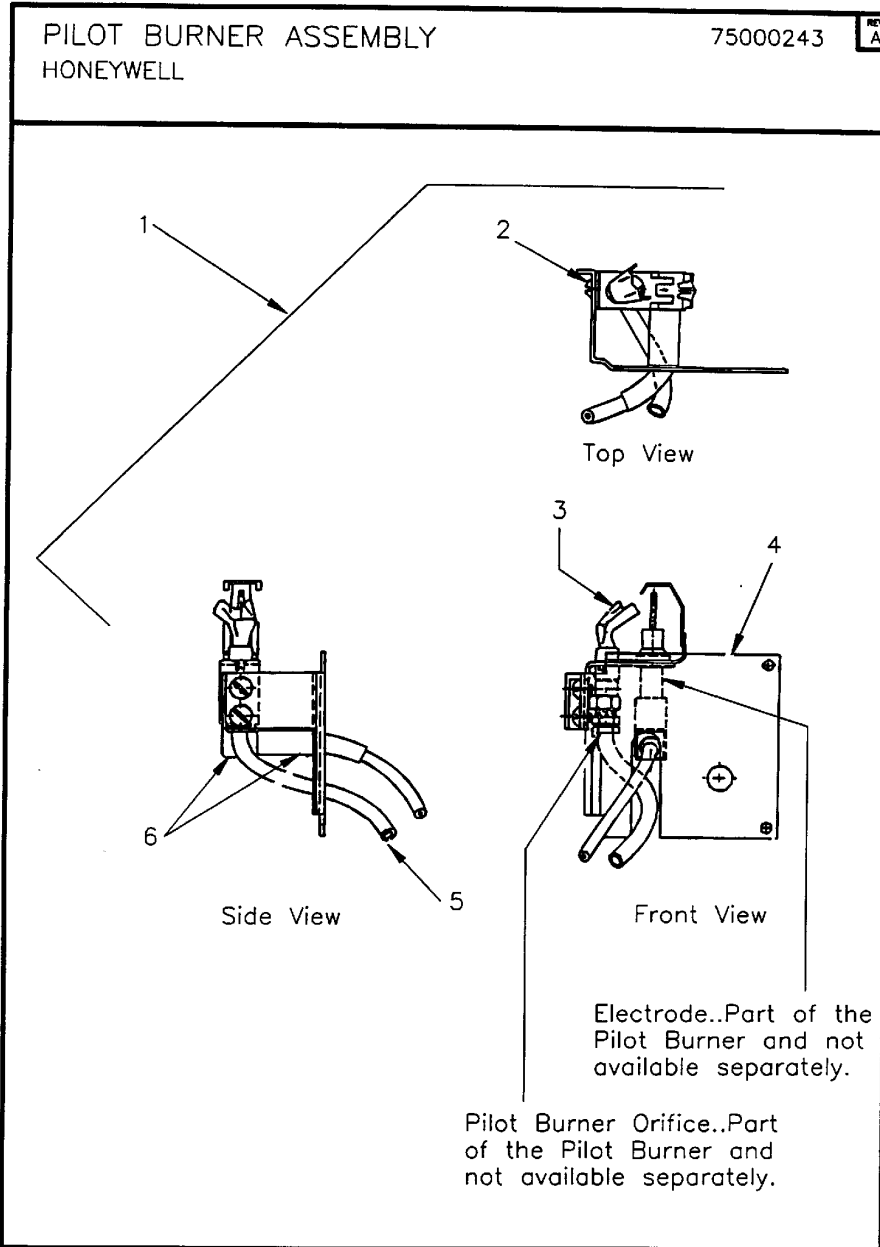
<b>Part No.</b>	<b>Reference No.</b>	<b>Quantity</b>	<b>Description</b>
GLS00172	1	1	GLASS;WINDOW VIEWING, 1 1/2 INCHES
BRK01003	2	1	BRACKET; HONEYWELL IGNITOR MOUNTING
SCR00769	3	2	SCREW; #8, PHILIPS PAN HEAD,1/2 IN. LG.
SCR00769	4	0	SCREW; #8, PHILIPS PAN HEAD,1/2 IN. LG.
SHT00034	5	16	SHUTTER; AIR
SHT00034	6	8	SHUTTER; AIR
RIV00055	8	3	RIVET;POP
MFD00698	9	1	MANIFOLD;ASSEMBLY (QVSF/B 200)
BLT00183	10	4	BOLT; HEX HEAD
WAS00813	11	4	WASHER;SPRING LOCK, 5/16"
NUT00518	12	4	NUT; HEX HEAD
SCR00769	13	0	SCREW; #8, PHILIPS PAN HEAD,1/2 IN. LG.
PNN04901	14	1	PANEL;GAS SUPPLY INLET (100-200 MBH)



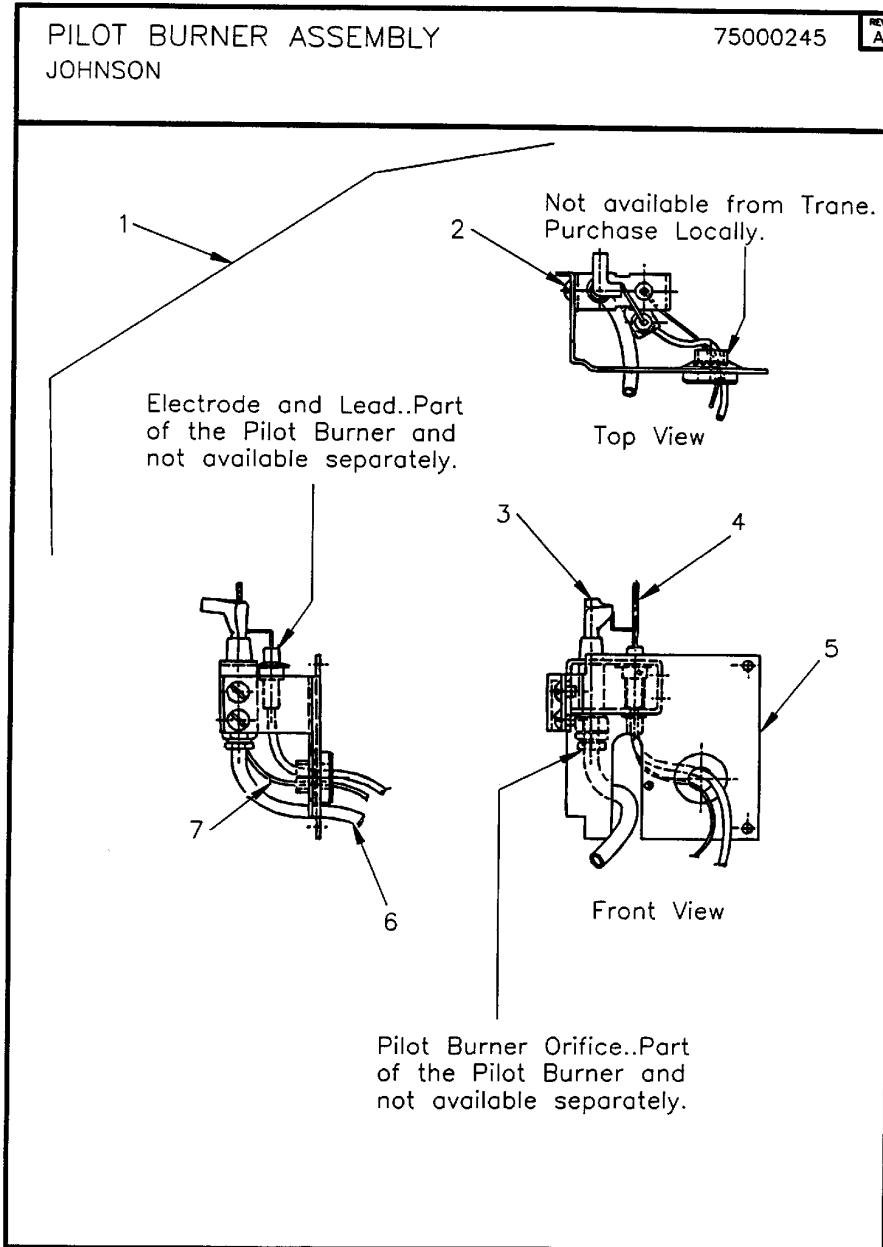
Parts List Number :GMND0001#GMNDUP1

Model Number :GMND020BWG2000

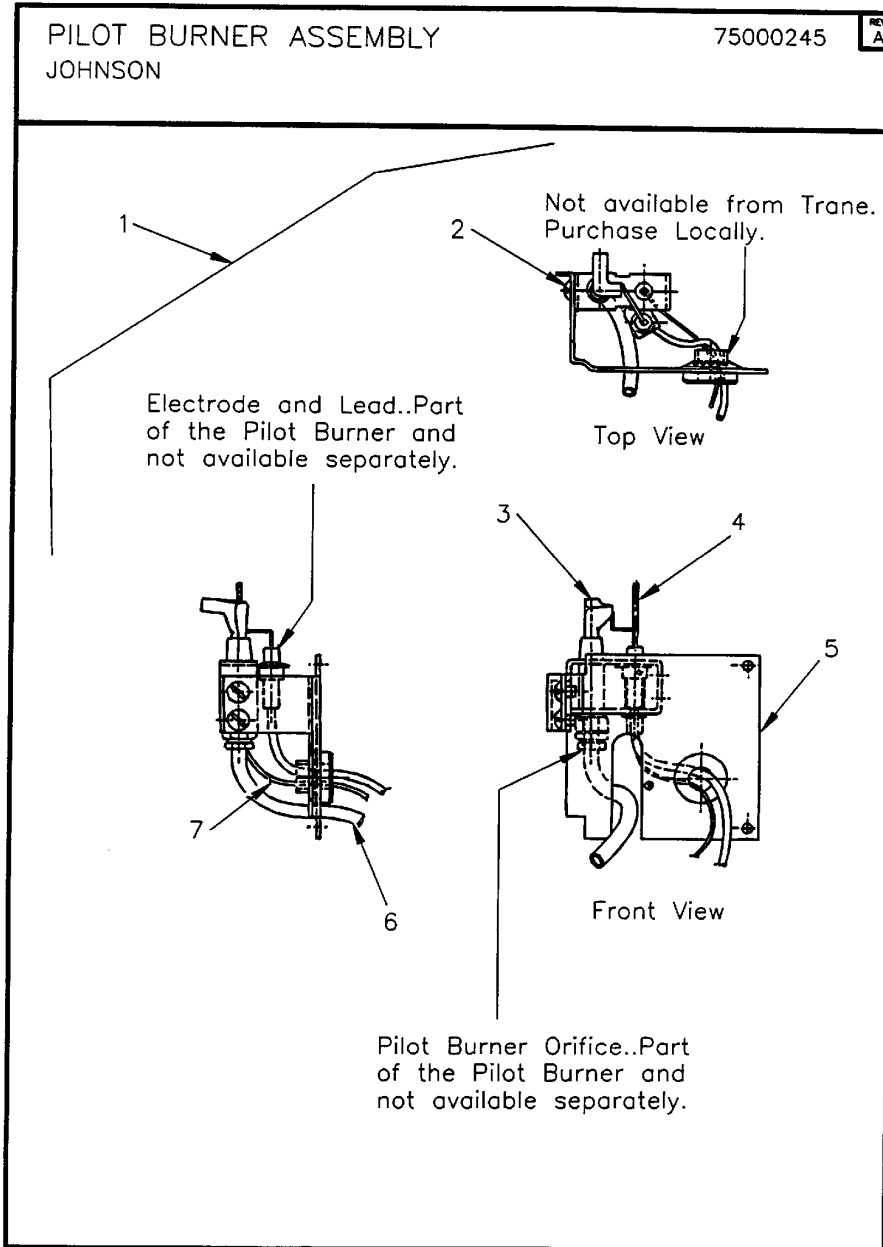
Part No.	Reference No.	Quantity	Description
75000243_GMNDUP1_113293~P	*		PILOT BURNER ASSEMBLY PARTS LIST



Part No.	Reference No.	Quantity	Description
PIT00084	1	1	PILOT; NATURAL GAS, BURNER ASSEMBLY, R.H. INTERMITTENT, 150/400, HONEYWELL, WITH BRACKET AND TUBING
SCR01120	2	2	SCREW; SLOTTED ROUND HEAD MACHINE, #10-32, 3/16 LENGTH
PIT00068	3	1	PILOT; NATURAL GAS, BURNER, R.H. ELECTRIC IGNITION
BRK01004	4	1	BRACKET; PILOT BURNER
TUB02033	5	1	TUBE;PILOT BURNER,24IN.ALUMINUM,1/4IN.OD
LED00321	6	1	LEAD;36IN.HI-TEMP IGNITION CABLE W/CERAMIC BOOT



Part No.	Reference No.	Quantity	Description
75000245_GMNDUP1_113297-P	*		PILOT BURNER ASSEMBLY PARTS LIST



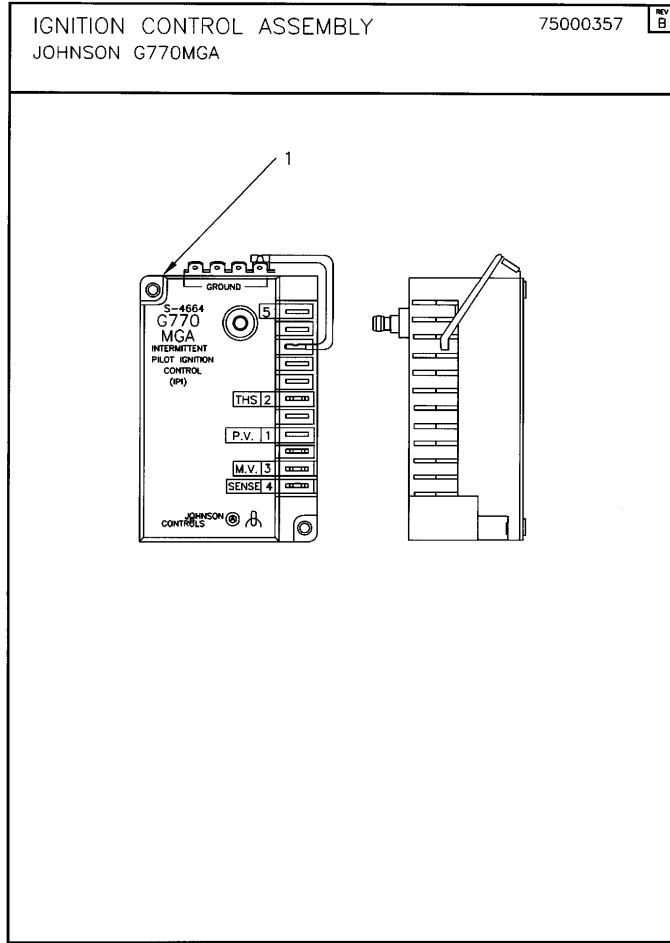
Part No.	Reference No.	Quantity	Description
PIT00088	1	1	PILOT; NATURAL GAS, BURNER ASSEMBLY, INTERMITTENT, 150/400, WITH BRACKET AND TUBING
SCR01120	2	1	SCREW; SLOTTED ROUND HEAD MACHINE, #10-32, 3/16 LENGTH
PIT00026	3	1	PILOT;BURNER,NATURAL R.H, ELECTRONIC IGNITION
SEN00073	4	1	SENSOR;FLAME
BRK01004	5	1	BRACKET; PILOT BURNER
TUB02033	6	1	TUBE;PILOT BURNER,24IN.ALUMINUM,1/4IN.OD
LED00284	7	1	LEAD; SENSING, 58"



Part No.	Reference No.	Quantity	Description
75003575_GMNDUP1_113667~P	*		POWER VENT ASSEMBLY PARTS LIST



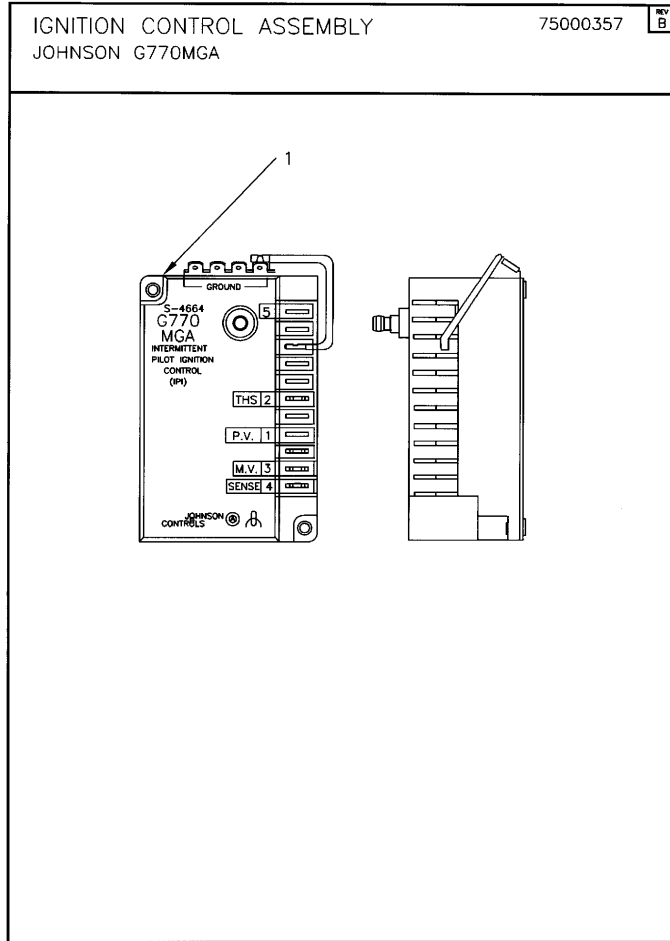
Part No.	Reference No.	Quantity	Description
BLW00448	1	1	BLOWER;POWER VENT ASM., COMPLETE
MOT02690	2	1	MOTOR, POWER VENT(INDUCER), 1/20 HP, 115/60, 1.5 AMPS, 2 POLE,
PLT01122	3	1	PLATE; ADAPTER FOR POWER VENT ASSEMBLY
BRK00947	4	1	BRACKET; PRESSURE SWITCH MOUNTING
BRK00948	5	1	BRACKET;JUNCTION BOX MOUNTING
RLY02037	6	1	RELAY; MOTOR 24VAC 50/60
FLU00075	7	1	FLUE; VENT
COV01953	8	1	COVER;PRESSURE SWITCH
RLY01770	9	1	RELAY; FAN TIME DELAY, (INSIDE JUNCTION BOX) ALSO CALLED SEQUENCER(THERM-0-DISC)
WHL00509	10	1	WHEEL; DRAFTOR
SWT01564	11	1	SWITCH-AIR PRESSURE
HUS03363	12	1	HOUSING; BLOWER ASSEMBLY



Parts List Number :GMND0001#GMNDUP1

Model Number :GMND020BVG2000

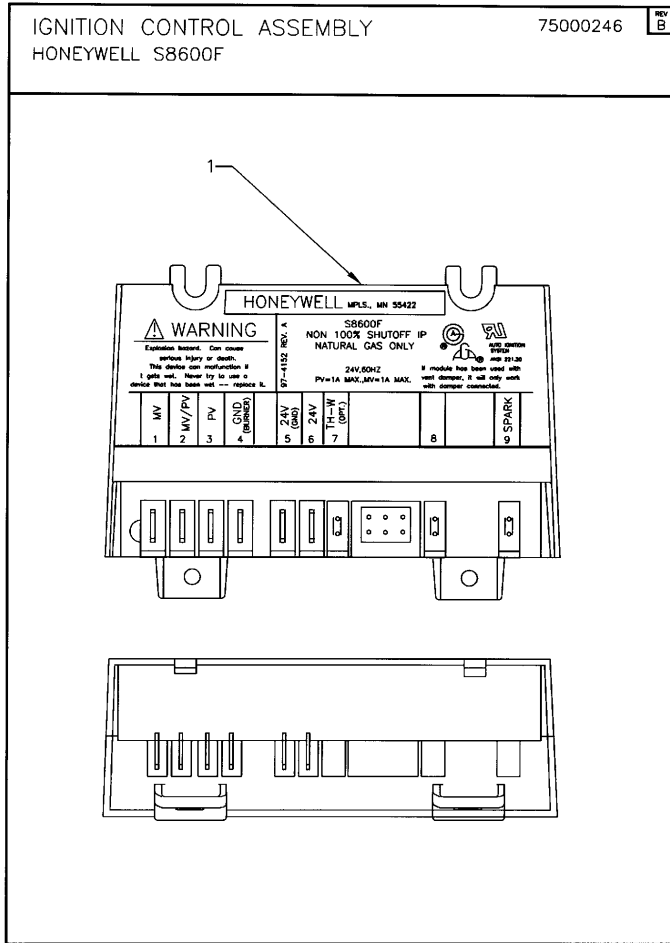
Part No.	Reference No.	Quantity	Description
75000357_GMNDUP1_113304~P	*		IGNITION CONTROL ASSEMBLY - G770MGA PARTS LIST



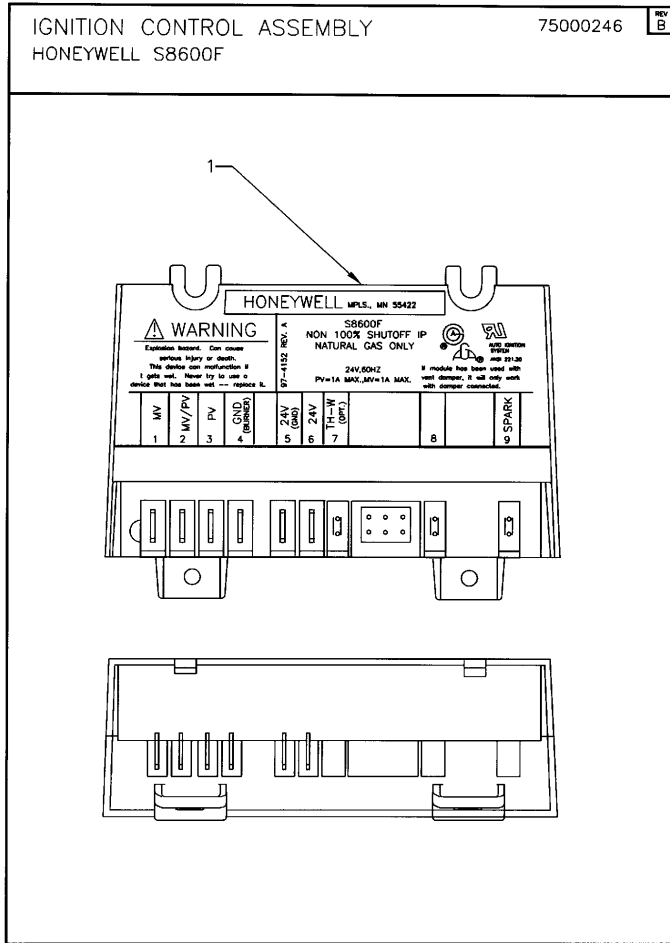
Parts List Number :GMND0001#GMNDUP1

Model Number :GMND020BWG2000

<b>Part No.</b>	<b>Reference No.</b>	<b>Quantity</b>	<b>Description</b>
CNT00906	*	1	CONTROL, REMOTE SELECTOR, 55-90 TD121
THT00412	*	1	THERMOSTAT; ROOM OVERRIDE
CNT01190	1	1	CONTROL, IGNITION, W/LOCKOUT



Part No.	Reference No.	Quantity	Description
75000246_GMNDUP1_113302~P	*		IGNITION CONTROL ASSEMBLY - S8600F PARTS LIST



Parts List Number :GMND0001#GMNDUP1

Model Number :GMND020BWG2000

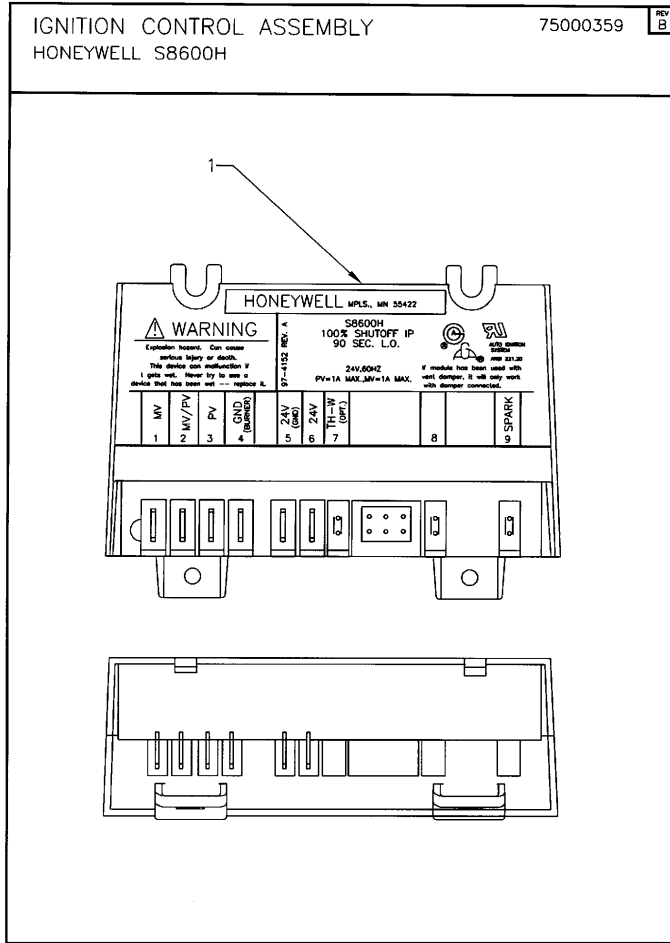
<b>Part No.</b>	<b>Reference No.</b>	<b>Quantity</b>	<b>Description</b>
CNT00906	*	1	CONTROL, REMOTE SELECTOR, 55-90 TD121
THT00412	*	1	THERMOSTAT; ROOM OVERRIDE
CNT01318	1	1	CONTROL, IGNITION NATURAL GAS(HONEYWELL)



Parts List Number :GMND0001#GMNDUP1

Model Number :GMND020BVG2000

Part No.	Reference No.	Quantity	Description
75000359_GMNDUP1_113306~P	*		IGNITION CONTROL ASSEMBLY - S8600H PARTS LIST



Parts List Number :GMND0001#GMNDUP1

Model Number :GMND020BVG2000

<b>Part No.</b>	<b>Reference No.</b>	<b>Quantity</b>	<b>Description</b>
CNT00906	*	1	CONTROL, REMOTE SELECTOR, 55-90 TD121
THT00412	*	1	THERMOSTAT; ROOM OVERRIDE
CNT01241	1	1	CONTROL, IGNITION MODULE 90 SEC. MAX. LOCKOUT

Parts List Number :GMND0001#GMNDUP1

Model Number :GMND020BVG2000

Part No.	Reference No.	Quantity	Description
GMND0108_GMNDUP1_113671~ P	*		CANADIAN STANDARD VENT CAP & ADAPTER PARTS LIST

NO GRAPHIC AVAILABLE

75013702

REV  
A

**NO  
GRAPHIC  
AVAILABLE**

Parts List Number :GMND0001#GMNDUP1

Model Number :GMND020BWG2000

<b>Part No.</b>	<b>Reference No.</b>	<b>Quantity</b>	<b>Description</b>
CAP00549	*	1	CAP; 5 INCH VENT