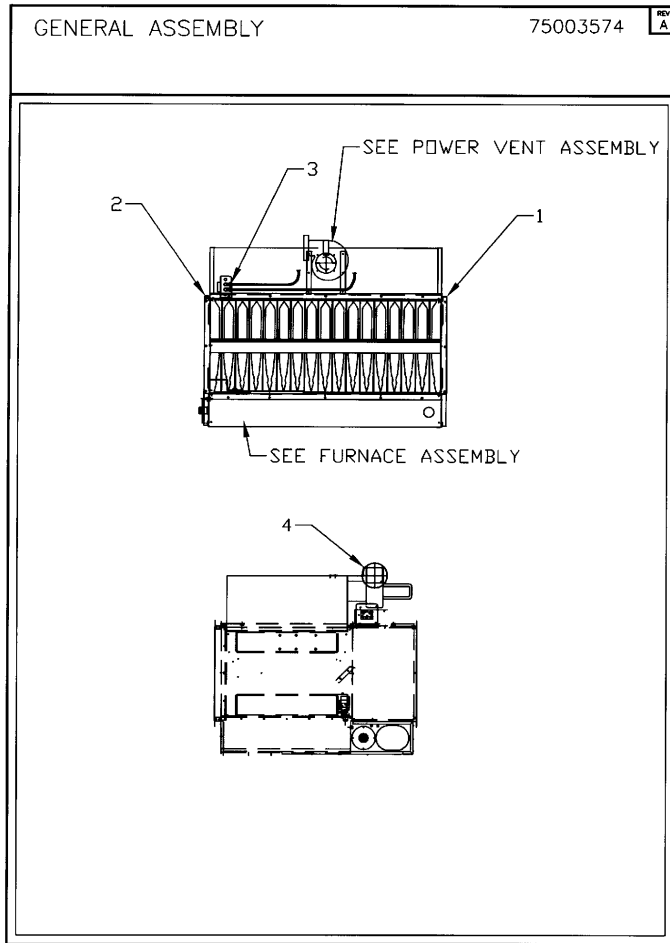


Parts List Number :GMNDUP1

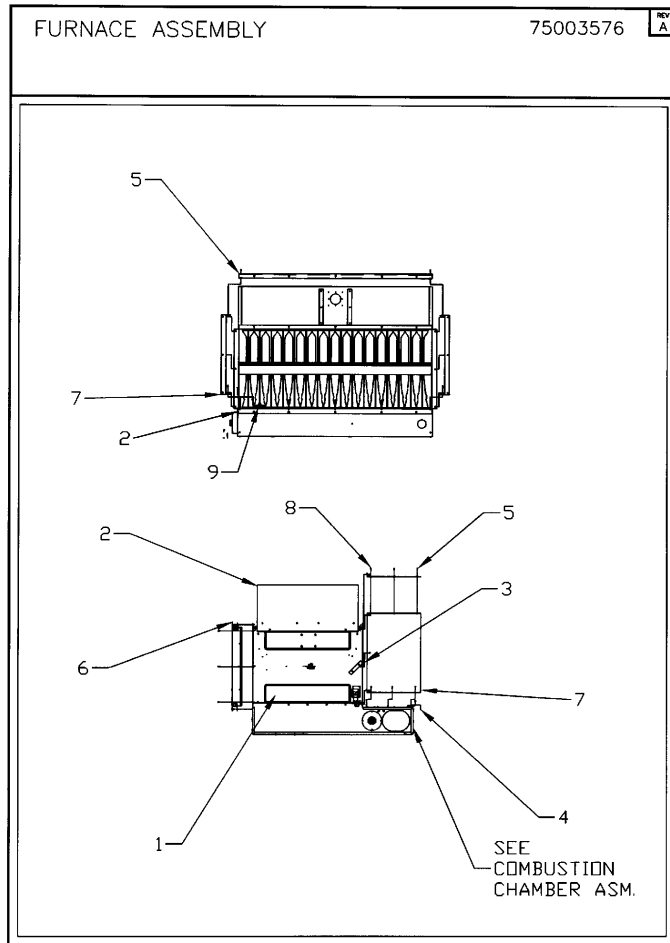
Model Number :GMND015ADF30000

| <b>Part No.</b> | <b>Reference No.</b> | <b>Quantity</b> | <b>Description</b>                   |
|-----------------|----------------------|-----------------|--------------------------------------|
| 75003573        | SEC 01               |                 | MODEL NUMBER DESCRIPTION             |
| 75003574        | SEC 02               |                 | GENERAL ASSEMBLY                     |
| 75003576        | SEC 03               |                 | FURNACE ASSEMBLY                     |
| 75000241        | SEC 04               |                 | COMBUSTION CHAMBER ASSEMBLY          |
| 75000243        | SEC 05               |                 | PILOT BURNER ASSEMBLY                |
| 75000245        | SEC 05               |                 | PILOT BURNER ASSEMBLY                |
| 75003575        | SEC 06               |                 | POWER VENT ASSEMBLY                  |
| 75000357        | SEC 07               |                 | IGNITION CONTROL ASSEMBLY - G770MGA  |
| 75000246        | SEC 07               |                 | IGNITION CONTROL ASSEMBLY - S8600F   |
| 75000359        | SEC 07               |                 | IGNITION CONTROL ASSEMBLY - S8600H   |
| GMND0108        | SEC 08               |                 | CANADIAN STANDARD VENT CAP & ADAPTER |

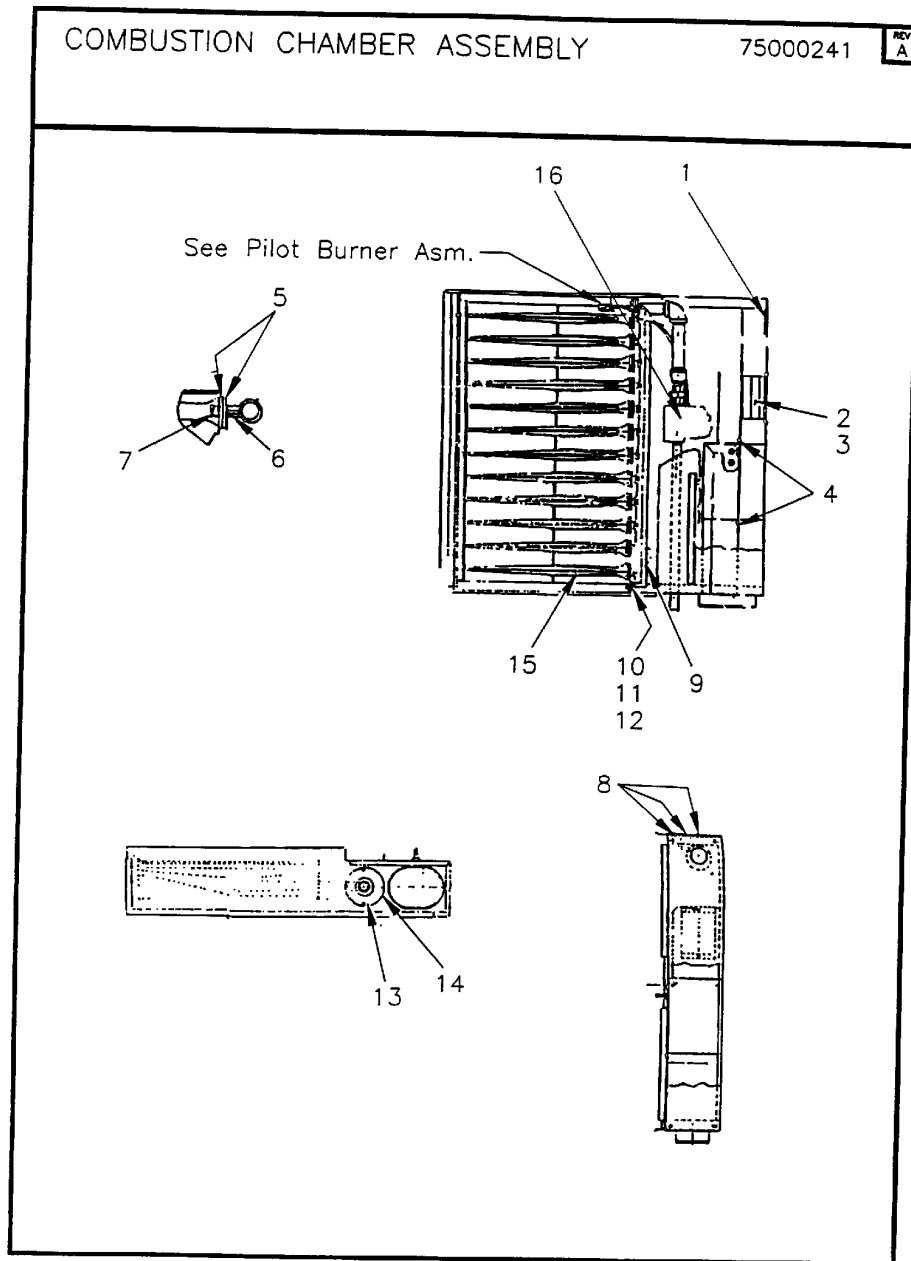
| MODEL NUMBER DESCRIPTION   | 75003573   | REV<br>B |
|--|--|----------|
| DIGIT 1: Gas Heating Equipment   | R =Hydraulic Modulating With Bypass<br>Intermittent Pilot Ignition<br>(75-150°F)   |          |
| DIGIT 2: Unit Type<br>M = Separated Combustion<br>Gas Fired Indoor Duct Furnace  | S =Special   |          |
| DIGIT 3: Fuel<br>N = Natural<br>P = LP Gas (Propane)<br>S = Special  | *Specify discharge temperature   |          |
| DIGIT 4: Development Sequence<br>D = Forth   | DIGIT 10: Design Sequence<br>E = Fifth Design  |          |
| DIGIT 5,6,7: Input Capacity<br>010 =100 MBh 022 =220 MBh<br>012 =125 MBh 025 =230 MBh<br>015 =150 MBh 030 =300 MBh<br>017 =170 MBh 035 =350 MBh<br>020 =200 MBh 040 =400 MBh   | DIGIT 11: Heat Exchanger Matl<br>1 = Aluminized Steel<br>2 = #409 Stainless Steel<br>3 = #321 Stainless Steel<br>S = Special   |          |
| DIGIT 8: Main Power Supply<br>A = 115/60/1 D = 230/60/3<br>B = 230/60/1 E = 460/60/3<br>C = 208/60/3 S = Special   | DIGIT 12: Rooftop Arrangement<br>0 = None<br>S = Special   |          |
| DIGIT 9: Gas Control Options<br>A =Single-Stage Standing Pilot<br>C =Hydraulic Modulating<br>Standing Pilot*<br>D =Single-Stage,<br>Intermittent Pilot Ignition<br>E =Two-Stage,<br>Intermittent Pilot Ignition<br>F =Hydraulic Modulating Intermittent<br>Pilot Ign.,60-100°F Only<br>G =Hydraulic Modulating With Bypass,<br>Inter. Pilot Ign. 60-100°F Only<br>H =Electronic Modulating With<br>Room-Stat, Intermittent<br>Pilot Ignition<br>J =Electronic Modulating With<br>Duct-Stat, Intermittent<br>Pilot Ignition<br>K =Single Stage, Hot Surface Pilot<br>Ignition<br>L =Electronic Modulating With<br>External 4-20mA Input<br>N =Electronic Modulating With<br>External 0-10VDC Input<br>P =Hydraulic Modulating,<br>Intermittent Pilot Ignition<br>(75-150°F) | DIGIT 13: Rooftop Heating<br>Unit Motor Selection<br>0 = None<br>S = Special   |          |
|  | DIGIT 14: Rooftop Fan<br>Selection<br>0 = None<br>S = Special  |          |
|  | DIGIT 15: Miscellaneous Options<br>All Units<br>0 = None<br>A = #409 Stainless Steel<br>Burners<br>B = Orifices for Elevation<br>Above 2000 Feet (Specify<br>Elevation)<br>S = Special             |          |
|  | Separated Combustion Gas<br>Fitted Indoor Duct Furnace<br>C = #409 Stainless Steel<br>Draft Diverter<br>D = Summer/Winter Switch<br>F = Horizontal Louvers<br>G = Vertical & Horizontal<br>Louvers |          |



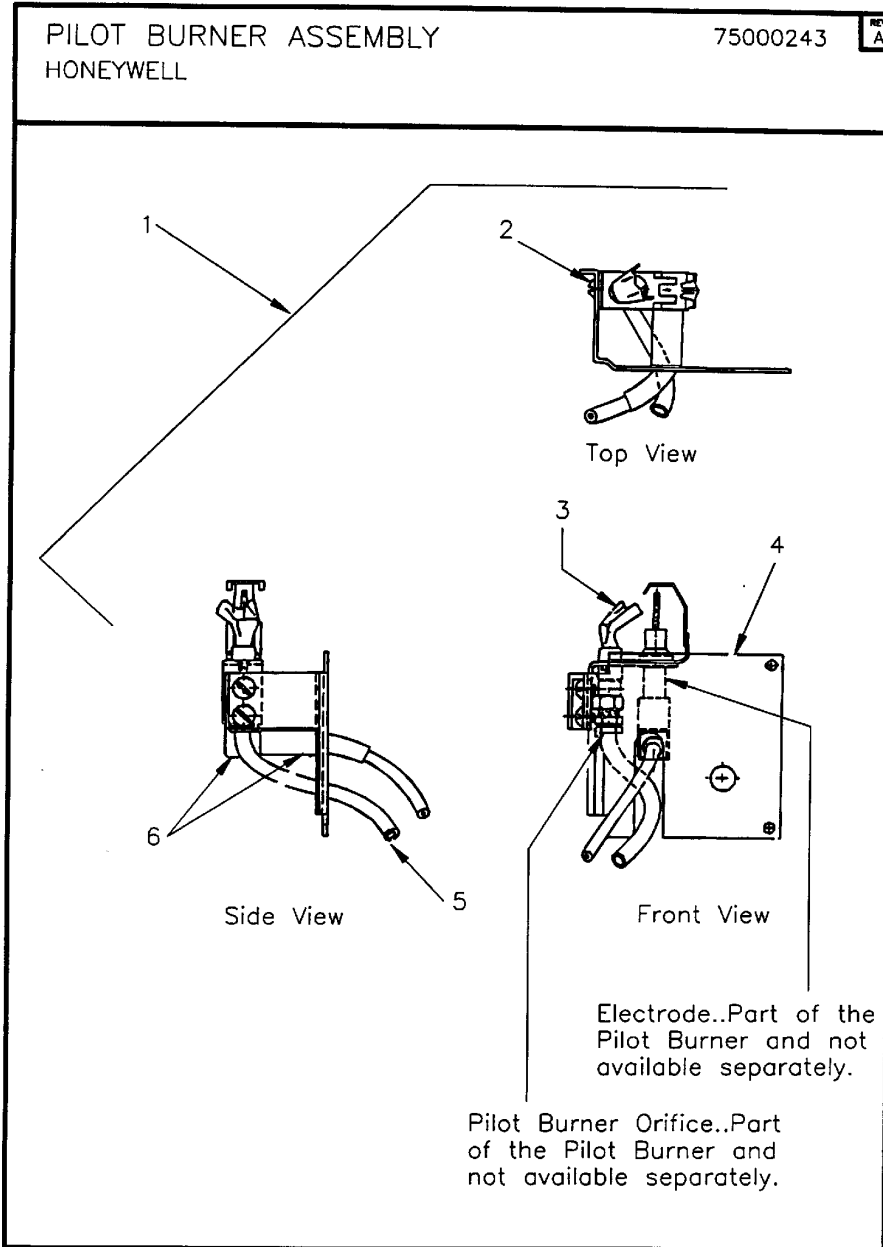
| <b>Part No.</b> | <b>Reference No.</b> | <b>Quantity</b> | <b>Description</b>               |
|-----------------|----------------------|-----------------|----------------------------------|
| PNE09545        | 1                    | 1               | PANEL; R.H JACKET                |
| PNE09546        | 2                    | 1               | PANEL; LH JACKET                 |
| BRK02457        | 3                    | 1               | BRACKET; JUNCTION BOX            |
| BRK02458        | 4                    | 1               | BRACKET; SUPPORT, HOZ RH TURN PV |



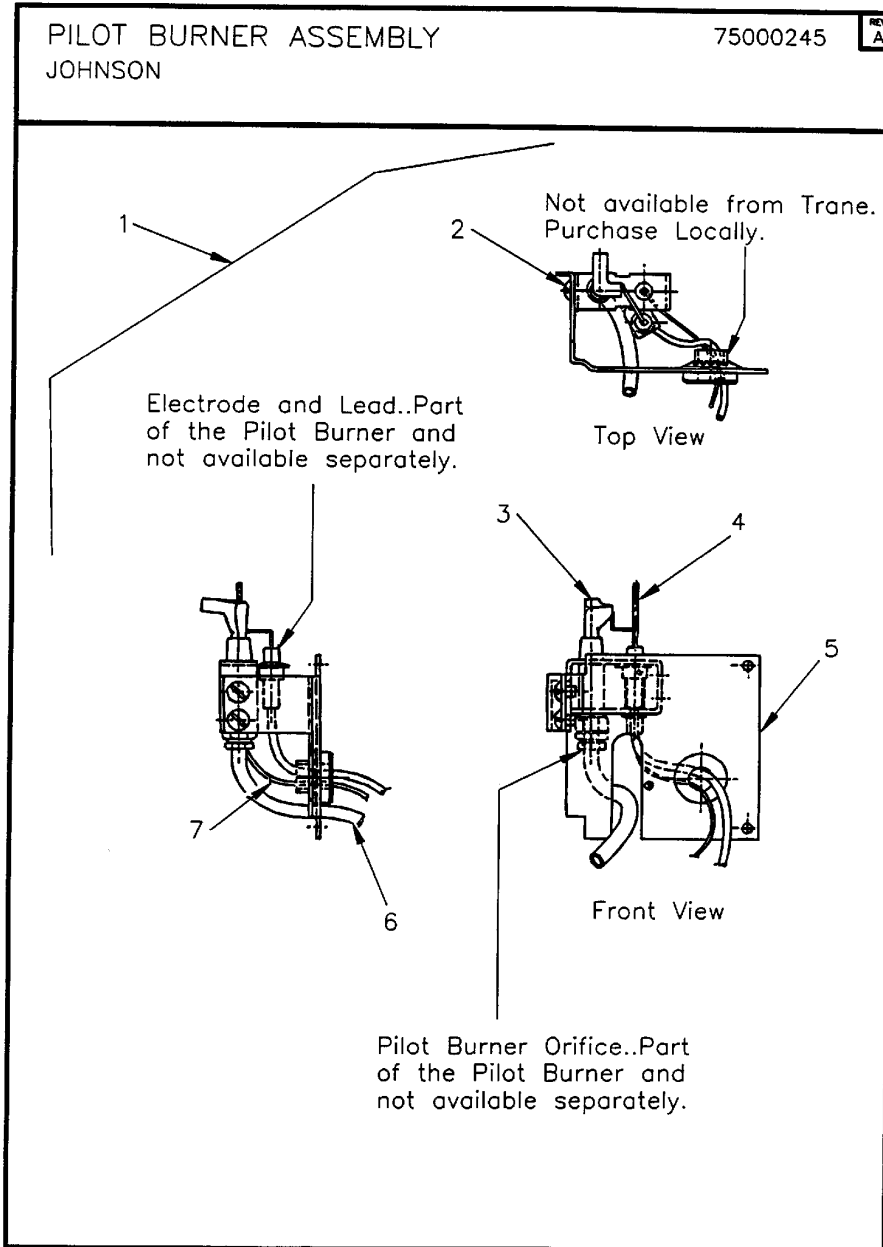
| <b>Part No.</b> | <b>Reference No.</b> | <b>Quantity</b> | <b>Description</b>  |
|-----------------|----------------------|-----------------|---|
| EXC01763        | 1                    | 1               | EXCHANGER; HEAT, 321 SS   |
| FLU00157        | 2                    | 1               | FLUE;COLLECTOR ASSEMBLY (QVSF/B 150) ALUM.                                      |
| BAF00262        | 3                    | 1               | BAFFLE; HEAT EXCHANGER AIR  |
| PNE09549        | 4                    | 1               | PANEL; EXTENSION BOTTOM   |
| PNE09559        | 5                    | 1               | PANEL; EXTENSION TOP  |
| PNE09569        | 6                    | 1               | PANEL; DUCT EXTENSION ASM.  |
| PNE09577        | 7                    | 2               | PANEL; EXTENSION SIDE   |
| SCR00769        | 8                    | 0               | SCREW; #8, PHILIPS PAN HEAD,1/2 IN. LG.   |
| BRK02941        | 9                    | 1               | BRACKET; RPL HIGH LIMIT FOR 100/125 ROOFTOP UNIT,<br>STERLING L. H., TRANE R.H. |
| SWT01743        | 9                    | 1               | SWITCH; HIGH LIMIT, 190 DEGREE, 2 PRONG   |
| SWT01744        | 9                    | 1               | SWITCH; HI LIMIT, 190 DEGREE, 3 PRONG   |



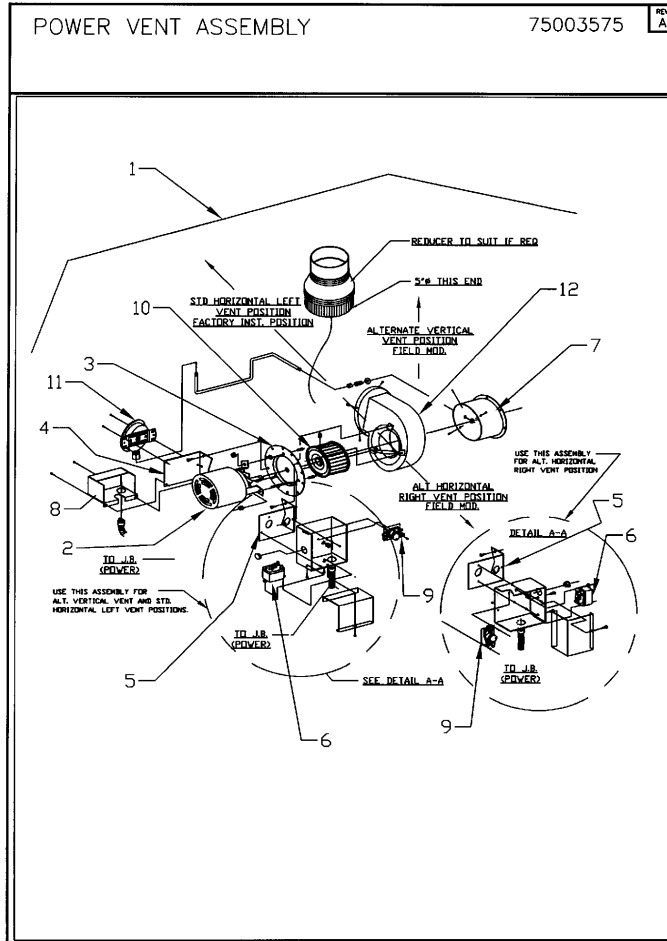
| Part No. | Reference No. | Quantity | Description   |
|----------|---------------|----------|---|
| GLS00172 | 1             | 1        | GLASS;WINDOW VIEWING, 1 1/2 INCHES  |
| BRK01003 | 2             | 1        | BRACKET; HONEYWELL IGNITOR MOUNTING   |
| SCR00769 | 3             | 2        | SCREW; #8, PHILIPS PAN HEAD,1/2 IN. LG.   |
| SCR00769 | 4             | 0        | SCREW; #8, PHILIPS PAN HEAD,1/2 IN. LG.   |
| SHT00034 | 5             | 12       | SHUTTER; AIR  |
| SHT00034 | 6             | 6        | SHUTTER; AIR  |
| ORF00615 | 7             | 0        | ORIFICE; MAIN BURNER, DRILL SIZE #41  |
| RIV00055 | 8             | 3        | RIVET;POP   |
| MFD00696 | 9             | 1        | MANIFOLD;ASSEMBLY (QVSF/B 150)  |
| BLT00183 | 10            | 4        | BOLT; HEX HEAD  |
| WAS00813 | 11            | 4        | WASHER;SPRING LOCK, 5/16"   |
| NUT00518 | 12            | 4        | NUT; HEX HEAD   |
| SCR00769 | 13            | 0        | SCREW; #8, PHILIPS PAN HEAD,1/2 IN. LG.   |
| PNN04901 | 14            | 1        | PANEL;GAS SUPPLY INLET (100-200 MBH)  |
| VAL03933 | 16            | 1        | VALVE;GAS, SPARK IGNITION 1/2 X 3/4, 1 STAGE NOTE: IF 9TH DIGIT OF THE MODEL NUMBER IS AN E USE VAL2117 (TWO STAGE GAS VALVE) |



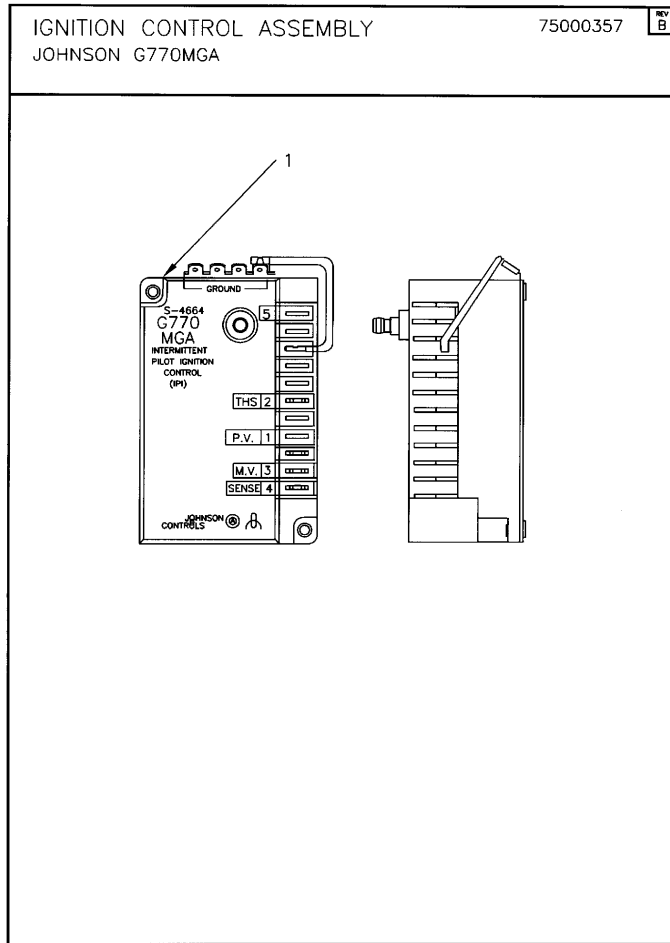
| Part No. | Reference No. | Quantity | Description   |
|----------|---------------|----------|---|
| PIT00084 | 1             | 1        | PILOT; NATURAL GAS, BURNER ASSEMBLY, R.H. INTERMITTENT, 150/400, HONEYWELL, WITH BRACKET AND TUBING |
| SCR01120 | 2             | 2        | SCREW; SLOTTED ROUND HEAD MACHINE, #10-32, 3/16 LENGTH  |
| PIT00068 | 3             | 1        | PILOT; NATURAL GAS, BURNER, R.H. ELECTRIC IGNITION  |
| BRK01004 | 4             | 1        | BRACKET; PILOT BURNER   |
| TUB02033 | 5             | 1        | TUBE;PILOT BURNER,24IN.ALUMINUM,1/4IN.OD  |
| LED00321 | 6             | 1        | LEAD;36IN.HI-TEMP IGNITION CABLE W/CERAMIC BOOT   |



| <b>Part No.</b> | <b>Reference No.</b> | <b>Quantity</b> | <b>Description</b>  |
|-----------------|----------------------|-----------------|---|
| PIT00088        | 1                    | 1               | PILOT; NATURAL GAS, BURNER ASSEMBLY, INTERMITTENT, 150/400, WITH BRACKET AND TUBING |
| SCR01120        | 2                    | 1               | SCREW; SLOTTED ROUND HEAD MACHINE, #10-32, 3/16 LENGTH                              |
| PIT00026        | 3                    | 1               | PILOT;BURNER,NATURAL R.H, ELECTRONIC IGNITION                                       |
| SEN00073        | 4                    | 1               | SENSOR;FLAME  |
| BRK01004        | 5                    | 1               | BRACKET; PILOT BURNER   |
| TUB02033        | 6                    | 1               | TUBE;PILOT BURNER,24IN.ALUMINUM,1/4IN.OD  |
| LED00284        | 7                    | 1               | LEAD; SENSING, 58"  |



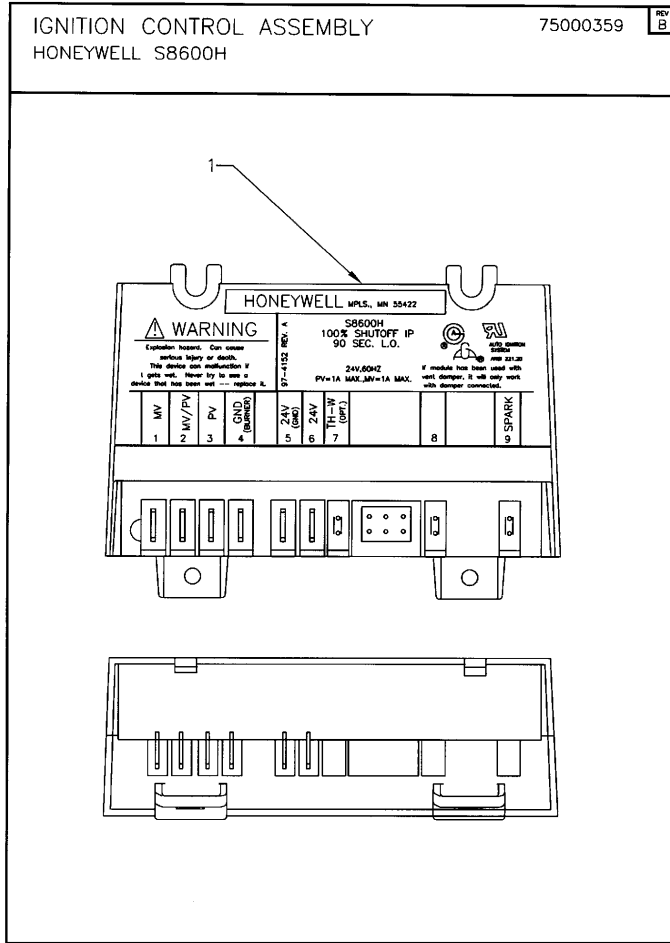
| Part No. | Reference No. | Quantity | Description  |
|----------|---------------|----------|--|
| BLW00448 | 1             | 1        | BLOWER;POWER VENT ASM., COMPLETE   |
| MOT02690 | 2             | 1        | MOTOR, POWER VENT(INDUCER), 1/20 HP, 115/60, 1.5 AMPS, 2 POLE,                   |
| PLT01122 | 3             | 1        | PLATE; ADAPTER FOR POWER VENT ASSEMBLY   |
| BRK00947 | 4             | 1        | BRACKET; PRESSURE SWITCH MOUNTING  |
| BRK00948 | 5             | 1        | BRACKET;JUNCTION BOX MOUNTING  |
| RLY02037 | 6             | 1        | RELAY; MOTOR 24VAC 50/60   |
| FLU00075 | 7             | 1        | FLUE; VENT   |
| COV01953 | 8             | 1        | COVER;PRESSURE SWITCH  |
| RLY01770 | 9             | 1        | RELAY; FAN TIME DELAY, (INSIDE JUNCTION BOX) ALSO CALLED SEQUENCER(THERM-0-DISC) |
| WHL00509 | 10            | 1        | WHEEL; DRAFTOR   |
| SWT01564 | 11            | 1        | SWITCH-AIR PRESSURE  |
| HUS03363 | 12            | 1        | HOUSING; BLOWER ASSEMBLY   |



Parts List Number :GMNDUP1

Model Number :GMND015ADF30000

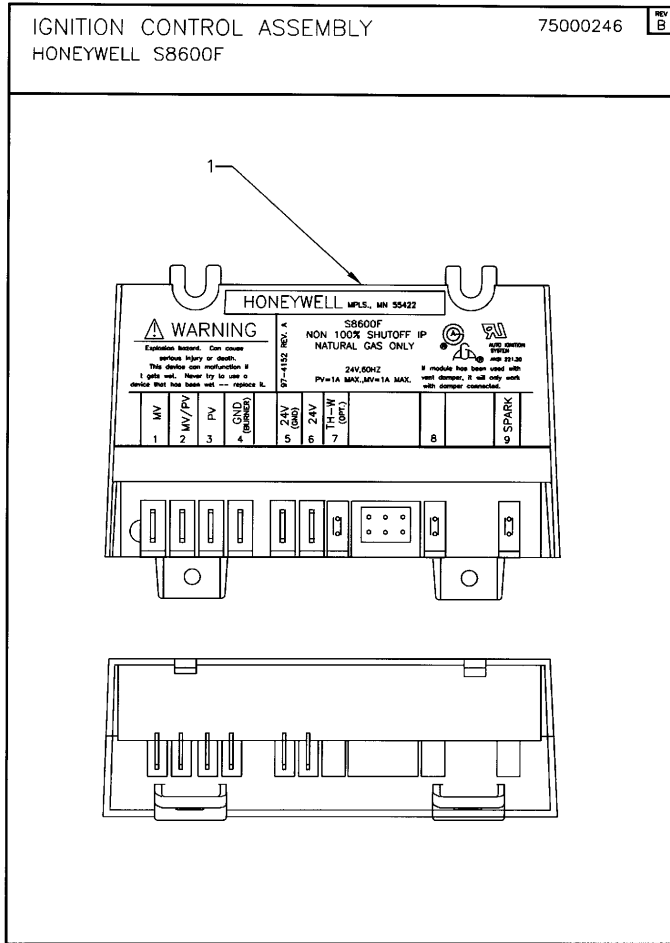
| <b>Part No.</b> | <b>Reference No.</b> | <b>Quantity</b> | <b>Description</b>                    |
|-----------------|----------------------|-----------------|---------------------------------------|
| CNT00906        | *                    | 1               | CONTROL, REMOTE SELECTOR, 55-90 TD121 |
| THT00412        | *                    | 1               | THERMOSTAT; ROOM OVERRIDE             |
| CNT01190        | 1                    | 1               | CONTROL, IGNITION, W/LOCKOUT          |



Parts List Number :GMNDUP1

Model Number :GMND015ADF30000

| <b>Part No.</b> | <b>Reference No.</b> | <b>Quantity</b> | <b>Description</b>                            |
|-----------------|----------------------|-----------------|---|
| CNT00906        | *                    | 1               | CONTROL, REMOTE SELECTOR, 55-90 TD121         |
| THT00412        | *                    | 1               | THERMOSTAT; ROOM OVERRIDE                     |
| CNT01241        | 1                    | 1               | CONTROL, IGNITION MODULE 90 SEC. MAX. LOCKOUT |



Parts List Number :GMNDUP1

Model Number :GMND015ADF30000

| <b>Part No.</b> | <b>Reference No.</b> | <b>Quantity</b> | <b>Description</b>                       |
|-----------------|----------------------|-----------------|--|
| CNT00906        | *                    | 1               | CONTROL, REMOTE SELECTOR, 55-90 TD121    |
| THT00412        | *                    | 1               | THERMOSTAT; ROOM OVERRIDE                |
| CNT01318        | 1                    | 1               | CONTROL, IGNITION NATURAL GAS(HONEYWELL) |

Parts List Number :GMNDUP1

Model Number :GMND015ADF30000

| <b>Part No.</b> | <b>Reference No.</b> | <b>Quantity</b> | <b>Description</b> |
|-----------------|----------------------|-----------------|--------------------|
| ADP00489        | *                    | 1               | ADAPTER;           |
| CAP00548        | *                    | 1               | CAP; 4 INCH VENT   |