

Part No.	Reference No.	Quantity	Description
75000383#GDNDUP2~S	*		BURNER & MANIFOLD ASSEMBLY
75000384#GDNDUP2~S	*		BURNER COMPONENTS
75000382#GDNDUP2~S	*		BURNER DRAWER ASSEMBLY
GDND2016#GDNDUP2~S	*		CANADIAN / STANDARD VENT CAP & ADAPTER
75000381#GDNDUP2~S	*		FURNACE ASSEMBLY, SIDE VIEW
GDND2002#GDNDUP2~S	*		GAS VALVE, NATURAL
GDND2001_GDNDUP2_105068~ P	*		GDNDUP2 PARTS LIST
75000387#GDNDUP2~S	*		GENERAL ASSEMBLY, SIDE VIEW
75000386#GDNDUP2~S	*		GENERAL ASSEMBLY, TOP VIEW
75000380#GDNDUP2~S	*		HEAT EXCHANGER OR DRAFT DIVERTER
75000385#GDNDUP2~S	*		IGNITION CONTROLS
75000093#GDNDUP2~S	*		MODEL NUMBER DESCRIPTION
75000243#GDNDUP2~S	*		PILOT BURNER ASSEMBLY, HONEYWELL
75000242#GDNDUP2~S	*		PILOT BURNER ASSEMBLY, HONEYWELL
75000244#GDNDUP2~S	*		PILOT BURNER ASSEMBLY, JOHNSON
75000245#GDNDUP2~S	*		PILOT BURNER ASSEMBLY, JOHNSON
75000388#GDNDUP2~S	*		POWER VENT ASSEMBLY
75000248#GDNDUP2~S	*		SUMMER/WINTER SWITCH
75000373#GDNDUP2~S	*		TIME DELAY RELAY

NO GRAPHIC AVAILABLE

75013702

REV
A

**NO
GRAPHIC
AVAILABLE**



Part No.	Reference No.	Quantity	Description
75000382#GDNDUP2~S	*		BURNER DRAWER ASSEMBLY
75000380_GDNDUP2_162826~P	*		HEAT EXCHANGER OR DRAFT DIVERTER PARTS LIST



Parts List Number :GDND2001#GDNDUP2

Model Number :GLND040ADG1000M

Part No.	Reference No.	Quantity	Description
FLU00085	1	1	FLUE;COLLECTOR - ALUMINIZED HORZ PBE&DE
EXC01528	2	1	EXCHANGER; HEAT ALUMINUM

BURNER DRAWER ASSEMBLY

75000382

REV
A



Part No.	Reference No.	Quantity	Description
75000382_GDNDUP2_105081~P	*		BURNER DRAWER ASSEMBLY PARTS LIST

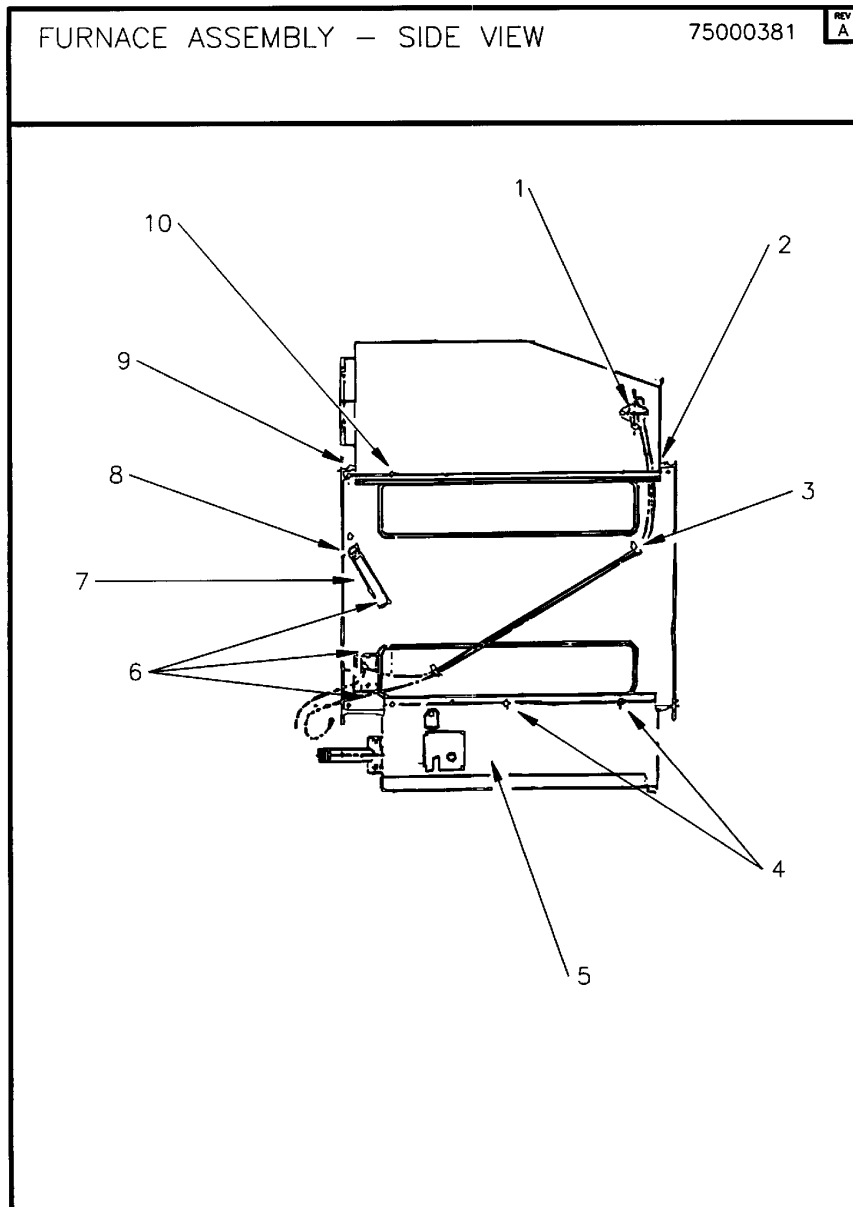
BURNER DRAWER ASSEMBLY

75000382

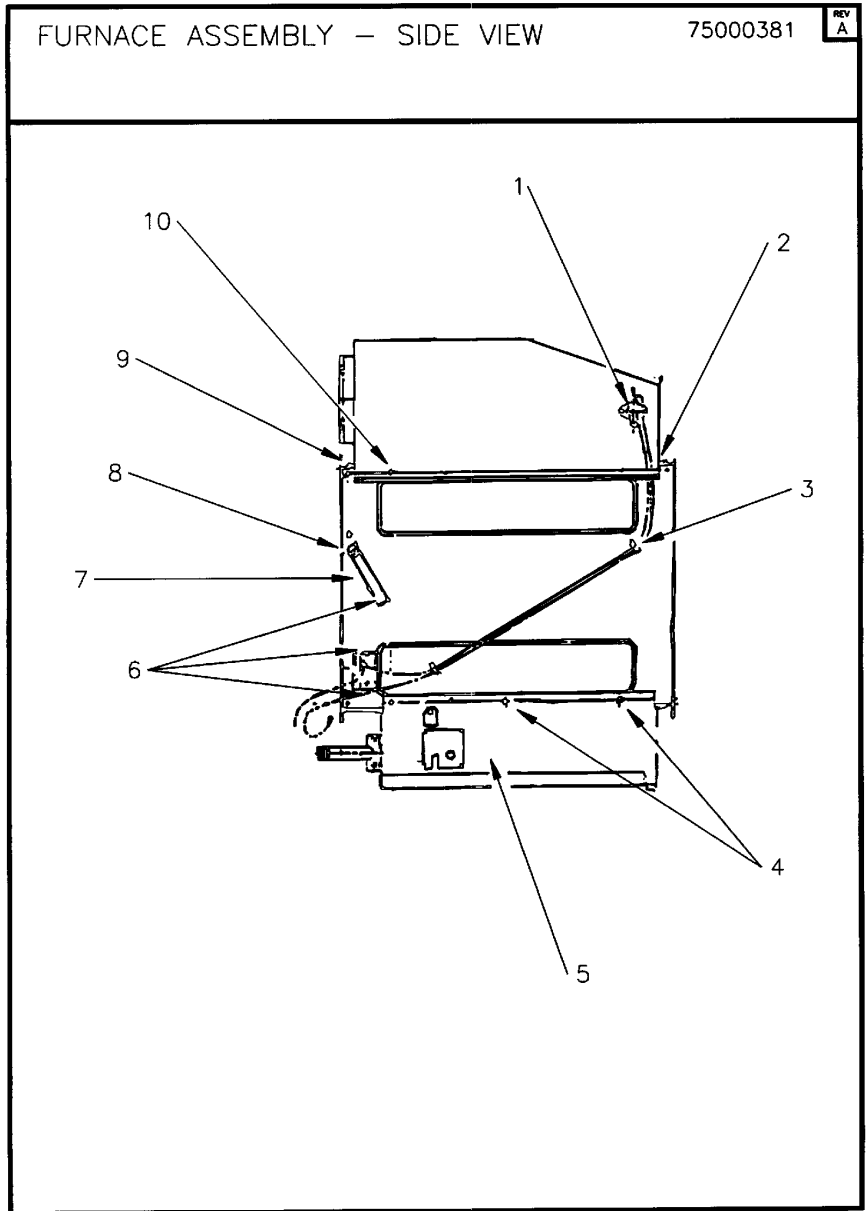
REV
A



Part No.	Reference No.	Quantity	Description
CAS00234	1	1	CASING;(BURNER DRAWER), LESS BURNERS, CROSSOVER PIPE, C SERIES CENTRIFUGAL
SHT00034	2	32	SHUTTER; AIR



Part No.	Reference No.	Quantity	Description
75000382#GDNDUP2~S	*		BURNER DRAWER ASSEMBLY
75000381_GDNDUP2_105082~P	*		FURNACE ASSEMBLY, SIDE VIEW PARTS LIST



Parts List Number :GDND2001#GDNDUP2

Model Number :GLND040ADG1000M

Part No.	Reference No.	Quantity	Description
SWT01433	1	1	SWITCH; BLOCKED-VENT, 250 DEG. OPEN, 2 WIRE, FOR 75 MBH UNITS
SCR00769	2	1	SCREW; #8, PHILIPS PAN HEAD,1/2 IN. LG.
SCR00769	3	1	SCREW; #8, PHILIPS PAN HEAD,1/2 IN. LG.
SCR01379	4	1	SCREW;SELF-TAPPING, #10-1/2
SCR01379	6	1	SCREW;SELF-TAPPING, #10-1/2
BAF00269	7	1	BAFFLE; HEAT EXCHANGER AIR
SCR00769	8	1	SCREW; #8, PHILIPS PAN HEAD,1/2 IN. LG.
SCR00769	9	1	SCREW; #8, PHILIPS PAN HEAD,1/2 IN. LG.
SCR01379	10	1	SCREW;SELF-TAPPING, #10-1/2

BURNER DRAWER ASSEMBLY

75000382

REV
A



Part No.	Reference No.	Quantity	Description
75000382_GDNDUP2_105081~P	*		BURNER DRAWER ASSEMBLY PARTS LIST

BURNER DRAWER ASSEMBLY

75000382

REV
A

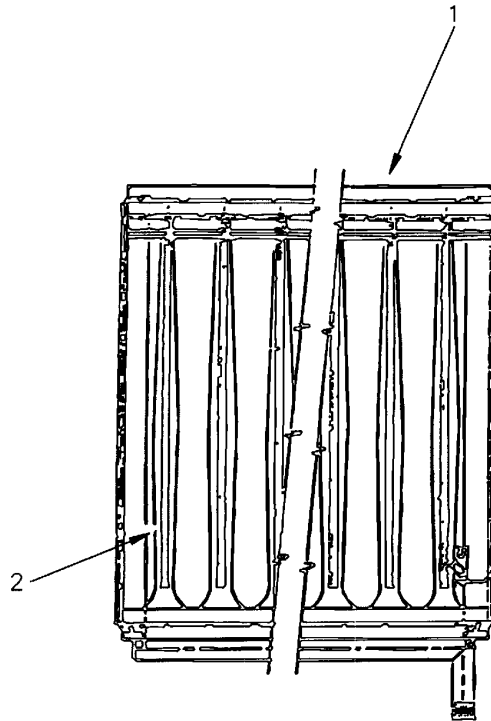


Part No.	Reference No.	Quantity	Description
CAS00234	1	1	CASING;(BURNER DRAWER), LESS BURNERS, CROSSOVER PIPE, C SERIES CENTRIFUGAL
SHT00034	2	32	SHUTTER; AIR

BURNER DRAWER ASSEMBLY

75000382

REV
A

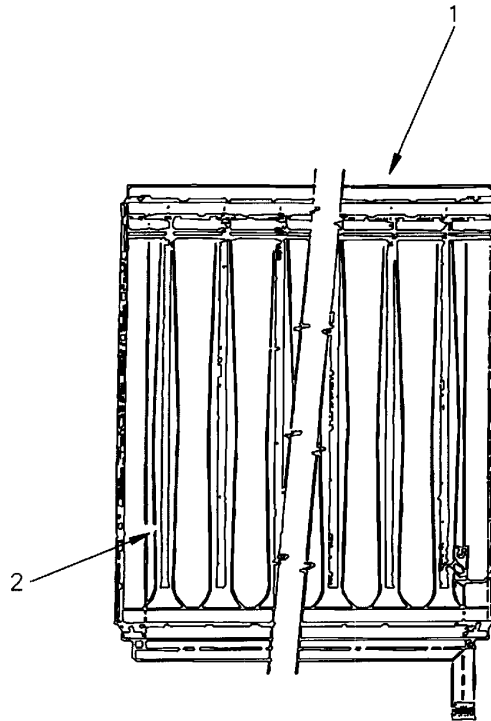


Part No.	Reference No.	Quantity	Description
75000382_GDNDUP2_105081~P	*		BURNER DRAWER ASSEMBLY PARTS LIST

BURNER DRAWER ASSEMBLY

75000382

REV
A



Part No.	Reference No.	Quantity	Description
CAS00234	1	1	CASING;(BURNER DRAWER), LESS BURNERS, CROSSOVER PIPE, C SERIES CENTRIFUGAL
SHT00034	2	32	SHUTTER; AIR



Part No.	Reference No.	Quantity	Description
75000383_GDNDUP2_359928~P	*		BURNER & MANIFOLD ASSEMBLY PARTS LIST



Parts List Number :GDND2001#GDNDUP2

Model Number :GLND040ADG1000M

Part No.	Reference No.	Quantity	Description
COV01808	1	1	COVER;PEEP HOLE
PNN00702	2	1	PANEL; BOTTOM SERVICE
BNR00596	4	16	BURNER;MAIN, ALUMINUM, SINGLE BURNER

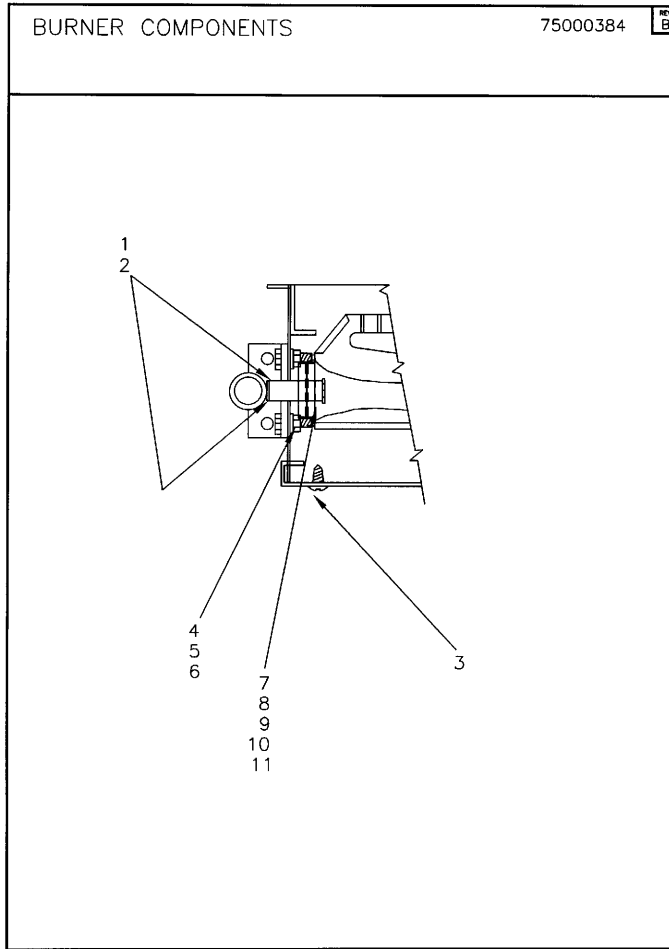


BURNER COMPONENTS

Parts List Number :GDND2001#GDNDUP2

Model Number :GLND040ADG1000M

Part No.	Reference No.	Quantity	Description
75000384_GDNDUP2_105086~P	*		BURNER COMPONENTS PARTS LIST



Part No.	Reference No.	Quantity	Description
SPG00249	1	16	SPRING;BURNER, ORDER QTY.SHOULD BE PCS
HLD00116	2	16	HOLDER; ORIFICE
SCR00964	3	5	SCREW; #8, 1/2 IN. LG. SELF TAPPING
BLT00183	4	4	BOLT; HEX HEAD
NUT00518	5	4	NUT; HEX HEAD
WAS00671	6	4	WASHER; LOCK, 5/16 NOMINAL SIZE, .321 ID, .586 OD
ORF00615	7	16	ORIFICE; MAIN BURNER, DRILL SIZE #41



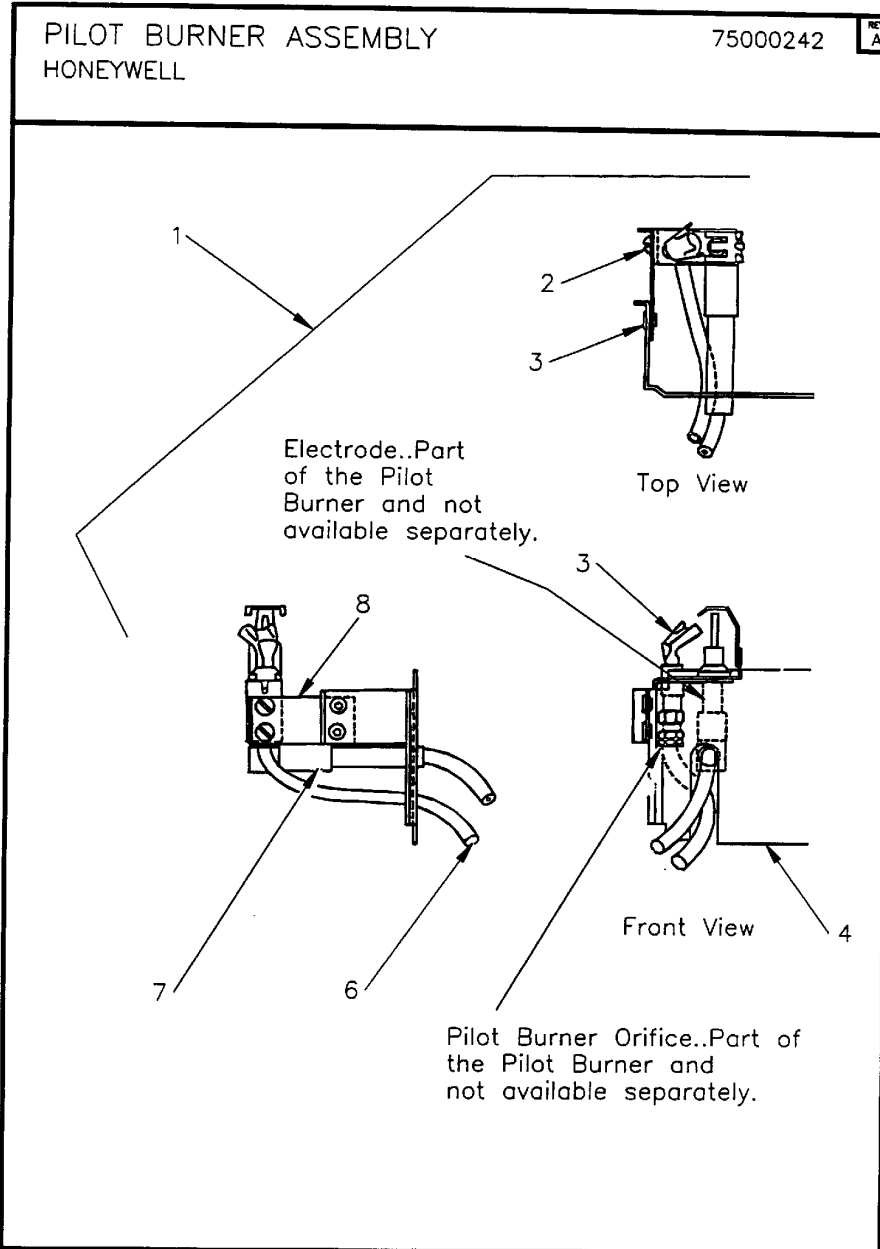
Part No.	Reference No.	Quantity	Description
75000243_GDNDUP2_105952~P	*		PILOT BURNER ASSEMBLY, HONEYWELL PARTS LIST



Parts List Number :GDND2001#GDNDUP2

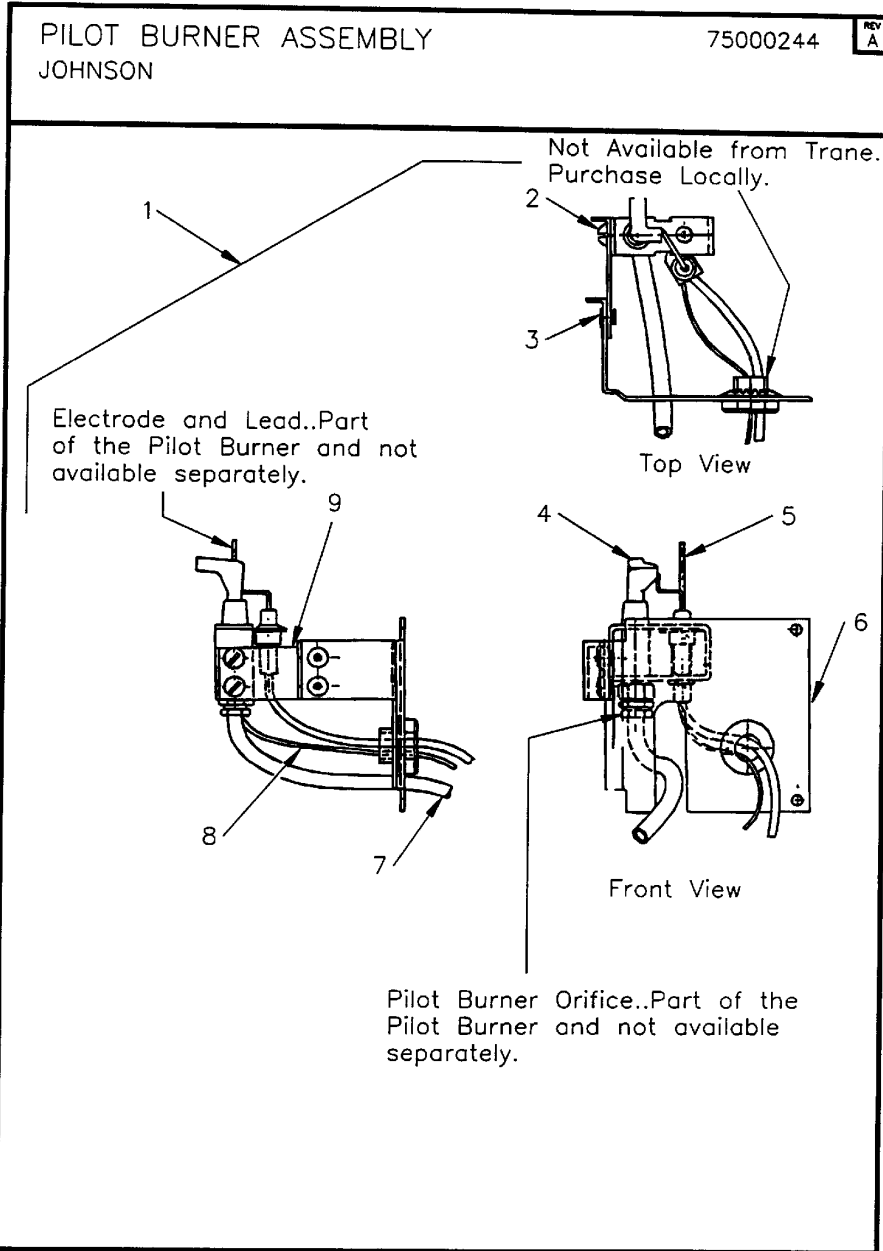
Model Number :GLND040ADG1000M

Part No.	Reference No.	Quantity	Description
PIT00084	1	1	PILOT; NATURAL GAS, BURNER ASSEMBLY, R.H. INTERMITTENT, 150/400, HONEYWELL, WITH BRACKET AND TUBING
PIT00228	1	1	PILOT; NATURAL GAS ASSEMBLY, L.H. SPARK IGN. 150/400
SCR01120	2	2	SCREW; SLOTTED ROUND HEAD MACHINE, #10-32, 3/16 LENGTH
PIT00068	3	1	PILOT; NATURAL GAS, BURNER, R.H. ELECTRIC IGNITION
PIT00224	3	1	PILOT; BURNER L.H., ELECTRIC IGNITION, NAT. GAS
BRK01004	4	1	BRACKET; PILOT BURNER
TUB02033	5	1	TUBE;PILOT BURNER,24IN.ALUMINUM,1/4IN.OD
LED00321	6	1	LEAD;36IN.HI-TEMP IGNITION CABLE W/CERAMIC BOOT



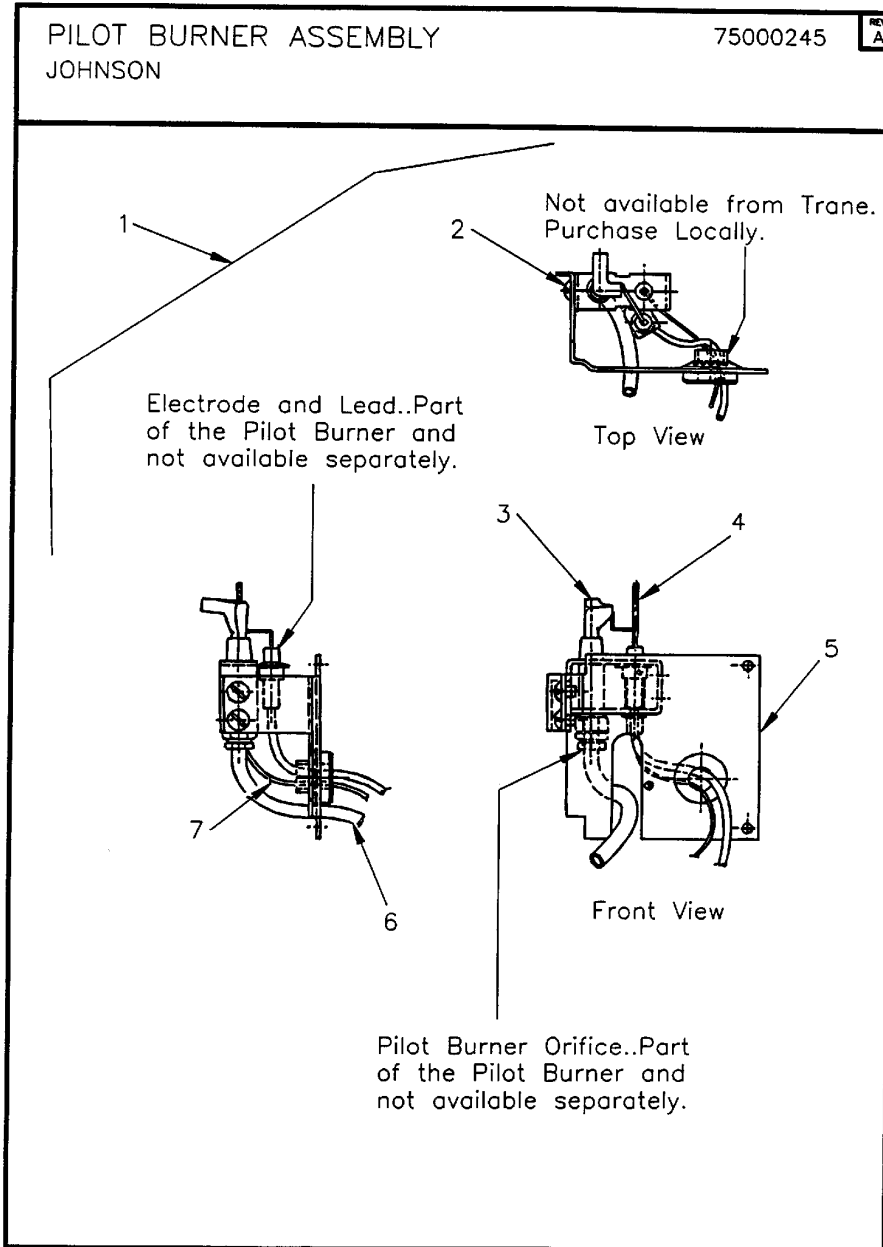
Part No.	Reference No.	Quantity	Description
75000242_GDNDUP2_105070~P	*		PILOT BURNER ASSEMBLY, HONEYWELL PARTS LIST



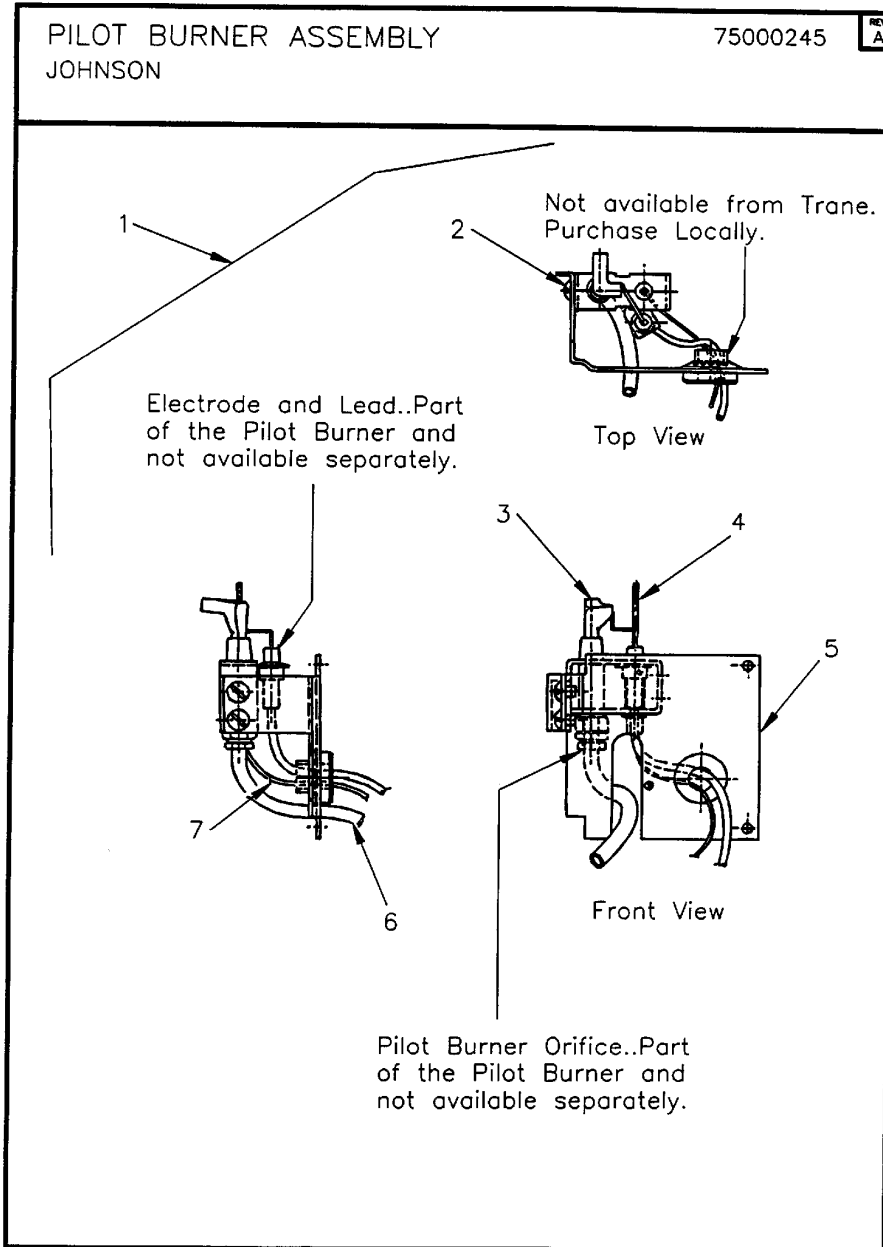


Part No.	Reference No.	Quantity	Description
75000244_GDNDUP2_105072~P	*		PILOT BURNER ASSEMBLY, JOHNSON PARTS LIST





Part No.	Reference No.	Quantity	Description
75000245_GDNDUP2_105956~P	*		PILOT BURNER ASSEMBLY, JOHNSON PARTS LIST



Part No.	Reference No.	Quantity	Description
PIT00088	1	1	PILOT; NATURAL GAS, BURNER ASSEMBLY, INTERMITTENT, 150/400, WITH BRACKET AND TUBING
SCR01120	2	1	SCREW; SLOTTED ROUND HEAD MACHINE, #10-32, 3/16 LENGTH
PIT00026	3	1	PILOT;BURNER,NATURAL R.H, ELECTRONIC IGNITION
SEN00073	4	1	SENSOR;FLAME
BRK01004	5	1	BRACKET; PILOT BURNER
TUB02033	6	1	TUBE;PILOT BURNER,24IN.ALUMINUM,1/4IN.OD
LED00284	7	1	LEAD; SENSING, 58"

Parts List Number :GDND2001#GDNDUP2

Model Number :GLND040ADG1000M

Part No.	Reference No.	Quantity	Description
GDND2002_GDNDUP2_166306~ P	*		GAS VALVE, NATURAL PARTS LIST

NO GRAPHIC AVAILABLE

75013702

REV
A

**NO
GRAPHIC
AVAILABLE**

Parts List Number :GDND2001#GDNDUP2

Model Number :GLND040ADG1000M

Part No.	Reference No.	Quantity	Description
VAL02116	1	1	VALVE;GAS, NAT., 250 BTUH, 24V, CONN. .75 X .75



IGNITION CONTROLS

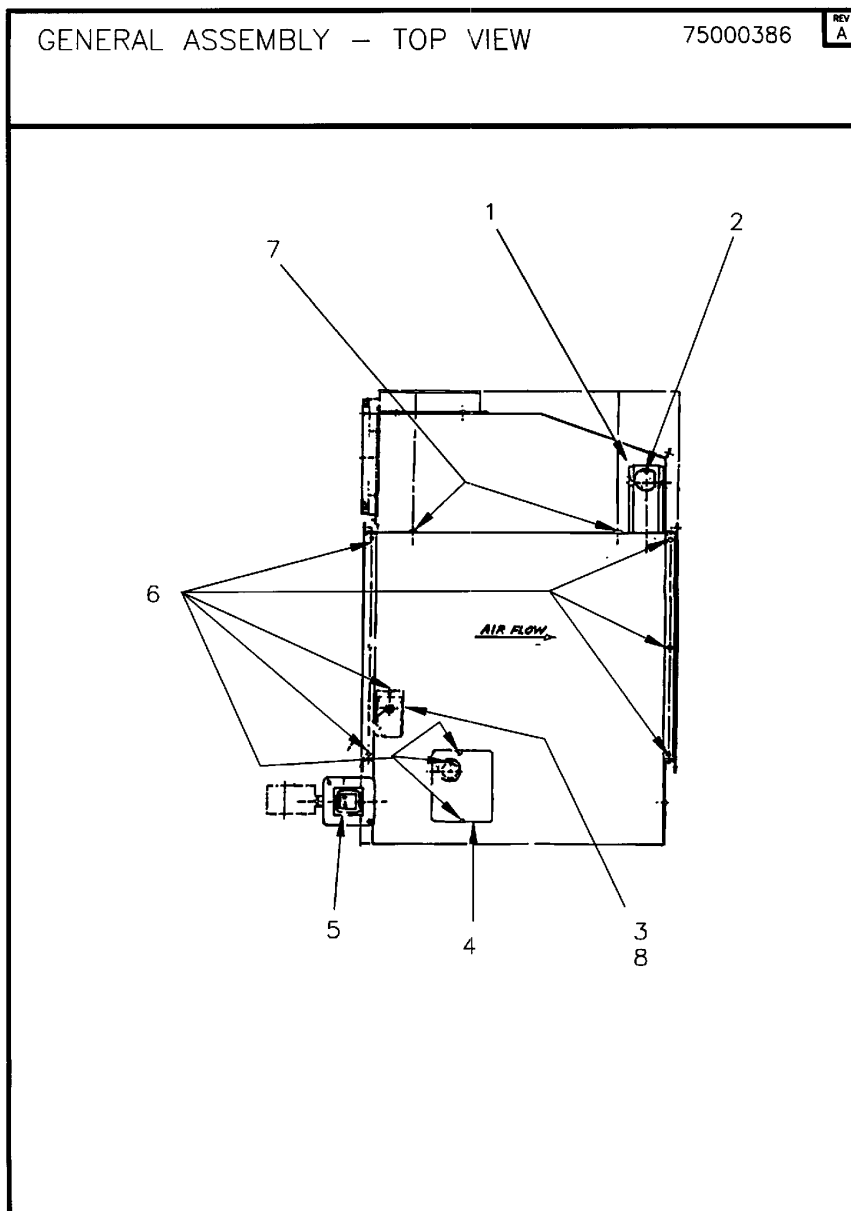
Parts List Number :GDND2001#GDNDUP2

Model Number :GLND040ADG1000M

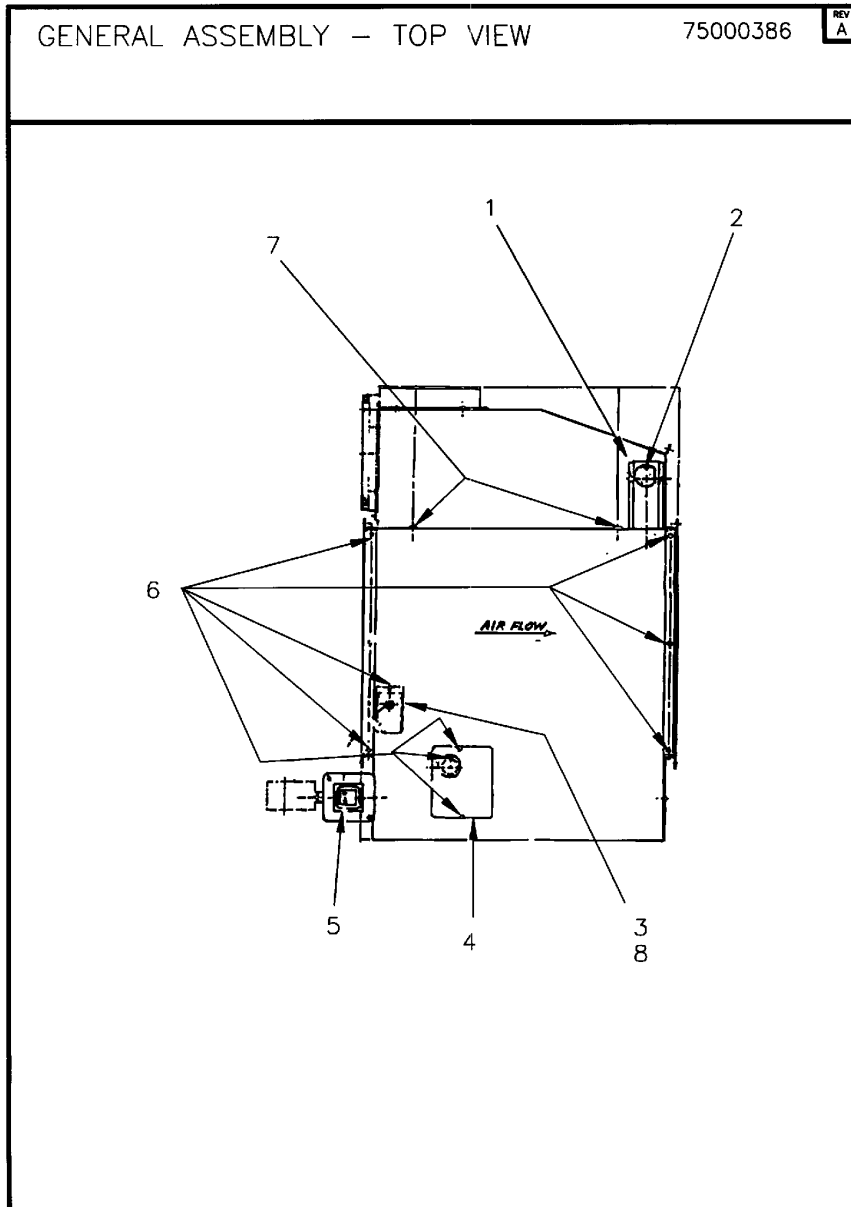
Part No.	Reference No.	Quantity	Description
75000385_GDNDUP2_105091~P	*		IGNITION CONTROLS PARTS LIST



Part No.	Reference No.	Quantity	Description
CNT01318	1	1	CONTROL, IGNITION NATURAL GAS(HONEYWELL)
CNT01466	2	1	CONTROL; IGNITOR, CONTINUOUS RETRY 100 PERCENT SHUTOFF IP
CNT01241	3	1	CONTROL, IGNITION MODULE 90 SEC. MAX. LOCKOUT
CNT01012	4	1	CONTROL; SPARK IGNITION
CNT01190	5	1	CONTROL, IGNITION, W/LOCKOUT
CNT01467	6	1	CONTROL; IGNITOR



Part No.	Reference No.	Quantity	Description
75000386_GDNDUP2_115661~P	*		GENERAL ASSEMBLY, TOP VIEW PARTS LIST



Parts List Number :GDND2001#GDNDUP2

Model Number :GLND040ADG1000M

Part No.	Reference No.	Quantity	Description
SCR00964	2	1	SCREW; #8, 1/2 IN. LG. SELF TAPPING
SWT01429	3	1	SWITCH, PRIMARY HIGH LIMIT, HL1, ON THE INLET, 3 PRONG
SWT01430	3	1	SWITCH; HIGH LIMIT (DUCT ONLY), 2 PRONG
DOR00396	4	1	DOOR; PILOT SIDE ACCESS
TRR00465	5	1	TRANSFORMER; 40VA, 115-120V PRI., 24V SEC.
SCR00964	6	9	SCREW; #8, 1/2 IN. LG. SELF TAPPING
RTR00096	7	2	RETAINER, NUT
DOR00735	8	1	DOOR;HIGH LIMIT ACCESS

Part No.	Reference No.	Quantity	Description
75000387_GDNDUP2_105097~P	*		GENERAL ASSEMBLY, SIDE VIEW PARTS LIST

NO GRAPHIC AVAILABLE

75013702

REV
A

**NO
GRAPHIC
AVAILABLE**

Parts List Number :GDND2001#GDNDUP2

Model Number :GLND040ADG1000M

Part No.	Reference No.	Quantity	Description
PNN03643	1	1	PANEL;OUTSIDE JACKET LH OR RH
PNN03654	2	1	PANEL;LOWER FRONT TRIM 400
PNN03644	3	1	PANEL; OUTSIDE JACKET, WITH CUTOUTS FOR PILOT RELAY ETC... RH

Parts List Number :GDND2001#GDNDUP2

Model Number :GLND040ADG1000M

Part No.	Reference No.	Quantity	Description
75000388_GDNDUP2_105100~P	*		POWER VENT ASSEMBLY PARTS LIST

NO GRAPHIC AVAILABLE

75013702

REV
A

**NO
GRAPHIC
AVAILABLE**

Part No.	Reference No.	Quantity	Description
SCR00769	1	2	SCREW; #8, PHILIPS PAN HEAD,1/2 IN. LG.
BRK00947	2	1	BRACKET; PRESSURE SWITCH MOUNTING
SCR00769	3	1	SCREW; #8, PHILIPS PAN HEAD,1/2 IN. LG.
SWT00645	4	1	SWITCH;CONTROL, PRESSURE, .30 IN WC
FLU00075	5	1	FLUE; VENT
SCR00769	6	1	SCREW; #8, PHILIPS PAN HEAD,1/2 IN. LG.
HUS01380	7	1	HOUSING;POWER VENT BLOWER
WHL00509	8	1	WHEEL; DRAFTOR
PLT01122	9	1	PLATE; ADAPTER FOR POWER VENT ASSEMBLY
SCR00769	10	5	SCREW; #8, PHILIPS PAN HEAD,1/2 IN. LG.
RLY00978	11	1	RELAY; POWER CONTROL, 24V COIL, DPST, 12 AMP AT 125V
BRK00948	12	1	BRACKET;JUNCTION BOX MOUNTING
MOT02690	13	1	MOTOR, POWER VENT(INDUCER), 1/20 HP, 115/60, 1.5 AMPS, 2 POLE,
COV01241	14	1	COVER; PRESSURE SWITCH BRACKET

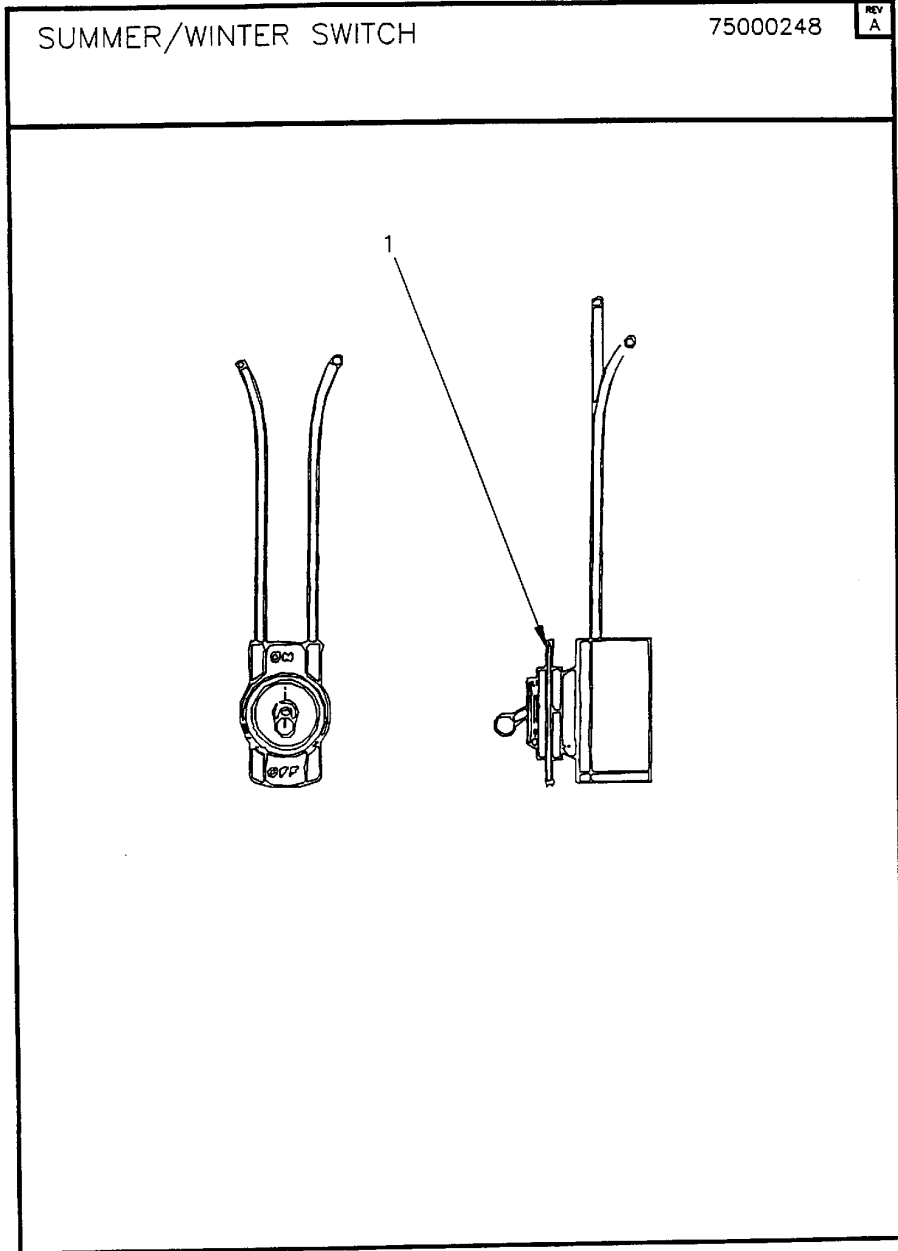
Part No.	Reference No.	Quantity	Description
75000373_GDNDUP2_105960~P	*		TIME DELAY RELAY PARTS LIST

NO GRAPHIC AVAILABLE

75013702

REV
A

**NO
GRAPHIC
AVAILABLE**



Part No.	Reference No.	Quantity	Description
75000248_GDNDUP2_105074~P	*		SUMMER/WINTER SWITCH PARTS LIST



Part No.	Reference No.	Quantity	Description
GDND2016_GDNDUP2_105109~ P	*		CANADIAN / STANDARD VENT CAP & ADAPTER PARTS LIST

NO GRAPHIC AVAILABLE

75013702

REV
A

**NO
GRAPHIC
AVAILABLE**

Parts List Number :GDND2001#GDNDUP2

Model Number :GLND040ADG1000M

Part No.	Reference No.	Quantity	Description
ADP00490	*	1	ADAPTER;
CAP00550	*	1	CAP; VENT 6 INCH

MODEL NUMBER DESCRIPTION		75000093	REV F
Indoor Gas Heating Units			
Digit 1 — Gas Heating Equipment	Digit 12 — Rooftop Arrangements		
Digit 2 — Unit Type	0 = None (Indoor Unit)		
P = Propeller Fan Unit Heater	S = Special		
B = High Efficiency Centrifugal Fan Unit Heater	Digit 13 — Rooftop Heating Unit		
C = Centrifugal Fan Unit Heater	Motor Selection		
D = Indoor Duct Furnace	S = Special		
L = High Eff. Indoor Duct Furnace	0 = None (Indoor Unit & Rooftop Duct Furnace)		
H = High Efficiency Propeller Fan U.H.	Digit 14 — Rooftop Fan Section		
E = Centrifugal Fan U.H. with Enclosure	0 = None (Indoor Unit & Rooftop Duct Furnace)		
S = Special	S = Special		
Digit 3 — Fuel	Digit 15 — Miscellaneous Options		
N = Natural Gas	All Units		
P = LP Gas (Propane)	0 = None		
S = Special	A = #409 Stainless Steel Burners (see note 2)		
Digit 4 — Design Sequence	B = Orifices for Elevation Above 2000 Feet		
F = Sixth Generation etc	(Specify Elevation)		
Digit 5,6,7 — Input Capacity	S = Special		
Single Furnace	Propeller Fan Unit Heater (Std.,Hi-Effic.&Sep.Comb.)		
003 = 30 MBh 017 = 175 MBh	C = #409 Stainless Steel Draft Diverter		
004 = 45 MBh 020 = 200 MBh	D = Summer-Winter Switch		
005 = 50 MBh 022 = 225 MBh	E = Vertical Louvers		
006 = 60 MBh 025 = 250 MBh	J = Totally Enclosed Motor		
007 = 75 MBh 030 = 300 MBh	7 = OSHA Fan Guard		
010 = 100 MBh 035 = 350 MBh	Centrifugal Fan Unit Heater (Std.,Hi-Effic.&Sep.Comb.)		
012 = 125 MBh 040 = 400 MBh	C = #409 Stainless Steel Draft Diverter		
015 = 150 MBh	D = Summer-Winter Switch		
Digit 8 — Main Power Supply	E = Vertical Louvers		
A = 115/60/1	H = Duct Discharge Flange		
B = 230/60/1	J = Totally Enclosed Motor		
C = 208/60/3	Duct Furnace (Indoor)(Std. or Hi-Eff.)		
D = 230/60/3	C = #409 Stainless Steel Draft Diverter		
E = 460/60/3	D = Summer-Winter Switch		
F = 575/60/3	F = Horizontal Louvers		
S = Special	G = Horizontal & Vert. Louvers		
Digit 9 — Gas Control Option	K = Side Access Burner Drawer (Left Hand) *		
A = Single-Stage, Standing Pilot	L = Fan Time Delay Control		
B = Two Stage, Standing Pilot	M = Side Access Burner Drawer (Right Hand) *		
C = Hydraulic Modulating, Standing Pilot *	Separated Combustion Indoor Duct Furnace		
D = Single-Stage, Intermittent Pilot Ignition	C = #409 Stainless Steel Draft Diverter		
E = Two-Stage, Intermittent Pilot Ignition	D = Summer-Winter Switch		
F = Hydraulic Modulating, Inter. Pilot, 60-100 Deg.*	F = Horizontal Louvers		
G = Hydraulic Mod.w/Bypass, Inter. Pilot 60-100 Deg.	G = Horizontal & Vertical Louvers		
H = Elec. Mod. W/Room Stat, Intermittent Pilot Ign.	Tubular Heat Exchanger, Propeller Type		
J = Elec. Mod. W/Duct Stat, Intermittent Pilot Ign.	J = Totally Enclosed Motor		
L = Elec. Mod. W/External 4-20 mA Input	7 = OSHA Fan Guard		
N = Elec. Mod. W/External 0-10 VDC Input			
P = Hydraulic Mod., Intermittent Pilot 75-150 Deg.			
R = Hydraulic Mod.w/Bypass, Inter.Pilot 75-150 Deg.			
S = Special			
*Specify discharge temperature			
Digit 10 — Design Sequence	Notes:		
D = Forth Design	1. Available on the tubular sizes 100-40 only.		
Digit 11 — Heat Exchanger Material	2. Not available for tubular.		
1 = Aluminized Steel	*Opt.M & K are determined by facing the air outlet side of the duct furnace.		
2 = #409 Stainless Steel (see note 1)			
3 = #321 Stainless Steel (see note 2)			
S = Special			

Part No.	Reference No.	Quantity	Description
75000093_GDNDUP2_105069~P	*		MODEL NUMBER DESCRIPTION PARTS LIST

MODEL NUMBER DESCRIPTION		75000093	REV F
Indoor Gas Heating Units			
Digit 1 — Gas Heating Equipment	Digit 12 — Rooftop Arrangements		
Digit 2 — Unit Type	0 = None (Indoor Unit)		
P = Propeller Fan Unit Heater	S = Special		
B = High Efficiency Centrifugal Fan Unit Heater	Digit 13 — Rooftop Heating Unit		
C = Centrifugal Fan Unit Heater	Motor Selection		
D = Indoor Duct Furnace	S = Special		
L = High Eff. Indoor Duct Furnace	0 = None (Indoor Unit & Rooftop Duct Furnace)		
H = High Efficiency Propeller Fan U.H.	Digit 14 — Rooftop Fan Section		
E = Centrifugal Fan U.H. with Enclosure	0 = None (Indoor Unit & Rooftop Duct Furnace)		
S = Special	S = Special		
Digit 3 — Fuel	Digit 15 — Miscellaneous Options		
N = Natural Gas	All Units		
P = LP Gas (Propane)	0 = None		
S = Special	A = #409 Stainless Steel Burners (see note 2)		
Digit 4 — Design Sequence	B = Orifices for Elevation Above 2000 Feet		
F = Sixth Generation etc	(Specify Elevation)		
Digit 5,6,7 — Input Capacity	S = Special		
Single Furnace	Propeller Fan Unit Heater (Std.,Hi-Effic.&Sep.Comb.)		
003 = 30 MBh	C = #409 Stainless Steel Draft Diverter		
004 = 45 MBh	D = Summer-Winter Switch		
005 = 50 MBh	E = Vertical Louvers		
006 = 60 MBh	J = Totally Enclosed Motor		
007 = 75 MBh	7 = OSHA Fan Guard		
010 = 100 MBh	Centrifugal Fan Unit Heater (Std.,Hi-Effic.&Sep.Comb.)		
012 = 125 MBh	C = #409 Stainless Steel Draft Diverter		
015 = 150 MBh	D = Summer-Winter Switch		
Digit 8 — Main Power Supply	E = Vertical Louvers		
A = 115/60/1	H = Duct Discharge Flange		
B = 230/60/1	J = Totally Enclosed Motor		
C = 208/60/3	Duct Furnace (Indoor)(Std. or Hi-Eff.)		
D = 230/60/3	C = #409 Stainless Steel Draft Diverter		
E = 460/60/3	D = Summer-Winter Switch		
F = 575/60/3	F = Horizontal Louvers		
S = Special	G = Horizontal & Vert. Louvers		
Digit 9 — Gas Control Option	K = Side Access Burner Drawer (Left Hand) *		
A = Single-Stage, Standing Pilot	L = Fan Time Delay Control		
B = Two Stage, Standing Pilot	M = Side Access Burner Drawer (Right Hand) *		
C = Hydraulic Modulating, Standing Pilot *	Separated Combustion Indoor Duct Furnace		
D = Single-Stage, Intermittent Pilot Ignition	C = #409 Stainless Steel Draft Diverter		
E = Two-Stage, Intermittent Pilot Ignition	D = Summer-Winter Switch		
F = Hydraulic Modulating, Inter. Pilot, 60-100 Deg.*	F = Horizontal Louvers		
G = Hydraulic Mod.w/Bypass, Inter. Pilot 60-100 Deg.	G = Horizontal & Vertical Louvers		
H = Elec. Mod. W/Room Stat, Intermittent Pilot Ign.	Tubular Heat Exchanger, Propeller Type		
J = Elec. Mod. W/Duct Stat, Intermittent Pilot Ign.	J = Totally Enclosed Motor		
L = Elec. Mod. W/External 4-20 mA Input	7 = OSHA Fan Guard		
N = Elec. Mod. W/External 0-10 VDC Input			
P = Hydraulic Mod., Intermittent Pilot 75-150 Deg.			
R = Hydraulic Mod.w/Bypass, Inter.Pilot 75-150 Deg.			
S = Special			
*Specify discharge temperature			
Digit 10 — Design Sequence	Notes:		
D = Forth Design	1. Available on the tubular sizes 100-40 only.		
Digit 11 — Heat Exchanger Material	2. Not available for tubular.		
1 = Aluminized Steel	*Opt.M & K are determined by facing the air outlet side of the duct furnace.		
2 = #409 Stainless Steel (see note 1)			
3 = #321 Stainless Steel (see note 2)			
S = Special			

