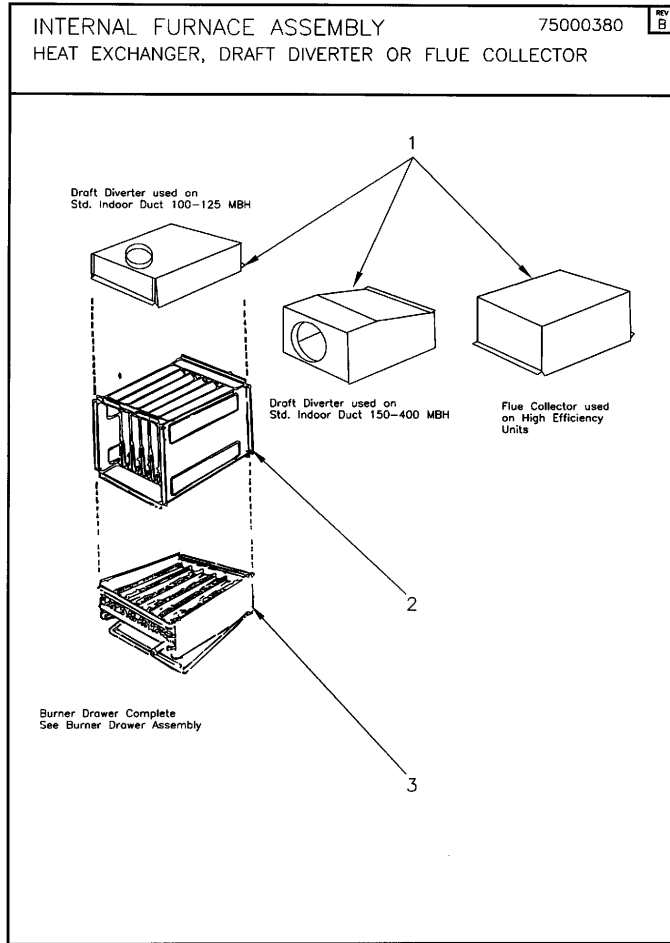


Part No.	Reference No.	Quantity	Description
75000380	SEC 01		HEAT EXCHANGER OR DRAFT DIVERTER
75000381	SEC 02		FURNACE ASSEMBLY, SIDE VIEW
75000382	SEC 03		BURNER DRAWER ASSEMBLY
75000383	SEC 04		BURNER & MANIFOLD ASSEMBLY
75000384	SEC 05		BURNER COMPONENTS
75000243	SEC 07		PILOT BURNER ASSEMBLY, HONEYWELL
75000242	SEC 07		PILOT BURNER ASSEMBLY, HONEYWELL
75000244	SEC 07		PILOT BURNER ASSEMBLY, JOHNSON
75000245	SEC 07		PILOT BURNER ASSEMBLY, JOHNSON
GDND2002	SEC 08		GAS VALVE, NATURAL
75000385	SEC 10		IGNITION CONTROLS
75000386	SEC 11		GENERAL ASSEMBLY, TOP VIEW
75000387	SEC 12		GENERAL ASSEMBLY, SIDE VIEW
75000388	SEC 13		POWER VENT ASSEMBLY
75000373	SEC 14		TIME DELAY RELAY
75000248	SEC 15		SUMMER/WINTER SWITCH
GDND2016	SEC 16		CANADIAN / STANDARD VENT CAP & ADAPTER
75000093	SEC 17		MODEL NUMBER DESCRIPTION

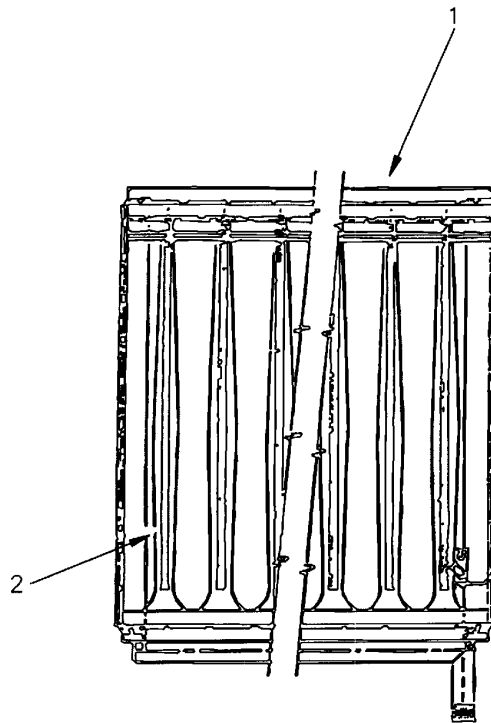


Part No.	Reference No.	Quantity	Description
FLU00094	1	1	FLUE;COLLECTOR - 409 STAINLESS STEEL 350 HORZ PBE&DE
EXC01537	2	1	EXCHANGER; HEAT 321SS
75000382	3		BURNER DRAWER ASSEMBLY

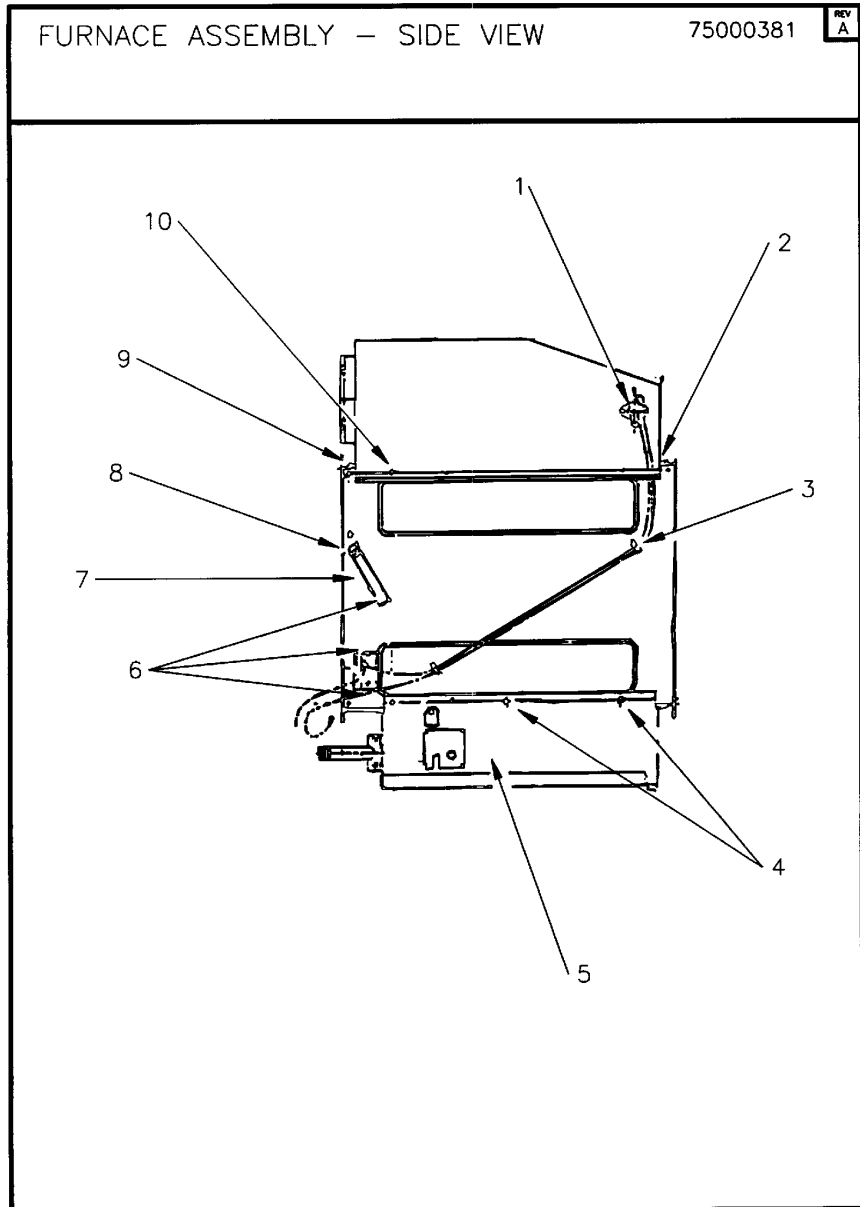
BURNER DRAWER ASSEMBLY

75000382

REV
A



Part No.	Reference No.	Quantity	Description
CAS00233	1	1	CASING;(BURNER DRAWER), LESS BURNERS
SHT00034	2	28	SHUTTER; AIR

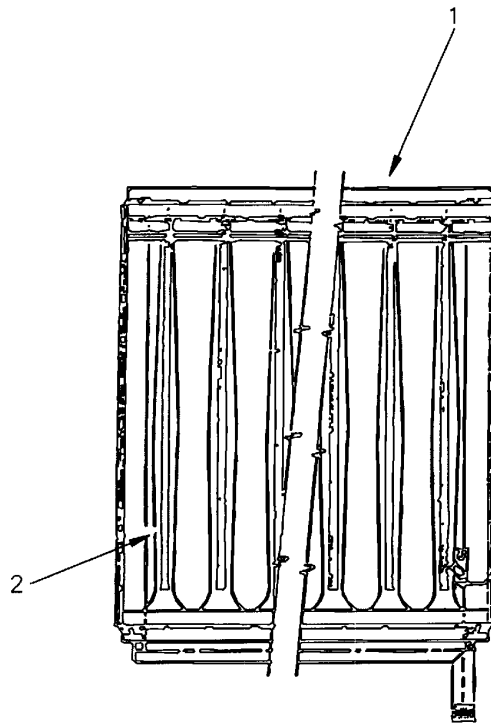


Part No.	Reference No.	Quantity	Description
SWT01433	1	1	SWITCH; BLOCKED-VENT, 250 DEG. OPEN, 2 WIRE, FOR 75 MBH UNITS
SCR00769	2	1	SCREW; #8, PHILIPS PAN HEAD,1/2 IN. LG.
SCR00769	3	1	SCREW; #8, PHILIPS PAN HEAD,1/2 IN. LG.
SCR01379	4	1	SCREW;SELF-TAPPING, #10-1/2
75000382	5		BURNER DRAWER ASSEMBLY
SCR01379	6	1	SCREW;SELF-TAPPING, #10-1/2
BAF00268	7	1	BAFFLE; HEAT EXCHANGER AIR
SCR00769	8	1	SCREW; #8, PHILIPS PAN HEAD,1/2 IN. LG.
SCR00769	9	1	SCREW; #8, PHILIPS PAN HEAD,1/2 IN. LG.
SCR01379	10	1	SCREW;SELF-TAPPING, #10-1/2

BURNER DRAWER ASSEMBLY

75000382

REV
A

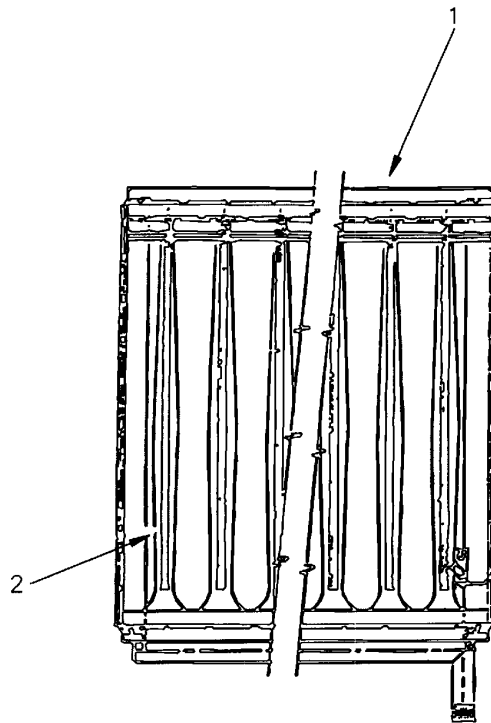


Part No.	Reference No.	Quantity	Description
CAS00233	1	1	CASING;(BURNER DRAWER), LESS BURNERS
SHT00034	2	28	SHUTTER; AIR

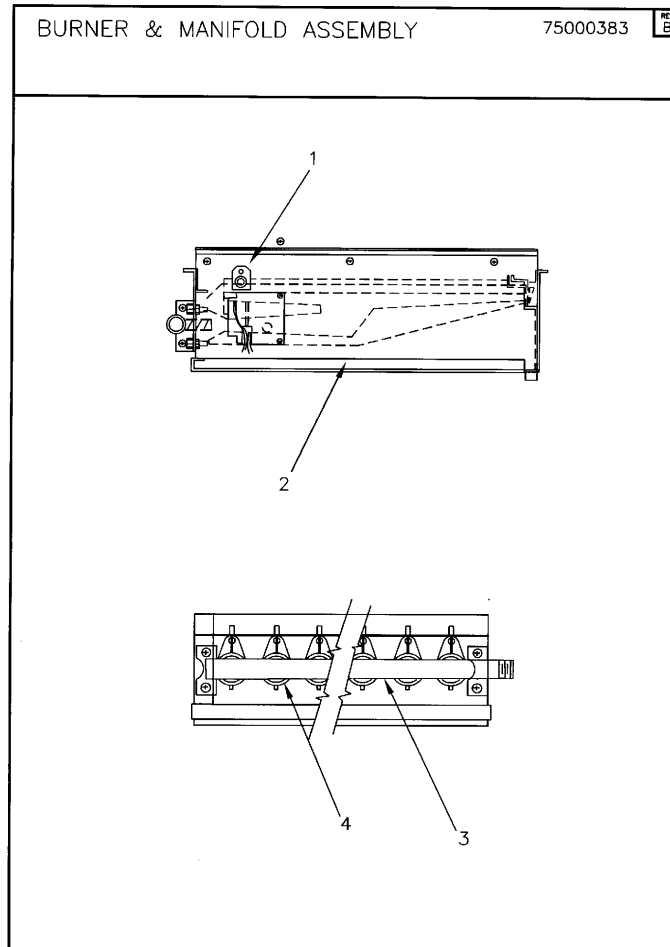
BURNER DRAWER ASSEMBLY

75000382

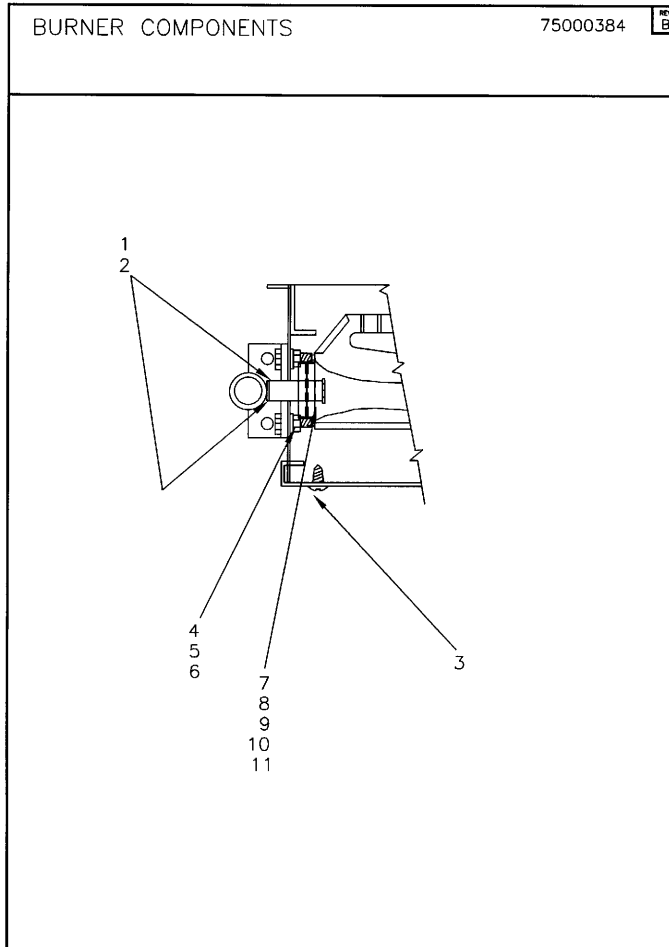
REV
A



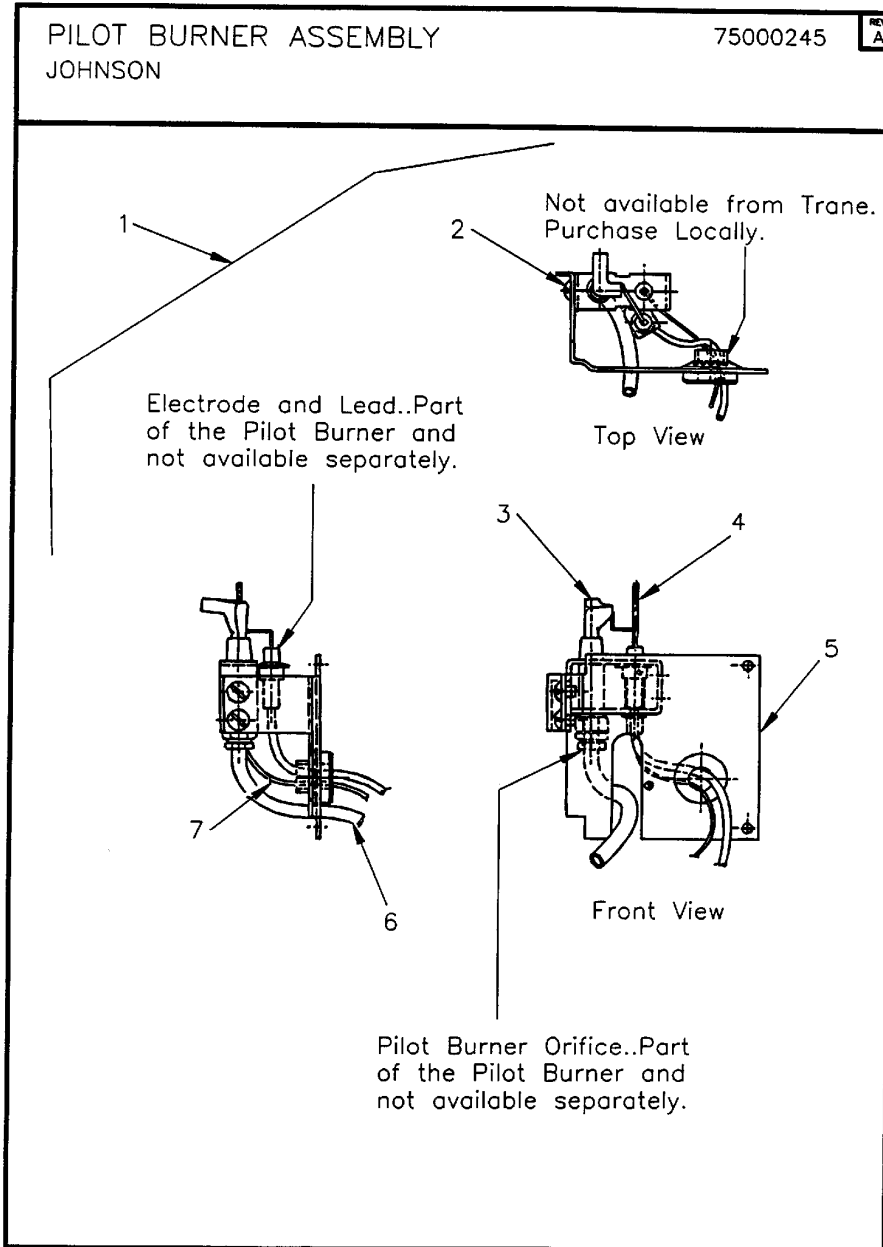
Part No.	Reference No.	Quantity	Description
CAS00233	1	1	CASING;(BURNER DRAWER), LESS BURNERS
SHT00034	2	28	SHUTTER; AIR

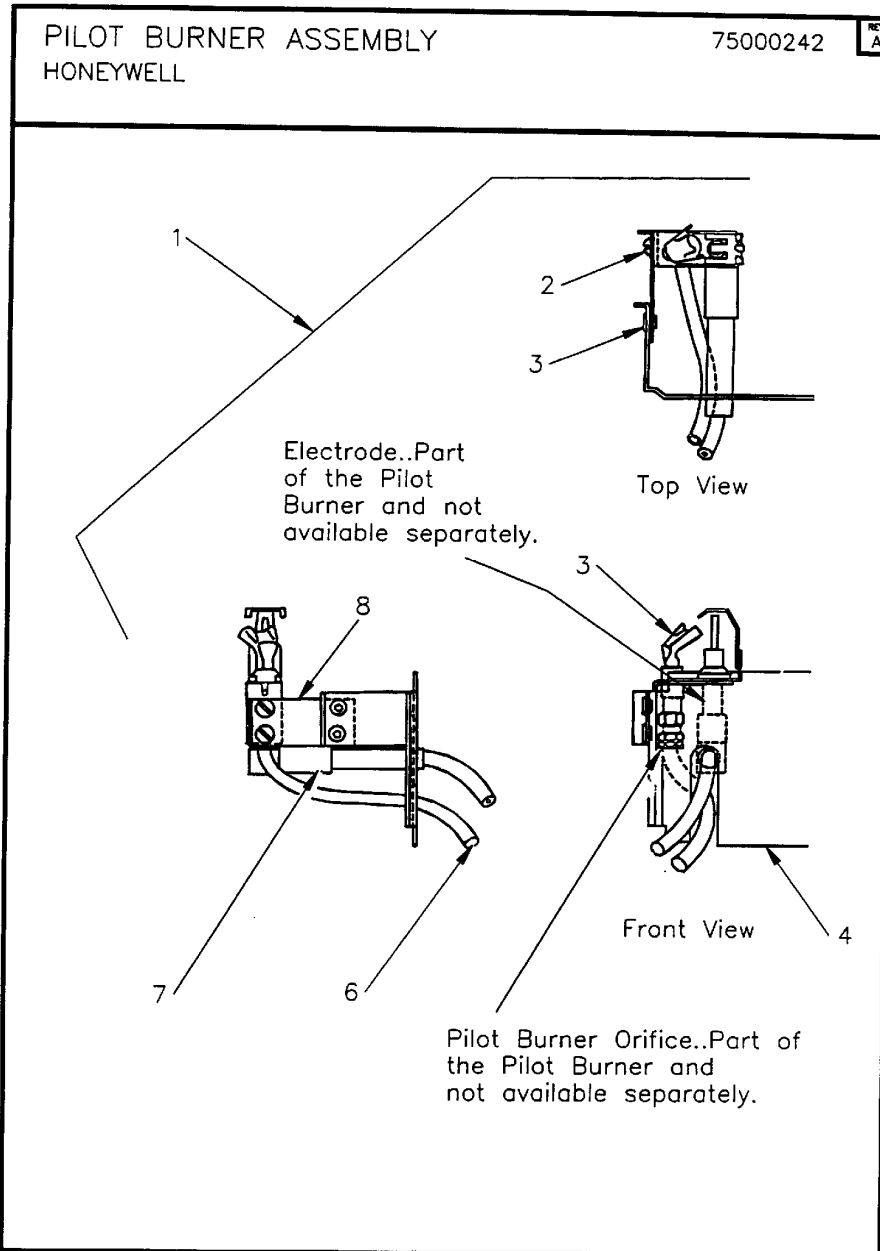


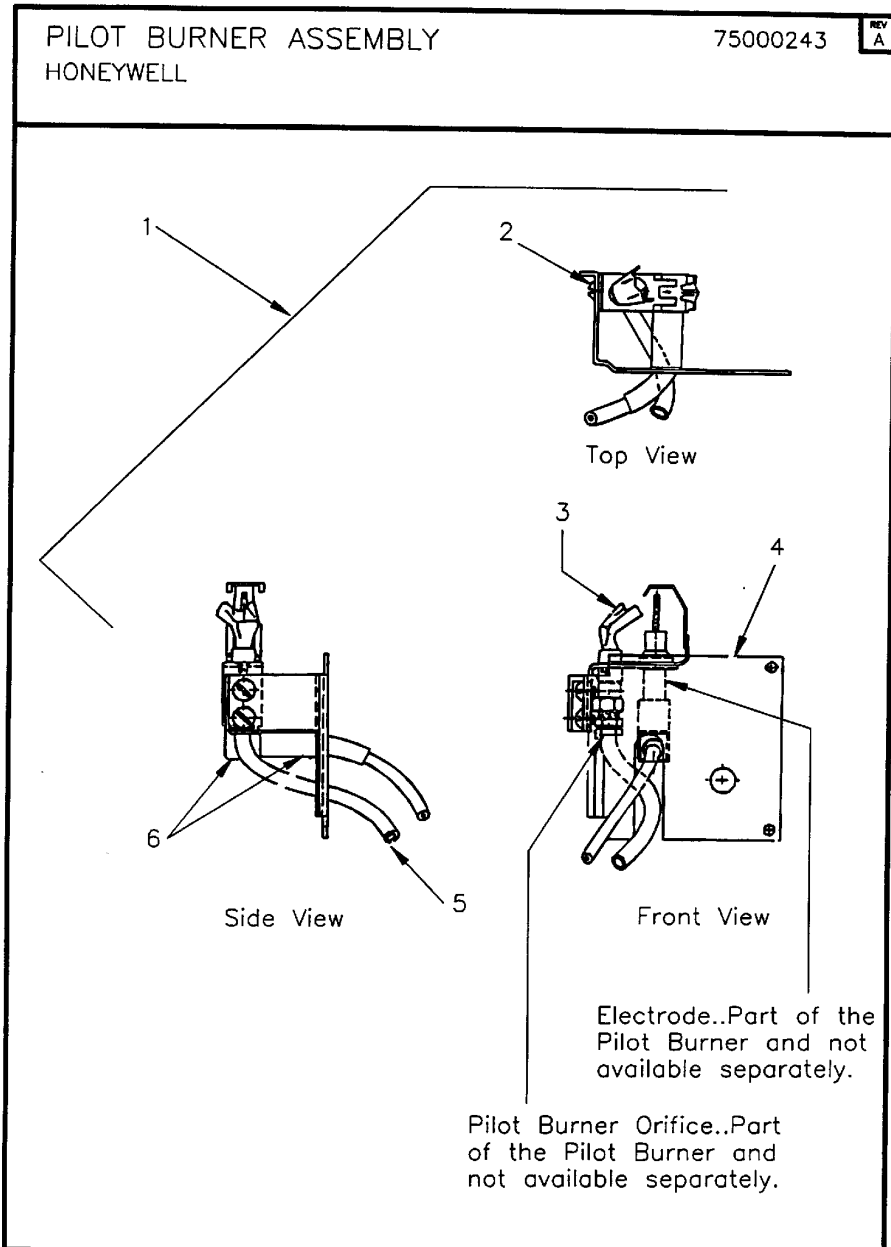
Part No.	Reference No.	Quantity	Description
COV01808	1	1	COVER;PEEP HOLE
PNN00701	2	1	PANEL; BOTTOM SERVICE
MFD00314	3	1	MANIFOLD;ASSEMBLY (INCLUDES 2 BRACKETS AND END PLUG)
BNR00596	4	14	BURNER;MAIN, ALUMINUM, SINGLE BURNER



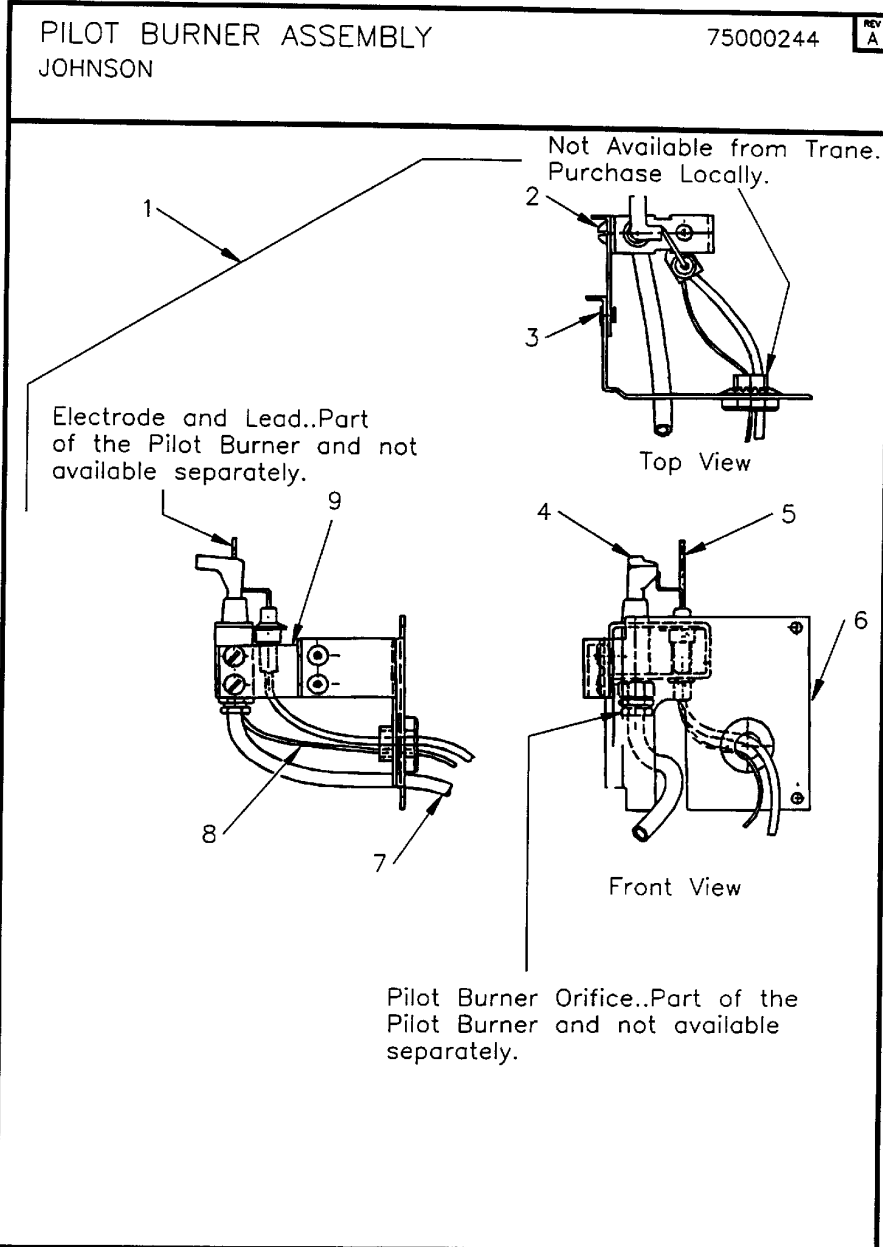
Part No.	Reference No.	Quantity	Description
SPG00249	1	14	SPRING;BURNER, ORDER QTY.SHOULD BE PCS
HLD00116	2	14	HOLDER; ORIFICE
SCR00964	3	5	SCREW; #8, 1/2 IN. LG. SELF TAPPING
BLT00183	4	4	BOLT; HEX HEAD
NUT00518	5	4	NUT; HEX HEAD
WAS00671	6	4	WASHER; LOCK, 5/16 NOMINAL SIZE, .321 ID, .586 OD
ORF00615	7	14	ORIFICE; MAIN BURNER, DRILL SIZE #41



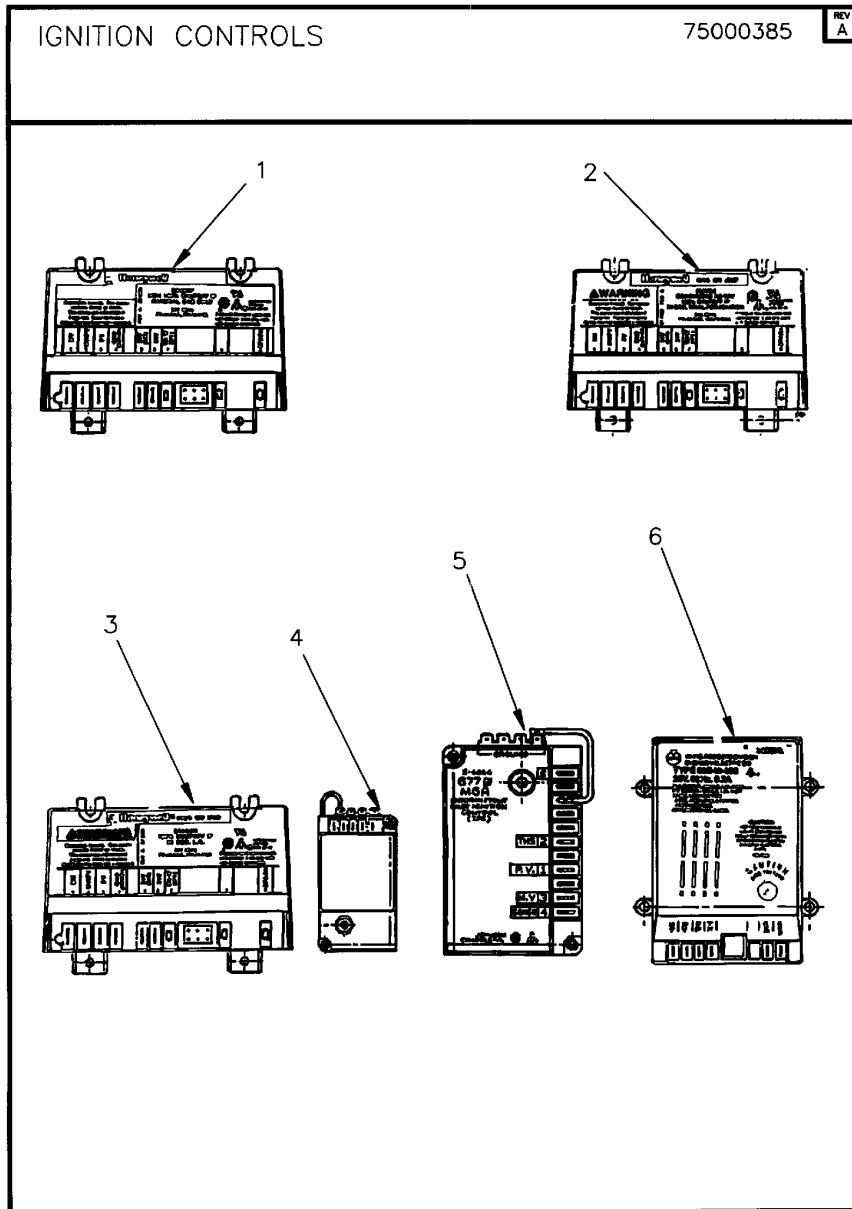




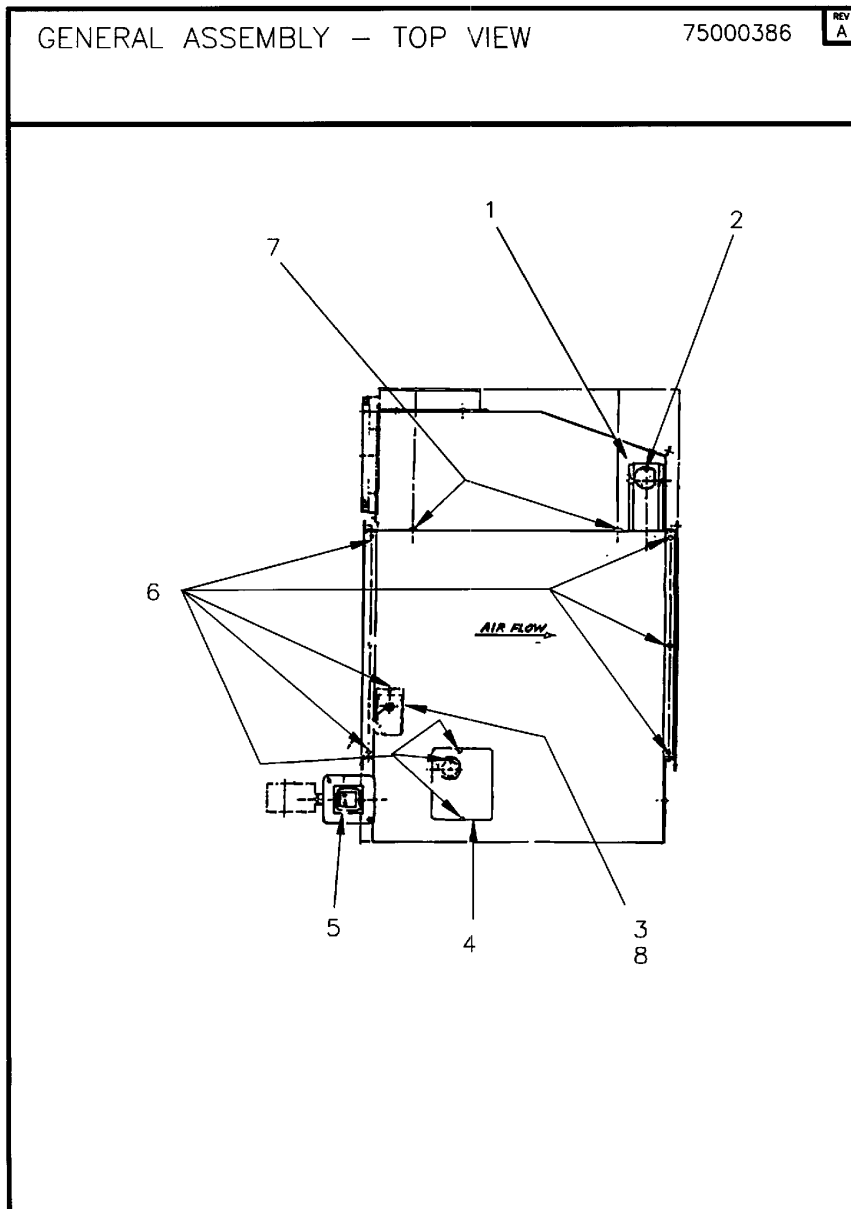
Part No.	Reference No.	Quantity	Description
PIT00084	1	1	PILOT; NATURAL GAS, BURNER ASSEMBLY, R.H. INTERMITTENT, 150/400, HONEYWELL, WITH BRACKET AND TUBING
PIT00228	1	1	PILOT; NATURAL GAS ASSEMBLY, L.H. SPARK IGN. 150/400
PIT00068	3	1	PILOT; NATURAL GAS, BURNER, R.H. ELECTRIC IGNITION
PIT00224	3	1	PILOT; BURNER L.H., ELECTRIC IGNITION, NAT. GAS



Part No.	Reference No.	Quantity	Description
BLK00580	1	1	BLOCK; MAIN CONNECTION TERMINAL, 24VAC, 50/60 HZ W/MOUNTING
CNT00905	1	1	CONTROL, AMPLIFIER
CNT01078	1	1	CONTROL, AMPLIFIER, MAXITROL SYSTEM
RLY01873	1	1	RELAY; INTERLOCK, 10A AT 125 VAC, DPDT, 24VAC COIL
SEN00078	1	1	SENSOR; DISCHARGE AIR 55-90
VAL02116	1	1	VALVE;GAS, NAT., 250 BTUH, 24V, CONN. .75 X .75
VAL02178	1	1	VALVE; MODULATING & REGULATING (NOT THE GAS VALVE)MAXITROL SYSTEM MR VALVE 610 3/4 IN NG
VAL03935	1	1	VALVE;GAS, NATURAL, SPARK IGNITION, 1 STAGE 3/4 X 3/4



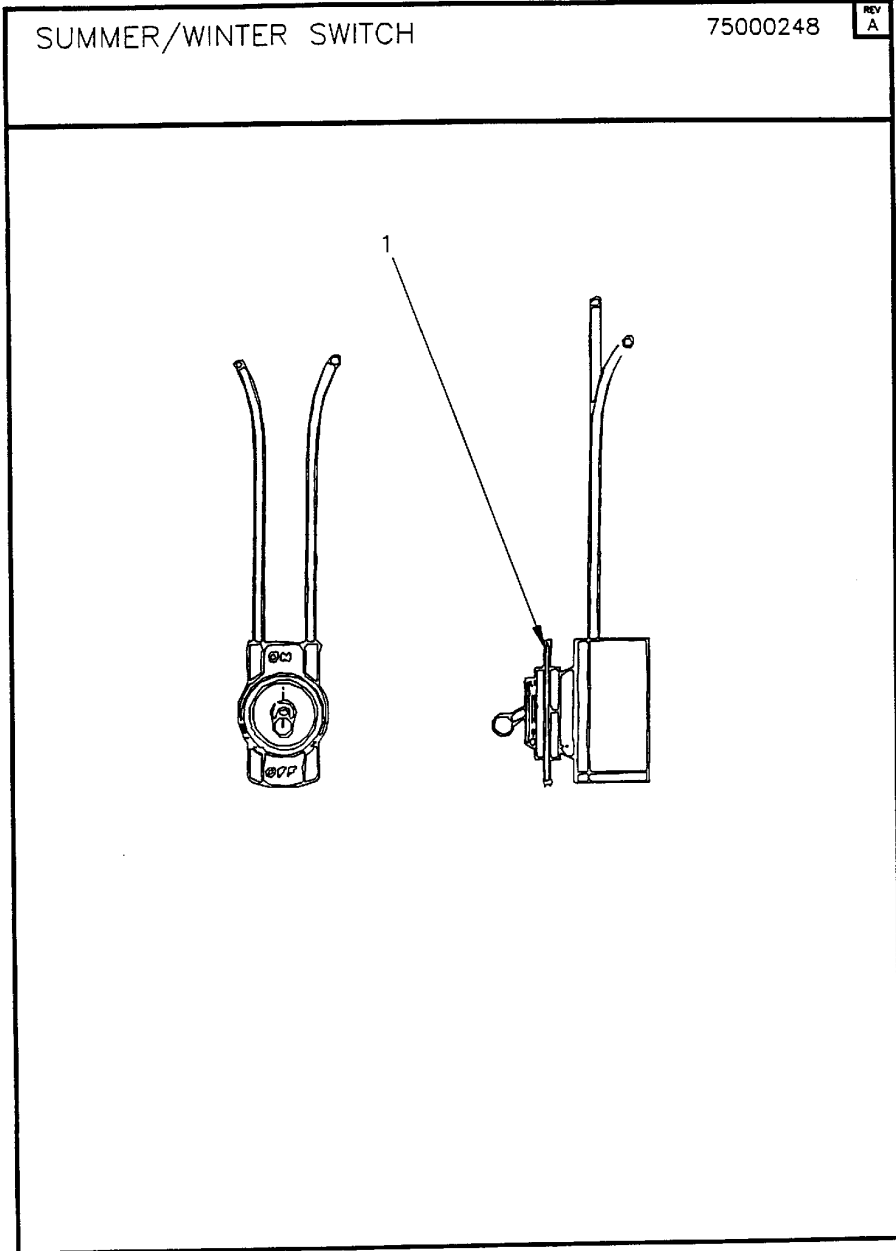
Part No.	Reference No.	Quantity	Description
CNT01318	1	1	CONTROL, IGNITION NATURAL GAS(HONEYWELL)
CNT01466	2	1	CONTROL; IGNITOR, CONTINUOUS RETRY 100 PERCENT SHUTOFF IP
CNT01241	3	1	CONTROL, IGNITION MODULE 90 SEC. MAX. LOCKOUT
CNT01012	4	1	CONTROL; SPARK IGNITION
CNT01190	5	1	CONTROL, IGNITION, W/LOCKOUT
CNT01467	6	1	CONTROL; IGNITOR



Part No.	Reference No.	Quantity	Description
COV01810	1	1	COVER;BLOCKED VENT SWITCH
SCR00964	2	1	SCREW; #8, 1/2 IN. LG. SELF TAPPING
SWT01429	3	1	SWITCH, PRIMARY HIGH LIMIT, HL1, ON THE INLET, 3 PRONG
SWT01430	3	1	SWITCH; HIGH LIMIT (DUCT ONLY), 2 PRONG
DOR00396	4	1	DOOR; PILOT SIDE ACCESS
SCR00964	6	9	SCREW; #8, 1/2 IN. LG. SELF TAPPING
RTR00096	7	2	RETAINER, NUT
DOR00735	8	1	DOOR;HIGH LIMIT ACCESS

Part No.	Reference No.	Quantity	Description
PNN03643	1	1	PANEL;OUTSIDE JACKET LH OR RH
PNN03653	2	1	PANEL;LOWER FRONT TRIM 350
PNN03644	3	1	PANEL; OUTSIDE JACKET, WITH CUTOUTS FOR PILOT RELAY ETC... RH

Part No.	Reference No.	Quantity	Description
SCR00769	1	2	SCREW; #8, PHILIPS PAN HEAD,1/2 IN. LG.
BRK00947	2	1	BRACKET; PRESSURE SWITCH MOUNTING
SCR00769	3	1	SCREW; #8, PHILIPS PAN HEAD,1/2 IN. LG.
SWT00645	4	1	SWITCH;CONTROL, PRESSURE, .30 IN WC
FLU00075	5	1	FLUE; VENT
SCR00769	6	1	SCREW; #8, PHILIPS PAN HEAD,1/2 IN. LG.
HUS01380	7	1	HOUSING;POWER VENT BLOWER
WHL00509	8	1	WHEEL; DRAFTOR
PLT01122	9	1	PLATE; ADAPTER FOR POWER VENT ASSEMBLY
SCR00769	10	5	SCREW; #8, PHILIPS PAN HEAD,1/2 IN. LG.
RLY00978	11	1	RELAY; POWER CONTROL, 24V COIL, DPST, 12 AMP AT 125V
BRK00948	12	1	BRACKET;JUNCTION BOX MOUNTING
MOT02690	13	1	MOTOR, POWER VENT(INDUCER), 1/20 HP, 115/60, 1.5 AMPS, 2 POLE,
COV01241	14	1	COVER; PRESSURE SWITCH BRACKET



Parts List Number :GDNDUP2

Model Number :GLND035DJG30000

Part No.	Reference No.	Quantity	Description
ADP00490	*	1	ADAPTER;
CAP00550	*	1	CAP; VENT 6 INCH

MODEL NUMBER DESCRIPTION		75000093	REV F
Indoor Gas Heating Units			
Digit 1 — Gas Heating Equipment	Digit 12 — Rooftop Arrangements		
Digit 2 — Unit Type	0 = None (Indoor Unit)		
P = Propeller Fan Unit Heater	S = Special		
B = High Efficiency Centrifugal Fan Unit Heater	Digit 13 — Rooftop Heating Unit		
C = Centrifugal Fan Unit Heater	Motor Selection		
D = Indoor Duct Furnace	S = Special		
L = High Eff. Indoor Duct Furnace	0 = None (Indoor Unit & Rooftop Duct Furnace)		
H = High Efficiency Propeller Fan U.H.	Digit 14 — Rooftop Fan Section		
E = Centrifugal Fan U.H. with Enclosure	0 = None (Indoor Unit & Rooftop Duct Furnace)		
S = Special	S = Special		
Digit 3 — Fuel	Digit 15 — Miscellaneous Options		
N = Natural Gas	All Units		
P = LP Gas (Propane)	0 = None		
S = Special	A = #409 Stainless Steel Burners (see note 2)		
Digit 4 — Design Sequence	B = Orifices for Elevation Above 2000 Feet		
F = Sixth Generation etc	(Specify Elevation)		
Digit 5,6,7 — Input Capacity	S = Special		
Single Furnace	Propeller Fan Unit Heater (Std.,Hi-Effic.&Sep.Comb.)		
003 = 30 MBh	C = #409 Stainless Steel Draft Diverter		
004 = 45 MBh	D = Summer-Winter Switch		
005 = 50 MBh	E = Vertical Louvers		
006 = 60 MBh	J = Totally Enclosed Motor		
007 = 75 MBh	7 = OSHA Fan Guard		
010 = 100 MBh	017 = 175 MBh		
012 = 125 MBh	020 = 200 MBh		
015 = 150 MBh	022 = 225 MBh		
	025 = 250 MBh		
	030 = 300 MBh		
	035 = 350 MBh		
	040 = 400 MBh		
Digit 8 — Main Power Supply	Centrifugal Fan Unit Heater (Std.,Hi-Effic.&Sep.Comb.)		
A = 115/60/1	C = #409 Stainless Steel Draft Diverter		
B = 230/60/1	D = Summer-Winter Switch		
C = 208/60/3	E = Vertical Louvers		
D = 230/60/3	H = Duct Discharge Flange		
E = 460/60/3	J = Totally Enclosed Motor		
F = 575/60/3	Duct Furnace (Indoor)(Std. or Hi-Eff.)		
S = Special	C = #409 Stainless Steel Draft Diverter		
Digit 9 — Gas Control Option	D = Summer-Winter Switch		
A = Single-Stage, Standing Pilot	F = Horizontal Louvers		
B = Two Stage, Standing Pilot	G = Horizontal & Vert. Louvers		
C = Hydraulic Modulating, Standing Pilot *	K = Side Access Burner Drawer (Left Hand) *		
D = Single-Stage, Intermittent Pilot Ignition	L = Fan Time Delay Control		
E = Two-Stage, Intermittent Pilot Ignition	M = Side Access Burner Drawer (Right Hand) *		
F = Hydraulic Modulating, Inter. Pilot, 60-100 Deg.*	Separated Combustion Indoor Duct Furnace		
G = Hydraulic Mod.w/Bypass, Inter. Pilot 60-100 Deg.	C = #409 Stainless Steel Draft Diverter		
H = Elec. Mod. W/Room Stat, Intermittent Pilot Ign.	D = Summer-Winter Switch		
J = Elec. Mod. W/Duct Stat, Intermittent Pilot Ign.	F = Horizontal Louvers		
L = Elec. Mod. W/External 4-20 mA Input	G = Horizontal & Vertical Louvers		
N = Elec. Mod. W/External 0-10 VDC Input	Tubular Heat Exchanger, Propeller Type		
P = Hydraulic Mod., Intermittent Pilot 75-150 Deg.	J = Totally Enclosed Motor		
R = Hydraulic Mod.w/Bypass, Inter.Pilot 75-150 Deg.	7 = OSHA Fan Guard		
S = Special			
*Specify discharge temperature			
Digit 10 — Design Sequence	Notes:		
D = Forth Design	1. Available on the tubular sizes 100-40 only.		
Digit 11 — Heat Exchanger Material	2. Not available for tubular.		
1 = Aluminized Steel	*Opt.M & K are determined by facing the air outlet side of the duct furnace.		
2 = #409 Stainless Steel (see note 1)			
3 = #321 Stainless Steel (see note 2)			
S = Special			

