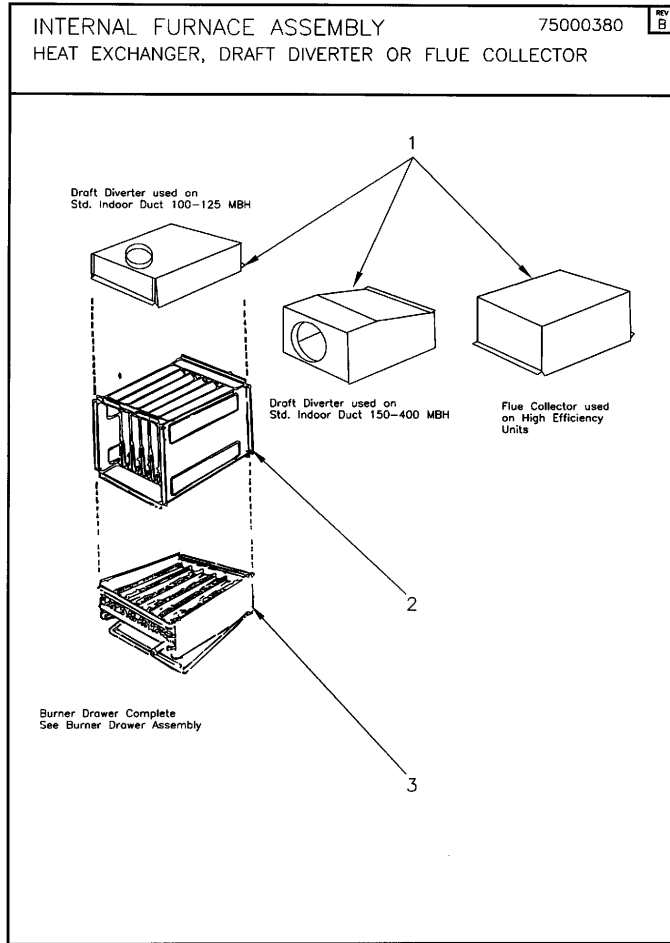


<b>Part No.</b>	<b>Reference No.</b>	<b>Quantity</b>	<b>Description</b>
75000380	SEC 01		HEAT EXCHANGER OR DRAFT DIVERTER
75000381	SEC 02		FURNACE ASSEMBLY, SIDE VIEW
75000382	SEC 03		BURNER DRAWER ASSEMBLY
75000383	SEC 04		BURNER & MANIFOLD ASSEMBLY
75000384	SEC 05		BURNER COMPONENTS
75000243	SEC 07		PILOT BURNER ASSEMBLY, HONEYWELL
75000242	SEC 07		PILOT BURNER ASSEMBLY, HONEYWELL
75000244	SEC 07		PILOT BURNER ASSEMBLY, JOHNSON
75000245	SEC 07		PILOT BURNER ASSEMBLY, JOHNSON
GDND2002	SEC 08		GAS VALVE, NATURAL
75000385	SEC 10		IGNITION CONTROLS
75000386	SEC 11		GENERAL ASSEMBLY, TOP VIEW
75000387	SEC 12		GENERAL ASSEMBLY, SIDE VIEW
75000388	SEC 13		POWER VENT ASSEMBLY
75000373	SEC 14		TIME DELAY RELAY
75000248	SEC 15		SUMMER/WINTER SWITCH
GDND2016	SEC 16		CANADIAN / STANDARD VENT CAP & ADAPTER
75000093	SEC 17		MODEL NUMBER DESCRIPTION

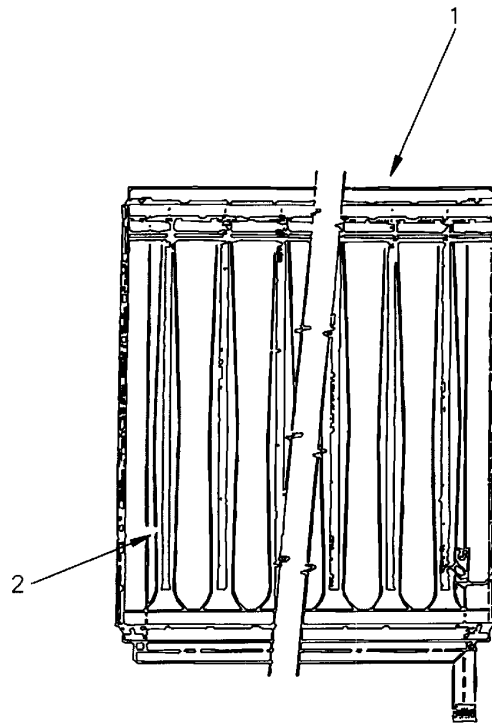


<b>Part No.</b>	<b>Reference No.</b>	<b>Quantity</b>	<b>Description</b>
FLU00093	1	1	FLUE;COLLECTOR - 409 STAINLESS STEEL 300 HORZ PBE&DE
EXC01536	2	1	EXCHANGER; HEAT 321SS
75000382	3		BURNER DRAWER ASSEMBLY

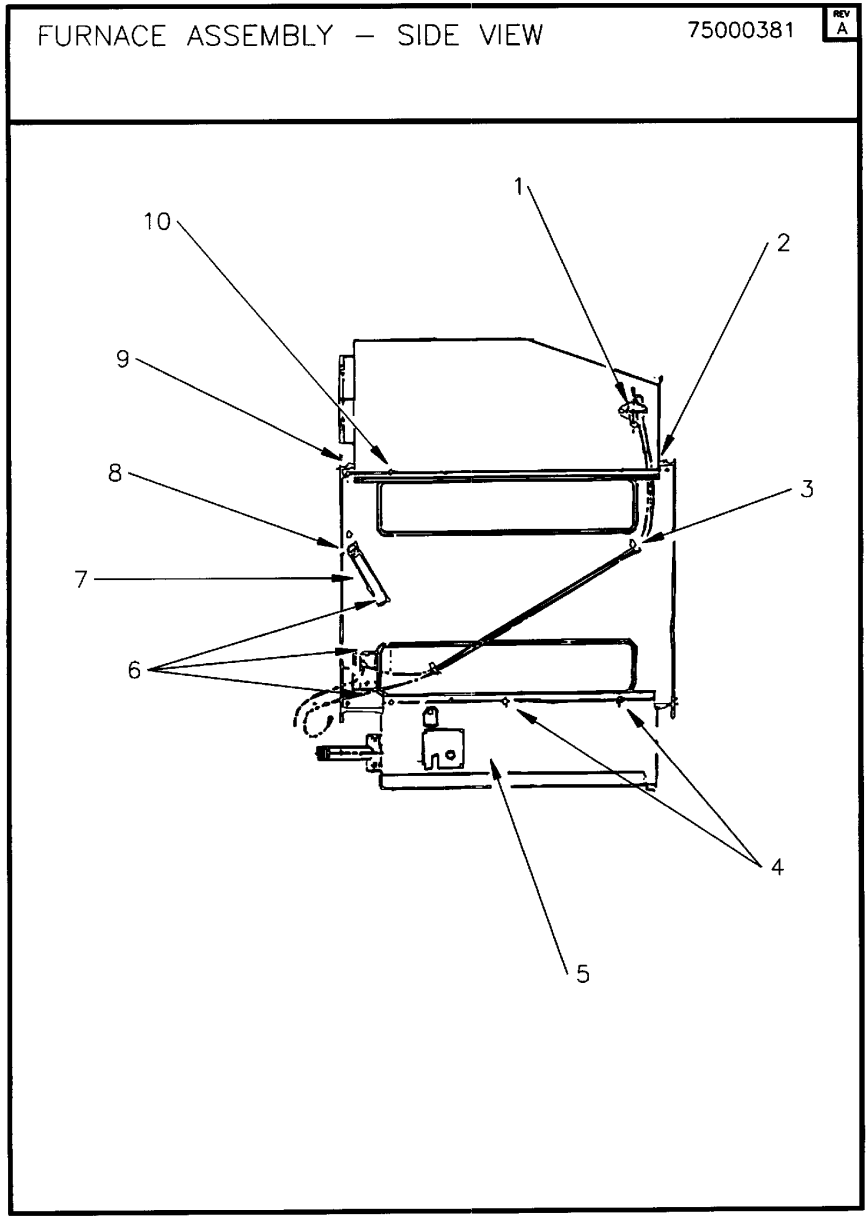
BURNER DRAWER ASSEMBLY

75000382

REV  
A



<b>Part No.</b>	<b>Reference No.</b>	<b>Quantity</b>	<b>Description</b>
CAS00232	1	1	CASING;(BURNER DRAWER), LESS BURNERS
SHT00034	2	24	SHUTTER; AIR

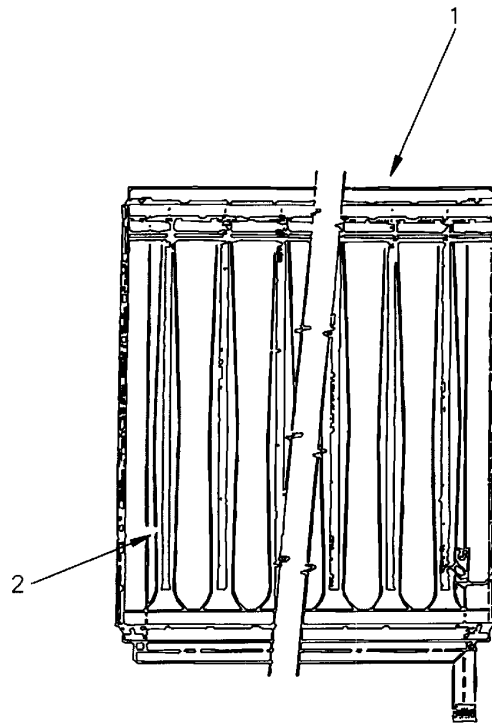


Part No.	Reference No.	Quantity	Description
SWT01433	1	1	SWITCH; BLOCKED-VENT, 250 DEG. OPEN, 2 WIRE, FOR 75 MBH UNITS
SCR00769	2	1	SCREW; #8, PHILIPS PAN HEAD,1/2 IN. LG.
SCR00769	3	1	SCREW; #8, PHILIPS PAN HEAD,1/2 IN. LG.
SCR01379	4	1	SCREW;SELF-TAPPING, #10-1/2
75000382	5		BURNER DRAWER ASSEMBLY
SCR01379	6	1	SCREW;SELF-TAPPING, #10-1/2
BAF00267	7	1	BAFFLE; HEAT EXCHANGER AIR
SCR00769	8	1	SCREW; #8, PHILIPS PAN HEAD,1/2 IN. LG.
SCR00769	9	1	SCREW; #8, PHILIPS PAN HEAD,1/2 IN. LG.
SCR01379	10	1	SCREW;SELF-TAPPING, #10-1/2

BURNER DRAWER ASSEMBLY

75000382

REV  
A

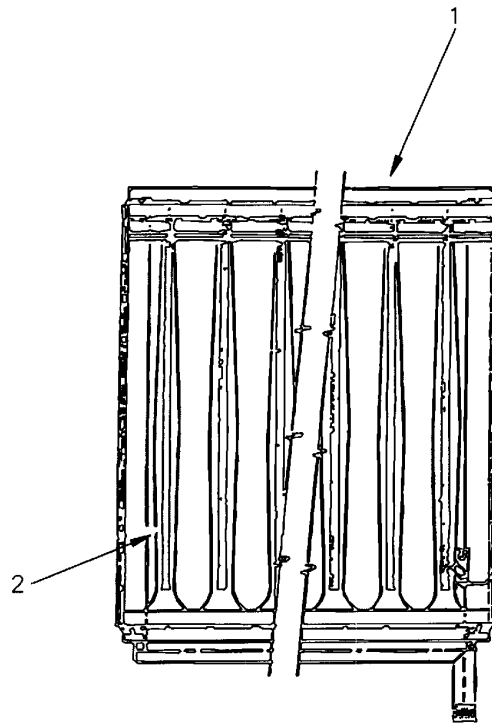


<b>Part No.</b>	<b>Reference No.</b>	<b>Quantity</b>	<b>Description</b>
CAS00232	1	1	CASING;(BURNER DRAWER), LESS BURNERS
SHT00034	2	24	SHUTTER; AIR

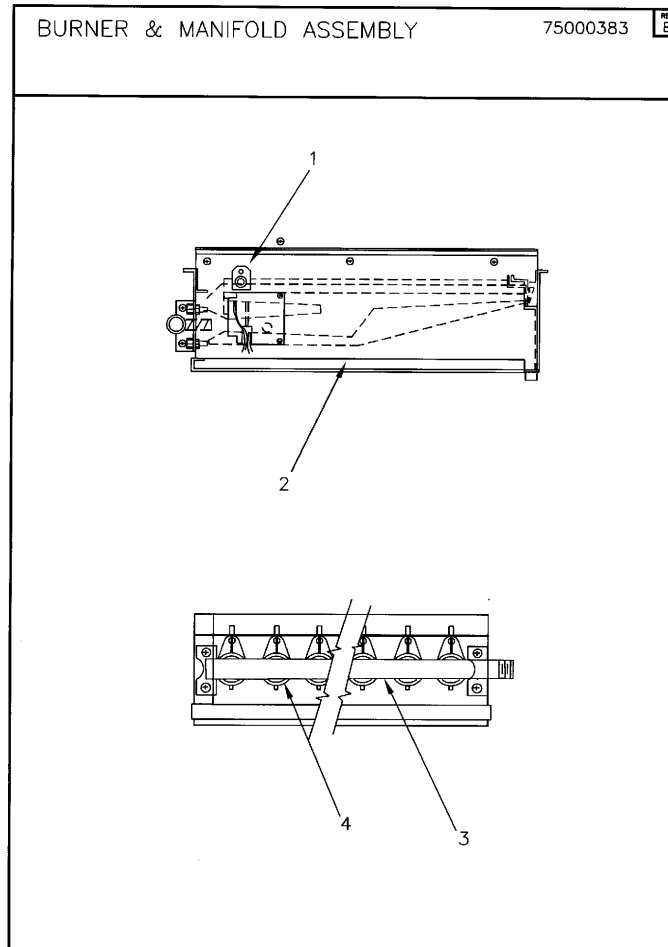
BURNER DRAWER ASSEMBLY

75000382

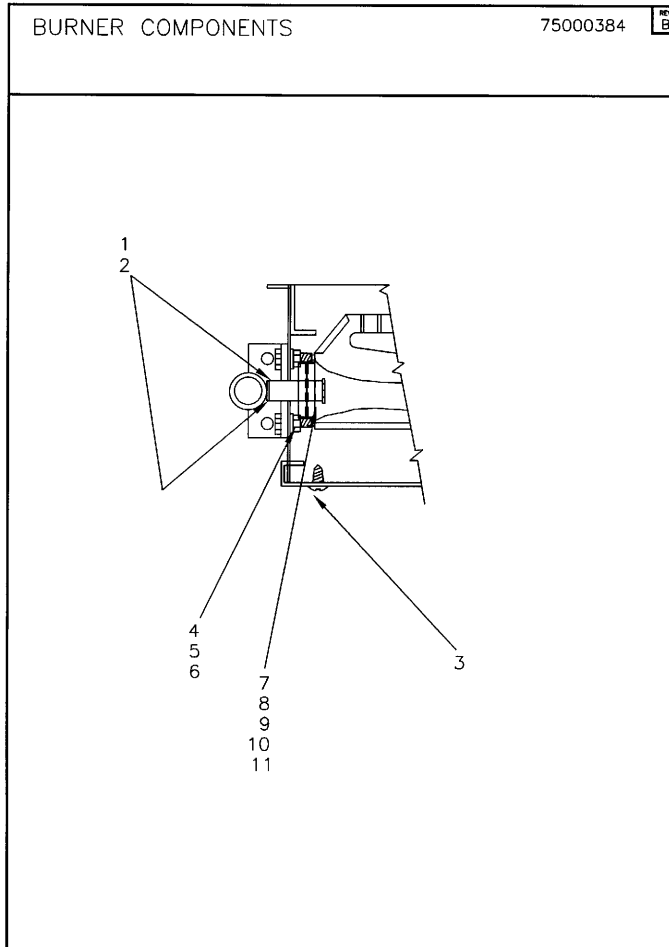
REV  
A



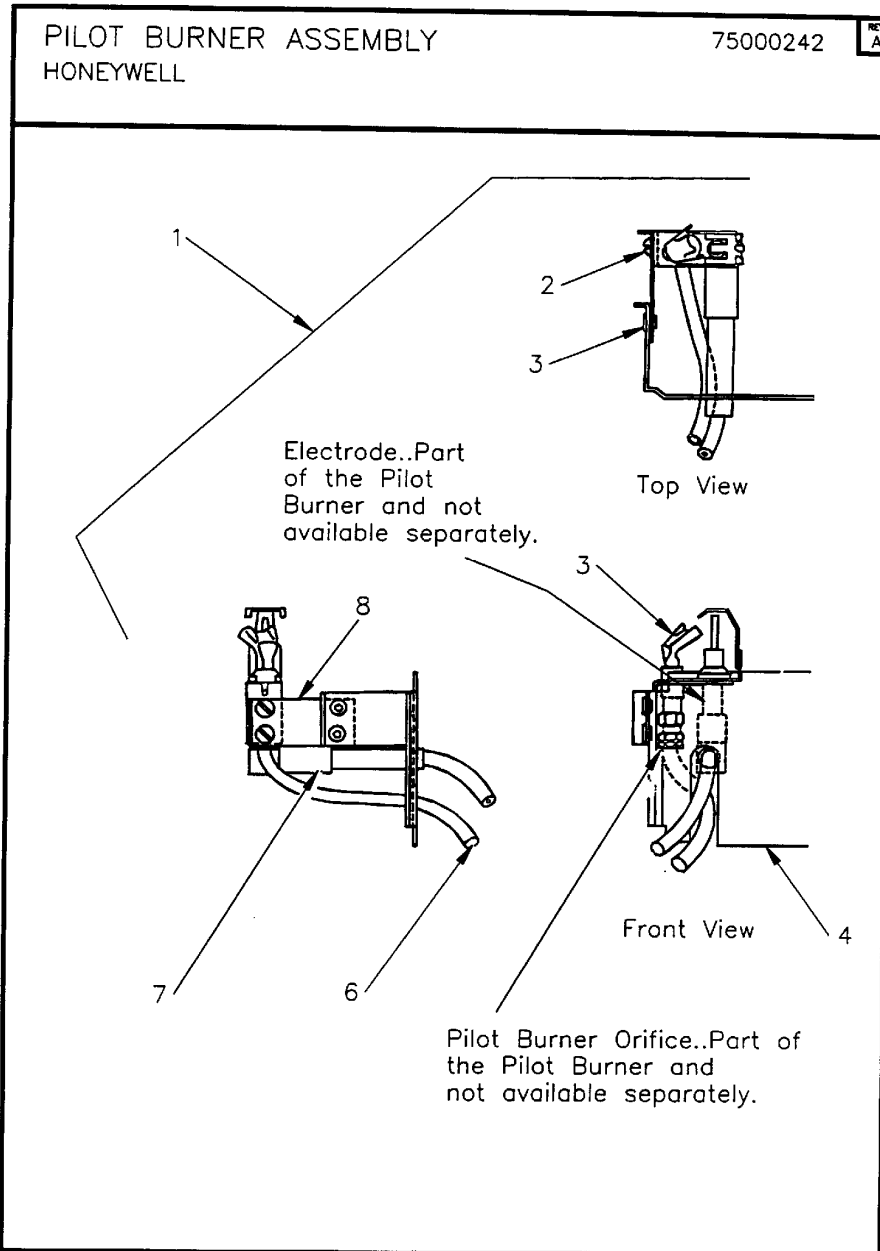
<b>Part No.</b>	<b>Reference No.</b>	<b>Quantity</b>	<b>Description</b>
CAS00232	1	1	CASING;(BURNER DRAWER), LESS BURNERS
SHT00034	2	24	SHUTTER; AIR

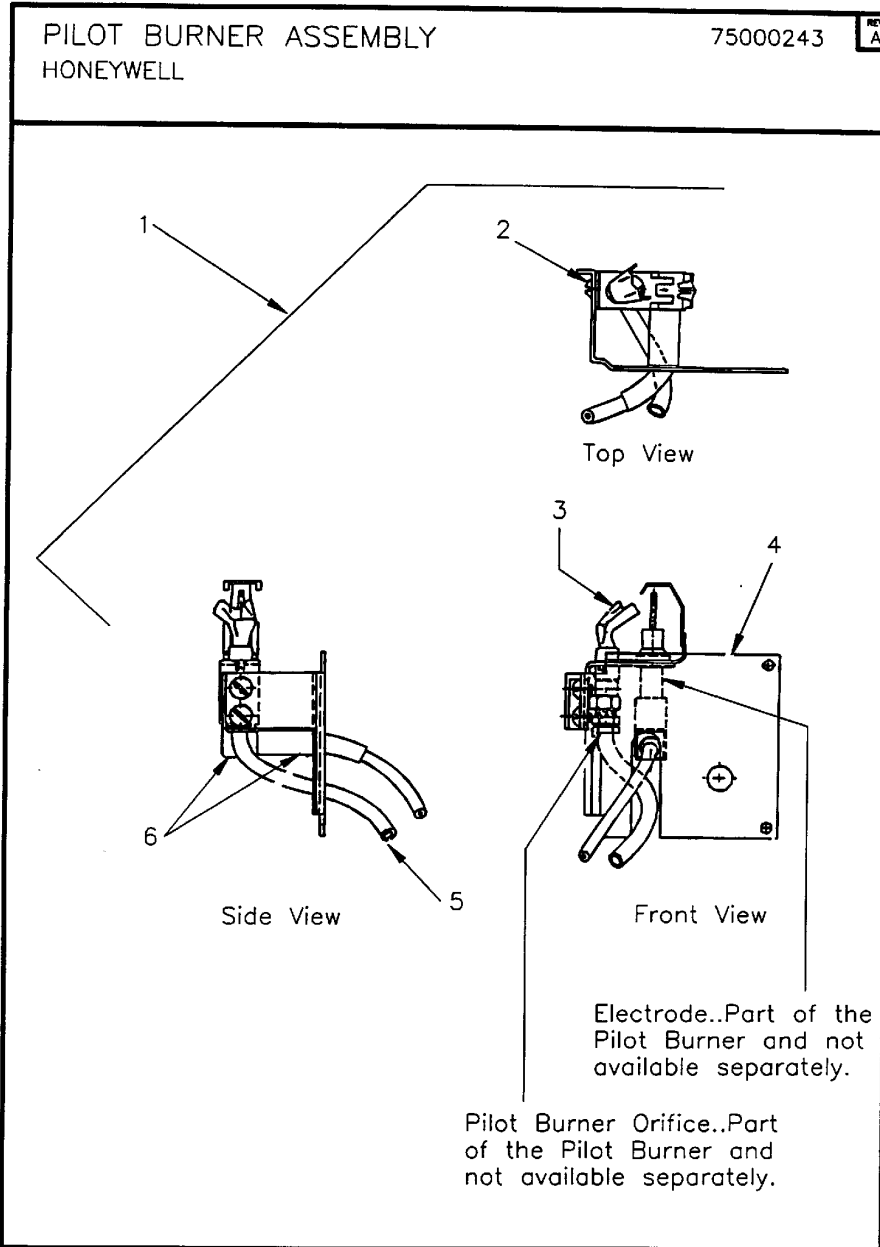


<b>Part No.</b>	<b>Reference No.</b>	<b>Quantity</b>	<b>Description</b>
COV01808	1	1	COVER;PEEP HOLE
PNN00700	2	1	PANEL; BOTTOM SERVICE
MFD00313	3	1	MANIFOLD;ASSEMBLY (INCLUDES 2 BRACKETS AND END PLUG)
BNR00596	4	12	BURNER;MAIN, ALUMINUM, SINGLE BURNER

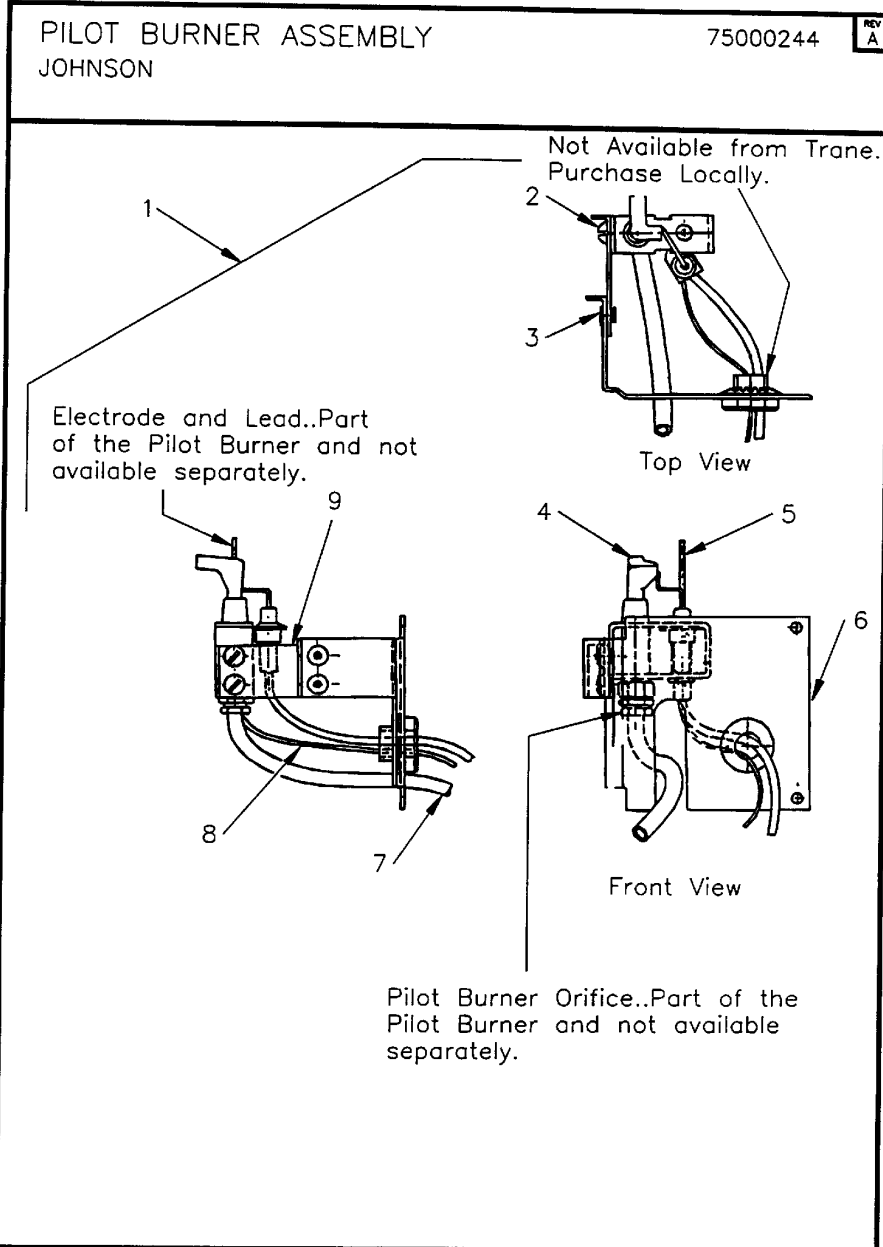


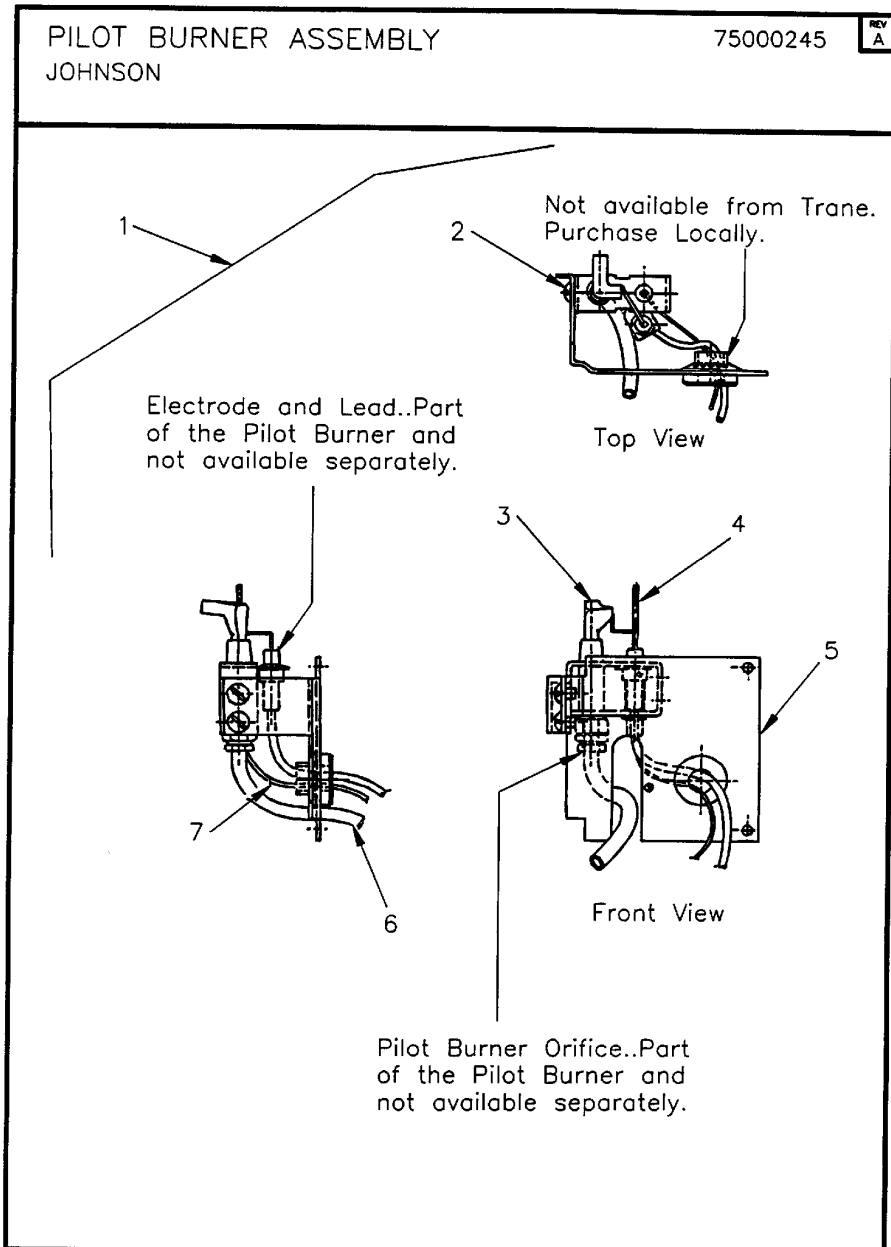
<b>Part No.</b>	<b>Reference No.</b>	<b>Quantity</b>	<b>Description</b>
SPG00249	1	12	SPRING;BURNER, ORDER QTY.SHOULD BE PCS
HLD00116	2	12	HOLDER; ORIFICE
SCR00964	3	5	SCREW; #8, 1/2 IN. LG. SELF TAPPING
BLT00183	4	4	BOLT; HEX HEAD
NUT00518	5	4	NUT; HEX HEAD
WAS00671	6	4	WASHER; LOCK, 5/16 NOMINAL SIZE, .321 ID, .586 OD
ORF00615	7	12	ORIFICE; MAIN BURNER, DRILL SIZE #41



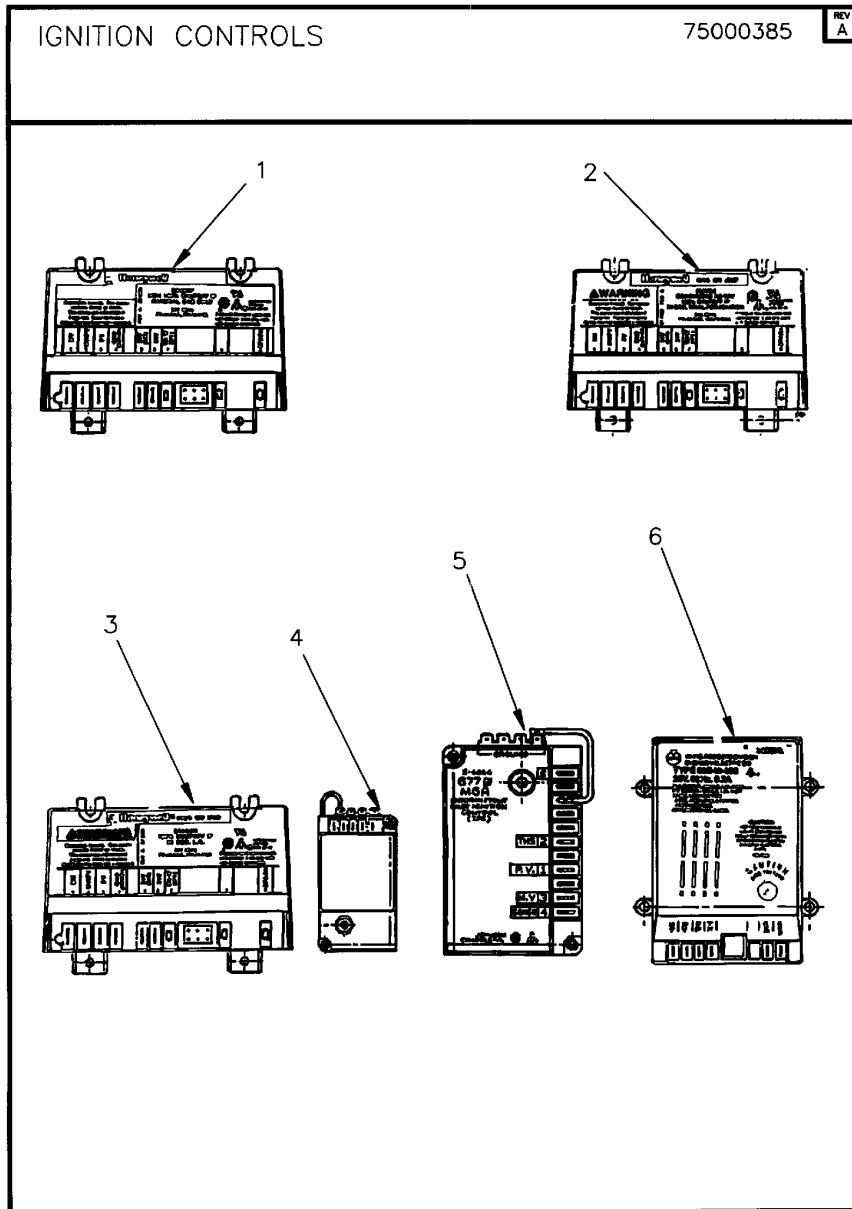


<b>Part No.</b>	<b>Reference No.</b>	<b>Quantity</b>	<b>Description</b>
PIT00084	1	1	PILOT; NATURAL GAS, BURNER ASSEMBLY, R.H. INTERMITTENT, 150/400, HONEYWELL, WITH BRACKET AND TUBING
PIT00228	1	1	PILOT; NATURAL GAS ASSEMBLY, L.H. SPARK IGN. 150/400
PIT00068	3	1	PILOT; NATURAL GAS, BURNER, R.H. ELECTRIC IGNITION
PIT00224	3	1	PILOT; BURNER L.H., ELECTRIC IGNITION, NAT. GAS

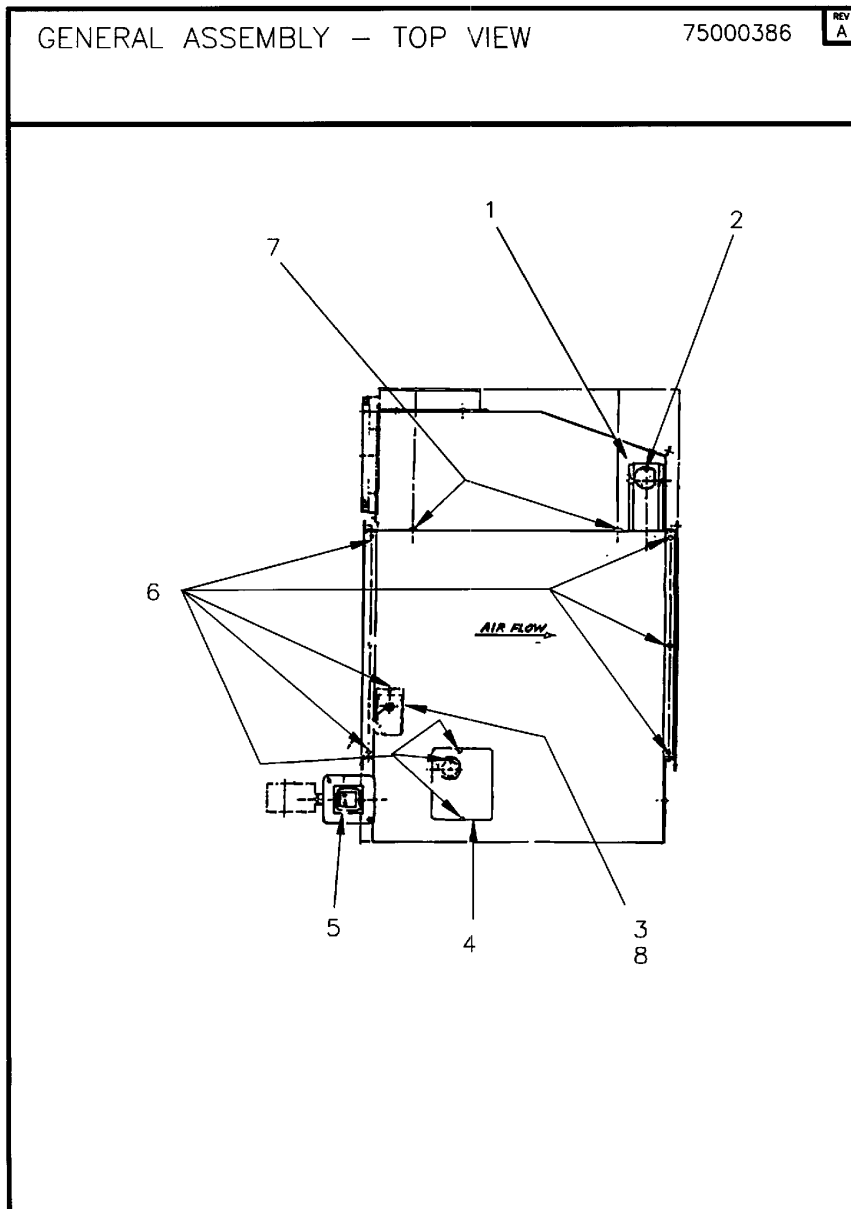




<b>Part No.</b>	<b>Reference No.</b>	<b>Quantity</b>	<b>Description</b>
VAL02178	1	1	VALVE; MODULATING & REGULATING (NOT THE GAS VALVE)MAIXTROL SYSTEM MR VALVE 610 3/4 IN NG
VAL03934	1	1	VALVE;GAS, NATURAL GAS, SPARK IGNITION, 1 STAGE, 3/4 X 3/4



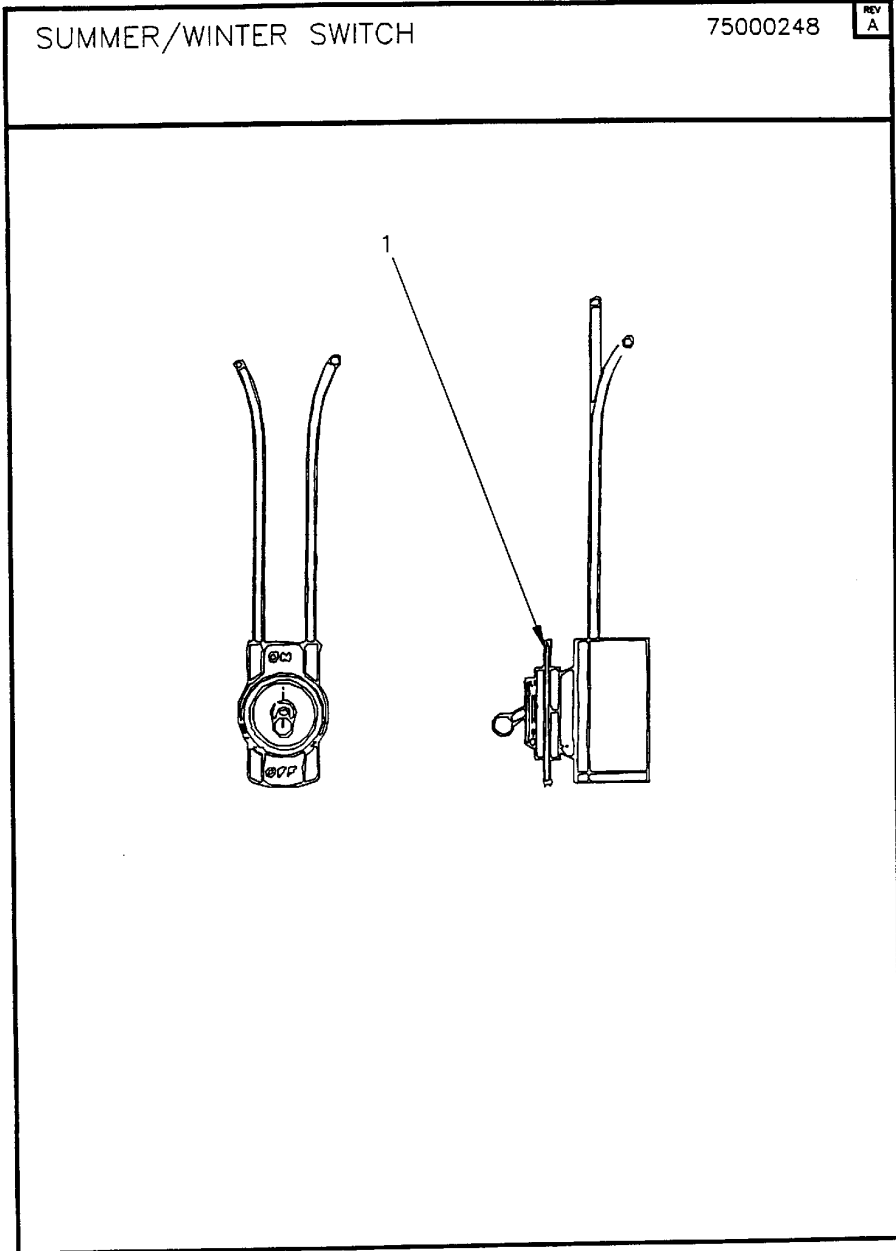
<b>Part No.</b>	<b>Reference No.</b>	<b>Quantity</b>	<b>Description</b>
CNT01318	1	1	CONTROL, IGNITION NATURAL GAS(HONEYWELL)
CNT01466	2	1	CONTROL; IGNITOR, CONTINUOUS RETRY 100 PERCENT SHUTOFF IP
CNT01241	3	1	CONTROL, IGNITION MODULE 90 SEC. MAX. LOCKOUT
CNT01012	4	1	CONTROL; SPARK IGNITION
CNT01190	5	1	CONTROL, IGNITION, W/LOCKOUT
CNT01467	6	1	CONTROL; IGNITOR



<b>Part No.</b>	<b>Reference No.</b>	<b>Quantity</b>	<b>Description</b>
COV01810	1	1	COVER;BLOCKED VENT SWITCH
SCR00964	2	1	SCREW; #8, 1/2 IN. LG. SELF TAPPING
SWT01429	3	1	SWITCH, PRIMARY HIGH LIMIT, HL1, ON THE INLET, 3 PRONG
SWT01430	3	1	SWITCH; HIGH LIMIT (DUCT ONLY), 2 PRONG
DOR00396	4	1	DOOR; PILOT SIDE ACCESS
SCR00964	6	9	SCREW; #8, 1/2 IN. LG. SELF TAPPING
RTR00096	7	2	RETAINER, NUT
DOR00735	8	1	DOOR;HIGH LIMIT ACCESS

<b>Part No.</b>	<b>Reference No.</b>	<b>Quantity</b>	<b>Description</b>
PNN03643	1	1	PANEL;OUTSIDE JACKET LH OR RH
PNN03652	2	1	PANEL; LOWER FRONT TRIM 300
PNN03644	3	1	PANEL; OUTSIDE JACKET, WITH CUTOUTS FOR PILOT RELAY ETC... RH

Part No.	Reference No.	Quantity	Description
SCR00769	1	2	SCREW; #8, PHILIPS PAN HEAD,1/2 IN. LG.
BRK00947	2	1	BRACKET; PRESSURE SWITCH MOUNTING
SCR00769	3	1	SCREW; #8, PHILIPS PAN HEAD,1/2 IN. LG.
SWT00645	4	1	SWITCH;CONTROL, PRESSURE, .30 IN WC
FLU00075	5	1	FLUE; VENT
SCR00769	6	1	SCREW; #8, PHILIPS PAN HEAD,1/2 IN. LG.
HUS01380	7	1	HOUSING;POWER VENT BLOWER
WHL00509	8	1	WHEEL; DRAFTOR
PLT01122	9	1	PLATE; ADAPTER FOR POWER VENT ASSEMBLY
SCR00769	10	5	SCREW; #8, PHILIPS PAN HEAD,1/2 IN. LG.
RLY00978	11	1	RELAY; POWER CONTROL, 24V COIL, DPST, 12 AMP AT 125V
BRK00948	12	1	BRACKET;JUNCTION BOX MOUNTING
MOT02690	13	1	MOTOR, POWER VENT(INDUCER), 1/20 HP, 115/60, 1.5 AMPS, 2 POLE,
COV01241	14	1	COVER; PRESSURE SWITCH BRACKET



Parts List Number :GDNDUP2

Model Number :GLND030ANG30000

<b>Part No.</b>	<b>Reference No.</b>	<b>Quantity</b>	<b>Description</b>
ADP00490	*	1	ADAPTER;
CAP00550	*	1	CAP; VENT 6 INCH

MODEL NUMBER DESCRIPTION		75000093	REV F
Indoor Gas Heating Units			
Digit 1 — Gas Heating Equipment	Digit 12 — Rooftop Arrangements		
Digit 2 — Unit Type	0 = None (Indoor Unit)		
P = Propeller Fan Unit Heater	S = Special		
B = High Efficiency Centrifugal Fan Unit Heater	Digit 13 — Rooftop Heating Unit		
C = Centrifugal Fan Unit Heater	Motor Selection		
D = Indoor Duct Furnace	S = Special		
L = High Eff. Indoor Duct Furnace	0 = None (Indoor Unit & Rooftop Duct Furnace)		
H = High Efficiency Propeller Fan U.H.	Digit 14 — Rooftop Fan Section		
E = Centrifugal Fan U.H. with Enclosure	0 = None (Indoor Unit & Rooftop Duct Furnace)		
S = Special	S = Special		
Digit 3 — Fuel	Digit 15 — Miscellaneous Options		
N = Natural Gas	All Units		
P = LP Gas (Propane)	0 = None		
S = Special	A = #409 Stainless Steel Burners (see note 2)		
Digit 4 — Design Sequence	B = Orifices for Elevation Above 2000 Feet		
F = Sixth Generation etc	(Specify Elevation)		
Digit 5,6,7 — Input Capacity	S = Special		
Single Furnace	Propeller Fan Unit Heater (Std., HI-Effic. & Sep. Comb.)		
003 = 30 MBh	C = #409 Stainless Steel Draft Diverter		
004 = 45 MBh	D = Summer-Winter Switch		
005 = 50 MBh	E = Vertical Louvers		
006 = 60 MBh	J = Totally Enclosed Motor		
007 = 75 MBh	7 = OSHA Fan Guard		
010 = 100 MBh	017 = 175 MBh		
012 = 125 MBh	020 = 200 MBh		
015 = 150 MBh	022 = 225 MBh		
	025 = 250 MBh		
	030 = 300 MBh		
	035 = 350 MBh		
	040 = 400 MBh		
Digit 8 — Main Power Supply	Centrifugal Fan Unit Heater (Std., HI-Effic. & Sep. Comb.)		
A = 115/60/1	C = #409 Stainless Steel Draft Diverter		
B = 230/60/1	D = Summer-Winter Switch		
C = 208/60/3	E = Vertical Louvers		
D = 230/60/3	H = Duct Discharge Flange		
E = 460/60/3	J = Totally Enclosed Motor		
F = 575/60/3	Duct Furnace (Indoor)(Std. or Hi-Eff.)		
S = Special	C = #409 Stainless Steel Draft Diverter		
Digit 9 — Gas Control Option	D = Summer-Winter Switch		
A = Single-Stage, Standing Pilot	F = Horizontal Louvers		
B = Two Stage, Standing Pilot	G = Horizontal & Vert. Louvers		
C = Hydraulic Modulating, Standing Pilot *	K = Side Access Burner Drawer (Left Hand) *		
D = Single-Stage, Intermittent Pilot Ignition	L = Fan Time Delay Control		
E = Two-Stage, Intermittent Pilot Ignition	M = Side Access Burner Drawer (Right Hand) *		
F = Hydraulic Modulating, Inter. Pilot, 60-100 Deg.*	Separated Combustion Indoor Duct Furnace		
G = Hydraulic Mod.w/Bypass, Inter. Pilot 60-100 Deg.	C = #409 Stainless Steel Draft Diverter		
H = Elec. Mod. W/Room Stat, Intermittent Pilot Ign.	D = Summer-Winter Switch		
J = Elec. Mod. W/Duct Stat, Intermittent Pilot Ign.	F = Horizontal Louvers		
L = Elec. Mod. W/External 4-20 mA Input	G = Horizontal & Vertical Louvers		
N = Elec. Mod. W/External 0-10 VDC Input	Tubular Heat Exchanger, Propeller Type		
P = Hydraulic Mod., Intermittent Pilot 75-150 Deg.	J = Totally Enclosed Motor		
R = Hydraulic Mod.w/Bypass, Inter.Pilot 75-150 Deg.	7 = OSHA Fan Guard		
S = Special			
*Specify discharge temperature			
Digit 10 — Design Sequence	Notes:		
D = Forth Design	1. Available on the tubular sizes 100-40 only.		
Digit 11 — Heat Exchanger Material	2. Not available for tubular.		
1 = Aluminized Steel	*Opt.M & K are determined by facing the air outlet side of the duct furnace.		
2 = #409 Stainless Steel (see note 1)			
3 = #321 Stainless Steel (see note 2)			
S = Special			

