

| Part No.                  | Reference No. | Quantity | Description                            |
|---------------------------|---------------|----------|--|
| 75000383#GDNDUP2~S        | *             |          | BURNER & MANIFOLD ASSEMBLY             |
| 75000384#GDNDUP2~S        | *             |          | BURNER COMPONENTS                      |
| 75000382#GDNDUP2~S        | *             |          | BURNER DRAWER ASSEMBLY                 |
| GDND2016#GDNDUP2~S        | *             |          | CANADIAN / STANDARD VENT CAP & ADAPTER |
| 75000381#GDNDUP2~S        | *             |          | FURNACE ASSEMBLY, SIDE VIEW            |
| GDND2002#GDNDUP2~S        | *             |          | GAS VALVE, NATURAL                     |
| GDND2001_GDNDUP2_105068~P | *             |          | GDNDUP2 PARTS LIST                     |
| 75000387#GDNDUP2~S        | *             |          | GENERAL ASSEMBLY, SIDE VIEW            |
| 75000386#GDNDUP2~S        | *             |          | GENERAL ASSEMBLY, TOP VIEW             |
| 75000380#GDNDUP2~S        | *             |          | HEAT EXCHANGER OR DRAFT DIVERTER       |
| 75000385#GDNDUP2~S        | *             |          | IGNITION CONTROLS                      |
| 75000093#GDNDUP2~S        | *             |          | MODEL NUMBER DESCRIPTION               |
| 75000243#GDNDUP2~S        | *             |          | PILOT BURNER ASSEMBLY, HONEYWELL       |
| 75000242#GDNDUP2~S        | *             |          | PILOT BURNER ASSEMBLY, HONEYWELL       |
| 75000244#GDNDUP2~S        | *             |          | PILOT BURNER ASSEMBLY, JOHNSON         |
| 75000245#GDNDUP2~S        | *             |          | PILOT BURNER ASSEMBLY, JOHNSON         |
| 75000388#GDNDUP2~S        | *             |          | POWER VENT ASSEMBLY                    |
| 75000248#GDNDUP2~S        | *             |          | SUMMER/WINTER SWITCH                   |
| 75000373#GDNDUP2~S        | *             |          | TIME DELAY RELAY                       |

NO GRAPHIC AVAILABLE

75013702

REV  
A

**NO  
GRAPHIC  
AVAILABLE**



| <b>Part No.</b>           | <b>Reference No.</b> | <b>Quantity</b> | <b>Description</b>                          |
|---------------------------|----------------------|-----------------|---|
| 75000382#GDNDUP2~S        | *                    |                 | BURNER DRAWER ASSEMBLY                      |
| 75000380_GDNDUP2_127273~P | *                    |                 | HEAT EXCHANGER OR DRAFT DIVERTER PARTS LIST |



Parts List Number :GDND2001#GDNDUP2

Model Number :GLND020AEG10000

| <b>Part No.</b> | <b>Reference No.</b> | <b>Quantity</b> | <b>Description</b>                          |
|-----------------|----------------------|-----------------|---|
| FLU00080        | 1                    | 1               | FLUE;COLLECTOR - ALUMINIZED 200 HORZ PBE&DE |
| EXC01523        | 2                    | 1               | EXCHANGER; HEAT ALUMINUM                    |

BURNER DRAWER ASSEMBLY

75000382

REV  
A



| Part No.                  | Reference No. | Quantity | Description                       |
|---------------------------|---------------|----------|-----------------------------------|
| 75000382_GDNDUP2_105963~P | *             |          | BURNER DRAWER ASSEMBLY PARTS LIST |

BURNER DRAWER ASSEMBLY

75000382

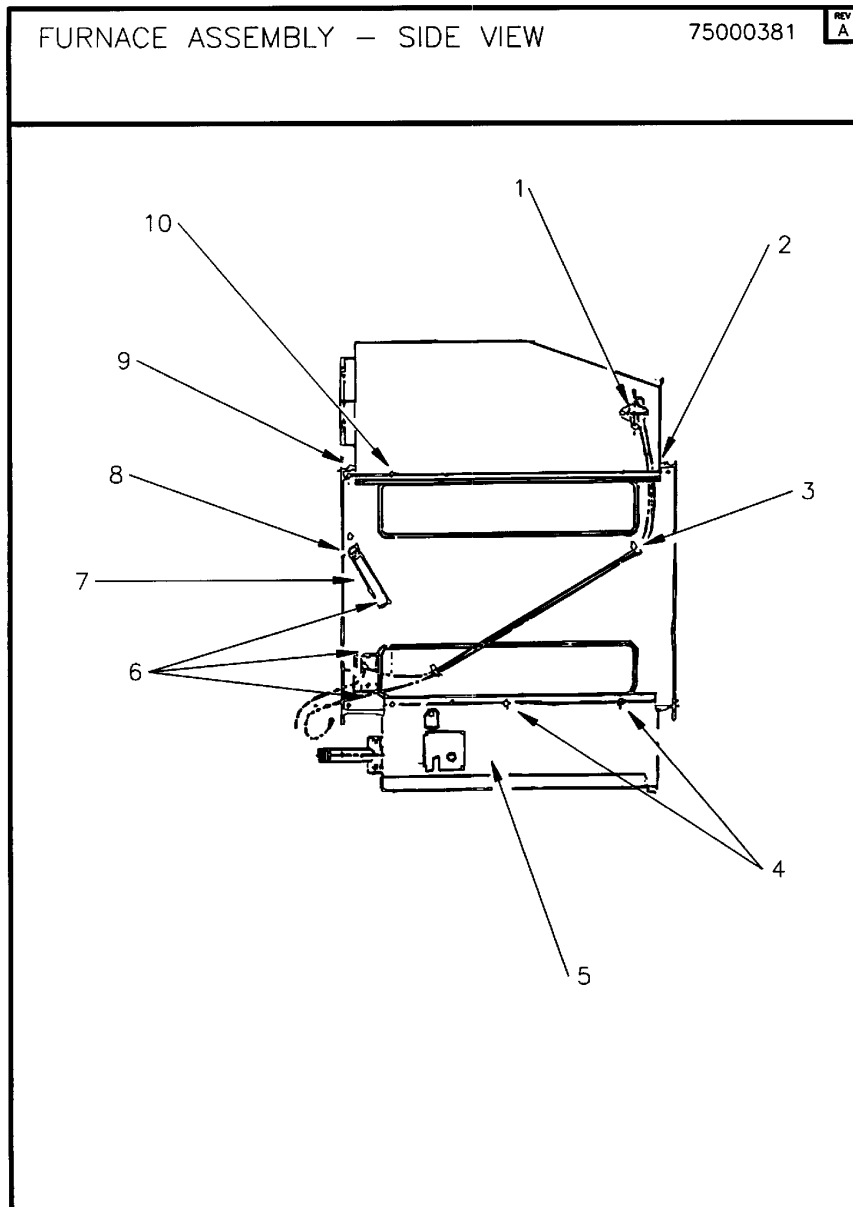
REV  
A



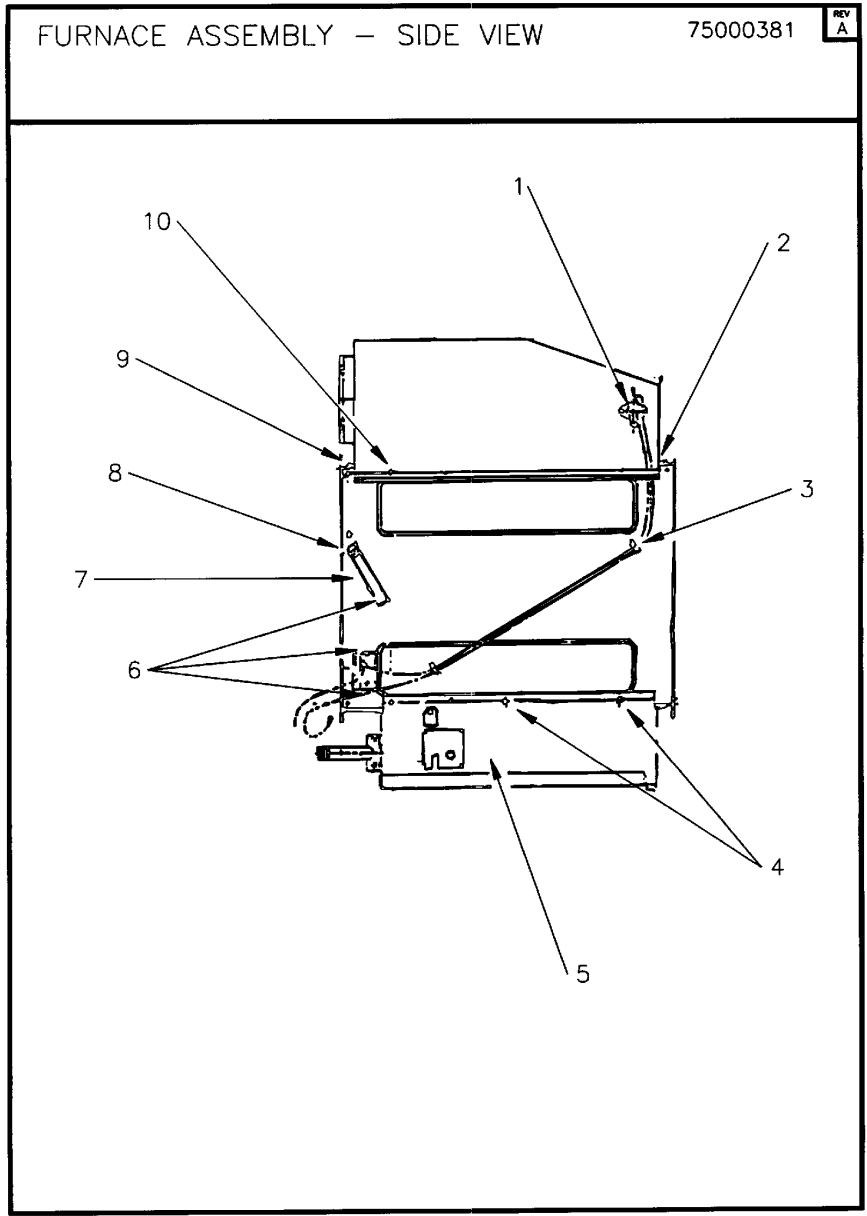
Parts List Number :GDND2001#GDNDUP2

Model Number :GLND020AEG10000

| <b>Part No.</b> | <b>Reference No.</b> | <b>Quantity</b> | <b>Description</b>                   |
|-----------------|----------------------|-----------------|--------------------------------------|
| CAS00229        | 1                    | 1               | CASING;(BURNER DRAWER), LESS BURNERS |
| SHT00034        | 2                    | 16              | SHUTTER; AIR                         |



| <b>Part No.</b>           | <b>Reference No.</b> | <b>Quantity</b> | <b>Description</b>                     |
|---------------------------|----------------------|-----------------|--|
| 75000382#GDNDUP2~S        | *                    |                 | BURNER DRAWER ASSEMBLY                 |
| 75000381_GDNDUP2_105964~P | *                    |                 | FURNACE ASSEMBLY, SIDE VIEW PARTS LIST |



Parts List Number :GDND2001#GDNDUP2

Model Number :GLND020AEG10000

| Part No. | Reference No. | Quantity | Description   |
|----------|---------------|----------|---|
| SWT01433 | 1             | 1        | SWITCH; BLOCKED-VENT, 250 DEG. OPEN, 2 WIRE, FOR 75 MBH UNITS |
| SCR00769 | 2             | 1        | SCREW; #8, PHILIPS PAN HEAD,1/2 IN. LG.                       |
| SCR00769 | 3             | 1        | SCREW; #8, PHILIPS PAN HEAD,1/2 IN. LG.                       |
| SCR01379 | 4             | 1        | SCREW;SELF-TAPPING, #10-1/2                                   |
| SCR01379 | 6             | 1        | SCREW;SELF-TAPPING, #10-1/2                                   |
| BAF00264 | 7             | 1        | BAFFLE; HEAT EXCHANGER AIR                                    |
| SCR00769 | 8             | 1        | SCREW; #8, PHILIPS PAN HEAD,1/2 IN. LG.                       |
| SCR00769 | 9             | 1        | SCREW; #8, PHILIPS PAN HEAD,1/2 IN. LG.                       |
| SCR01379 | 10            | 1        | SCREW;SELF-TAPPING, #10-1/2                                   |

BURNER DRAWER ASSEMBLY

75000382

REV  
A



| Part No.                  | Reference No. | Quantity | Description                       |
|---------------------------|---------------|----------|-----------------------------------|
| 75000382_GDNDUP2_105963~P | *             |          | BURNER DRAWER ASSEMBLY PARTS LIST |

BURNER DRAWER ASSEMBLY

75000382

REV  
A



Parts List Number :GDND2001#GDNDUP2

Model Number :GLND020AEG10000

| <b>Part No.</b> | <b>Reference No.</b> | <b>Quantity</b> | <b>Description</b>                   |
|-----------------|----------------------|-----------------|--------------------------------------|
| CAS00229        | 1                    | 1               | CASING;(BURNER DRAWER), LESS BURNERS |
| SHT00034        | 2                    | 16              | SHUTTER; AIR                         |

BURNER DRAWER ASSEMBLY

75000382

REV  
A

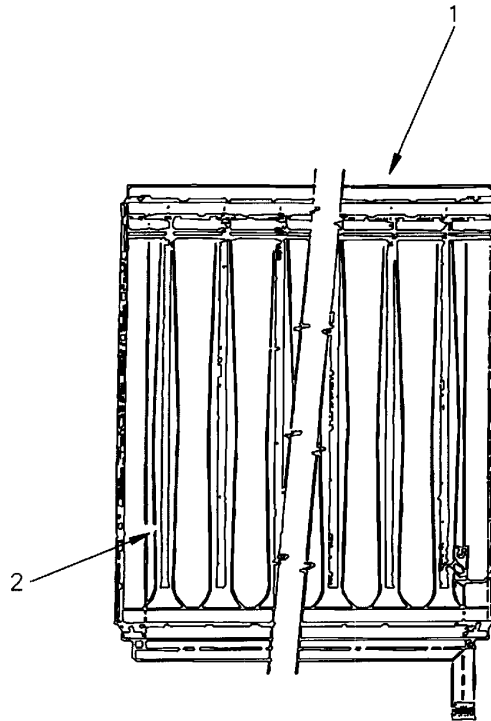


| Part No.                  | Reference No. | Quantity | Description                       |
|---------------------------|---------------|----------|-----------------------------------|
| 75000382_GDNDUP2_105963~P | *             |          | BURNER DRAWER ASSEMBLY PARTS LIST |

BURNER DRAWER ASSEMBLY

75000382

REV  
A



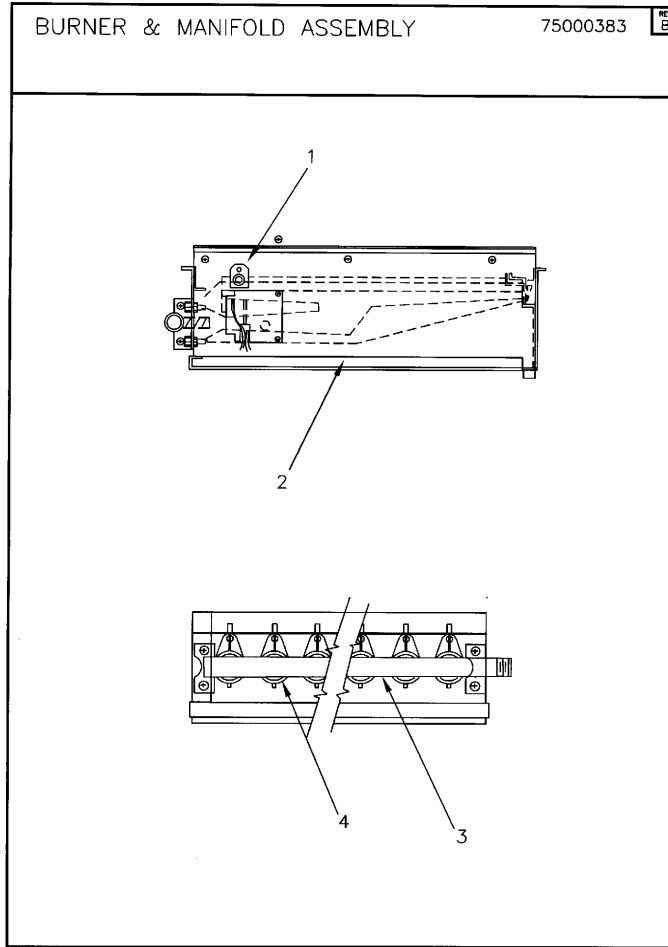
Parts List Number :GDND2001#GDNDUP2

Model Number :GLND020AEG10000

| <b>Part No.</b> | <b>Reference No.</b> | <b>Quantity</b> | <b>Description</b>                   |
|-----------------|----------------------|-----------------|--------------------------------------|
| CAS00229        | 1                    | 1               | CASING;(BURNER DRAWER), LESS BURNERS |
| SHT00034        | 2                    | 16              | SHUTTER; AIR                         |



| Part No.                  | Reference No. | Quantity | Description                           |
|---------------------------|---------------|----------|---------------------------------------|
| 75000383_GDNDUP2_105966~P | *             |          | BURNER & MANIFOLD ASSEMBLY PARTS LIST |



Parts List Number :GDND2001#GDNDUP2

Model Number :GLND020AEG10000

| <b>Part No.</b> | <b>Reference No.</b> | <b>Quantity</b> | <b>Description</b>                                   |
|-----------------|----------------------|-----------------|--|
| COV01808        | 1                    | 1               | COVER;PEEP HOLE                                      |
| PNN00697        | 2                    | 1               | PANEL; BOTTOM SERVICE                                |
| MFD00310        | 3                    | 1               | MANIFOLD;ASSEMBLY (INCLUDES 2 BRACKETS AND END PLUG) |
| BNR00596        | 4                    | 8               | BURNER;MAIN, ALUMINUM, SINGLE BURNER                 |

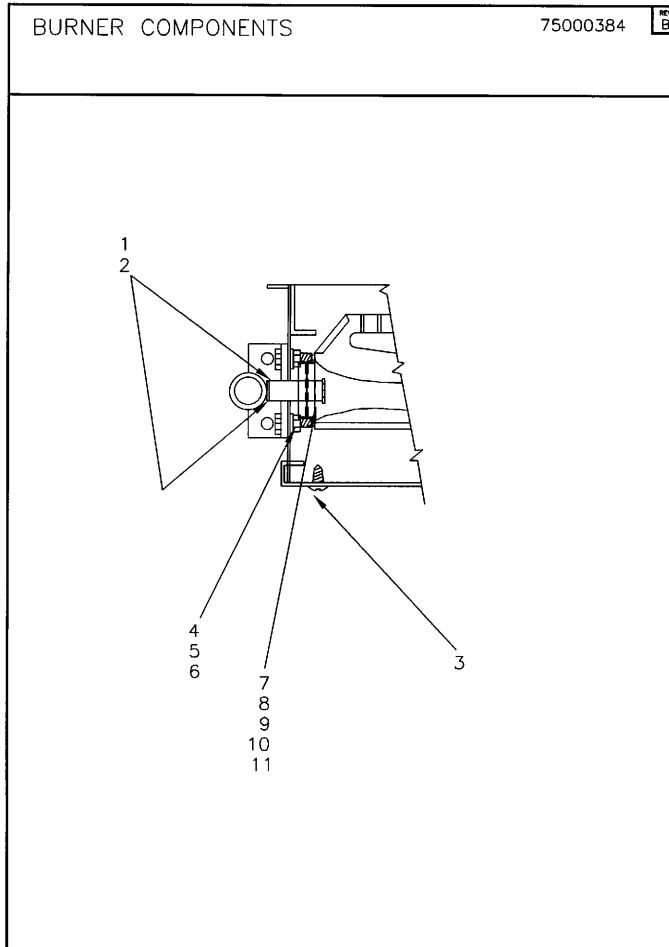


BURNER COMPONENTS

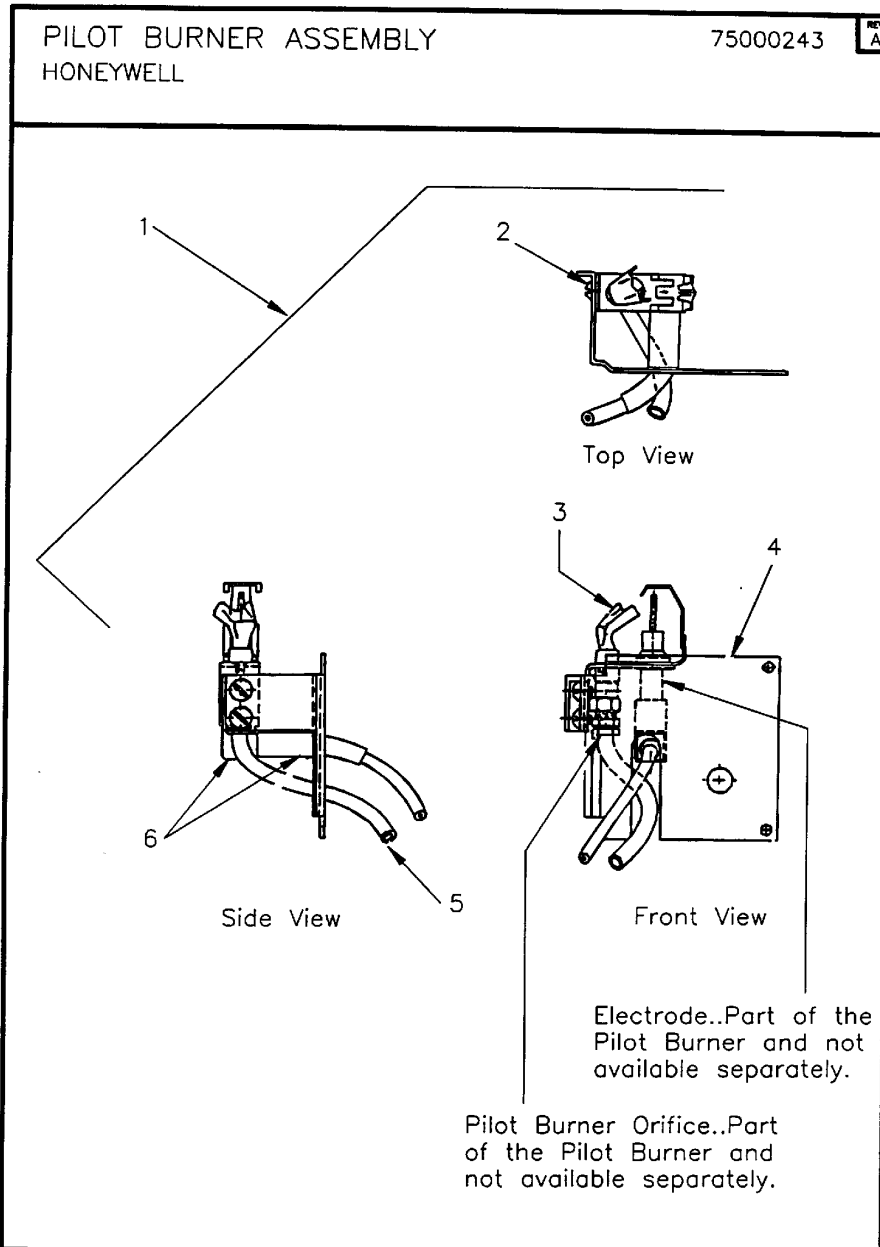
Parts List Number :GDND2001#GDNDUP2

Model Number :GLND020AEG10000

| Part No.                  | Reference No. | Quantity | Description                  |
|---------------------------|---------------|----------|------------------------------|
| 75000384_GDNDUP2_105969~P | *             |          | BURNER COMPONENTS PARTS LIST |



| <b>Part No.</b> | <b>Reference No.</b> | <b>Quantity</b> | <b>Description</b>                                |
|-----------------|----------------------|-----------------|---|
| SPG00249        | 1                    | 8               | SPRING;BURNER, ORDER QTY.SHOULD BE PCS            |
| HLD00116        | 2                    | 8               | HOLDER; ORIFICE                                   |
| SCR00964        | 3                    | 5               | SCREW; #8, 1/2 IN. LG. SELF TAPPING               |
| BLT00183        | 4                    | 4               | BOLT; HEX HEAD                                    |
| NUT00518        | 5                    | 4               | NUT; HEX HEAD                                     |
| WAS00671        | 6                    | 4               | WASHER; LOCK, 5/16 NOMINAL SIZE, .321 ID, .586 OD |
| ORF00615        | 7                    | 8               | ORIFICE; MAIN BURNER, DRILL SIZE #41              |



| Part No.                  | Reference No. | Quantity | Description                                 |
|---------------------------|---------------|----------|---|
| 75000243_GDNDUP2_105952~P | *             |          | PILOT BURNER ASSEMBLY, HONEYWELL PARTS LIST |



Parts List Number :GDND2001#GDNDUP2

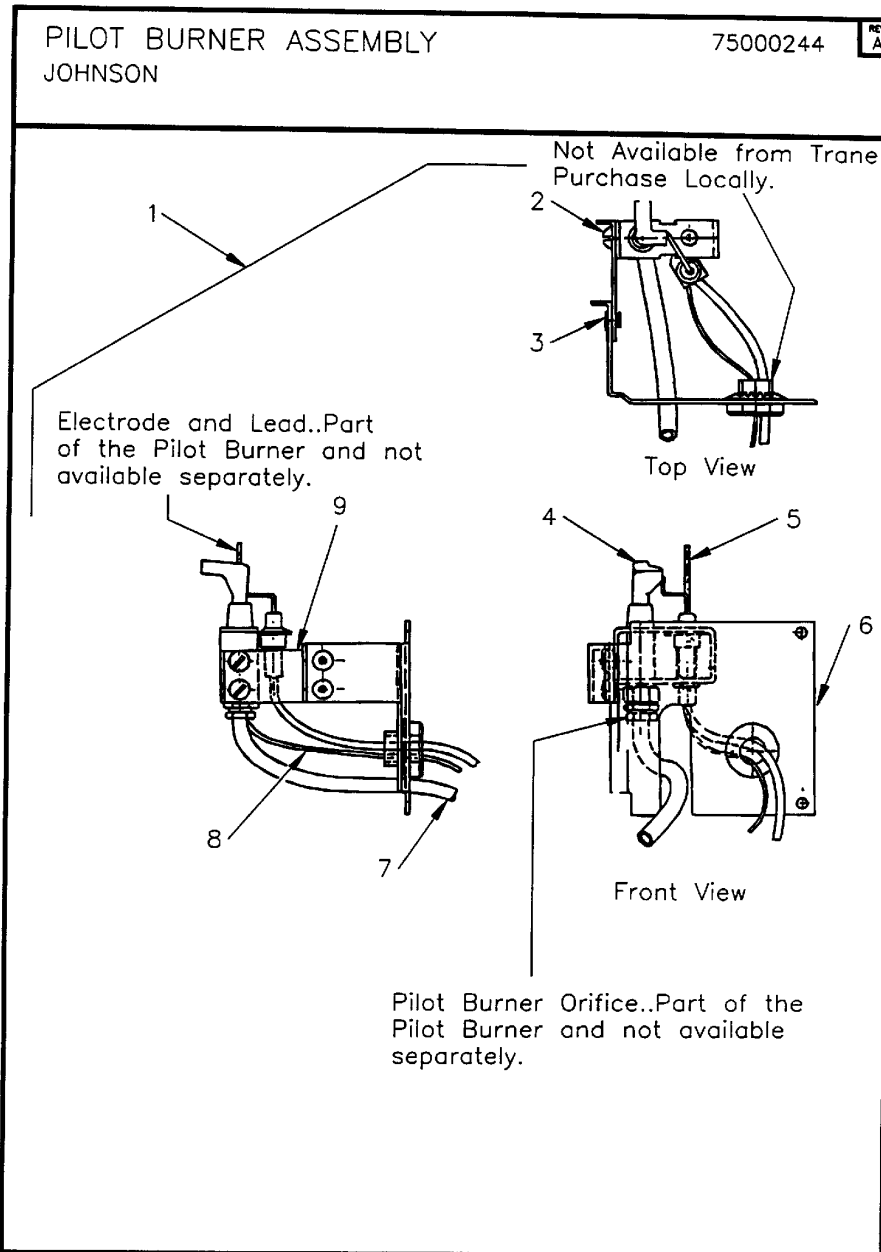
Model Number :GLND020AEG10000

| Part No. | Reference No. | Quantity | Description   |
|----------|---------------|----------|---|
| PIT00084 | 1             | 1        | PILOT; NATURAL GAS, BURNER ASSEMBLY, R.H. INTERMITTENT, 150/400, HONEYWELL, WITH BRACKET AND TUBING |
| PIT00228 | 1             | 1        | PILOT; NATURAL GAS ASSEMBLY, L.H. SPARK IGN. 150/400  |
| SCR01120 | 2             | 2        | SCREW; SLOTTED ROUND HEAD MACHINE, #10-32, 3/16 LENGTH  |
| PIT00068 | 3             | 1        | PILOT; NATURAL GAS, BURNER, R.H. ELECTRIC IGNITION  |
| PIT00224 | 3             | 1        | PILOT; BURNER L.H., ELECTRIC IGNITION, NAT. GAS   |
| BRK01004 | 4             | 1        | BRACKET; PILOT BURNER   |
| TUB02033 | 5             | 1        | TUBE;PILOT BURNER,24IN.ALUMINUM,1/4IN.OD  |
| LED00321 | 6             | 1        | LEAD;36IN.HI-TEMP IGNITION CABLE W/CERAMIC BOOT   |



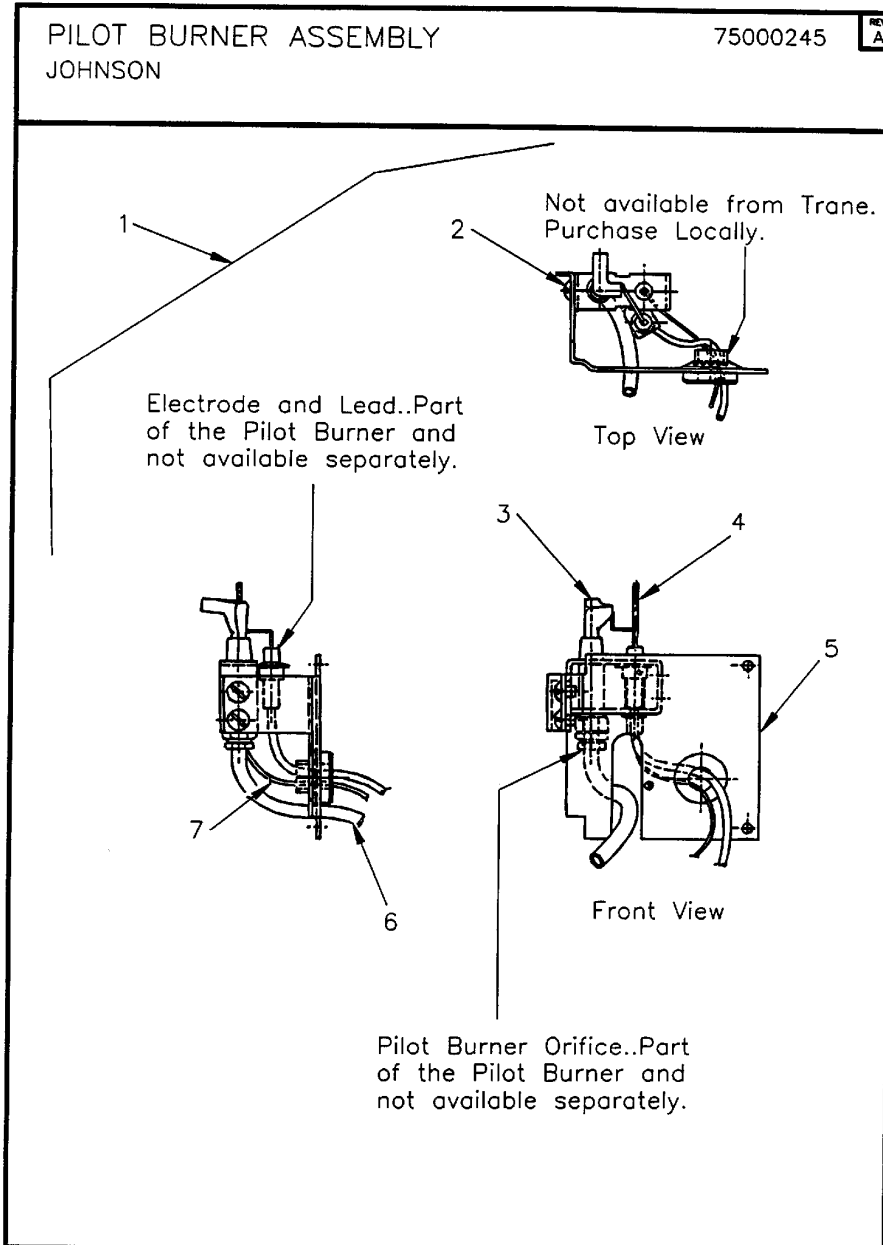
| Part No.                  | Reference No. | Quantity | Description                                 |
|---------------------------|---------------|----------|---|
| 75000242_GDNDUP2_105070~P | *             |          | PILOT BURNER ASSEMBLY, HONEYWELL PARTS LIST |



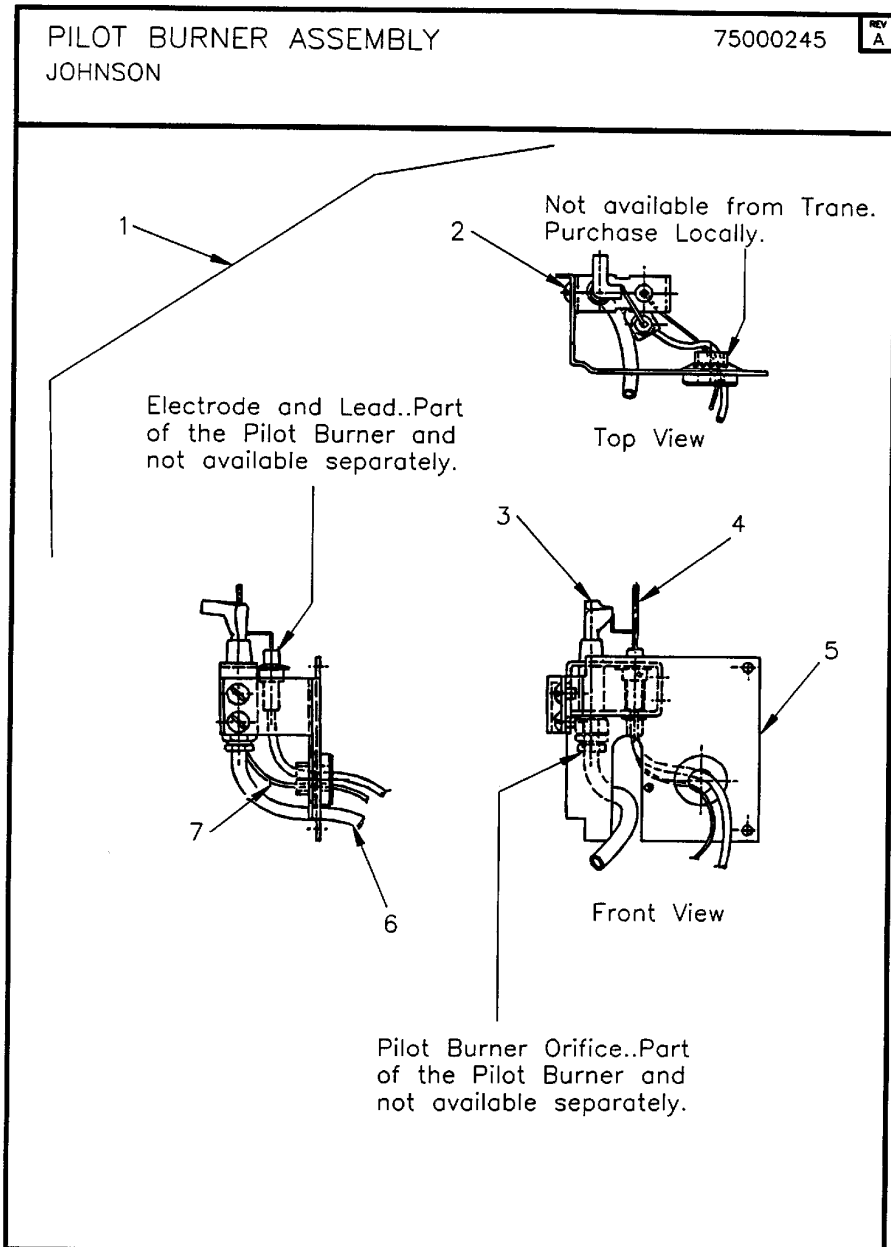


| Part No.                  | Reference No. | Quantity | Description                               |
|---------------------------|---------------|----------|---|
| 75000244_GDNDUP2_105072~P | *             |          | PILOT BURNER ASSEMBLY, JOHNSON PARTS LIST |





| Part No.                  | Reference No. | Quantity | Description                               |
|---------------------------|---------------|----------|---|
| 75000245_GDNDUP2_105956~P | *             |          | PILOT BURNER ASSEMBLY, JOHNSON PARTS LIST |



| Part No. | Reference No. | Quantity | Description   |
|----------|---------------|----------|---|
| PIT00088 | 1             | 1        | PILOT; NATURAL GAS, BURNER ASSEMBLY, INTERMITTENT, 150/400, WITH BRACKET AND TUBING |
| SCR01120 | 2             | 1        | SCREW; SLOTTED ROUND HEAD MACHINE, #10-32, 3/16 LENGTH                              |
| PIT00026 | 3             | 1        | PILOT;BURNER,NATURAL R.H, ELECTRONIC IGNITION                                       |
| SEN00073 | 4             | 1        | SENSOR;FLAME  |
| BRK01004 | 5             | 1        | BRACKET; PILOT BURNER   |
| TUB02033 | 6             | 1        | TUBE;PILOT BURNER,24IN.ALUMINUM,1/4IN.OD  |
| LED00284 | 7             | 1        | LEAD; SENSING, 58"  |

| Part No.                      | Reference No. | Quantity | Description                   |
|-------------------------------|---------------|----------|-------------------------------|
| GDND2002_GDNDUP2_105984~<br>P | *             |          | GAS VALVE, NATURAL PARTS LIST |

NO GRAPHIC AVAILABLE

75013702

REV  
A

**NO  
GRAPHIC  
AVAILABLE**

| <b>Part No.</b> | <b>Reference No.</b> | <b>Quantity</b> | <b>Description</b>  |
|-----------------|----------------------|-----------------|---|
| VAL02117        | 1                    | 1               | VALVE;GAS, NAT.,2 STAGE, 250 BTUH, 24V, CONN. .50 X .75 PIPE SIZE   |
| VAL03933        | 1                    | 1               | VALVE;GAS, SPARK IGNITION 1/2 X 3/4, 1 STAGE NOTE: IF 9TH DIGIT OF THE MODEL NUMBER IS AN E USE VAL2117 (TWO STAGE GAS VALVE) |



IGNITION CONTROLS

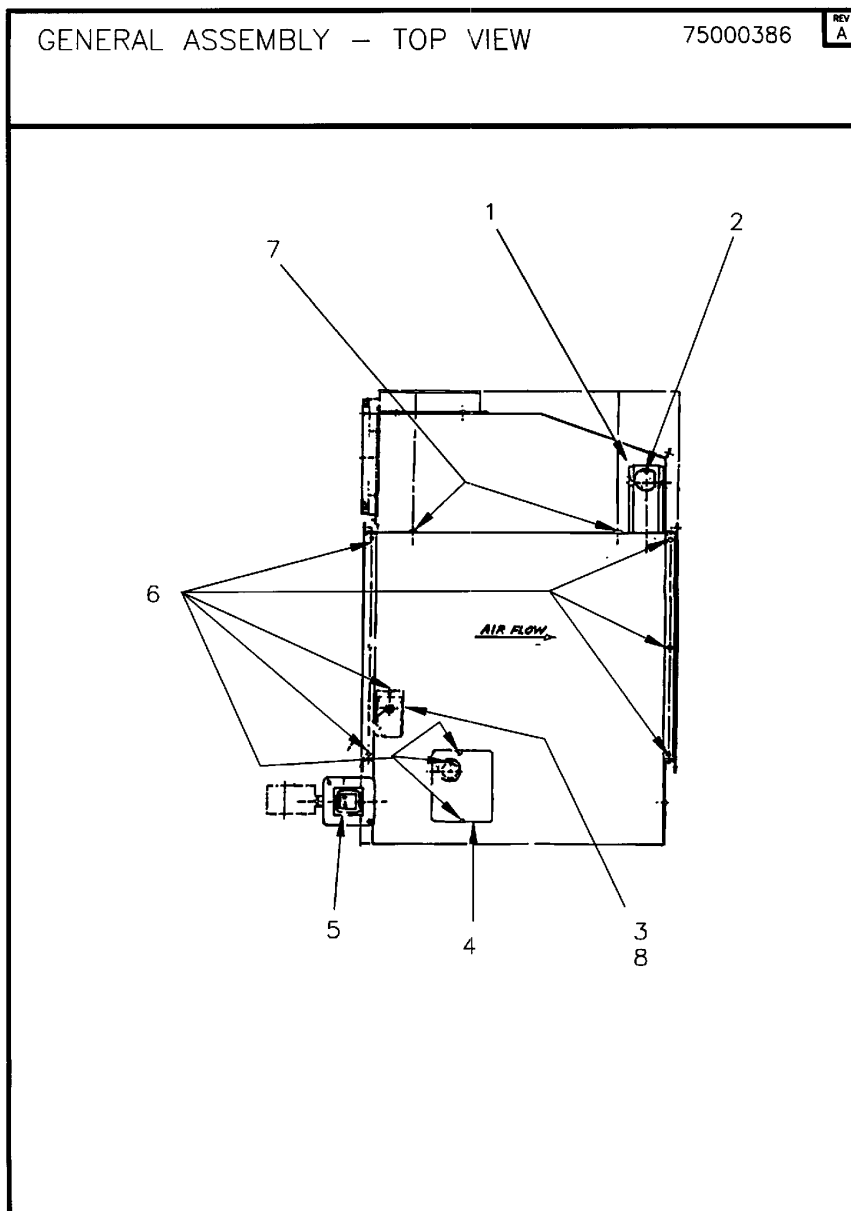
Parts List Number :GDND2001#GDNDUP2

Model Number :GLND020AEG10000

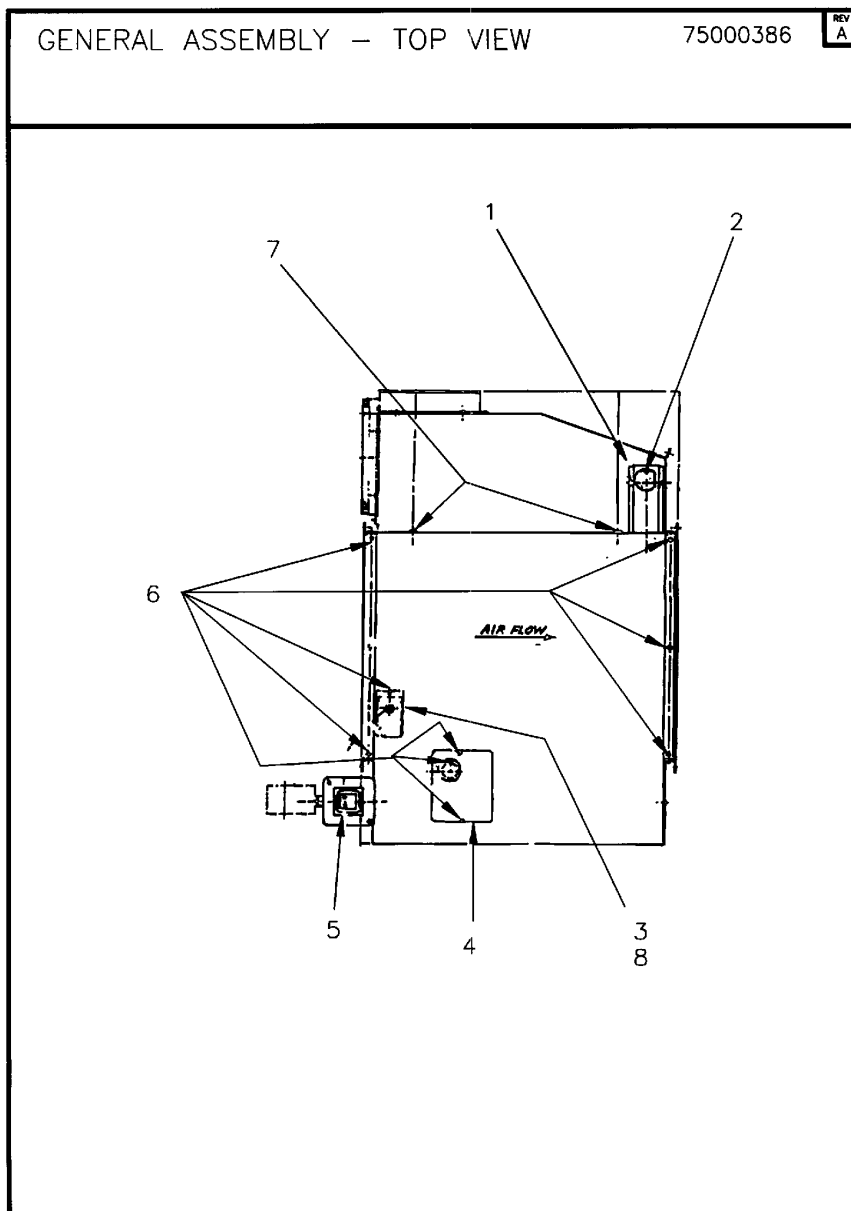
| Part No.                  | Reference No. | Quantity | Description                  |
|---------------------------|---------------|----------|------------------------------|
| 75000385_GDNDUP2_105091~P | *             |          | IGNITION CONTROLS PARTS LIST |



| <b>Part No.</b> | <b>Reference No.</b> | <b>Quantity</b> | <b>Description</b>  |
|-----------------|----------------------|-----------------|---|
| CNT01318        | 1                    | 1               | CONTROL, IGNITION NATURAL GAS(HONEYWELL)                  |
| CNT01466        | 2                    | 1               | CONTROL; IGNITOR, CONTINUOUS RETRY 100 PERCENT SHUTOFF IP |
| CNT01241        | 3                    | 1               | CONTROL, IGNITION MODULE 90 SEC. MAX. LOCKOUT             |
| CNT01012        | 4                    | 1               | CONTROL; SPARK IGNITION                                   |
| CNT01190        | 5                    | 1               | CONTROL, IGNITION, W/LOCKOUT                              |
| CNT01467        | 6                    | 1               | CONTROL; IGNITOR  |



| Part No.                  | Reference No. | Quantity | Description                           |
|---------------------------|---------------|----------|---------------------------------------|
| 75000386_GDNDUP2_105971~P | *             |          | GENERAL ASSEMBLY, TOP VIEW PARTS LIST |



Parts List Number :GDND2001#GDNDUP2

Model Number :GLND020AEG10000

| <b>Part No.</b> | <b>Reference No.</b> | <b>Quantity</b> | <b>Description</b>                                     |
|-----------------|----------------------|-----------------|--|
| COV01810        | 1                    | 1               | COVER;BLOCKED VENT SWITCH                              |
| SCR00964        | 2                    | 1               | SCREW; #8, 1/2 IN. LG. SELF TAPPING                    |
| SWT01429        | 3                    | 1               | SWITCH, PRIMARY HIGH LIMIT, HL1, ON THE INLET, 3 PRONG |
| SWT01430        | 3                    | 1               | SWITCH; HIGH LIMIT (DUCT ONLY), 2 PRONG                |
| DOR00396        | 4                    | 1               | DOOR; PILOT SIDE ACCESS                                |
| TRR00465        | 5                    | 1               | TRANSFORMER; 40VA,115-120V PRI., 24V SEC.              |
| SCR00964        | 6                    | 9               | SCREW; #8, 1/2 IN. LG. SELF TAPPING                    |
| RTR00096        | 7                    | 2               | RETAINER, NUT  |
| DOR00735        | 8                    | 1               | DOOR;HIGH LIMIT ACCESS                                 |

| Part No.                  | Reference No. | Quantity | Description                            |
|---------------------------|---------------|----------|--|
| 75000387_GDNDUP2_105974~P | *             |          | GENERAL ASSEMBLY, SIDE VIEW PARTS LIST |

NO GRAPHIC AVAILABLE

75013702

REV  
A

**NO  
GRAPHIC  
AVAILABLE**

Parts List Number :GDND2001#GDNDUP2

Model Number :GLND020AEG10000

| <b>Part No.</b> | <b>Reference No.</b> | <b>Quantity</b> | <b>Description</b>   |
|-----------------|----------------------|-----------------|--|
| PNN03643        | 1                    | 1               | PANEL;OUTSIDE JACKET LH OR RH                                    |
| PNN03649        | 2                    | 1               | PANEL;LOWER FRONT TRIM 200                                       |
| PNN03644        | 3                    | 1               | PANEL; OUTSIDE JACKET, WITH CUTOUTS FOR PILOT RELAY<br>ETC... RH |

| Part No.                  | Reference No. | Quantity | Description                    |
|---------------------------|---------------|----------|--------------------------------|
| 75000388_GDNDUP2_105978~P | *             |          | POWER VENT ASSEMBLY PARTS LIST |

NO GRAPHIC AVAILABLE

75013702

REV  
A

**NO  
GRAPHIC  
AVAILABLE**

| Part No. | Reference No. | Quantity | Description  |
|----------|---------------|----------|--|
| SCR00769 | 1             | 2        | SCREW; #8, PHILIPS PAN HEAD,1/2 IN. LG.                        |
| BRK00947 | 2             | 1        | BRACKET; PRESSURE SWITCH MOUNTING                              |
| SCR00769 | 3             | 1        | SCREW; #8, PHILIPS PAN HEAD,1/2 IN. LG.                        |
| SWT00644 | 4             | 1        | SWITCH;CONTROL, PRESSURE, .40 IN WC                            |
| FLU00075 | 5             | 1        | FLUE; VENT   |
| SCR00769 | 6             | 1        | SCREW; #8, PHILIPS PAN HEAD,1/2 IN. LG.                        |
| HUS01380 | 7             | 1        | HOUSING;POWER VENT BLOWER                                      |
| WHL00509 | 8             | 1        | WHEEL; DRAFTOR   |
| PLT01122 | 9             | 1        | PLATE; ADAPTER FOR POWER VENT ASSEMBLY                         |
| SCR00769 | 10            | 5        | SCREW; #8, PHILIPS PAN HEAD,1/2 IN. LG.                        |
| RLY00978 | 11            | 1        | RELAY; POWER CONTROL, 24V COIL, DPST, 12 AMP AT 125V           |
| BRK00948 | 12            | 1        | BRACKET;JUNCTION BOX MOUNTING                                  |
| MOT02690 | 13            | 1        | MOTOR, POWER VENT(INDUCER), 1/20 HP, 115/60, 1.5 AMPS, 2 POLE, |
| COV01241 | 14            | 1        | COVER; PRESSURE SWITCH BRACKET                                 |

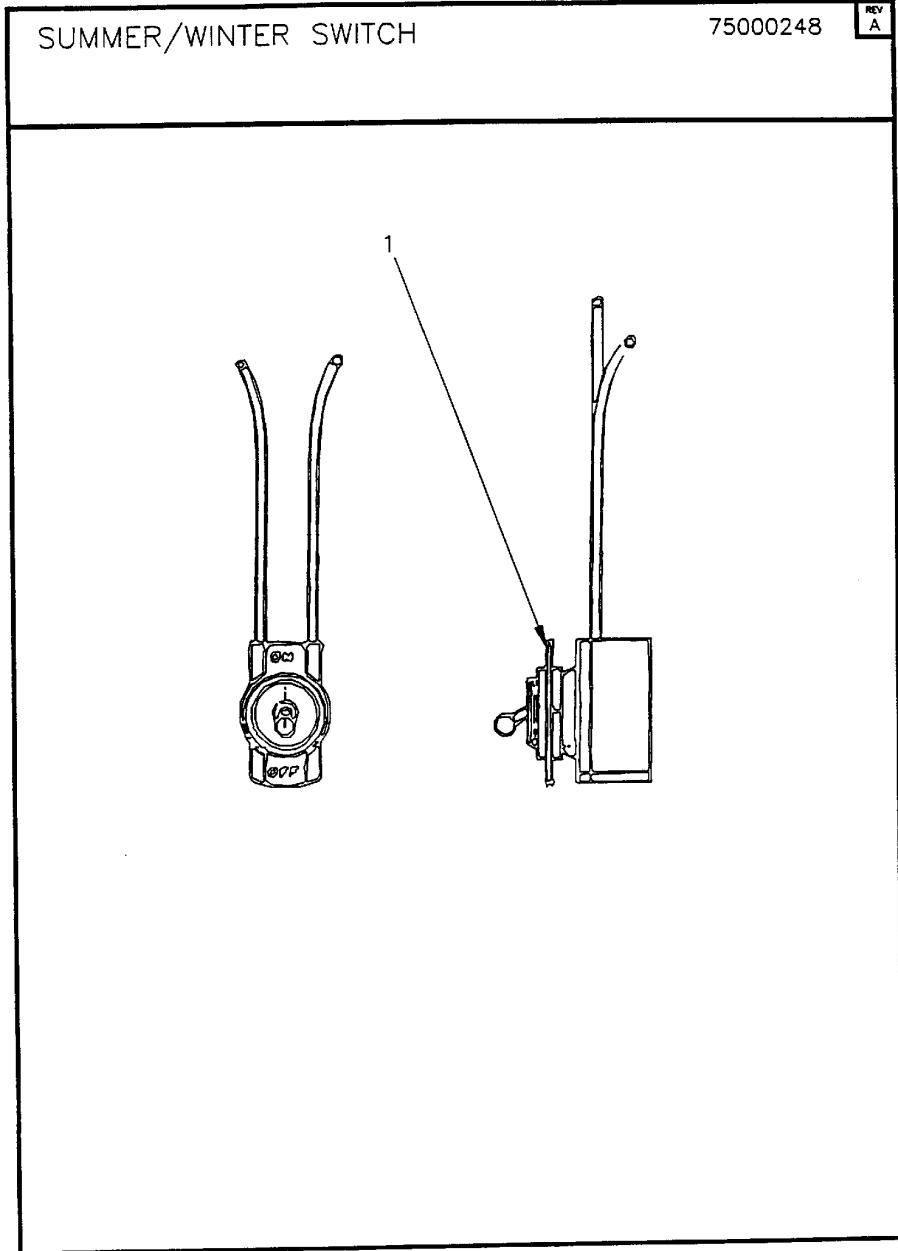
| Part No.                  | Reference No. | Quantity | Description                 |
|---------------------------|---------------|----------|-----------------------------|
| 75000373_GDNDUP2_105960~P | *             |          | TIME DELAY RELAY PARTS LIST |

NO GRAPHIC AVAILABLE

75013702

REV  
A

**NO  
GRAPHIC  
AVAILABLE**



| Part No.                  | Reference No. | Quantity | Description                     |
|---------------------------|---------------|----------|---------------------------------|
| 75000248_GDNDUP2_105074~P | *             |          | SUMMER/WINTER SWITCH PARTS LIST |



| Part No.                      | Reference No. | Quantity | Description                                       |
|-------------------------------|---------------|----------|---|
| GDND2016_GDNDUP2_105986~<br>P | *             |          | CANADIAN / STANDARD VENT CAP & ADAPTER PARTS LIST |

NO GRAPHIC AVAILABLE

75013702

REV  
A

**NO  
GRAPHIC  
AVAILABLE**

Parts List Number :GDND2001#GDNDUP2

Model Number :GLND020AEG10000

| <b>Part No.</b> | <b>Reference No.</b> | <b>Quantity</b> | <b>Description</b> |
|-----------------|----------------------|-----------------|--------------------|
| CAP00549        | *                    | 1               | CAP; 5 INCH VENT   |

| MODEL NUMBER DESCRIPTION                             |  | 75000093 | REV<br>F |
|--|--|----------|----------|
| Indoor Gas Heating Units                             |  |          |          |
| Digit 1 — Gas Heating Equipment                      | Digit 12 — Rooftop Arrangements  |          |          |
| Digit 2 — Unit Type                                  | 0 = None (Indoor Unit)   |          |          |
| P = Propeller Fan Unit Heater                        | S = Special  |          |          |
| B = High Efficiency Centrifugal Fan Unit Heater      | Digit 13 — Rooftop Heating Unit  |          |          |
| C = Centrifugal Fan Unit Heater                      | Motor Selection  |          |          |
| D = Indoor Duct Furnace                              | S = Special  |          |          |
| L = High Eff. Indoor Duct Furnace                    | 0 = None (Indoor Unit & Rooftop Duct Furnace)                                |          |          |
| H = High Efficiency Propeller Fan U.H.               | Digit 14 — Rooftop Fan Section   |          |          |
| E = Centrifugal Fan U.H. with Enclosure              | 0 = None (Indoor Unit & Rooftop Duct Furnace)                                |          |          |
| S = Special  | S = Special  |          |          |
| Digit 3 — Fuel                                       | Digit 15 — Miscellaneous Options   |          |          |
| N = Natural Gas                                      | All Units  |          |          |
| P = LP Gas (Propane)                                 | 0 = None   |          |          |
| S = Special  | A = #409 Stainless Steel Burners (see note 2)                                |          |          |
| Digit 4 — Design Sequence                            | B = Orifices for Elevation Above 2000 Feet                                   |          |          |
| F = Sixth Generation etc                             | (Specify Elevation)  |          |          |
| Digit 5,6,7 — Input Capacity                         | S = Special  |          |          |
| Single Furnace                                       | Propeller Fan Unit Heater (Std.,Hi-Effic.&Sep.Comb.)                         |          |          |
| 003 = 30 MBh 017 = 175 MBh                           | C = #409 Stainless Steel Draft Diverter                                      |          |          |
| 004 = 45 MBh 020 = 200 MBh                           | D = Summer-Winter Switch   |          |          |
| 005 = 50 MBh 022 = 225 MBh                           | E = Vertical Louvers   |          |          |
| 006 = 60 MBh 025 = 250 MBh                           | J = Totally Enclosed Motor   |          |          |
| 007 = 75 MBh 030 = 300 MBh                           | 7 = OSHA Fan Guard   |          |          |
| 010 = 100 MBh 035 = 350 MBh                          | Centrifugal Fan Unit Heater (Std.,Hi-Effic.&Sep.Comb.)                       |          |          |
| 012 = 125 MBh 040 = 400 MBh                          | C = #409 Stainless Steel Draft Diverter                                      |          |          |
| 015 = 150 MBh  | D = Summer-Winter Switch   |          |          |
| Digit 8 — Main Power Supply                          | E = Vertical Louvers   |          |          |
| A = 115/60/1   | H = Duct Discharge Flange  |          |          |
| B = 230/60/1   | J = Totally Enclosed Motor   |          |          |
| C = 208/60/3   | Duct Furnace (Indoor)(Std. or Hi-Eff.)                                       |          |          |
| D = 230/60/3   | C = #409 Stainless Steel Draft Diverter                                      |          |          |
| E = 460/60/3   | D = Summer-Winter Switch   |          |          |
| F = 575/60/3   | F = Horizontal Louvers   |          |          |
| S = Special  | G = Horizontal & Vert. Louvers   |          |          |
| Digit 9 — Gas Control Option                         | K = Side Access Burner Drawer (Left Hand) *                                  |          |          |
| A = Single-Stage, Standing Pilot                     | L = Fan Time Delay Control   |          |          |
| B = Two Stage, Standing Pilot                        | M = Side Access Burner Drawer (Right Hand) *                                 |          |          |
| C = Hydraulic Modulating, Standing Pilot *           | Separated Combustion Indoor Duct Furnace                                     |          |          |
| D = Single-Stage, Intermittent Pilot Ignition        | C = #409 Stainless Steel Draft Diverter                                      |          |          |
| E = Two-Stage, Intermittent Pilot Ignition           | D = Summer-Winter Switch   |          |          |
| F = Hydraulic Modulating, Inter. Pilot, 60-100 Deg.* | F = Horizontal Louvers   |          |          |
| G = Hydraulic Mod.w/Bypass, Inter. Pilot 60-100 Deg. | G = Horizontal & Vertical Louvers  |          |          |
| H = Elec. Mod. W/Room Stat, Intermittent Pilot Ign.  | Tubular Heat Exchanger, Propeller Type                                       |          |          |
| J = Elec. Mod. W/Duct Stat, Intermittent Pilot Ign.  | J = Totally Enclosed Motor   |          |          |
| L = Elec. Mod. W/External 4-20 mA Input              | 7 = OSHA Fan Guard   |          |          |
| N = Elec. Mod. W/External 0-10 VDC Input             |  |          |          |
| P = Hydraulic Mod., Intermittent Pilot 75-150 Deg.   |  |          |          |
| R = Hydraulic Mod.w/Bypass, Inter.Pilot 75-150 Deg.  |  |          |          |
| S = Special  |  |          |          |
| *Specify discharge temperature                       |  |          |          |
| Digit 10 — Design Sequence                           | Notes:   |          |          |
| D = Forth Design                                     | 1. Available on the tubular sizes 100-40 only.                               |          |          |
| Digit 11 — Heat Exchanger Material                   | 2. Not available for tubular.  |          |          |
| 1 = Aluminized Steel                                 | *Opt.M & K are determined by facing the air outlet side of the duct furnace. |          |          |
| 2 = #409 Stainless Steel (see note 1)                |  |          |          |
| 3 = #321 Stainless Steel (see note 2)                |  |          |          |
| S = Special  |  |          |          |

| Part No.                  | Reference No. | Quantity | Description                         |
|---------------------------|---------------|----------|-------------------------------------|
| 75000093_GDNDUP2_105069~P | *             |          | MODEL NUMBER DESCRIPTION PARTS LIST |

| MODEL NUMBER DESCRIPTION                             |  | 75000093 | REV<br>F |
|--|--|----------|----------|
| Indoor Gas Heating Units                             |  |          |          |
| Digit 1 — Gas Heating Equipment                      | Digit 12 — Rooftop Arrangements  |          |          |
| Digit 2 — Unit Type                                  | 0 = None (Indoor Unit)   |          |          |
| P = Propeller Fan Unit Heater                        | S = Special  |          |          |
| B = High Efficiency Centrifugal Fan Unit Heater      | Digit 13 — Rooftop Heating Unit  |          |          |
| C = Centrifugal Fan Unit Heater                      | Motor Selection  |          |          |
| D = Indoor Duct Furnace                              | S = Special  |          |          |
| L = High Eff. Indoor Duct Furnace                    | 0 = None (Indoor Unit & Rooftop Duct Furnace)                                |          |          |
| H = High Efficiency Propeller Fan U.H.               | Digit 14 — Rooftop Fan Section   |          |          |
| E = Centrifugal Fan U.H. with Enclosure              | 0 = None (Indoor Unit & Rooftop Duct Furnace)                                |          |          |
| S = Special  | S = Special  |          |          |
| Digit 3 — Fuel                                       | Digit 15 — Miscellaneous Options   |          |          |
| N = Natural Gas                                      | All Units  |          |          |
| P = LP Gas (Propane)                                 | 0 = None   |          |          |
| S = Special  | A = #409 Stainless Steel Burners (see note 2)                                |          |          |
| Digit 4 — Design Sequence                            | B = Orifices for Elevation Above 2000 Feet                                   |          |          |
| F = Sixth Generation etc                             | (Specify Elevation)  |          |          |
| Digit 5,6,7 — Input Capacity                         | S = Special  |          |          |
| Single Furnace                                       | Propeller Fan Unit Heater (Std.,Hi-Effic.&Sep.Comb.)                         |          |          |
| 003 = 30 MBh   | C = #409 Stainless Steel Draft Diverter                                      |          |          |
| 004 = 45 MBh   | D = Summer-Winter Switch   |          |          |
| 005 = 50 MBh   | E = Vertical Louvers   |          |          |
| 006 = 60 MBh   | J = Totally Enclosed Motor   |          |          |
| 007 = 75 MBh   | 7 = OSHA Fan Guard   |          |          |
| 010 = 100 MBh  | 017 = 175 MBh  |          |          |
| 012 = 125 MBh  | 020 = 200 MBh  |          |          |
| 015 = 150 MBh  | 022 = 225 MBh  |          |          |
|  | 025 = 250 MBh  |          |          |
|  | 030 = 300 MBh  |          |          |
|  | 035 = 350 MBh  |          |          |
|  | 040 = 400 MBh  |          |          |
| Digit 8 — Main Power Supply                          | Centrifugal Fan Unit Heater (Std.,Hi-Effic.&Sep.Comb.)                       |          |          |
| A = 115/60/1   | C = #409 Stainless Steel Draft Diverter                                      |          |          |
| B = 230/60/1   | D = Summer-Winter Switch   |          |          |
| C = 208/60/3   | E = Vertical Louvers   |          |          |
| D = 230/60/3   | H = Duct Discharge Flange  |          |          |
| E = 460/60/3   | J = Totally Enclosed Motor   |          |          |
| F = 575/60/3   | Duct Furnace (Indoor)(Std. or Hi-Eff.)                                       |          |          |
| S = Special  | C = #409 Stainless Steel Draft Diverter                                      |          |          |
| Digit 9 — Gas Control Option                         | D = Summer-Winter Switch   |          |          |
| A = Single-Stage, Standing Pilot                     | F = Horizontal Louvers   |          |          |
| B = Two Stage, Standing Pilot                        | G = Horizontal & Vert. Louvers   |          |          |
| C = Hydraulic Modulating, Standing Pilot *           | K = Side Access Burner Drawer (Left Hand) *                                  |          |          |
| D = Single-Stage, Intermittent Pilot Ignition        | L = Fan Time Delay Control   |          |          |
| E = Two-Stage, Intermittent Pilot Ignition           | M = Side Access Burner Drawer (Right Hand) *                                 |          |          |
| F = Hydraulic Modulating, Inter. Pilot, 60-100 Deg.* | Separated Combustion Indoor Duct Furnace                                     |          |          |
| G = Hydraulic Mod.w/Bypass, Inter. Pilot 60-100 Deg. | C = #409 Stainless Steel Draft Diverter                                      |          |          |
| H = Elec. Mod. W/Room Stat, Intermittent Pilot Ign.  | D = Summer-Winter Switch   |          |          |
| J = Elec. Mod. W/Duct Stat, Intermittent Pilot Ign.  | F = Horizontal Louvers   |          |          |
| L = Elec. Mod. W/External 4-20 mA Input              | G = Horizontal & Vertical Louvers  |          |          |
| N = Elec. Mod. W/External 0-10 VDC Input             | Tubular Heat Exchanger, Propeller Type                                       |          |          |
| P = Hydraulic Mod., Intermittent Pilot 75-150 Deg.   | J = Totally Enclosed Motor   |          |          |
| R = Hydraulic Mod.w/Bypass, Inter.Pilot 75-150 Deg.  | 7 = OSHA Fan Guard   |          |          |
| S = Special  |  |          |          |
| *Specify discharge temperature                       |  |          |          |
| Digit 10 — Design Sequence                           | Notes:   |          |          |
| D = Forth Design                                     | 1. Available on the tubular sizes 100-40 only.                               |          |          |
| Digit 11 — Heat Exchanger Material                   | 2. Not available for tubular.  |          |          |
| 1 = Aluminized Steel                                 | *Opt.M & K are determined by facing the air outlet side of the duct furnace. |          |          |
| 2 = #409 Stainless Steel (see note 1)                |  |          |          |
| 3 = #321 Stainless Steel (see note 2)                |  |          |          |
| S = Special  |  |          |          |

