

| Part No. | Reference No. | Quantity | Description |
|---------------------------|---------------|----------|--|
| 75000383#GDNDUP2~S | * | | BURNER & MANIFOLD ASSEMBLY |
| 75000384#GDNDUP2~S | * | | BURNER COMPONENTS |
| 75000382#GDNDUP2~S | * | | BURNER DRAWER ASSEMBLY |
| GDND2016#GDNDUP2~S | * | | CANADIAN / STANDARD VENT CAP & ADAPTER |
| 75000381#GDNDUP2~S | * | | FURNACE ASSEMBLY, SIDE VIEW |
| GDND2002#GDNDUP2~S | * | | GAS VALVE, NATURAL |
| GDND2001_GDNDUP2_105068~P | * | | GDNDUP2 PARTS LIST |
| 75000387#GDNDUP2~S | * | | GENERAL ASSEMBLY, SIDE VIEW |
| 75000386#GDNDUP2~S | * | | GENERAL ASSEMBLY, TOP VIEW |
| 75000380#GDNDUP2~S | * | | HEAT EXCHANGER OR DRAFT DIVERTER |
| 75000385#GDNDUP2~S | * | | IGNITION CONTROLS |
| 75000093#GDNDUP2~S | * | | MODEL NUMBER DESCRIPTION |
| 75000243#GDNDUP2~S | * | | PILOT BURNER ASSEMBLY, HONEYWELL |
| 75000242#GDNDUP2~S | * | | PILOT BURNER ASSEMBLY, HONEYWELL |
| 75000244#GDNDUP2~S | * | | PILOT BURNER ASSEMBLY, JOHNSON |
| 75000245#GDNDUP2~S | * | | PILOT BURNER ASSEMBLY, JOHNSON |
| 75000388#GDNDUP2~S | * | | POWER VENT ASSEMBLY |
| 75000248#GDNDUP2~S | * | | SUMMER/WINTER SWITCH |
| 75000373#GDNDUP2~S | * | | TIME DELAY RELAY |

NO GRAPHIC AVAILABLE

75013702

REV
A

**NO
GRAPHIC
AVAILABLE**



| Part No. | Reference No. | Quantity | Description |
|---------------------------|----------------------|-----------------|---|
| 75000382#GDNDUP2~S | * | | BURNER DRAWER ASSEMBLY |
| 75000380_GDNDUP2_200723~P | * | | HEAT EXCHANGER OR DRAFT DIVERTER PARTS LIST |



Parts List Number :GDND2001#GDNDUP2

Model Number :GLND010ADG2000

| Part No. | Reference No. | Quantity | Description |
|-----------------|----------------------|-----------------|----------------------------------|
| FLU00147 | 1 | 1 | FLUE;COLLECTOR, 409 SS, 100 HORZ |

BURNER DRAWER ASSEMBLY

75000382

REV
A

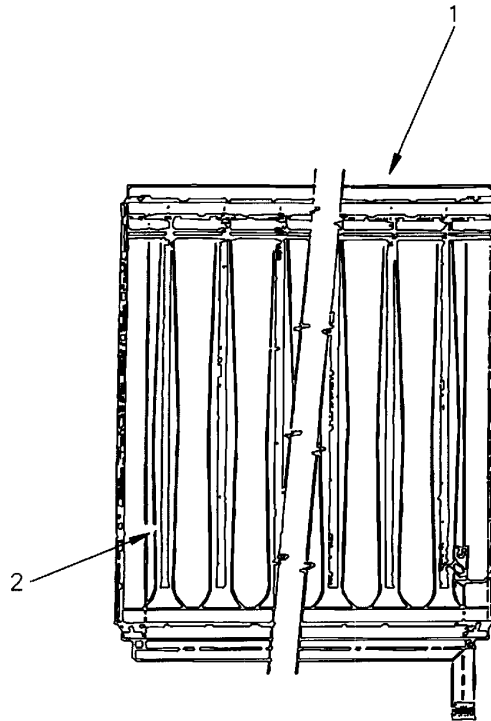


| Part No. | Reference No. | Quantity | Description |
|---------------------------|---------------|----------|-----------------------------------|
| 75000382_GDNDUP2_113294~P | * | | BURNER DRAWER ASSEMBLY PARTS LIST |

BURNER DRAWER ASSEMBLY

75000382

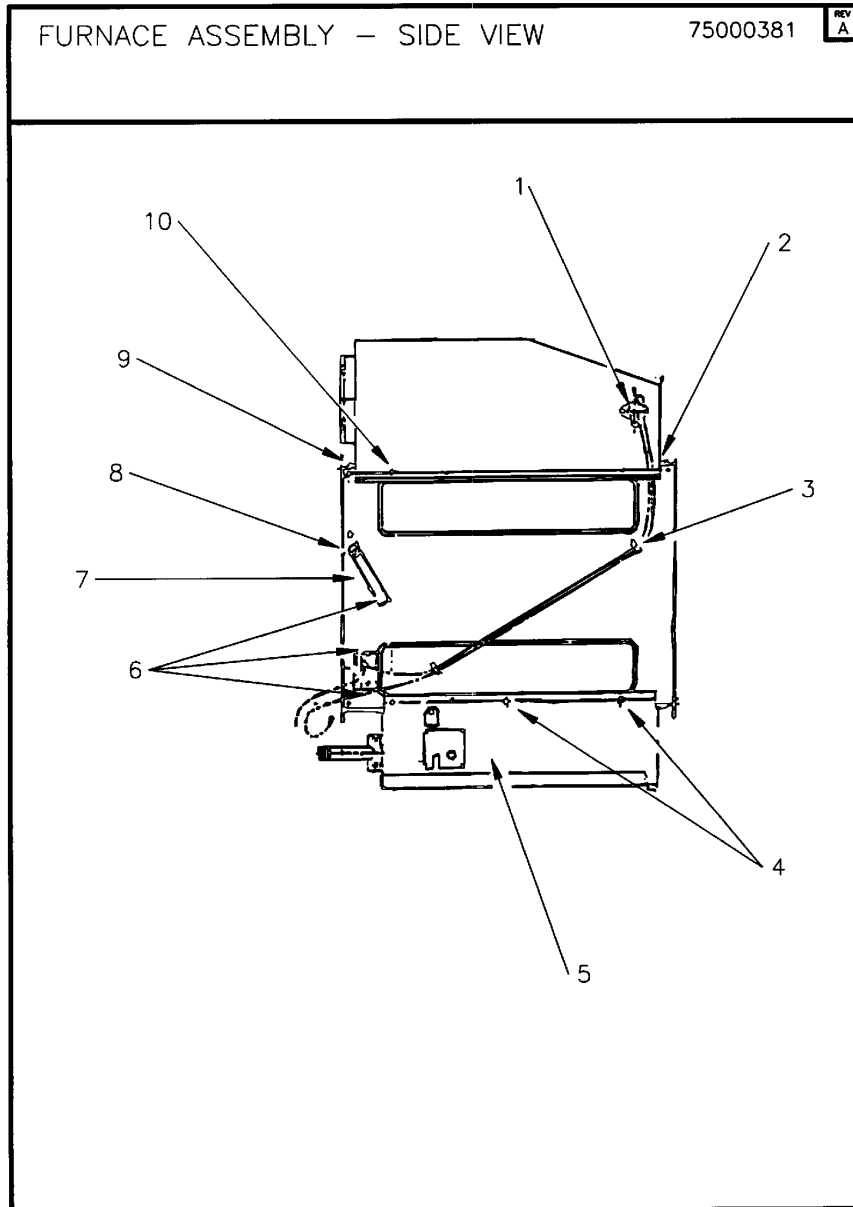
REV
A



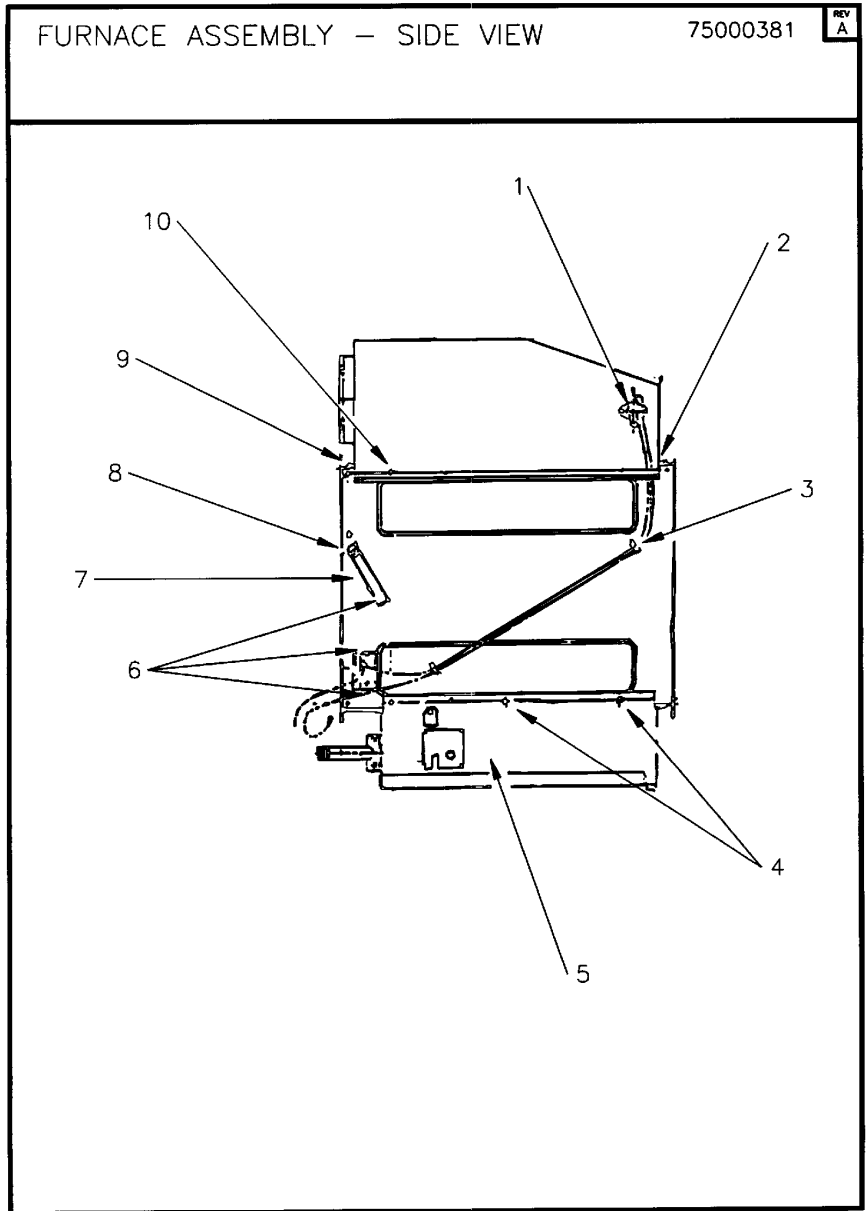
Parts List Number :GDND2001#GDNDUP2

Model Number :GLND010ADG2000

| Part No. | Reference No. | Quantity | Description |
|-----------------|----------------------|-----------------|--------------------------------------|
| CAS00225 | 1 | 1 | CASING;(BURNER DRAWER), LESS BURNERS |
| SHT00034 | 2 | 8 | SHUTTER; AIR |



| Part No. | Reference No. | Quantity | Description |
|---------------------------|----------------------|-----------------|--|
| 75000382#GDNDUP2~S | * | | BURNER DRAWER ASSEMBLY |
| 75000381_GDNDUP2_113295~P | * | | FURNACE ASSEMBLY, SIDE VIEW PARTS LIST |



Parts List Number :GDND2001#GDNDUP2

Model Number :GLND010ADG2000

| Part No. | Reference No. | Quantity | Description |
|----------|---------------|----------|---|
| SWT01433 | 1 | 1 | SWITCH; BLOCKED-VENT, 250 DEG. OPEN, 2 WIRE, FOR 75 MBH UNITS |
| SCR00769 | 2 | 1 | SCREW; #8, PHILIPS PAN HEAD,1/2 IN. LG. |
| SCR00769 | 3 | 1 | SCREW; #8, PHILIPS PAN HEAD,1/2 IN. LG. |
| SCR01379 | 4 | 1 | SCREW;SELF-TAPPING, #10-1/2 |
| SCR01379 | 6 | 1 | SCREW;SELF-TAPPING, #10-1/2 |
| BAF00661 | 7 | 1 | BAFFLE; AIR |
| SCR00769 | 8 | 1 | SCREW; #8, PHILIPS PAN HEAD,1/2 IN. LG. |
| SCR00769 | 9 | 1 | SCREW; #8, PHILIPS PAN HEAD,1/2 IN. LG. |
| SCR01379 | 10 | 1 | SCREW;SELF-TAPPING, #10-1/2 |

BURNER DRAWER ASSEMBLY

75000382

REV
A



| Part No. | Reference No. | Quantity | Description |
|---------------------------|---------------|----------|-----------------------------------|
| 75000382_GDNDUP2_113294~P | * | | BURNER DRAWER ASSEMBLY PARTS LIST |

BURNER DRAWER ASSEMBLY

75000382

REV
A



Parts List Number :GDND2001#GDNDUP2

Model Number :GLND010ADG2000

| Part No. | Reference No. | Quantity | Description |
|-----------------|----------------------|-----------------|--------------------------------------|
| CAS00225 | 1 | 1 | CASING;(BURNER DRAWER), LESS BURNERS |
| SHT00034 | 2 | 8 | SHUTTER; AIR |

BURNER DRAWER ASSEMBLY

75000382

REV
A

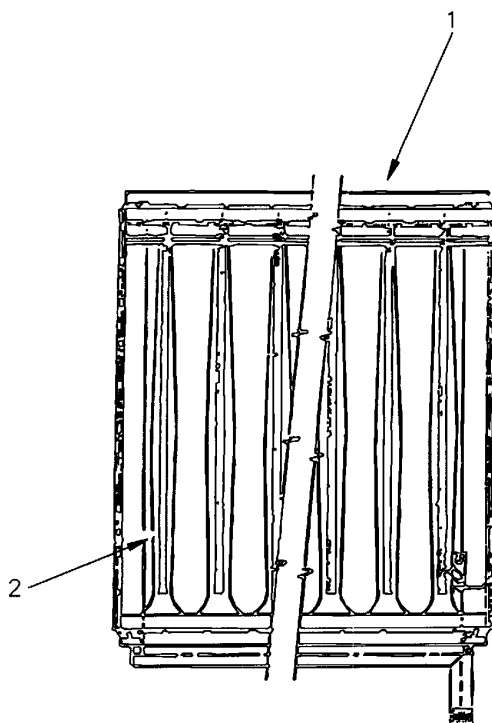


| Part No. | Reference No. | Quantity | Description |
|---------------------------|---------------|----------|-----------------------------------|
| 75000382_GDNDUP2_113294~P | * | | BURNER DRAWER ASSEMBLY PARTS LIST |

BURNER DRAWER ASSEMBLY

75000382

REV
A



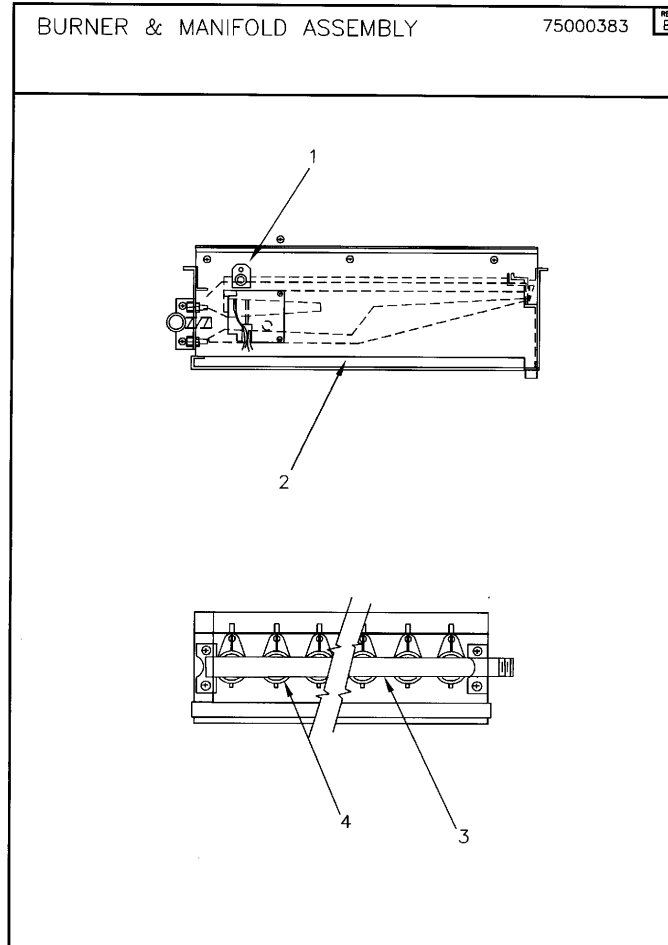
Parts List Number :GDND2001#GDNDUP2

Model Number :GLND010ADG2000

| Part No. | Reference No. | Quantity | Description |
|-----------------|----------------------|-----------------|--------------------------------------|
| CAS00225 | 1 | 1 | CASING;(BURNER DRAWER), LESS BURNERS |
| SHT00034 | 2 | 8 | SHUTTER; AIR |



| Part No. | Reference No. | Quantity | Description |
|---------------------------|---------------|----------|---------------------------------------|
| 75000383_GDNDUP2_200724~P | * | | BURNER & MANIFOLD ASSEMBLY PARTS LIST |



Parts List Number :GDND2001#GDNDUP2

Model Number :GLND010ADG2000

| Part No. | Reference No. | Quantity | Description |
|-----------------|----------------------|-----------------|-----------------------|
| COV01808 | 1 | 1 | COVER;PEEP HOLE |
| PNN00693 | 2 | 1 | PANEL; BOTTOM SERVICE |

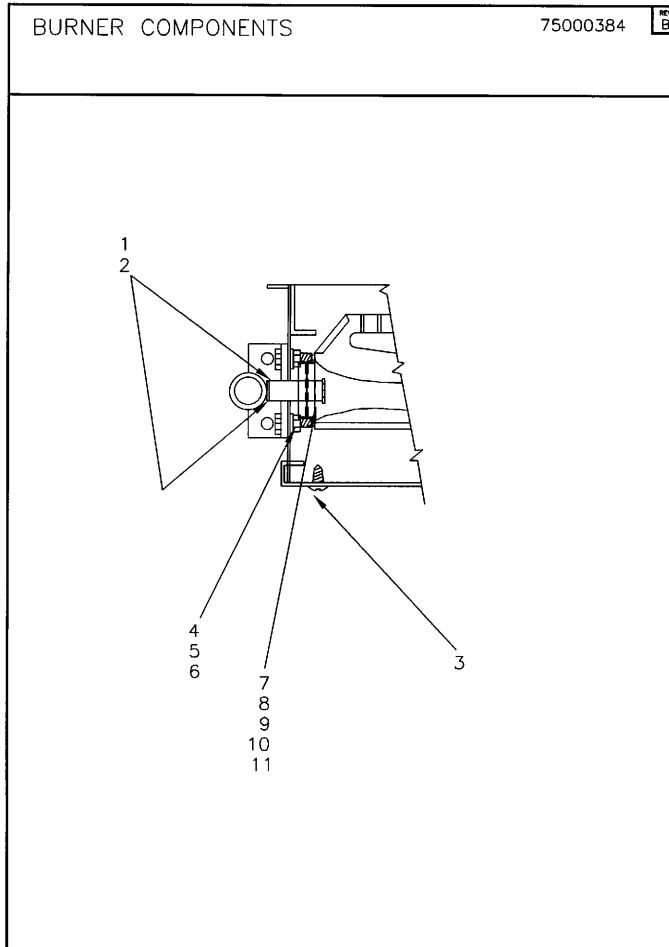


BURNER COMPONENTS

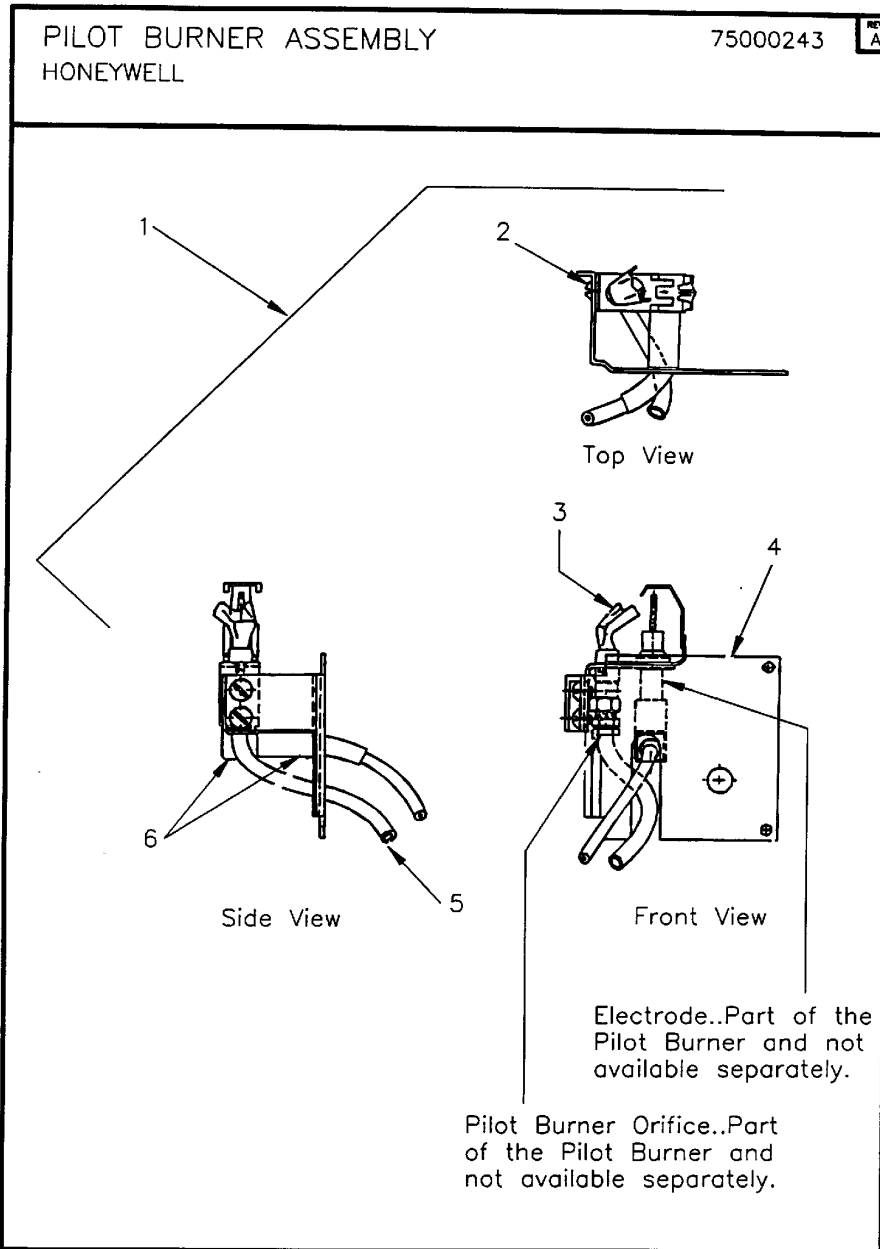
Parts List Number :GDND2001#GDNDUP2

Model Number :GLND010ADG2000

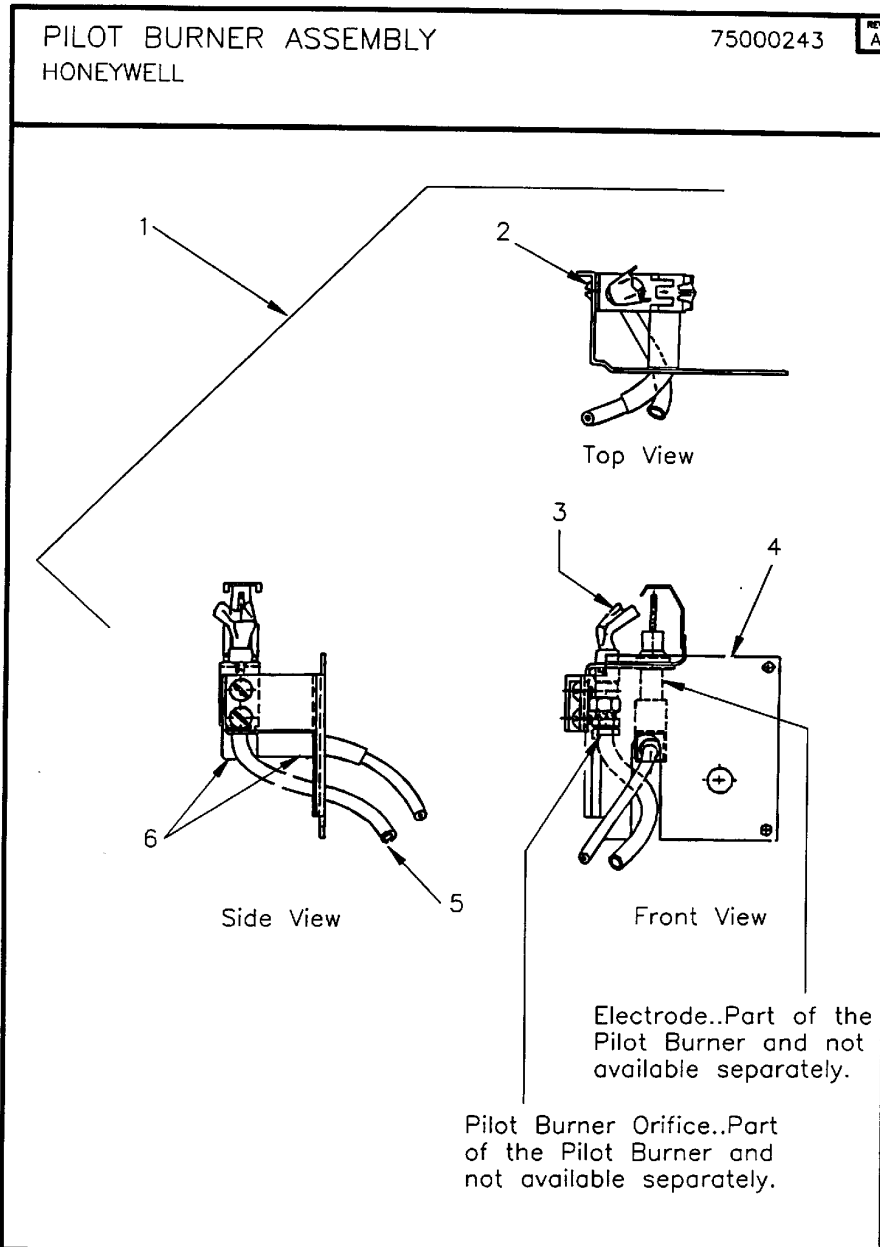
| Part No. | Reference No. | Quantity | Description |
|---------------------------|---------------|----------|------------------------------|
| 75000384_GDNDUP2_200725~P | * | | BURNER COMPONENTS PARTS LIST |

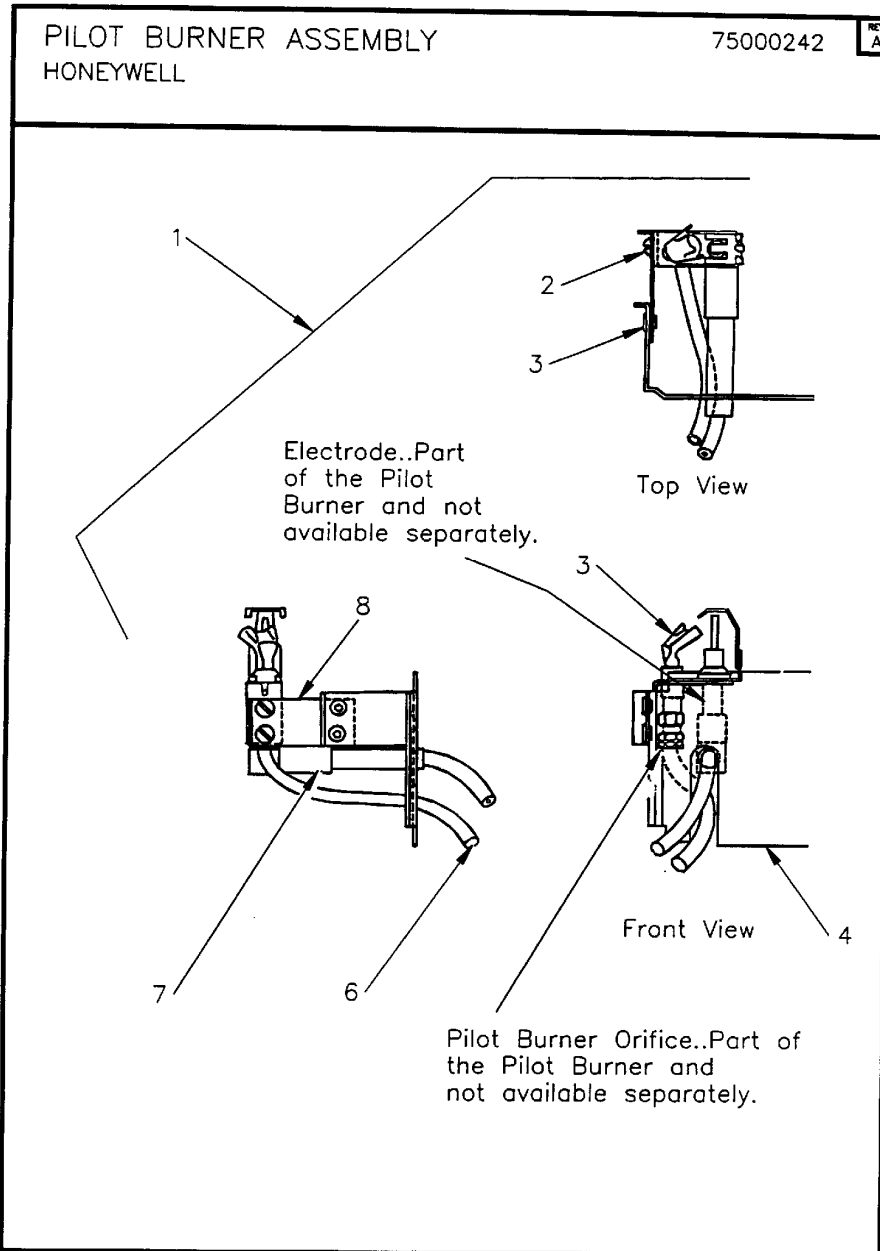


| Part No. | Reference No. | Quantity | Description |
|-----------------|----------------------|-----------------|---|
| SPG00249 | 1 | 4 | SPRING;BURNER, ORDER QTY.SHOULD BE PCS |
| HLD00116 | 2 | 4 | HOLDER; ORIFICE |
| SCR00964 | 3 | 5 | SCREW; #8, 1/2 IN. LG. SELF TAPPING |
| BLT00183 | 4 | 4 | BOLT; HEX HEAD |
| NUT00518 | 5 | 4 | NUT; HEX HEAD |
| WAS00671 | 6 | 4 | WASHER; LOCK, 5/16 NOMINAL SIZE, .321 ID, .586 OD |

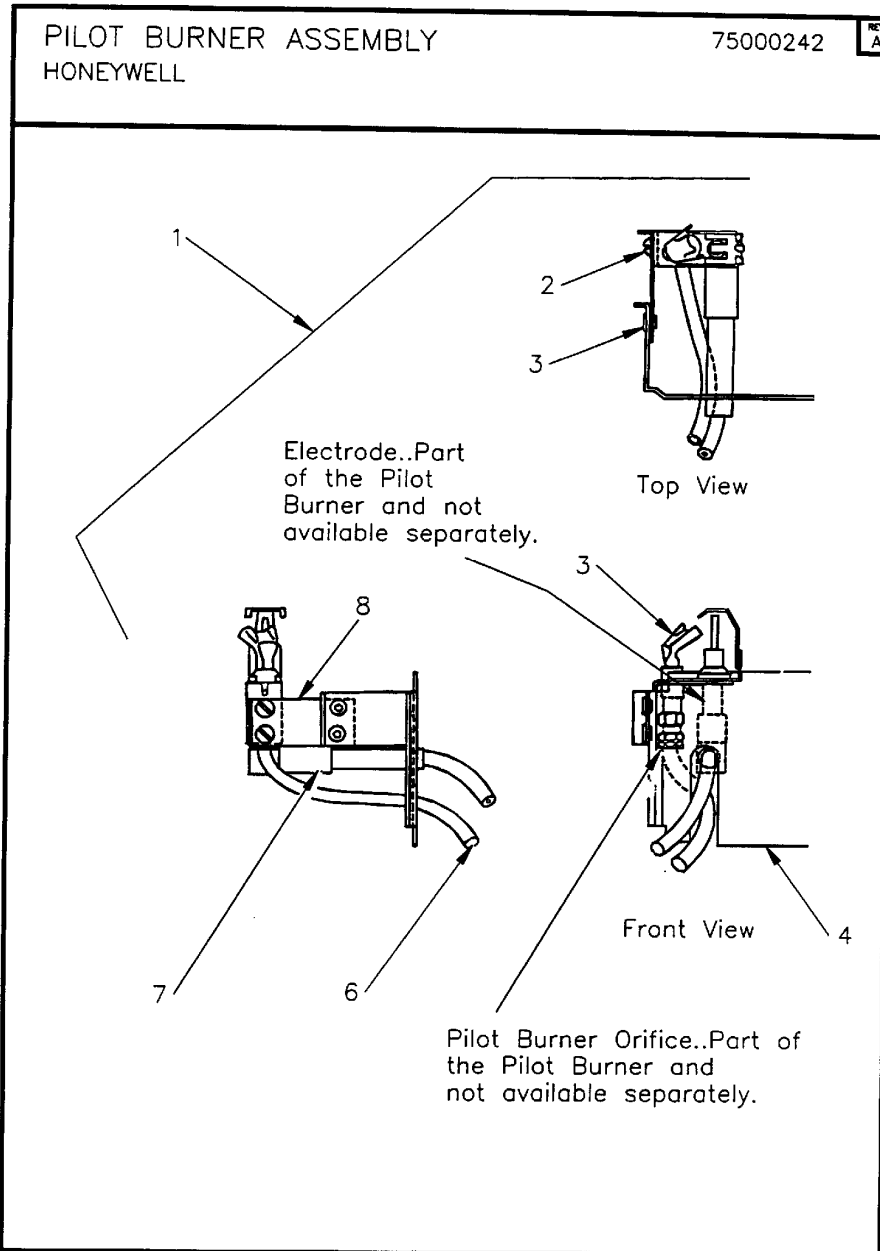


| Part No. | Reference No. | Quantity | Description |
|---------------------------|---------------|----------|---|
| 75000243_GDNDUP2_113279~P | * | | PILOT BURNER ASSEMBLY, HONEYWELL PARTS LIST |

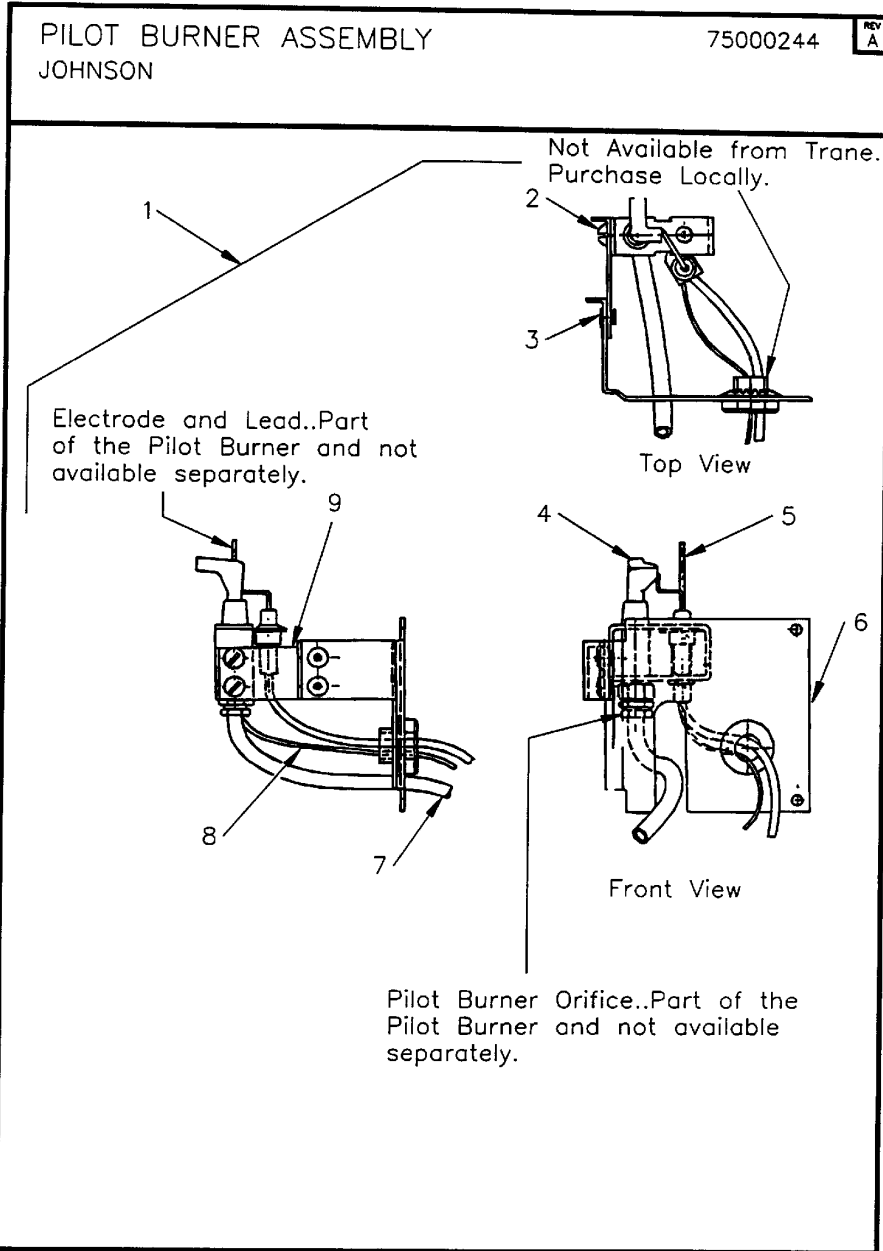




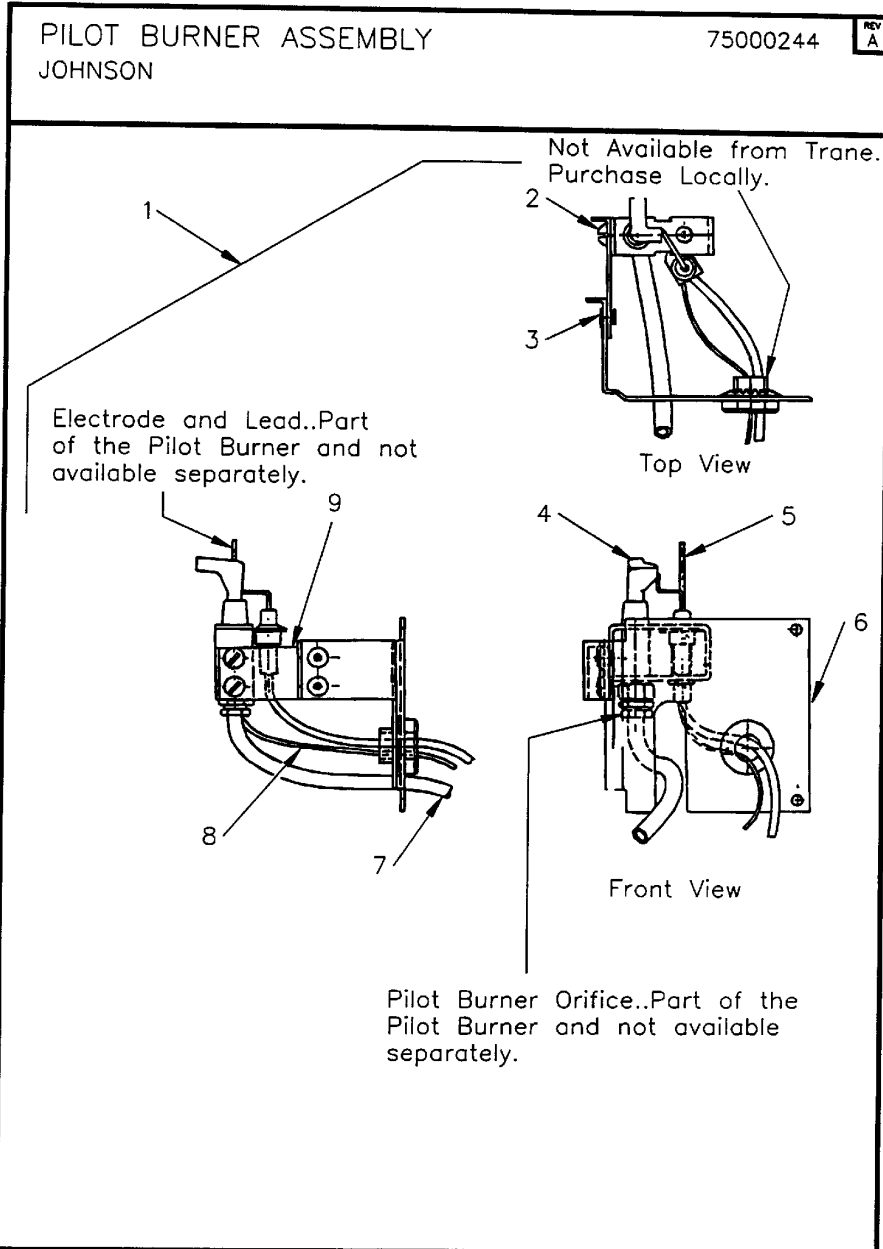
| Part No. | Reference No. | Quantity | Description |
|---------------------------|---------------|----------|---|
| 75000242_GDNDUP2_113275~P | * | | PILOT BURNER ASSEMBLY, HONEYWELL PARTS LIST |



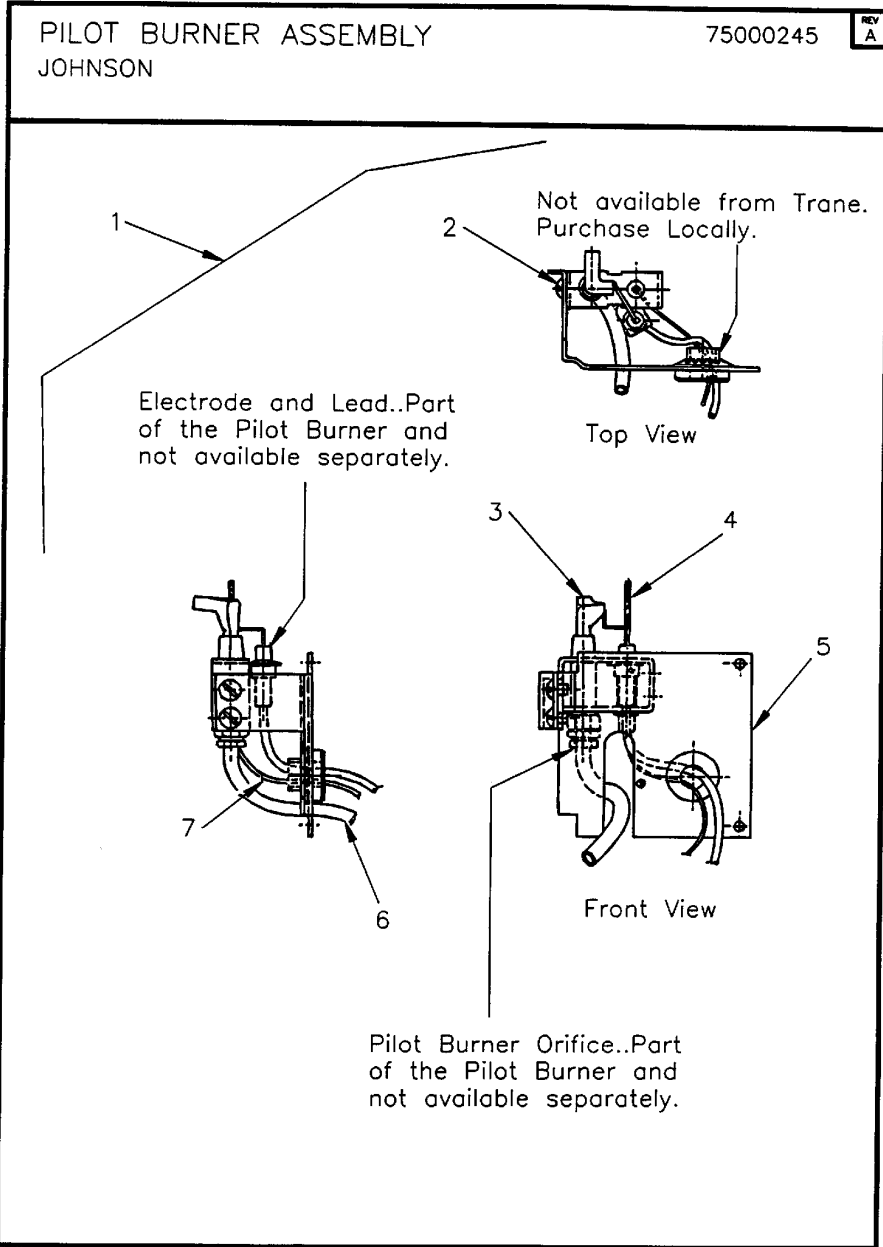
| Part No. | Reference No. | Quantity | Description |
|----------|---------------|----------|--|
| PIT00082 | 1 | 1 | PILOT; BURNER COMPLETE ASSEMBY, SPARK IGN. NATURAL GAS, 100/125, HONEYWELL |
| PIT00226 | 1 | 1 | PILOT; NATURAL GAS ASSEMBLY, L.H. SPARK IGN., 100/125 |
| SCR01120 | 2 | 2 | SCREW; SLOTTED ROUND HEAD MACHINE, #10-32, 3/16 LENGTH |
| RIV00055 | 3 | 2 | RIVET;POP |
| PIT00068 | 4 | 1 | PILOT; NATURAL GAS, BURNER, R.H. ELECTRIC IGNITION |
| PIT00224 | 4 | 1 | PILOT; BURNER L.H., ELECTRIC IGNITION, NAT. GAS |
| BRK01004 | 5 | 1 | BRACKET; PILOT BURNER |
| TUB02033 | 6 | 1 | TUBE;PILOT BURNER,24IN.ALUMINUM,1/4IN.OD |
| LED00321 | 7 | 1 | LEAD;36IN.HI-TEMP IGNITION CABLE W/CERAMIC BOOT |
| BRK01005 | 8 | 1 | BRACKET; PILOT BURNER EXTENSION (EXTENDS BRK1004) |



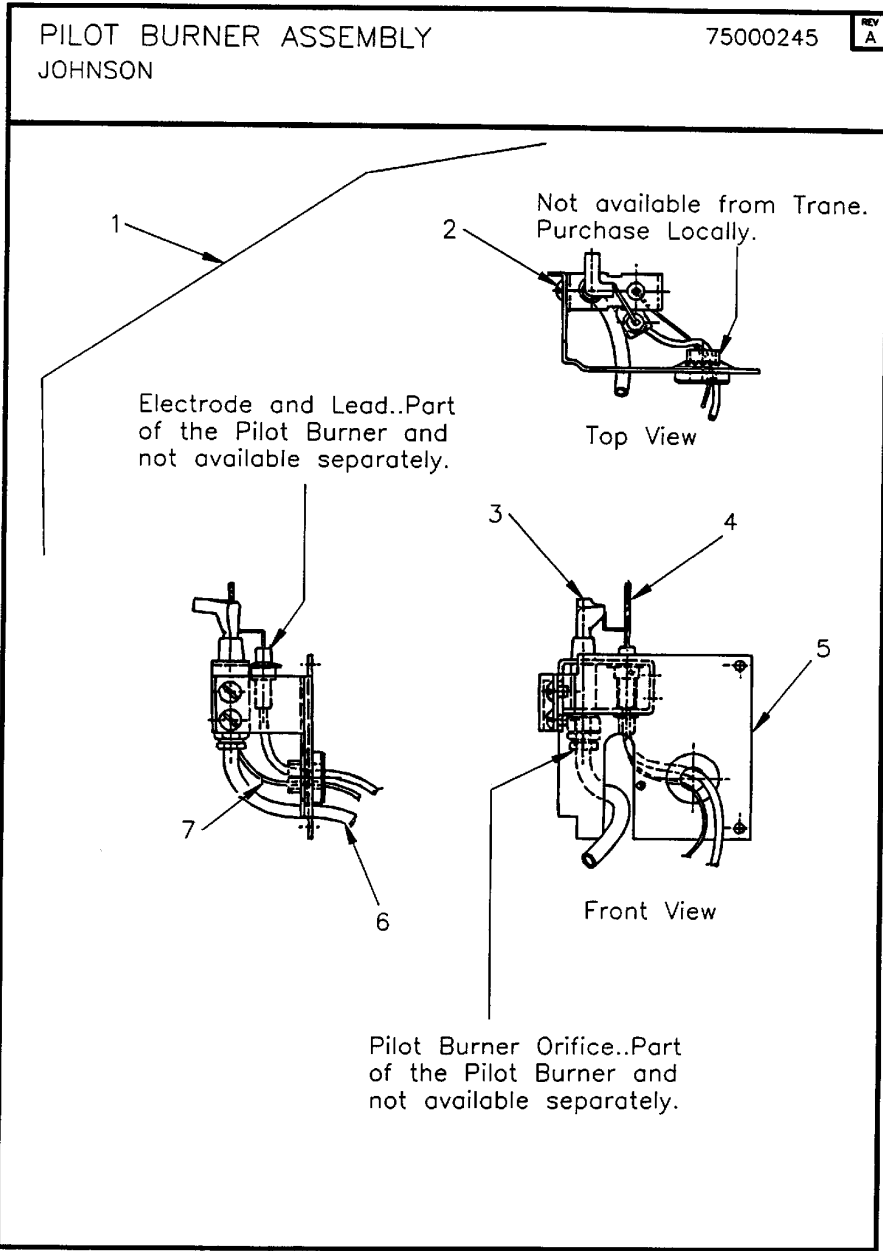
| Part No. | Reference No. | Quantity | Description |
|---------------------------|---------------|----------|---|
| 75000244_GDNDUP2_113281~P | * | | PILOT BURNER ASSEMBLY, JOHNSON PARTS LIST |



| Part No. | Reference No. | Quantity | Description |
|----------|---------------|----------|--|
| PIT00086 | 1 | 1 | PILOT; NATURAL GAS, BURNER ASSEMBLY, INTERMITTENT, 100/125 |
| SCR01120 | 2 | 2 | SCREW; SLOTTED ROUND HEAD MACHINE, #10-32, 3/16 LENGTH |
| RIV00055 | 3 | 2 | RIVET;POP |
| PIT00026 | 4 | 1 | PILOT;BURNER,NATURAL R.H, ELECTRONIC IGNITION |
| SEN00073 | 5 | 1 | SENSOR;FLAME |
| BRK01004 | 6 | 1 | BRACKET; PILOT BURNER |
| TUB02033 | 7 | 1 | TUBE;PILOT BURNER,24IN.ALUMINUM,1/4IN.OD |
| LED00284 | 8 | 1 | LEAD; SENSING, 58" |
| BRK01005 | 9 | 1 | BRACKET; PILOT BURNER EXTENSION (EXTENDS BRK1004) |



| Part No. | Reference No. | Quantity | Description |
|---------------------------|---------------|----------|---|
| 75000245_GDNDUP2_105073~P | * | | PILOT BURNER ASSEMBLY, JOHNSON PARTS LIST |



| Part No. | Reference No. | Quantity | Description |
|-------------------------------|---------------|----------|-------------------------------|
| GDND2002_GDNDUP2_112196~ P | * | | GAS VALVE, NATURAL PARTS LIST |

NO GRAPHIC AVAILABLE

75013702

REV
A

**NO
GRAPHIC
AVAILABLE**

| Part No. | Reference No. | Quantity | Description |
|-----------------|----------------------|-----------------|--|
| VAL03933 | 1 | 1 | VALVE;GAS,SPARK IGNITION 1/2 X 3/4, 1 STAGE NOTE: IF 9TH DIGIT OF THE MODEL NUMBER IS AN E USE VAL2117 (TWO STAGE GAS VALVE) |
| VAL04153 | 1 | 1 | VALVE; GAS-NAT, 1/2 X 1/2 |



IGNITION CONTROLS

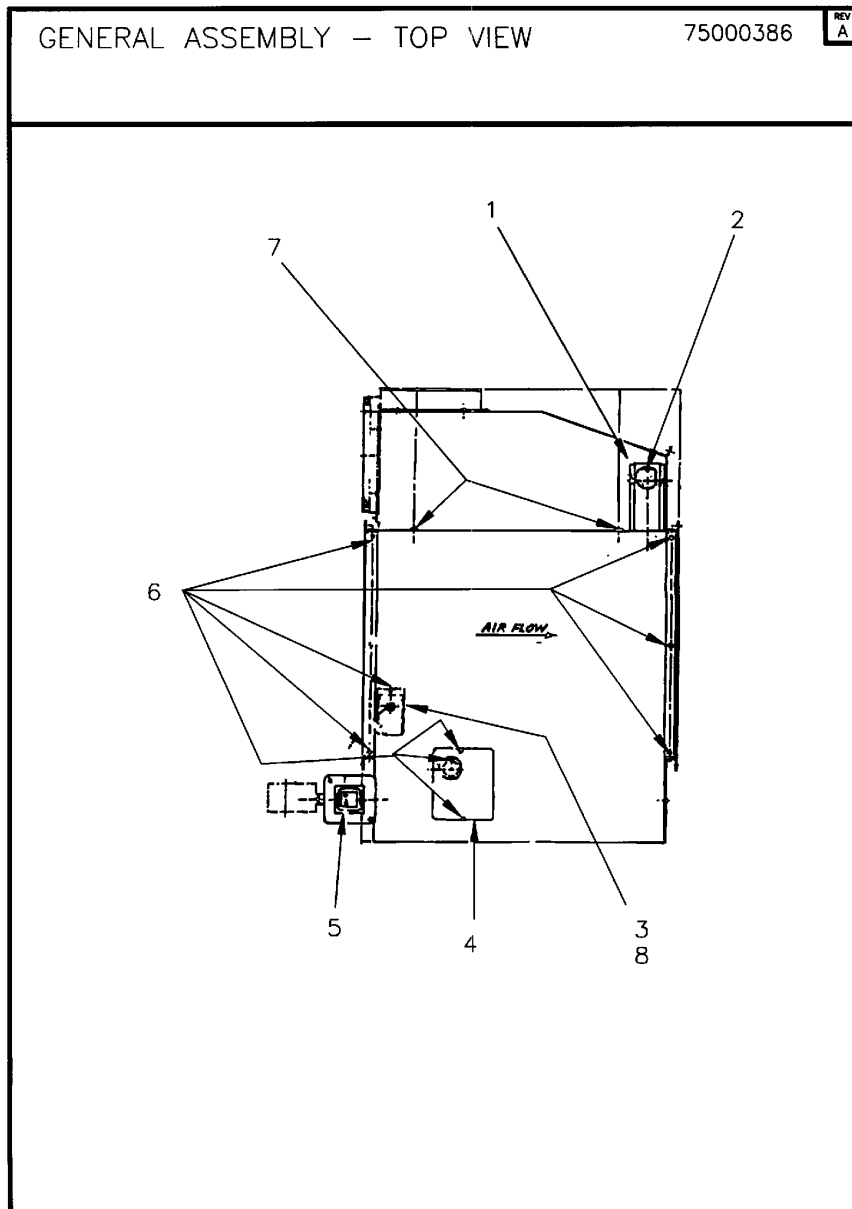
Parts List Number :GDND2001#GDNDUP2

Model Number :GLND010ADG2000

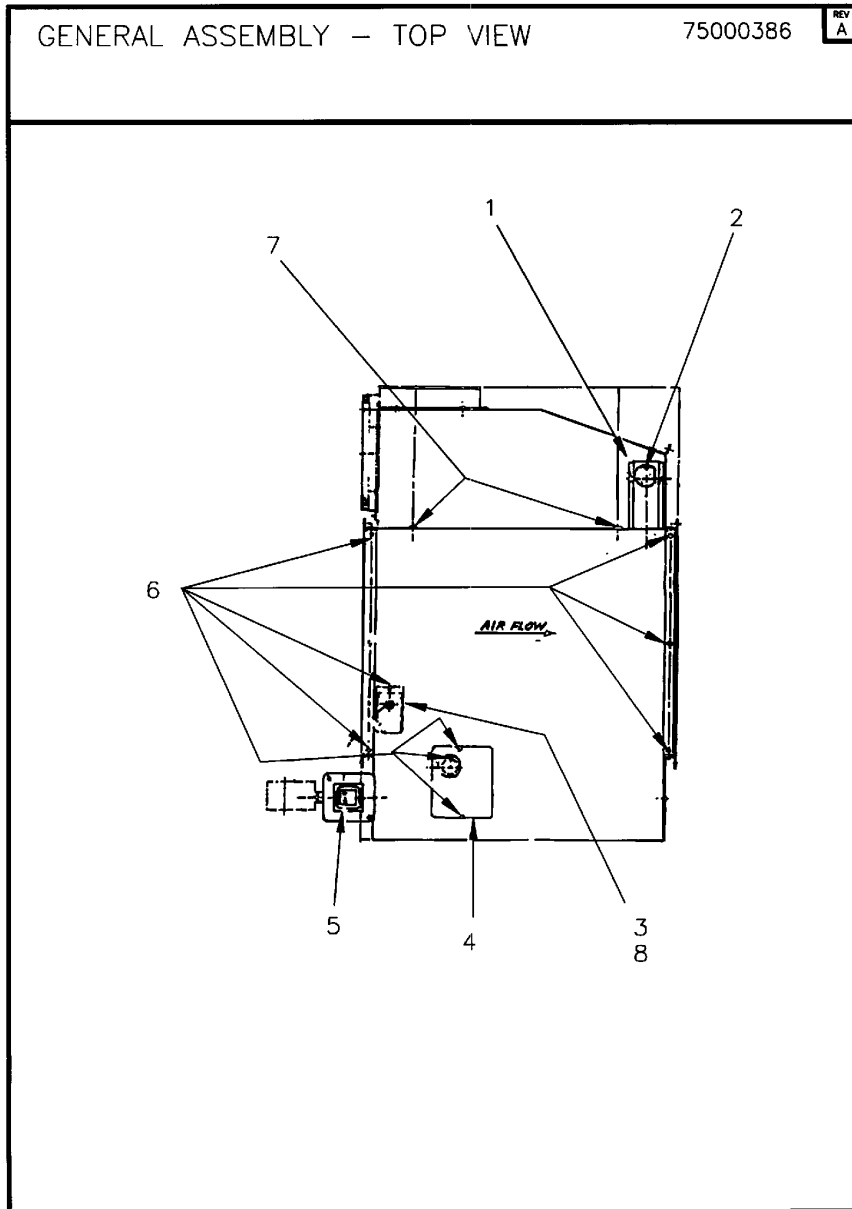
| Part No. | Reference No. | Quantity | Description |
|---------------------------|---------------|----------|------------------------------|
| 75000385_GDNDUP2_105091~P | * | | IGNITION CONTROLS PARTS LIST |



| Part No. | Reference No. | Quantity | Description |
|-----------------|----------------------|-----------------|---|
| CNT01318 | 1 | 1 | CONTROL, IGNITION NATURAL GAS(HONEYWELL) |
| CNT01466 | 2 | 1 | CONTROL; IGNITOR, CONTINUOUS RETRY 100 PERCENT SHUTOFF IP |
| CNT01241 | 3 | 1 | CONTROL, IGNITION MODULE 90 SEC. MAX. LOCKOUT |
| CNT01012 | 4 | 1 | CONTROL; SPARK IGNITION |
| CNT01190 | 5 | 1 | CONTROL, IGNITION, W/LOCKOUT |
| CNT01467 | 6 | 1 | CONTROL; IGNITOR |



| Part No. | Reference No. | Quantity | Description |
|---------------------------|---------------|----------|---------------------------------------|
| 75000386_GDNDUP2_113308~P | * | | GENERAL ASSEMBLY, TOP VIEW PARTS LIST |



Parts List Number :GDND2001#GDNDUP2

Model Number :GLND010ADG2000

| Part No. | Reference No. | Quantity | Description |
|-----------------|----------------------|-----------------|--|
| COV01809 | 1 | 1 | COVER;BLOCKED VENT SWITCH |
| SCR00964 | 2 | 1 | SCREW; #8, 1/2 IN. LG. SELF TAPPING |
| SWT01429 | 3 | 1 | SWITCH, PRIMARY HIGH LIMIT, HL1, ON THE INLET, 3 PRONG |
| SWT01430 | 3 | 1 | SWITCH; HIGH LIMIT (DUCT ONLY), 2 PRONG |
| DOR00396 | 4 | 1 | DOOR; PILOT SIDE ACCESS |
| TRR00465 | 5 | 1 | TRANSFORMER; 40VA,115-120V PRI., 24V SEC. |
| SCR00964 | 6 | 9 | SCREW; #8, 1/2 IN. LG. SELF TAPPING |
| RTR00096 | 7 | 2 | RETAINER, NUT |
| DOR00735 | 8 | 1 | DOOR;HIGH LIMIT ACCESS |

| Part No. | Reference No. | Quantity | Description |
|---------------------------|---------------|----------|--|
| 75000387_GDNDUP2_113313~P | * | | GENERAL ASSEMBLY, SIDE VIEW PARTS LIST |

NO GRAPHIC AVAILABLE

75013702

REV
A

**NO
GRAPHIC
AVAILABLE**

Parts List Number :GDND2001#GDNDUP2

Model Number :GLND010ADG2000

| Part No. | Reference No. | Quantity | Description |
|-----------------|----------------------|-----------------|--|
| PNN03643 | 1 | 1 | PANEL;OUTSIDE JACKET LH OR RH |
| PNN03645 | 2 | 1 | PANEL;LOWER FRONT TRIM 100 |
| PNN03644 | 3 | 1 | PANEL; OUTSIDE JACKET, WITH CUTOUTS FOR PILOT RELAY ETC... RH |

| Part No. | Reference No. | Quantity | Description |
|---------------------------|---------------|----------|--------------------------------|
| 75000388_GDNDUP2_105978~P | * | | POWER VENT ASSEMBLY PARTS LIST |

NO GRAPHIC AVAILABLE

75013702

REV
A

**NO
GRAPHIC
AVAILABLE**

| Part No. | Reference No. | Quantity | Description |
|----------|---------------|----------|--|
| SCR00769 | 1 | 2 | SCREW; #8, PHILIPS PAN HEAD,1/2 IN. LG. |
| BRK00947 | 2 | 1 | BRACKET; PRESSURE SWITCH MOUNTING |
| SCR00769 | 3 | 1 | SCREW; #8, PHILIPS PAN HEAD,1/2 IN. LG. |
| SWT00644 | 4 | 1 | SWITCH;CONTROL, PRESSURE, .40 IN WC |
| FLU00075 | 5 | 1 | FLUE; VENT |
| SCR00769 | 6 | 1 | SCREW; #8, PHILIPS PAN HEAD,1/2 IN. LG. |
| HUS01380 | 7 | 1 | HOUSING;POWER VENT BLOWER |
| WHL00509 | 8 | 1 | WHEEL; DRAFTOR |
| PLT01122 | 9 | 1 | PLATE; ADAPTER FOR POWER VENT ASSEMBLY |
| SCR00769 | 10 | 5 | SCREW; #8, PHILIPS PAN HEAD,1/2 IN. LG. |
| RLY00978 | 11 | 1 | RELAY; POWER CONTROL, 24V COIL, DPST, 12 AMP AT 125V |
| BRK00948 | 12 | 1 | BRACKET;JUNCTION BOX MOUNTING |
| MOT02690 | 13 | 1 | MOTOR, POWER VENT(INDUCER), 1/20 HP, 115/60, 1.5 AMPS, 2 POLE, |
| COV01241 | 14 | 1 | COVER; PRESSURE SWITCH BRACKET |

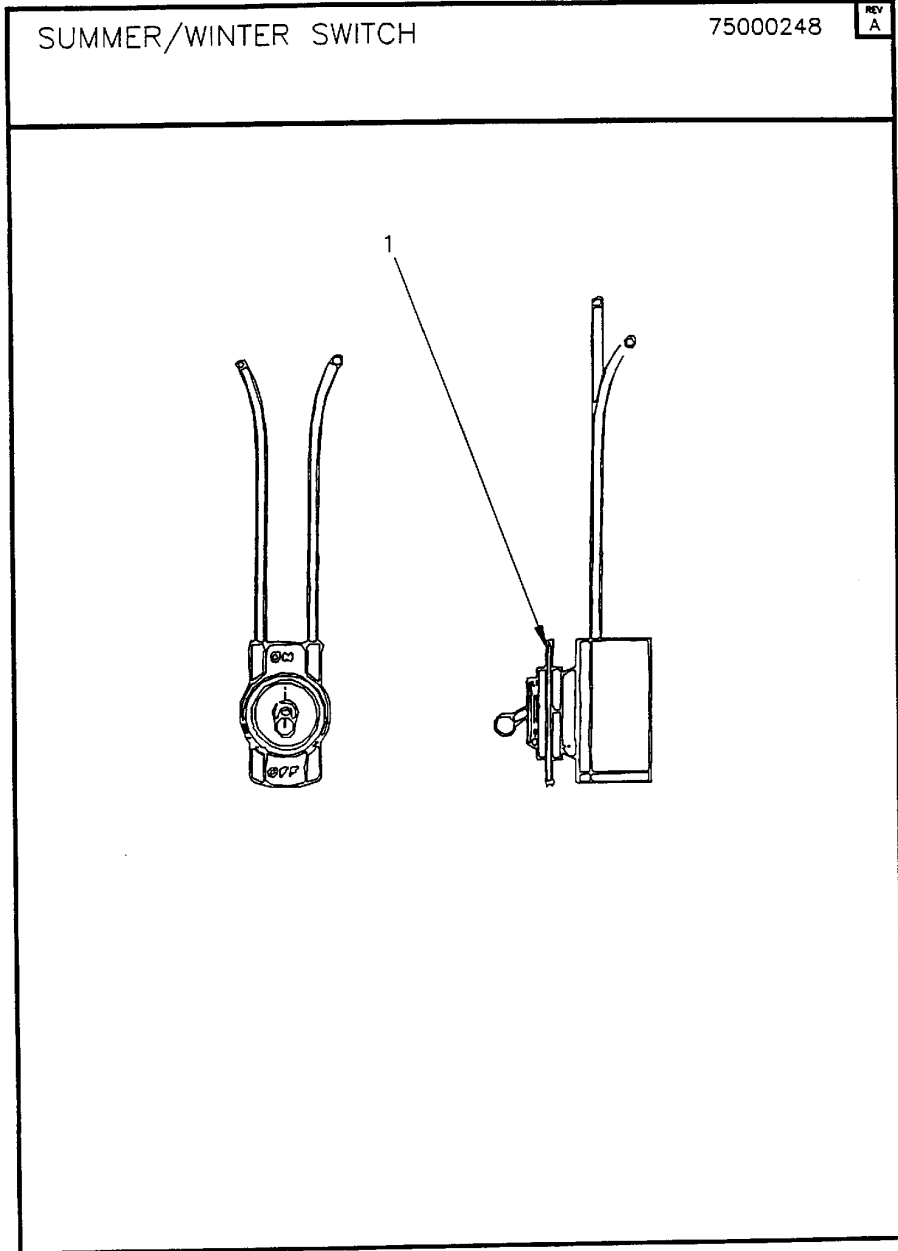
| Part No. | Reference No. | Quantity | Description |
|---------------------------|---------------|----------|-----------------------------|
| 75000373_GDNDUP2_105960~P | * | | TIME DELAY RELAY PARTS LIST |

NO GRAPHIC AVAILABLE

75013702

REV
A

**NO
GRAPHIC
AVAILABLE**



| Part No. | Reference No. | Quantity | Description |
|---------------------------|---------------|----------|---------------------------------|
| 75000248_GDNDUP2_105074~P | * | | SUMMER/WINTER SWITCH PARTS LIST |



| Part No. | Reference No. | Quantity | Description |
|-------------------------------|---------------|----------|---|
| GDND2016_GDNDUP2_112198~ P | * | | CANADIAN / STANDARD VENT CAP & ADAPTER PARTS LIST |

NO GRAPHIC AVAILABLE

75013702

REV
A

**NO
GRAPHIC
AVAILABLE**

Parts List Number :GDND2001#GDNDUP2

Model Number :GLND010ADG2000

| Part No. | Reference No. | Quantity | Description |
|-----------------|----------------------|-----------------|--------------------|
| ADP00489 | * | 1 | ADAPTER; |
| CAP00548 | * | 1 | CAP; 4 INCH VENT |

| MODEL NUMBER DESCRIPTION | | 75000093 | REV F |
|--|--|----------|----------|
| Indoor Gas Heating Units | | | |
| Digit 1 — Gas Heating Equipment | Digit 12 — Rooftop Arrangements | | |
| Digit 2 — Unit Type | 0 = None (Indoor Unit) | | |
| P = Propeller Fan Unit Heater | S = Special | | |
| B = High Efficiency Centrifugal Fan Unit Heater | Digit 13 — Rooftop Heating Unit | | |
| C = Centrifugal Fan Unit Heater | Motor Selection | | |
| D = Indoor Duct Furnace | S = Special | | |
| L = High Eff. Indoor Duct Furnace | 0 = None (Indoor Unit & Rooftop Duct Furnace) | | |
| H = High Efficiency Propeller Fan U.H. | Digit 14 — Rooftop Fan Section | | |
| E = Centrifugal Fan U.H. with Enclosure | 0 = None (Indoor Unit & Rooftop Duct Furnace) | | |
| S = Special | S = Special | | |
| Digit 3 — Fuel | Digit 15 — Miscellaneous Options | | |
| N = Natural Gas | All Units | | |
| P = LP Gas (Propane) | 0 = None | | |
| S = Special | A = #409 Stainless Steel Burners (see note 2) | | |
| Digit 4 — Design Sequence | B = Orifices for Elevation Above 2000 Feet | | |
| F = Sixth Generation etc | (Specify Elevation) | | |
| Digit 5,6,7 — Input Capacity | S = Special | | |
| Single Furnace | Propeller Fan Unit Heater (Std., HI-Effic. & Sep. Comb.) | | |
| 003 = 30 MBh | C = #409 Stainless Steel Draft Diverter | | |
| 004 = 45 MBh | D = Summer-Winter Switch | | |
| 005 = 50 MBh | E = Vertical Louvers | | |
| 006 = 60 MBh | J = Totally Enclosed Motor | | |
| 007 = 75 MBh | 7 = OSHA Fan Guard | | |
| 010 = 100 MBh | 017 = 175 MBh | | |
| 012 = 125 MBh | 020 = 200 MBh | | |
| 015 = 150 MBh | 022 = 225 MBh | | |
| | 025 = 250 MBh | | |
| | 030 = 300 MBh | | |
| | 035 = 350 MBh | | |
| | 040 = 400 MBh | | |
| Digit 8 — Main Power Supply | Centrifugal Fan Unit Heater (Std., HI-Effic. & Sep. Comb.) | | |
| A = 115/60/1 | C = #409 Stainless Steel Draft Diverter | | |
| B = 230/60/1 | D = Summer-Winter Switch | | |
| C = 208/60/3 | E = Vertical Louvers | | |
| D = 230/60/3 | H = Duct Discharge Flange | | |
| E = 460/60/3 | J = Totally Enclosed Motor | | |
| F = 575/60/3 | Duct Furnace (Indoor)(Std. or HI-Eff.) | | |
| S = Special | C = #409 Stainless Steel Draft Diverter | | |
| Digit 9 — Gas Control Option | D = Summer-Winter Switch | | |
| A = Single-Stage, Standing Pilot | F = Horizontal Louvers | | |
| B = Two Stage, Standing Pilot | G = Horizontal & Vert. Louvers | | |
| C = Hydraulic Modulating, Standing Pilot * | K = Side Access Burner Drawer (Left Hand) * | | |
| D = Single-Stage, Intermittent Pilot Ignition | L = Fan Time Delay Control | | |
| E = Two-Stage, Intermittent Pilot Ignition | M = Side Access Burner Drawer (Right Hand) * | | |
| F = Hydraulic Modulating, Inter. Pilot, 60-100 Deg.* | Separated Combustion Indoor Duct Furnace | | |
| G = Hydraulic Mod.w/Bypass, Inter. Pilot 60-100 Deg. | C = #409 Stainless Steel Draft Diverter | | |
| H = Elec. Mod. W/Room Stat, Intermittent Pilot Ign. | D = Summer-Winter Switch | | |
| J = Elec. Mod. W/Duct Stat, Intermittent Pilot Ign. | F = Horizontal Louvers | | |
| L = Elec. Mod. W/External 4-20 mA Input | G = Horizontal & Vertical Louvers | | |
| N = Elec. Mod. W/External 0-10 VDC Input | Tubular Heat Exchanger, Propeller Type | | |
| P = Hydraulic Mod., Intermittent Pilot 75-150 Deg. | J = Totally Enclosed Motor | | |
| R = Hydraulic Mod.w/Bypass, Inter.Pilot 75-150 Deg. | 7 = OSHA Fan Guard | | |
| S = Special | | | |
| *Specify discharge temperature | | | |
| Digit 10 — Design Sequence | Notes: | | |
| D = Forth Design | 1. Available on the tubular sizes 100-40 only. | | |
| Digit 11 — Heat Exchanger Material | 2. Not available for tubular. | | |
| 1 = Aluminized Steel | *Opt.M & K are determined by facing the air outlet side of the duct furnace. | | |
| 2 = #409 Stainless Steel (see note 1) | | | |
| 3 = #321 Stainless Steel (see note 2) | | | |
| S = Special | | | |

| Part No. | Reference No. | Quantity | Description |
|---------------------------|---------------|----------|-------------------------------------|
| 75000093_GDNDUP2_105069~P | * | | MODEL NUMBER DESCRIPTION PARTS LIST |

| MODEL NUMBER DESCRIPTION | | 75000093 | REV F |
|--|--|----------|----------|
| Indoor Gas Heating Units | | | |
| Digit 1 — Gas Heating Equipment | Digit 12 — Rooftop Arrangements | | |
| Digit 2 — Unit Type | 0 = None (Indoor Unit) | | |
| P = Propeller Fan Unit Heater | S = Special | | |
| B = High Efficiency Centrifugal Fan Unit Heater | Digit 13 — Rooftop Heating Unit | | |
| C = Centrifugal Fan Unit Heater | Motor Selection | | |
| D = Indoor Duct Furnace | S = Special | | |
| L = High Eff. Indoor Duct Furnace | 0 = None (Indoor Unit & Rooftop Duct Furnace) | | |
| H = High Efficiency Propeller Fan U.H. | Digit 14 — Rooftop Fan Section | | |
| E = Centrifugal Fan U.H. with Enclosure | 0 = None (Indoor Unit & Rooftop Duct Furnace) | | |
| S = Special | S = Special | | |
| Digit 3 — Fuel | Digit 15 — Miscellaneous Options | | |
| N = Natural Gas | All Units | | |
| P = LP Gas (Propane) | 0 = None | | |
| S = Special | A = #409 Stainless Steel Burners (see note 2) | | |
| Digit 4 — Design Sequence | B = Orifices for Elevation Above 2000 Feet | | |
| F = Sixth Generation etc | (Specify Elevation) | | |
| Digit 5,6,7 — Input Capacity | S = Special | | |
| Single Furnace | Propeller Fan Unit Heater (Std.,Hi-Effic.&Sep.Comb.) | | |
| 003 = 30 MBh 017 = 175 MBh | C = #409 Stainless Steel Draft Diverter | | |
| 004 = 45 MBh 020 = 200 MBh | D = Summer-Winter Switch | | |
| 005 = 50 MBh 022 = 225 MBh | E = Vertical Louvers | | |
| 006 = 60 MBh 025 = 250 MBh | J = Totally Enclosed Motor | | |
| 007 = 75 MBh 030 = 300 MBh | 7 = OSHA Fan Guard | | |
| 010 = 100 MBh 035 = 350 MBh | Centrifugal Fan Unit Heater (Std.,Hi-Effic.&Sep.Comb.) | | |
| 012 = 125 MBh 040 = 400 MBh | C = #409 Stainless Steel Draft Diverter | | |
| 015 = 150 MBh | D = Summer-Winter Switch | | |
| Digit 8 — Main Power Supply | E = Vertical Louvers | | |
| A = 115/60/1 | H = Duct Discharge Flange | | |
| B = 230/60/1 | J = Totally Enclosed Motor | | |
| C = 208/60/3 | Duct Furnace (Indoor)(Std. or Hi-Eff.) | | |
| D = 230/60/3 | C = #409 Stainless Steel Draft Diverter | | |
| E = 460/60/3 | D = Summer-Winter Switch | | |
| F = 575/60/3 | F = Horizontal Louvers | | |
| S = Special | G = Horizontal & Vert. Louvers | | |
| Digit 9 — Gas Control Option | K = Side Access Burner Drawer (Left Hand) * | | |
| A = Single-Stage, Standing Pilot | L = Fan Time Delay Control | | |
| B = Two Stage, Standing Pilot | M = Side Access Burner Drawer (Right Hand) * | | |
| C = Hydraulic Modulating, Standing Pilot * | Separated Combustion Indoor Duct Furnace | | |
| D = Single-Stage, Intermittent Pilot Ignition | C = #409 Stainless Steel Draft Diverter | | |
| E = Two-Stage, Intermittent Pilot Ignition | D = Summer-Winter Switch | | |
| F = Hydraulic Modulating, Inter. Pilot, 60-100 Deg.* | F = Horizontal Louvers | | |
| G = Hydraulic Mod.w/Bypass, Inter. Pilot 60-100 Deg. | G = Horizontal & Vertical Louvers | | |
| H = Elec. Mod. W/Room Stat, Intermittent Pilot Ign. | Tubular Heat Exchanger, Propeller Type | | |
| J = Elec. Mod. W/Duct Stat, Intermittent Pilot Ign. | J = Totally Enclosed Motor | | |
| L = Elec. Mod. W/External 4-20 mA Input | 7 = OSHA Fan Guard | | |
| N = Elec. Mod. W/External 0-10 VDC Input | | | |
| P = Hydraulic Mod., Intermittent Pilot 75-150 Deg. | | | |
| R = Hydraulic Mod.w/Bypass, Inter.Pilot 75-150 Deg. | | | |
| S = Special | | | |
| *Specify discharge temperature | | | |
| Digit 10 — Design Sequence | Notes: | | |
| D = Forth Design | 1. Available on the tubular sizes 100-40 only. | | |
| Digit 11 — Heat Exchanger Material | 2. Not available for tubular. | | |
| 1 = Aluminized Steel | *Opt.M & K are determined by facing the air | | |
| 2 = #409 Stainless Steel (see note 1) | outlet side of the duct furnace. | | |
| 3 = #321 Stainless Steel (see note 2) | | | |
| S = Special | | | |

