

TABLE OF CONTENTS

75010359

REV
A

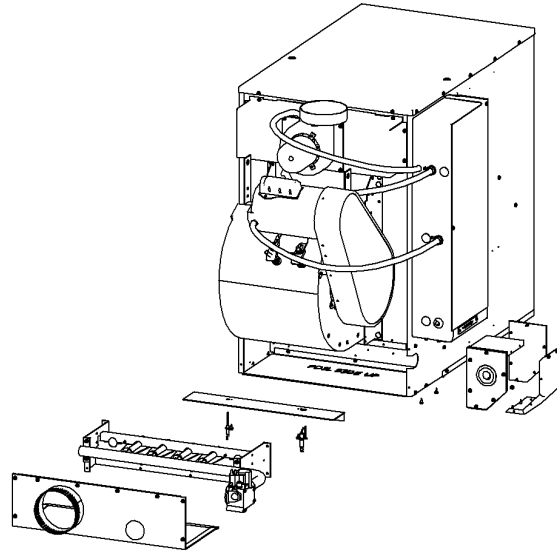


TABLE OF CONTENTS

SECTION 01	MODEL NOMENCLATURE
SECTION 02	HEAT EXCHANGERS
SECTION 03	MANIFOLD BURNER ASSEMBLY
SECTION 04	ELECTRICAL CONTROL BOX
SECTION 05	POWER VENTER, FLUE COLLECTOR & TURBULATORS
SECTION 06	BLOWER ASSEMBLY
SECTION 07	PANELS AND LOUVERS
SECTION 08	MAGNETIC STARTER PARTS
SECTION 09	GAS CONTROL PARTS
SECTION 10	FACTORY & FIELD INSTALLED OPTIONS, KITS & ADDITIONAL GKNE PARTS

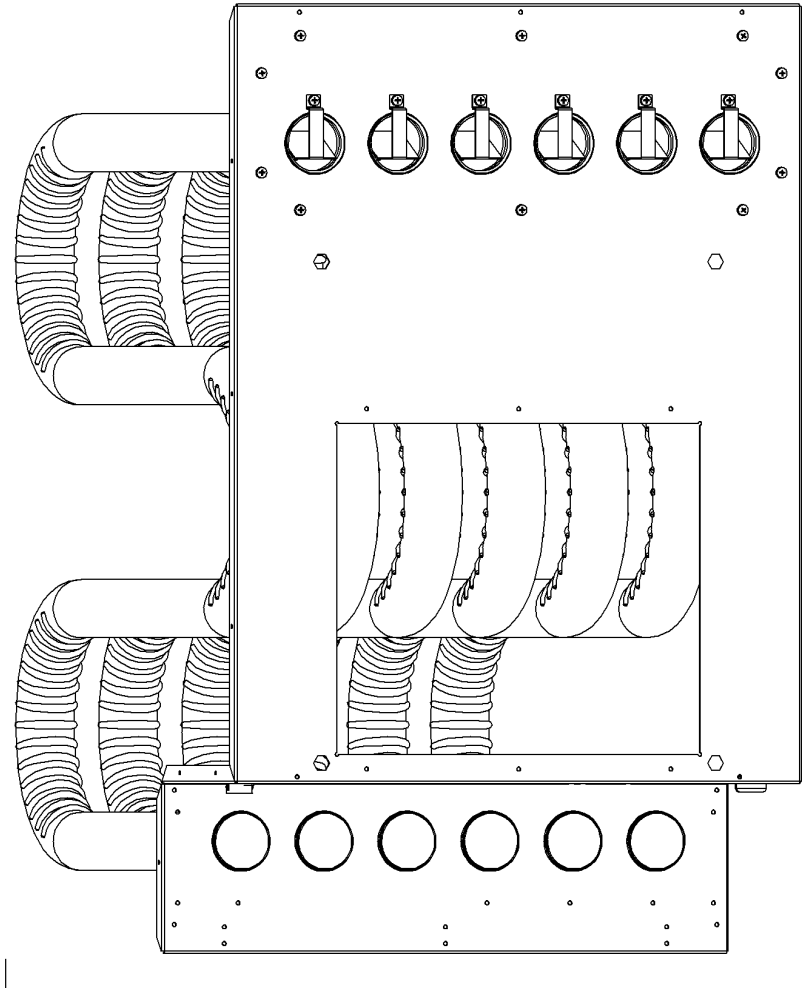
Part No.	Reference No.	Quantity	Description
75010350	SEC 01		MODEL NUMBER DESCRIPTION
75010353	SEC 02		HEAT EXCHANGERS (INCL TUBULATORS)
75010354	SEC 03		MANIFOLD BURNER ASSEMBLY
75010355	SEC 04		ELECTRICAL CONTROL BOX
75010356	SEC 05		POWER VENTER, FLUE COLLECTOR & TURBULATORS
75010357	SEC 06		BLOWER ASSEMBLY
75010358	SEC 07		PANELS AND LOUVERS
GKNE1000	SEC 08		MAGNETIC STARTER PARTS
GKNE1001	SEC 09		GAS CONTROL PARTS
75010360	SEC 10		FACTORY & FIELD INSTALLED OPTIONS, KITS & ADDITIONAL GKNE PARTS

MODEL NUMBER DESCRIPTION										75010350					REV A
Seperated Combustion Tubular Blower Gas Fired Unit Heaters															
	<u>G</u>	<u>K</u>	<u>N</u>	<u>E</u>	<u>0</u>	<u>2</u>	<u>0</u>	<u>A</u>	<u>T</u>	<u>A</u>	<u>1</u>	<u>0</u>	<u>0</u>	<u>0</u>	<u>J</u>
DIGIT	1	2	3	4	5	6	7	8	9	10	11	12	13	14	15
Digit 1 - Gas Heating Equipment	Digit 10 - Design Sequence														
G = Gas Heating	A = Forth Generation														
Digit 2 - Unit Type	Digit 11 - Heat Exchanger Material														
K = Separated Combustion Tubular Blower	1 = Standard Aluminized Steel														
S = Special	2 = #409 Stainless Steel														
Digit 3 - Fuel Type	S = Special														
N = Natural Gas	Digit 12 - Rooftop Arrangements														
P = LP Gas (Propane)	0 = None (Indoor Unit)														
S = Special	S = Special														
Digit 4 - Development Sequence	Digit 13 - Rooftop Heating Unit														
E = Fifth Generation	0 = Nant (Indoor Unit)Motor Selection														
Digit 5,6 & 7 - Input Capacity	S = Special														
010 = 100 MBh 025 = 250 MBh	Digit 14 - Rooftop Fan Section														
012 = 125 MBh 030 = 300 MBh	0 = None (Indoor Unit)														
015 = 150 MBh 035 = 350 MBh	S = Special														
017 = 175 MBh 040 = 400 MBh	Digit 15 - Miscellaneous Options														
020 = 200 MBh	All Units														
Digit 8 - Main Power Supply	0 = None														
A = 115/60/1 E = 460/60/3	A = #409 Stainless Steel Burners														
B = 230/60/1 F = 575/60/3	B = Orifices for Elevation Above 5000 Feet														
C = 208/60/3 G = 208/60/1	C = #409 Stainless Steel Flue Collector														
D = 230/60/3 S = Special	D = Summer-Winter Switch														
Digit 9 - Gas Control Option	E = Vertical Louvers														
D = Single-Stage, Intermittent Pilot Ignition	H = Duct Discharge Flange														
E = Two-Stage Intermittent Pilot Ignition	J = Totally Enclosed Motor														
H = Electronic Mod. W/Room Sensing	3 = Premium Efficiency, Open Drip Proof														
J = Electronic Mod. W/Duct Sensing	4 = Premium Efficiency, Totally Enclosed														
L = Electronic Modulating With Ext. 4-20mA Input	S = Special														
N = Electronic Modulating With Ext. 0-10VDC Input															
T = Single Stage, Direct Spark Ignition															
V = Two Stage, Direct spark Ignition															
W = Electronic Modulation W/Duct Sensing & Room Override Stat															
S = Special															

HEAT EXCHANGER
INCLUDES TURBULATORS

75010353

REV
A



1

Parts List Number :GKNEUP1

Model Number :GKNE030ATA10000

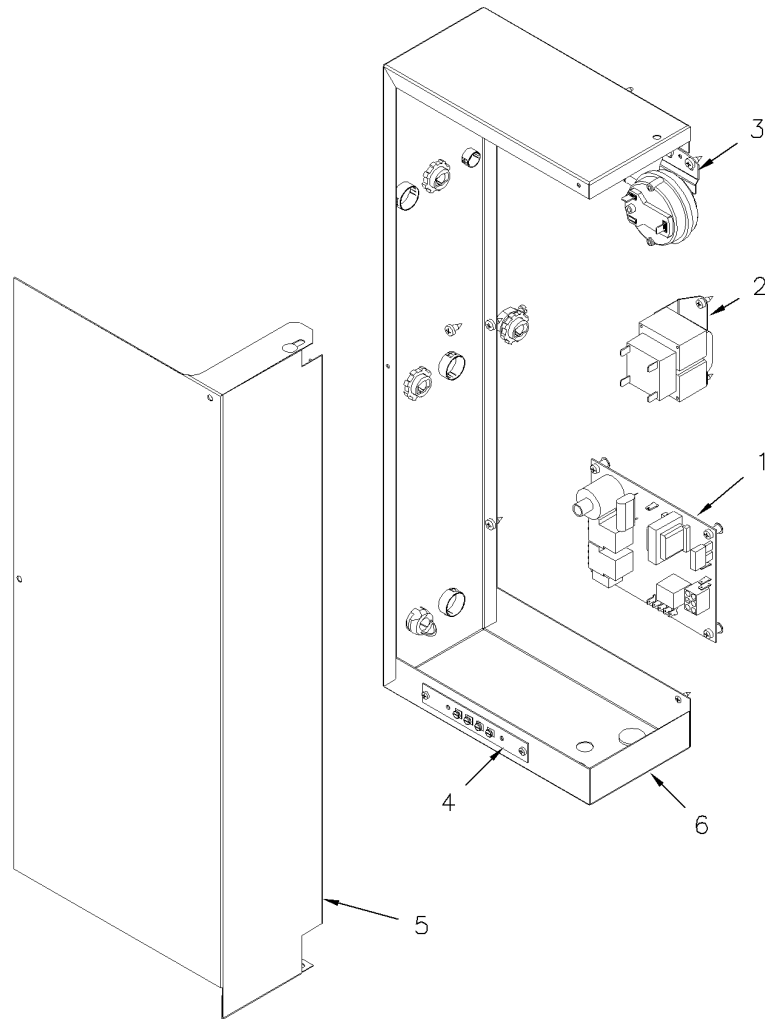
Part No.	Reference No.	Quantity	Description
EXC02545	1	1	EXCHANGER; VESTIBULE PANEL/TUBE ASSY, ALUMINIZED (HEAT EXCHANGER, INCLUDES TURBULATORS)

Part No.	Reference No.	Quantity	Description
BRK04428	1	1	BRACKET; MANIFOLD BRACKET SUB-ASSY
MFD00846	2	1	MANIFOLD;
BNR01034	3	1	BURNER;
ORF01748	4	1	ORIFICE; STANDARD ORIFICE, (NATURAL GAS)
SEN02145	5	1	SENSOR; FLAME SENSOR, DS, 1.500"
VAL08916	6	1	VALVE; SINGLE STAGE NATURAL(NG)
CNT05013	7	1	CONTROL; SPARK IGNITOR

ELECTRICAL CONTROL BOX

75010355

REV
A



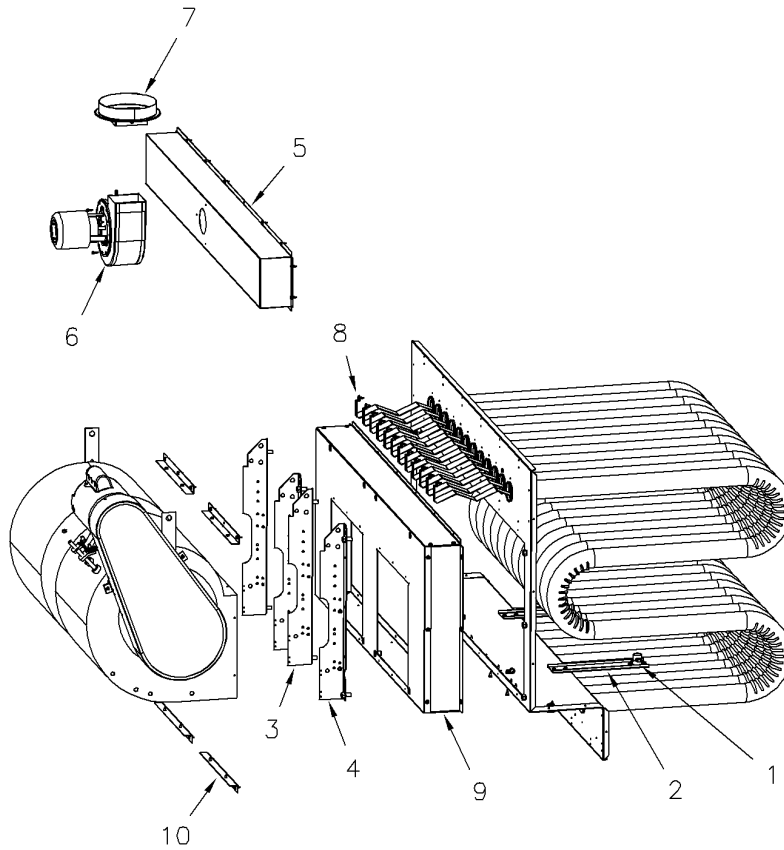
* TYPICAL ILLUSTRATION

Part No.	Reference No.	Quantity	Description
BRD03396	1	1	BOARD; CONTROL
TRR01251	2	1	TRANSFORMER; 50VA, 120V PRI., 24V SEC
SWT03799	3	1	SWITCH; AIR PRESSURE, STD ALT (0-4,999 FT)
PLT05204	4	1	PLATE; TERMINAL BLOCK
COV04757	5	1	COVER; ELECTRICAL CONTROL BOX
CAS02027	6	1	CASING; ELECTRICAL CONTROL BOX BASE (WRAPPER)

POWER VENTER
FLUE COLLECTOR & TURBULATOR

75010356

REV
A



* TYPICAL ILLUSTRATION

Parts List Number :GKNEUP1

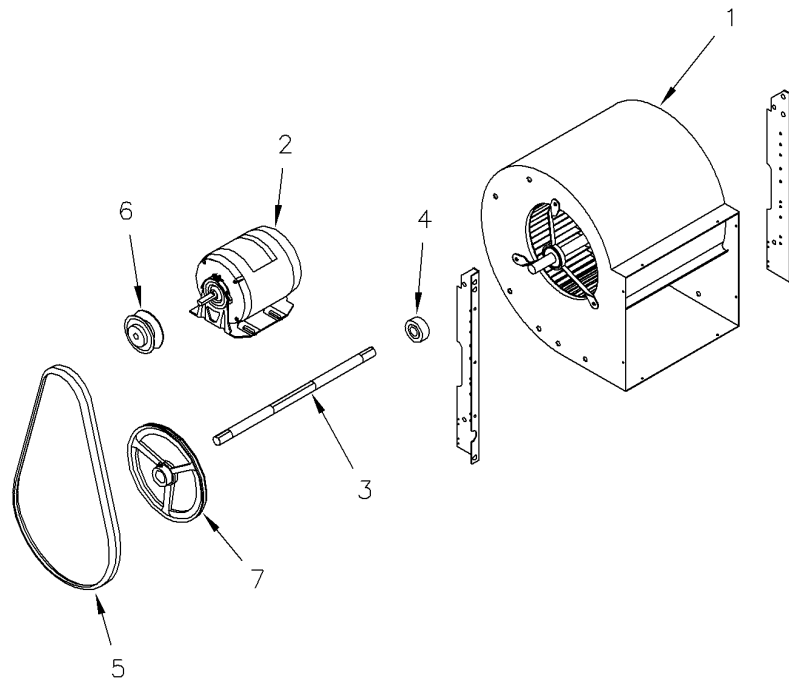
Model Number :GKNE030ATA10000

Part No.	Reference No.	Quantity	Description
SWT01036	1	2	SWITCH; AUXILARY CONTROL, HIGH LIMIT, 60T23-203675, F170-40, OPENS 130F, CLOSES 170F
BRK02536	2	2	BRACKET; HIGH LIMIT
SUP05797	3	1	SUPPORT; BLOWER HOUSING (LH)
SUP05798	4	1	SUPPORT; BLOWER HOUSING (RH)
FLU00223	5	1	FLUE; COLLECTOR BOX 300 TUBULAR
BLW00659	6	1	BLOWER; POWER DRAFTOR VENT ASSEMBLY
ADP00492	7	1	ADAPTER; ASM., FLUE COLLAR
TRB00229	8	1	TURBULATOR;
MNT02448	9	1	MOUNT; BLOWER MOUNTING EXTENSION ASSEMBLY
BRK04424	10	1	BRACKET; BLOWER BLOCK OFF

BLOWER ASSEMBLY

75000357

REV
A



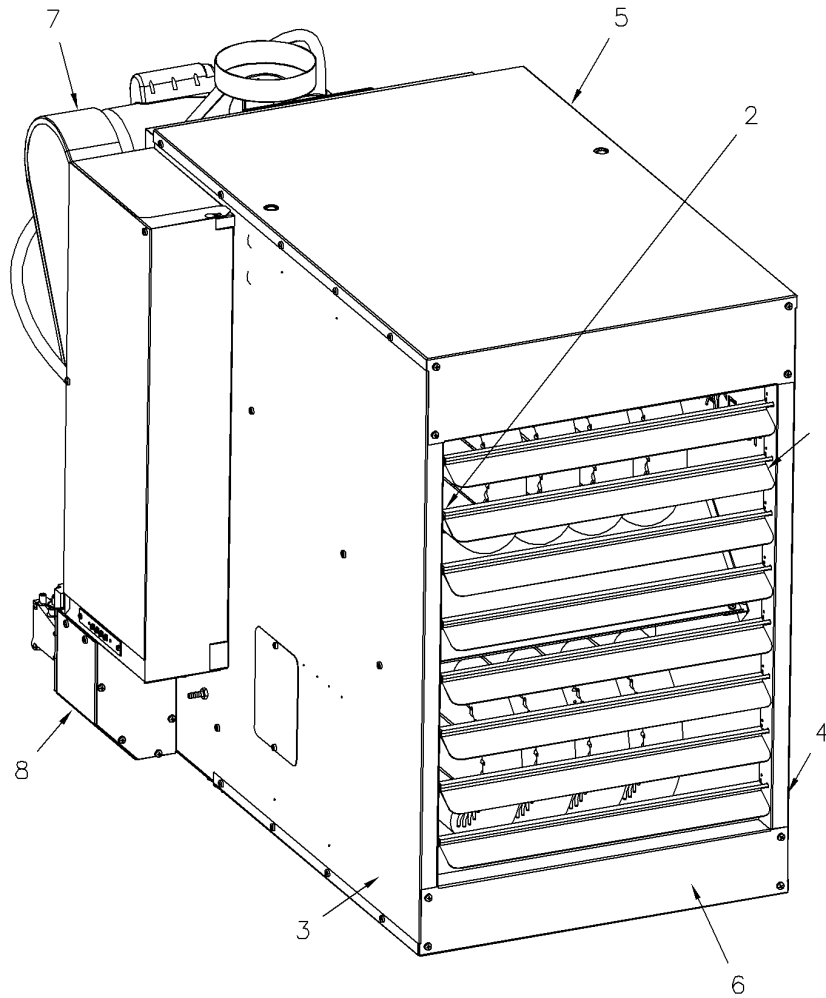
TYPICAL ILLUSTRATION
* NOT ILLUSTRATED

Part No.	Reference No.	Quantity	Description
BLW00211	1	2	BLOWER; ASM COMPLETE: 1 HOUSING, 1 WHEEL, (2) 3 HP SPIDER BEARING BRACKETS
MOT02506	2	1	MOTOR, 1 HP, 115-230/1/60, 1800 RPM, 5/8" SHAFT
SHF00901	3	1	SHAFT; BLOWER 36" LENGTH, WITH .7495 DIAMETER
BRG02053	4	3	BEARING; MAIN (QTY REQD PER CAPACITY)
BLL00908	5	1	BELT;
SHE06369	6	1	SHEAVE; DRIVE PULLEY (STANDARD) - A.K.A. MOTOR SHEAVE
SHE06371	7	1	SHEAVE; DRIVEN PULLEY (STANDARD) - A.K.A. BLOWER PULLEY

PANELS & LOUVERS

75010358

REV
A



* TYPICAL ILLUSTRATION

Part No.	Reference No.	Quantity	Description
CAB01185	*	1	CABLE; IGNITION-36 IN. LONG
CON01299	*	1	CONNECTOR; MOLEX ASSY(LEADS 19 IN LONG)
TUB13642	*	1	TUBING; VINYL, (PRESSURE SWITCH)
LVR00111	1	8	LOUVER;
SPG00194	2	8	SPRING; CONE, ADJUSTABLE LOUVERS FOR HORZ. AND VERT.(ORDER QTY EQUALS PIECES)
PNL30477	3	1	PANEL; RIGHT SIDE JACKET, W/ INSULATION
PNL30476	4	1	PANEL; LEFT SIDE JACKET, W/ INSULATION
PNL30475	5	1	PANEL; TOP JACKET, W/ INSULATION
PNL30480	6	1	PANEL; ASSY, BOTTOM JACKET PANEL W/ INSULATION & BURNER COVER
GRD01260	7	1	GUARD; 10 INCH BLOWER GUARD ASSEMBLY
PLT05203	8	1	PLATE; SEPARATED COMBUSTION CHAMBER

Part No.	Reference No.	Quantity	Description
CTR02812	*	1	CONTACTOR;
OLD00751	*	1	OVERLOAD;

Part No.	Reference No.	Quantity	Description
TRR02276	*	1	TRANSFORMER; 4000-01E07
VAL02178	*	1	VALVE; MODULATING & REGULATING (NOT THE GAS VALVE)MAIXTROL SYSTEM MR VALVE 610 3/4 IN NG

Parts List Number :GKNEUP1

Model Number :GKNE030ATA10000

			75010360
Balloon #:	CONVERSION KITS		
	DESCRIPTION	Mne #:	PART NUMBER
1	CONVERTING FROM NAT. GAS TO LP GAS	KIT14778	261R06951
2	CONVERTING FROM LP GAS TO NAT. GAS	KIT14779	261R06952
	TRANSFORMERS		
	DESCRIPTION		PART NUMBER
3	115/24, 50VA TRANSFORMER	TRR01505	J14R03245-001
4	208/24, 50VA TRANSFORMER	TRR01740	J14R03245-010
5	230/24, 50VA TRANSFORMER	TRR01740	J14R03245-010
6	208/115, 500VA TRANSFORMER	TRR01840	J14R05241-001
7	230/115, 500VA TRANSFORMER	TRR00923	J14R02832-002
8	460/115, 500VA TRANSFORMER	TRR00923	J14R02832-002
9	575/115, 500VA TRANSFORMER	TRR00924	J14R02832-006
	FIELD INSTALLED OPTIONS AND THERMOSTATS		
	DESCRIPTION [STERLING ACCESSORY OPTION NO.]		PART NUMBER
10	PRESSURE REGULATOR (0.5 to 10 PSI) NATURAL GAS [A7-1/2-1]	REG00599	11ASRA7-1/2-1
11	PRESSURE REGULATOR (10 to 20 PSI) NATURAL GAS [A7-3/8-1]	REG00600	11ASRA7-3/8-1
12	PRESSURE REGULATOR (20 to 35 PSI) NATURAL GAS [A7-5/16-1]	REG00601	11ASRA7-5/16-1
13	1-STAGE T675A DUCTSTAT [F1]	THT03085	ASRF1
14	2-STAGE T678A DUCTSTAT [F2]	THT03086	ASRF2
15	T87K 1-STAGE THERMOSTAT, WITH SUBBASE [G1] *	THT03087	ASRG1
16	T834N 1-STAGE W/ FAN SWITCH THERMOSTAT (STERLING LOGO) [G3] *	THT03088	ASRG3
17	THS220D 2-STAGE THERMOSTAT, WITH SUBBASE [G5] *	THT02244	ASRG5
18	T6169C 1-STAGE LINE VOLTAGE (115V) THERMOSTAT, WITH SUBBASE [G8]	THT02339	J13R03362
19	T822K 1-STAGE THERMOSTAT [G9] *	THT03089	J13R08431
20	TG511A UNIVERSAL THERMOSTAT GUARD/LOCKING COVER [G6]	GRD00334	J13R00954
21	24V SPST RELAY [P5]	RLY00871	J10R00818-003
22	LOW AMBIENT CONTROL [H5]	CNT07136	ASRH5
23	VENT CAP 5" (CAPACITY 100-250) [M2-2]	CAP00549	J37R02222-002
24	VENT CAP 6" (CAPACITY 300-400) [M2-3]	CAP00550	J37R02222-003
25	30 DEGREE NOZZLE KIT (CAPACITY 100-150) [X2-001]	KIT15040	ASRX2-001
26	30 DEGREE NOZZLE KIT (CAPACITY 175-250) [X2-002]	KIT15049	ASRX2-002
27	30 DEGREE NOZZLE KIT (CAPACITY 300-400) [X2-003]	KIT15050	ASRX2-003
28	60 DEGREE NOZZLE KIT (CAPACITY 100-150) [X3-001]	KIT15052	ASRX3-001
29	60 DEGREE NOZZLE KIT (CAPACITY 175-250) [X3-002]	KIT15051	ASRX3-002
30	60 DEGREE NOZZLE KIT (CAPACITY 300-400) [X3-003]	KIT14715	ASRX3-003
31	90 DEGREE NOZZLE KIT (CAPACITY 100-150) [X4-001]	KIT15034	ASRX4-001
32	90 DEGREE NOZZLE KIT (CAPACITY 175-250) [X4-002]	KIT07654	ASRX4-002
33	90 DEGREE NOZZLE KIT (CAPACITY 300-400) [X4-003]	KIT14716	ASRX4-003
34	VERTICAL LOUVER KIT (CAPACITY 100-150) [X5-304]	KIT16770	ASRX5-304
35	VERTICAL LOUVER KIT (CAPACITY 175-250) [X5-307]	KIT16771	ASRX5-307
36	VERTICAL LOUVER KIT (CAPACITY 300-400) [X5-312]	KIT16772	ASRX5-312
37	HORIZONTAL COMBUSTION AIR INLET KIT, 5 INCH (CAPACITY 100-250) [X7-H5]	KIT16773	ASRX7-H5
38	HORIZONTAL COMBUSTION AIR INLET KIT, 6 INCH (CAPACITY 300-400) [X7-H6]	KIT16774	ASRX7-H6
39	VERTICAL COMBUSTION AIR INLET KIT, 5 INCH (CAPACITY 100-250) [X7-V5]	KIT16775	ASRX7-V5
40	VERTICAL COMBUSTION AIR INLET KIT, 6 INCH (CAPACITY 300-400) [X7-V6]	KIT16776	ASRX7-V6
	* Mercury Free		
	FACTORY INSTALLED OPTIONS		
	DESCRIPTION [STERLING ACCESSORY OPTION NO.]		PART NUMBER
41	SUMMER/WINTER SWITCH [P6]	SWT00479	J11R00544
42	DISCHARGE DUCT FLANGE ASS'Y (CAPACITY 100-150) [M8]	FLG01347	257R08987-004
43	DISCHARGE DUCT FLANGE ASS'Y (CAPACITY 175-250) [M8]	FLG01348	257R08987-007
44	DISCHARGE DUCT FLANGE ASS'Y (CAPACITY 300-400) [M8]	FLG01349	257R08987-012
	MISC		
	DESCRIPTION		PART NUMBER
45	TOUCH UP PAINT, 12oz. SPRAY CAN (DARK GRAY)	PAI00087	512R01395-001
46	HIGH TEMP (RTV) SEALANT - 2.8oz. TUBE	N/A	H03R03612-002

Parts List Number :GKNEUP1

Model Number :GKNE030ATA10000

Part No.	Reference No.	Quantity	Description
KIT14778	1	1	KIT; FROM NATURAL GAS(NG) TO PROPANE(LP)
KIT14779	2	1	KIT; FROM PROPANE(LP) TO NATURAL GAS(NG)
TRR01505	3	1	TRANSFORMER; 50VA, 120V PRI., 24V SEC., FOOT MOUNTED, CLASS 2
TRR01740	4	1	TRANSFORMER; 230-24V, 50VA, 2A
TRR01740	5	1	TRANSFORMER; 230-24V, 50VA, 2A
TRR01840	6	1	TRANSFORMER; 208/115, 500VA (STEP DOWN)
TRR00923	7	1	TRANSFORMER; 500VA, 240-480/120-240V
TRR00923	8	1	TRANSFORMER; 500VA, 240-480/120-240V
TRR00924	9	1	TRANSFORMER; 500VA, 600/120-240V
REG00599	10	1	REGULATOR; PRESSURE, (0.5 TO 10 PSI) NATURAL GAS [A7-1/2-1]
REG00600	11	1	REGULATOR; PRESSURE, (10 TO 20 PSI) NATURAL GAS [A7-3/8-1]
REG00601	12	1	REGULATOR; PRESSURE, (20 TO 35 PSI) NATURAL GAS [A7-5/16-1]
THT03085	13	1	1-STAGE T675A DUCTSTAT [F1]
THT03086	14	1	2-STAGE T678A DUCTSTAT [F2]
THT03087	15	1	T87K 1-STAGE THERMOSTAT, WITH SUBBASE [G1] *
THT03088	16	1	T834N 1-STAGE W/ FAN SWITCH THERMOSTAT (STERLING LOGO) [G3] *
THT02244	17	1	THERMOSTAT; TWO-STAGE ROOM
THT02339	18	1	THERMOSTAT; LIGHT DUTY COMBINATION THERMOSTAT AND SUBBASE,
THT03089	19	1	T822K 1-STAGE THERMOSTAT [G9] *
GRD00334	20	1	GUARD; THERMOSTAT (LOCKING COVER)
RLY00871	21	1	RELAY; SPST, 24 VAC COIL
CNT07136	22	1	LOW AMBIENT CONTROL H5
CAP00549	23	1	CAP; 5 INCH VENT
CAP00550	24	1	CAP; VENT 6 INCH
KIT15040	25	1	NOZZLE; 30 DEGREE DOWNWARD NOZZLE KIT FOR 100 AND 150 MBH MODELS GH,GA,GB AND GK ONLY TUBULAR GAS UNIT HEATERS
KIT15049	26	1	NOZZLE; 30 DEGREE DOWNWARD NOZZLE FOR 175 AND 250 MBH GH, GA, GB AND GK ONLY TUBULAR GAS UNIT HEATERS
KIT15050	27	1	NOZZLE ;30 DEGREE DOWNWARD NOZZLE FOR 300-400 MBH GH, GA, GB AND GK ONLY TUBULAR GAS UNIT HEATER
KIT15052	28	1	NOZZLE; RPL 60 DEG NOZ KIT TUB 100-150
KIT15051	29	1	NOZZLE ; 60 DEGREE DOWNWARD NOZZLE FOR 175-250 MBH GH, GA, GB, AND GK ONLY TUBULAR GAS UNIT HEATER
KIT14715	30	1	NOZZLE ; 60 DEGREE DOWNWARD NOZZLE FOR 300-400 MBH GH, GA, GB, AND GK ONLY TUBULAR GAS UNIT HEATER
KIT15034	31	1	NOZZLE ; 90 DEGREE NOZZLE(100-150) FOR GH, GA, GB AND GK ONLY TUBULAR GAS UNIT HEATERS
KIT07654	32	1	NOZZLE ; 90 DEGREE NOZZLE(175-250) FOR GH, GA, GB AND GK ONLY TUBULAR GAS UNIT HEATERS
KIT14716	33	1	NOZZLE; 90 DEGREE NOZZLE(300-400) FOR GH, GA, GB AND GK ONLY TUBULAR GAS UNIT HEATERS
KIT16770	34	1	LOUVER; VERTICAL LOUVER KIT; 100-150 MBH GB AND GK ONLY GAS UNIT HEATERS
KIT16771	35	1	LOUVER; VERTICAL LOUVER KIT; 175-250 MBH GB AND GK ONLY GAS UNIT HEATERS
KIT16772	36	1	LOUVER; VERTICAL LOUVER KIT; 300-400 MBH GB AND GK ONLY GAS UNIT HEATERS
KIT16773	37	1	HORIZONTAL VENT KIT; HORIZONTAL COMBUSTION AIR INLET KIT, 5 INCH; 100-250 MBH GB AND GK MODELS ONLY
KIT16774	38	1	HORIZONTAL VENT KIT; HORIZONTAL COMBUSTION AIR INLET KIT, 5 INCH; 300-400 MBH GB AND GK MODELS ONLY
KIT16775	39	1	VERTICAL VENT KIT; VERTICAL COMBUSTION AIR INLET KIT, 5 INCH; 100-250 MBH; GB AND GK ONLY GAS UNIT HEATERS
KIT16776	40	1	VERTICAL VENT KIT; VERTICAL COMBUSTION AIR INLET KIT, 5 INCH; 300-400 MBH; GB AND GK ONLY GAS UNIT HEATERS
SWT00479	41	1	SWITCH, TOGGLE, SUMMER/WINTER
FLG01347	42	1	FLANGE; DUCT FLANGE KIT SIZE 010-015

Parts List Number :GKNEUP1

Model Number :GKNE030ATA10000

Part No.	Reference No.	Quantity	Description
FLG01348	43	1	FLANGE; DUCT FLANGE KIT SIZE 017-025
FLG01349	44	1	FLANGE; DUCT FLANGE KIT SIZE 030040
PAI00087	45	1	PAINT; AEROSOL, LT.GRAY (SHIPPING UOM 12 OZ HAZ)