

Parts List Number :GHNEUP1

Model Number :GHNE040AVA1000

<b>Part No.</b>	<b>Reference No.</b>	<b>Quantity</b>	<b>Description</b>
75010349	SEC 01		MODEL NUMBER DESCRIPTION
75010494	SEC 02		HEAT EXCHANGER, FLUE COLLECTOR, POWER VENTER, FAN, TURBULATOR
75010495	SEC 03		MANIFOLD BURNER ASSEMBLY
75010496	SEC 04		ELECTRIC CONTROL BOX
75010497	SEC 05		PANELS & LOUVERS
75010499	SEC 06		FIELD INSTALLED OPTIONS & THERMOSTATS
GHNE1000	SEC 07		CONVERSION KITS

MODEL NUMBER DESCRIPTION		75010349	REV A
Indoor Propeller Gas Heating Units			
MODEL NUMBER EXAMPLE			
G H N E 0 2 0 A T A 1 0 0 0 J			
1 2 3 4 5 6 7 8 9 10 11 12 13 14 15			
Digit 1 - Gas Heating Equipment		Digit 12 - Rooftop Arrangements	
G = Gas Heating		0 = None (Indoor Unit)	
		S = Special	
Digit 2 - Unit Type		Digit 13 - Rooftop Heating Unit	
H = High Efficiency Tubular Propeller		0 = None (Indoor Unit & Rooftop Duct Furnace)	
		S = Special	
Digit 3 - Fuel Type		Digit 14 - Rooftop Fan Section	
N = Natural Gas		0 = None (Indoor Unit & Rooftop Duct Furnace)	
P = LP Gas (Propane)		S = Special	
S = Special		Digit 15 - Miscellaneous Options	
Digit 4 - Development Sequence		0 = None	
E = Fifth Generation etc		A = #409 Stainless Steel Burners	
Digit 5,6,7 - Input Capacity		B = Orifices for Elevation Above 5000 Feet	
010 = 100 MBh		C = #409 Stainless Steel Flue Collector	
012 = 125 MBh		D = Summer-Winter Switch	
015 = 150 MBh		E = Vertical Louvers	
017 = 175 MBh		J = Totally Enclosed Motor	
020 = 200 MBh		7 = OSHA Fan Guard	
025 = 250 MBh			
030 = 300 MBh			
035 = 350 MBh			
040 = 400 MBh			
Digit 8 - Main Power Supply			
A = 115/60/1			
B = 230/60/1			
C = 208/60/3			
D = 230/60/3			
E = 460/60/3			
F = 575/60/3			
G = 208/60/1			
S = Special			
Digit 9 - Gas Control Option			
H = Electronic Modulating W/Room Sensing			
L = Electronic Modulating W/External 4-20 mA Input			
N = Electronic Modulating W/External 0-10 VDC Input			
T = Single Stage, Direct Spark Ignition			
V = Two Stage, Direct Spark Ignition			
S = Special			
Digit 10 - Design Sequence			
A = First Design			
Digit 11 - Heat Exchanger Material			
1 = Standard (Aluminized Steel)			
2 = #409 Stainless Steel			
S = Special			

Parts List Number :GHNEUP1

Model Number :GHNE040AVA1000

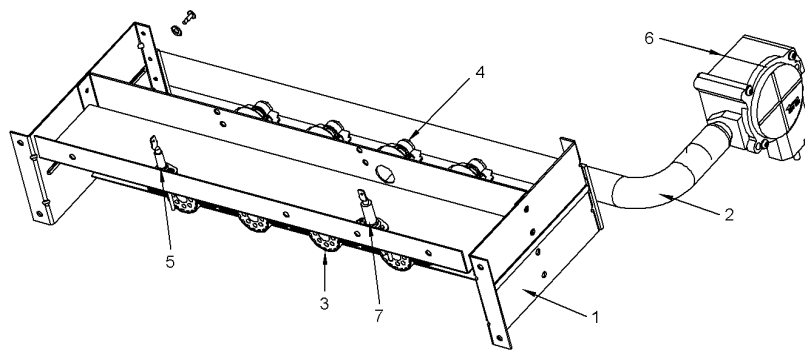
Part No.	Reference No.	Quantity	Description
KIT16766	*	2	KIT; FAN/GUARD/MOTOR MOUNT HARDWARE KIT [QTY. REQ'D PER CAPACITY]
EXC02537	1	1	EXCHANGER; VESTIBULE PANEL/TUBE ASSY, ALUMINIZED (HEAT EXCHANGER, INCLUDES TURBULATORS)
SWT01036	2	2	SWITCH; AUXILARY CONTROL, HIGH LIMIT, 60T23-203675, F170-40, OPENS 130F, CLOSES 170F
BRK02536	3	2	BRACKET; HIGH LIMIT
FAN04813	6	2	FAN; BLADE
FLU00225	7	1	FLUE; COLLECTOR BOX 400 TUBULAR
BLW00659	8	1	BLOWER; POWER DRAFTOR VENT ASSEMBLY
ADP00492	9	1	ADAPTER; ASM., FLUE COLLAR
TRB00229	10	16	TURBULATOR;

MANIFOLD BURNER ASSEMBLY

75010495

REV  
A

TYPICAL ILLUSTRATION



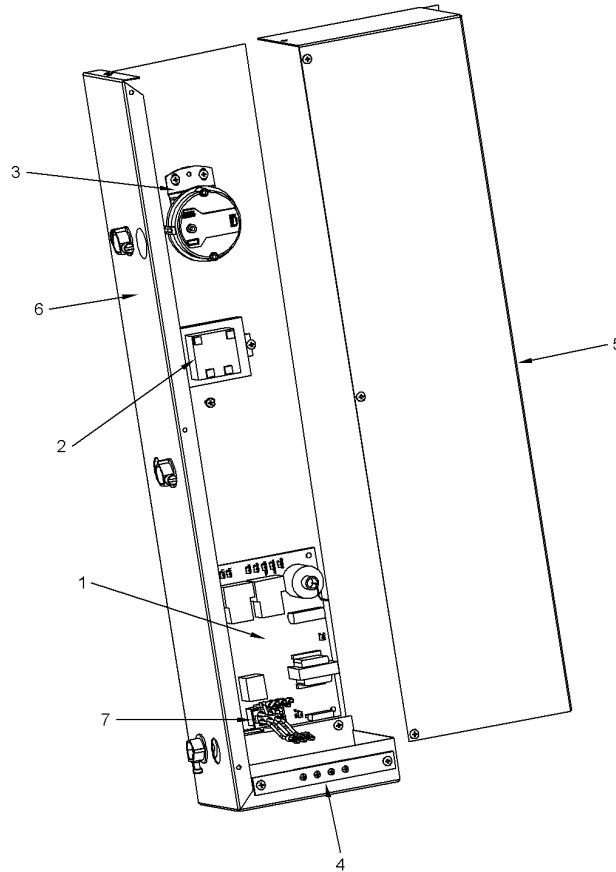
<b>Part No.</b>	<b>Reference No.</b>	<b>Quantity</b>	<b>Description</b>
CAB01185	*	1	CABLE; IGNITION-36 IN. LONG
BRK04428	1	1	BRACKET; MANIFOLD BRACKET SUB-ASSY
MFD00848	2	1	MANIFOLD;
BNR01034	3	16	BURNER;
SEN02145	5	1	SENSOR; FLAME SENSOR, DS, 1.500"
VAL08919	6	1	VALVE; TWO STAGE NATURAL GAS(NG)
CNT05013	7	1	CONTROL; SPARK IGNITOR

ELECTRIC CONTROL BOX

75010496

REV  
A

TYPICAL ILLUSTRATION



<b>Part No.</b>	<b>Reference No.</b>	<b>Quantity</b>	<b>Description</b>
TUB13642	*	1	TUBING; VINYL, (PRESSURE SWITCH)
BRD03396	1	1	BOARD; CONTROL
TRR01251	2	1	TRANSFORMER; 50VA, 120V PRI., 24V SEC
BLK00615	4	1	BLOCK; 4 TERMINAL, PLATE
COV02682	5	1	COVER; CONTROL BOX
BOX01188	6	1	BOX; CONTROL
CON01299	7	1	CONNECTOR; MOLEX ASSY(LEADS 19 IN LONG)

<b>Part No.</b>	<b>Reference No.</b>	<b>Quantity</b>	<b>Description</b>
COV04784	*	1	COVER; PEEP HOLE COVER ASSY
LVR00111	1	8	LOUVER;
SPG00194	2	8	SPRING; CONE, ADJUSTABLE LOUVERS FOR HORZ. AND VERT.(ORDER QTY EQUALS PIECES)
PNS00554	3	1	PANEL; RIGHT
PNL31479	4	1	PANEL; LEFT SIDE JACKET W/ INSULATION
PNS00553	5	1	PANEL; TOP
PNS00552	6	1	PANEL; BOTTOM

Parts List Number :GHNEUP1

Model Number :GHNE040AVA1000

MODEL "TF/RF"			
REPLACEMENT PARTS			Rev
"TF"/"RF" FIELD INSTALLED OPTIONS AND THERMOSTATS		75010499	A
Balloon #:	DESCRIPTION	Mne #:	
1	PRESSURE REGULATOR (125 PSI TO 7") NATURAL GAS	REG00095	
2	T87K 1-STAGE MERCURY-FREE THERMOSTAT (INCLUDES SUBBASE)	THT02569	
3	T834N 1-STAGE W/FAN SWITCH (STERLING LOGO) MERCURY-FREE THERMOSTAT	THT03088	
4	TH5220D 2-STAGE MERCURY-FREE THERMOSTAT (INCLUDES SUBBASE)	THT03102	
5	T6169C 1-STAGE LINE VOLTAGE (115V) THERMOSTAT W/SUBBASE	THT02339	
6	T822D 1-STAGE THERMOSTAT	THT00440	
7	TG511A UNIVERSAL THERMOSTAT GUARD	GRD00334	
8	24V SPST RELAY	RLY00871	
9	VENT CAP 4"	CAP00548	
10	VENT CAP 5"	CAP00549	
11	VENT CAP 6"	CAP00550	
12	30 DEGREE NOZZLE KIT (100-150)	KIT15040	
13	30 DEGREE NOZZLE KIT (175-250)	KIT15049	
14	30 DEGREE NOZZLE KIT (300-400)	KIT15050	
15	60 DEGREE NOZZLE KIT (100-150)	KIT15051	
16	60 DEGREE NOZZLE KIT (175-250)	KIT15052	
17	60 DEGREE NOZZLE KIT (300-400)	KIT14715	
18	90 DEGREE NOZZLE KIT (100-150)	KIT15034	
19	90 DEGREE NOZZLE KIT (175-250)	KIT07654	
20	90 DEGREE NOZZLE KIT (300-400)	KIT14716	
21	VERTICAL LOUVER KIT (TF 100-150)	KIT16206	
22	VERTICAL LOUVER KIT (TF 175-250)	KIT16789	
23	VERTICAL LOUVER KIT (TF 300-400)	KIT16790	
24	HIGH ALTITUDE* PRESSURE SWITCH (30, 45, 60, 75, 100, 125, 150, 300, 350, 400)	SWT02232	
25	HIGH ALTITUDE* PRESSURE SWITCH (90, 175, 200, 250)	SWT02233	
	CONCENTRIC VENT KIT (SF UNITS ONLY)		
	TOTALLY ENCLOSED MOTOR (UNIT SIZES 60, 75 AND ON SIZE 90 UNITS MFD. <b>PRIOR</b> TO 11/06)	MOT02230	
26	TOTALLY ENCLOSED MOTOR (UNIT SIZE 100)	MOT05320	
27	TOTALLY ENCLOSED MOTOR (UNIT SIZES 125-400 AND ON UNIT SIZE 90 MFD. <b>AFTER</b> 11/06)	MOT03782	
	**TOTALLY ENCLOSED MOTOR/FAN KIT - TF 125, 150, 300 [2] - FOR UNITS MFD. <b>PRIOR</b> TO 3/2/07	KIT15116	
	**TOTALLY ENCLOSED MOTOR/FAN KIT - TF 175, 350 [2] - FOR UNITS MFD. <b>PRIOR</b> TO 3/2/07	KIT15117	
	**TOTALLY ENCLOSED MOTOR/FAN KIT - TF 200, 250, 400 [2] - FOR UNITS MFD. <b>PRIOR</b> TO 3/2/07	KIT15118	
	*For units operating at elevations of 5,000-11,999 ft.		
	** Fan blade replacement kit and includes a (TE) motor, supplied in (2) boxes.		
	For units manufactured <b>AFTER</b> 3/2/07, use fan blade part numbers from pages 10 and 11 (Item No *19).		

Parts List Number :GHNEUP1

Model Number :GHNE040AVA1000

Part No.	Reference No.	Quantity	Description
REG00095	1	1	REGULATOR;PRESSURE
THT02569	2	1	TSTAT; ROUND, MERCURY-FREE HEAT ONLY
THT03088	3	1	T834N 1-STAGE W/ FAN SWITCH THERMOSTAT (STERLING LOGO) [G3] *
THT03102	4	1	THERMOSTAT; TH5220D 2-STAGE MERCURY-FREE (INCLUDES SUBBASE)
THT02339	5	1	THERMOSTAT; LIGHT DUTY COMBINATION THERMOSTAT AND SUBBASE,
THT00440	6	1	THERMOSTAT; 1 STAGE LOW VOLTAGE HEATING, .18 TO .8 AMPS OR .32 TO 1.2 AMPS AT 30 VAC, DIMENSIONS: 4.75 X 2.875 X 1.125, CONTAINS MERCURY
GRD00334	7	1	GUARD; THERMOSTAT (LOCKING COVER)
RLY00871	8	1	RELAY; SPST, 24 VAC COIL
CAP00548	9	1	CAP; 4 INCH VENT
CAP00549	10	1	CAP; 5 INCH VENT
CAP00550	11	1	CAP; VENT 6 INCH
KIT15050	14	1	NOZZLE ;30 DEGREE DOWNWARD NOZZLE FOR 300-400 MBH GH, GA, GB AND GK ONLY TUBULAR GAS UNIT HEATER
KIT14715	17	1	NOZZLE ; 60 DEGREE DOWNWARD NOZZLE FOR 300-400 MBH GH, GA, GB, AND GK ONLY TUBULAR GAS UNIT HEATER
KIT14716	20	1	NOZZLE; 90 DEGREE NOZZLE(300-400) FOR GH, GA, GB AND GK ONLY TUBULAR GAS UNIT HEATERS
SWT02232	24	1	SWITCH; HI-ALTITUDE AIR PRESSURE, .35 INCH SETTING, LABEL COLOR=BLUE, SPDT, NORMALLY OPEN, SNAP ACTING CONTACTS, OPERATING TEMPERATURE RANGE: -40 TO 190 DEG. F

CONVERSION KITS

Parts List Number :GHNEUP1

Model Number :GHNE040AVA1000

<b>Part No.</b>	<b>Reference No.</b>	<b>Quantity</b>	<b>Description</b>
KIT14778	*	1	KIT; FROM NATURAL GAS(NG) TO PROPANE(LP)
KIT14779	*	1	KIT; FROM PROPANE(LP) TO NATURAL GAS(NG)