

Part No.	Reference No.	Quantity	Description
GHNE1000#GHNEUP1~S	*		CONVERSION KITS
75010496#GHNEUP1~S	*		ELECTRIC CONTROL BOX
75010499#GHNEUP1~S	*		FIELD INSTALLED OPTIONS & THERMOSTATS
75010494#GHNEUP1~S	*		HEAT EXCHANGER, FLUE COLLECTOR, POWER VENTER, FAN, TURBULATOR
75010495#GHNEUP1~S	*		MANIFOLD BURNER ASSEMBLY
75010349#GHNEUP1~S	*		MODEL NUMBER DESCRIPTION
75010497#GHNEUP1~S	*		PANELS & LOUVERS
75010500_GHNEUP1_125958~P	*		TABLE OF CONTENTS PARTS LIST

NO GRAPHIC AVAILABLE

75013702

REV
A

**NO
GRAPHIC
AVAILABLE**

MODEL NUMBER DESCRIPTION											75010349				REV A
Indoor Propeller Gas Heating Units															
MODEL NUMBER EXAMPLE															
G H N E O 2 O A T A 1 0 0 0 J															
1 2 3 4 5 6 7 8 9 10 11 12 13 14 15															
Digit 1 - Gas Heating Equipment							Digit 12 - Rooftop Arrangements								
G = Gas Heating							0 = None (Indoor Unit)								
							S = Special								
Digit 2 - Unit Type							Digit 13 - Rooftop Heating Unit								
H = High Efficiency Tubular Propeller							0 = None (Indoor Unit & Rooftop Duct Furnace)								
							S = Special								
Digit 3 - Fuel Type							Digit 14 - Rooftop Fan Section								
N = Natural Gas							0 = None (Indoor Unit & Rooftop Duct Furnace)								
P = LP Gas (Propane)							S = Special								
S = Special															
Digit 4 - Development Sequence							Digit 15 - Miscellaneous Options								
E = Fifth Generation etc							0 = None								
							A = #409 Stainless Steel Burners								
Digit 5,6,7 - Input Capacity							B = Orifices for Elevation Above 5000 Feet								
010 = 100 MBh							C = #409 Stainless Steel Flue Collector								
012 = 125 MBh							D = Summer-Winter Switch								
015 = 150 MBh							E = Vertical Louvers								
017 = 175 MBh							J = Totally Enclosed Motor								
020 = 200 MBh							7 = OSHA Fan Guard								
025 = 250 MBh															
030 = 300 MBh															
035 = 350 MBh															
040 = 400 MBh															
Digit 8 - Main Power Supply															
A = 115/60/1															
B = 230/60/1															
C = 208/60/3															
D = 230/60/3															
E = 460/60/3															
F = 575/60/3															
G = 208/60/1															
S = Special															
Digit 9 - Gas Control Option															
H = Electronic Modulating W/Room Sensing															
L = Electronic Modulating W/External 4-20 mA Input															
N = Electronic Modulating W/External 0-10 VDC Input															
T = Single Stage, Direct Spark Ignition															
V = Two Stage, Direct Spark Ignition															
S = Special															
Digit 10 - Design Sequence															
A = First Design															
Digit 11 - Heat Exchanger Material															
1 = Standard (Aluminized Steel)															
2 = #409 Stainless Steel															
S = Special															

Part No.	Reference No.	Quantity	Description
75010349_GHNEUP1_125960~P	*		MODEL NUMBER DESCRIPTION PARTS LIST

MODEL NUMBER DESCRIPTION		75010349	REV A
Indoor Propeller Gas Heating Units			
MODEL NUMBER EXAMPLE			
G H N E 0 2 0 A T A 1 0 0 0 J			
1 2 3 4 5 6 7 8 9 10 11 12 13 14 15			
Digit 1 - Gas Heating Equipment		Digit 12 - Rooftop Arrangements	
G = Gas Heating		0 = None (Indoor Unit)	
		S = Special	
Digit 2 - Unit Type		Digit 13 - Rooftop Heating Unit	
H = High Efficiency Tubular Propeller		0 = None (Indoor Unit & Rooftop Duct Furnace)	
		S = Special	
Digit 3 - Fuel Type		Digit 14 - Rooftop Fan Section	
N = Natural Gas		0 = None (Indoor Unit & Rooftop Duct Furnace)	
P = LP Gas (Propane)		S = Special	
S = Special		Digit 15 - Miscellaneous Options	
Digit 4 - Development Sequence		0 = None	
E = Fifth Generation etc		A = #409 Stainless Steel Burners	
Digit 5,6,7 - Input Capacity		B = Orifices for Elevation Above 5000 Feet	
010 = 100 MBh		C = #409 Stainless Steel Flue Collector	
012 = 125 MBh		D = Summer-Winter Switch	
015 = 150 MBh		E = Vertical Louvers	
017 = 175 MBh		J = Totally Enclosed Motor	
020 = 200 MBh		7 = OSHA Fan Guard	
025 = 250 MBh			
030 = 300 MBh			
035 = 350 MBh			
040 = 400 MBh			
Digit 8 - Main Power Supply			
A = 115/60/1			
B = 230/60/1			
C = 208/60/3			
D = 230/60/3			
E = 460/60/3			
F = 575/60/3			
G = 208/60/1			
S = Special			
Digit 9 - Gas Control Option			
H = Electronic Modulating W/Room Sensing			
L = Electronic Modulating W/External 4-20 mA Input			
N = Electronic Modulating W/External 0-10 VDC Input			
T = Single Stage, Direct Spark Ignition			
V = Two Stage, Direct Spark Ignition			
S = Special			
Digit 10 - Design Sequence			
A = First Design			
Digit 11 - Heat Exchanger Material			
1 = Standard (Aluminized Steel)			
2 = #409 Stainless Steel			
S = Special			

Parts List Number :75010500#GHNEUP1

Model Number :GHNE017ATA1000

Part No.	Reference No.	Quantity	Description
75010494_GHNEUP1_353038~P	*		HEAT EXCHANGER, FLUE COLLECTOR, POWER VENTER, FAN, TURBULATOR PARTS LIST

NO GRAPHIC AVAILABLE

75013702

REV
A

**NO
GRAPHIC
AVAILABLE**

Parts List Number :75010500#GHNEUP1

Model Number :GHNE017ATA1000

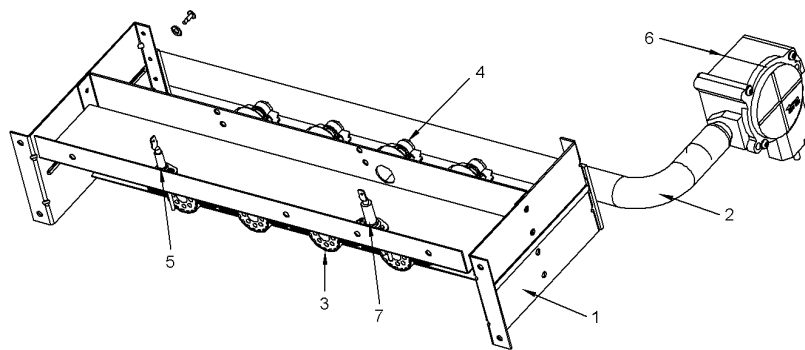
Part No.	Reference No.	Quantity	Description
KIT16766	*	1	KIT; FAN/GUARD/MOTOR MOUNT HARDWARE KIT [QTY. REQ'D PER CAPACITY]
EXC01399	1	1	EXCHANGER; HEAT, W/VESTIBULE PANEL, ALUMINUM
SWT01036	2	1	SWITCH; AUXILARY CONTROL, HIGH LIMIT, 60T23-203675, F170-40, OPENS 130F, CLOSES 170F
BRK02536	3	1	BRACKET; HIGH LIMIT
FAN04599	6	1	FAN; BLADE, 18" DIA., 1/2" BORE, 34 DEG. PITCH, 3.968 WIDTH
FLU00220	7	1	FLUE; COLLECTOR BOX 175 TUBULAR
BLW00660	8	1	BLOWER; ASM., COMBUSTION AIR, W/MOTOR 115/60, 1.8A,
ADP00491	9	1	ADAPTER; ASM., FLUE COLLAR
TRB00229	10	7	TURBULATOR;

MANIFOLD BURNER ASSEMBLY

75010495

REV
A

TYPICAL ILLUSTRATION



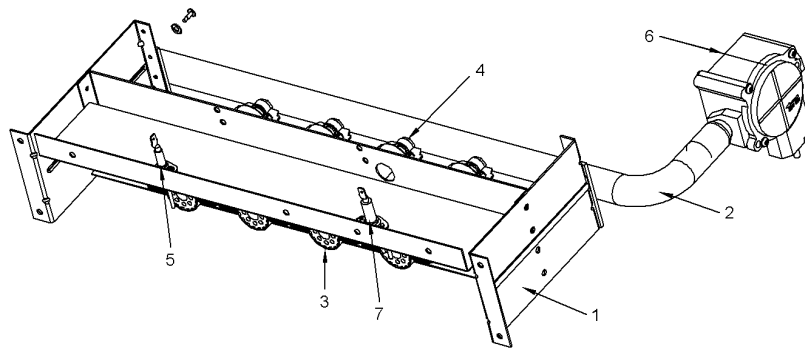
Part No.	Reference No.	Quantity	Description
75010495_GHNEUP1_353039~P	*		MANIFOLD BURNER ASSEMBLY PARTS LIST

MANIFOLD BURNER ASSEMBLY

75010495

REV
A

TYPICAL ILLUSTRATION



Parts List Number :75010500#GHNEUP1

Model Number :GHNE017ATA1000

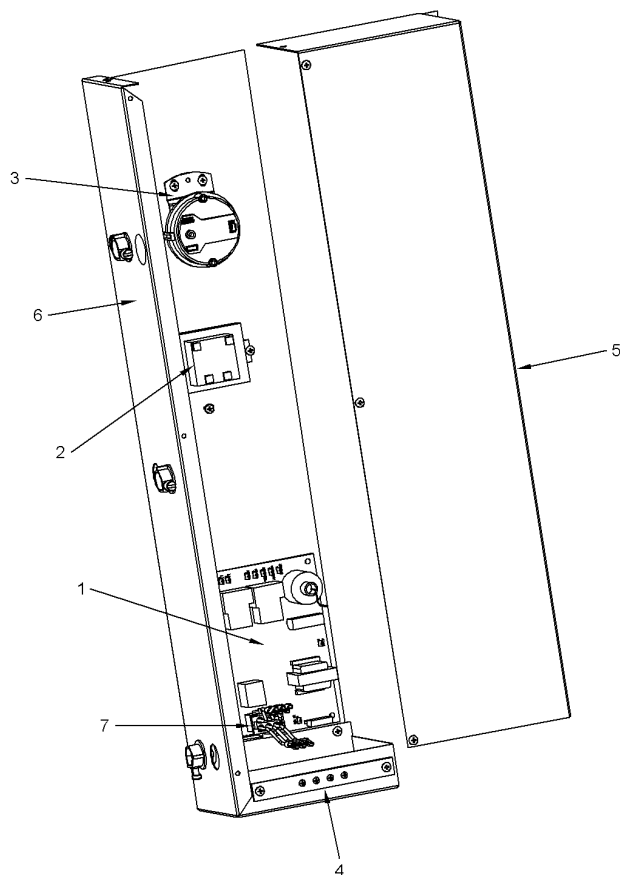
Part No.	Reference No.	Quantity	Description
CAB01185	*	1	CABLE; IGNITION-36 IN. LONG
BRK04427	1	1	BRACKET; MANIFOLD BRACKET SUB-ASSY
MFD00844	2	1	MANIFOLD;
BNR01034	3	7	BURNER;
SEN02145	5	1	SENSOR; FLAME SENSOR, DS, 1.500"
VAL08914	6	1	VALVE; SINGLE STAGE NATURAL GAS
CNT05013	7	1	CONTROL; SPARK IGNITOR

ELECTRIC CONTROL BOX

75010496

REV
A

TYPICAL ILLUSTRATION



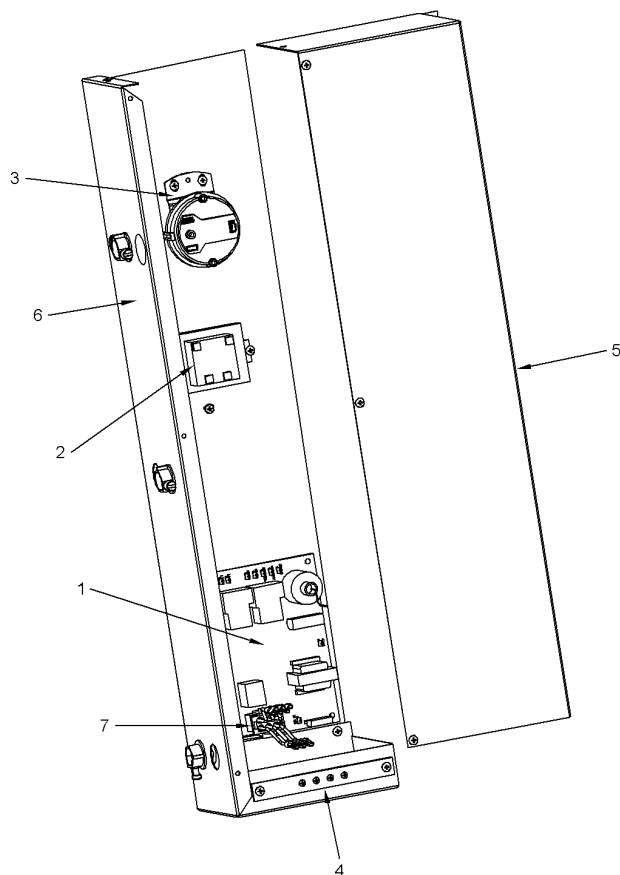
Part No.	Reference No.	Quantity	Description
75010496_GHNEUP1_347623~P	*		ELECTRIC CONTROL BOX PARTS LIST

ELECTRIC CONTROL BOX

75010496

REV
A

TYPICAL ILLUSTRATION



Part No.	Reference No.	Quantity	Description
TUB13641	*	1	TUBING; VINYL, (PRESSURE SWITCH)
BRD03396	1	1	BOARD; CONTROL
TRR01251	2	1	TRANSFORMER; 50VA, 120V PRI., 24V SEC
BLK00615	4	1	BLOCK; 4 TERMINAL, PLATE
COV02682	5	1	COVER; CONTROL BOX
BOX01188	6	1	BOX; CONTROL
CON01299	7	1	CONNECTOR; MOLEX ASSY(LEADS 19 IN LONG)

Part No.	Reference No.	Quantity	Description
75010497_GHNEUP1_221451~P	*		PANELS & LOUVERS PARTS LIST

NO GRAPHIC AVAILABLE

75013702

REV
A

**NO
GRAPHIC
AVAILABLE**

Part No.	Reference No.	Quantity	Description
COV04788	*	1	COVER; PEEP HOLE BURNER COVER ASSEMBLY
LVR00110	1	8	LOUVER;
SPG00194	2	8	SPRING; CONE, ADJUSTABLE LOUVERS FOR HORZ. AND VERT.(ORDER QTY EQUALS PIECES)
PNS00554	3	1	PANEL; RIGHT
PNL31479	4	1	PANEL; LEFT SIDE JACKET W/ INSULATION
PNL03090	5	1	PANEL;CONTROL, COMPLETE, 40 TON CG-CC
PNL30902	6	1	PANEL; BOTTOM JACKET PANEL W/ INSULATION

Parts List Number :75010500#GHNEUP1

Model Number :GHNE017ATA1000

MODEL "TF/RF"			
REPLACEMENT PARTS			Rev
"TF"/"RF" FIELD INSTALLED OPTIONS AND THERMOSTATS		75010499	A
Balloon #:	DESCRIPTION	Mne #:	
1	PRESSURE REGULATOR (125 PSI TO 7") NATURAL GAS	REG00095	
2	T87K 1-STAGE MERCURY-FREE THERMOSTAT (INCLUDES SUBBASE)	THT02569	
3	T834N 1-STAGE W/FAN SWITCH (STERLING LOGO) MERCURY-FREE THERMOSTAT	THT03088	
4	TH5220D 2-STAGE MERCURY-FREE THERMOSTAT (INCLUDES SUBBASE)	THT03102	
5	T6169C 1-STAGE LINE VOLTAGE (115V) THERMOSTAT W/SUBBASE	THT02339	
6	T822D 1-STAGE THERMOSTAT	THT00440	
7	TG511A UNIVERSAL THERMOSTAT GUARD	GRD00334	
8	24V SPST RELAY	RLY00871	
9	VENT CAP 4"	CAP00548	
10	VENT CAP 5"	CAP00549	
11	VENT CAP 6"	CAP00550	
12	30 DEGREE NOZZLE KIT (100-150)	KIT15040	
13	30 DEGREE NOZZLE KIT (175-250)	KIT15049	
14	30 DEGREE NOZZLE KIT (300-400)	KIT15050	
15	60 DEGREE NOZZLE KIT (100-150)	KIT15051	
16	60 DEGREE NOZZLE KIT (175-250)	KIT15052	
17	60 DEGREE NOZZLE KIT (300-400)	KIT14715	
18	90 DEGREE NOZZLE KIT (100-150)	KIT15034	
19	90 DEGREE NOZZLE KIT (175-250)	KIT07654	
20	90 DEGREE NOZZLE KIT (300-400)	KIT14716	
21	VERTICAL LOUVER KIT (TF 100-150)	KIT16206	
22	VERTICAL LOUVER KIT (TF 175-250)	KIT16789	
23	VERTICAL LOUVER KIT (TF 300-400)	KIT16790	
24	HIGH ALTITUDE* PRESSURE SWITCH (30, 45, 60, 75, 100, 125, 150, 300, 350, 400)	SWT02232	
25	HIGH ALTITUDE* PRESSURE SWITCH (90, 175, 200, 250)	SWT02233	
	CONCENTRIC VENT KIT (SF UNITS ONLY)		
	TOTALLY ENCLOSED MOTOR (UNIT SIZES 60, 75 AND ON SIZE 90 UNITS MFD. PRIOR TO 11/06)	MOT02230	
26	TOTALLY ENCLOSED MOTOR (UNIT SIZE 100)	MOT05320	
27	TOTALLY ENCLOSED MOTOR (UNIT SIZES 125-400 AND ON UNIT SIZE 90 MFD. AFTER 11/06)	MOT03782	
	**TOTALLY ENCLOSED MOTOR/FAN KIT - TF 125, 150, 300 [2] - FOR UNITS MFD. PRIOR TO 3/2/07	KIT15116	
	**TOTALLY ENCLOSED MOTOR/FAN KIT - TF 175, 350 [2] - FOR UNITS MFD. PRIOR TO 3/2/07	KIT15117	
	**TOTALLY ENCLOSED MOTOR/FAN KIT - TF 200, 250, 400 [2] - FOR UNITS MFD. PRIOR TO 3/2/07	KIT15118	
	*For units operating at elevations of 5,000-11,999 ft.		
	** Fan blade replacement kit and includes a (TE) motor, supplied in (2) boxes.		
	For units manufactured AFTER 3/2/07, use fan blade part numbers from pages 10 and 11 (Item No *19).		

Parts List Number :75010500#GHNEUP1

Model Number :GHNE017ATA1000

Part No.	Reference No.	Quantity	Description
75010499_GHNEUP1_245111~P	*		FIELD INSTALLED OPTIONS & THERMOSTATS PARTS LIST

Parts List Number :75010500#GHNEUP1

Model Number :GHNE017ATA1000

MODEL "TF/RF"			
REPLACEMENT PARTS			Rev
"TF"/"RF" FIELD INSTALLED OPTIONS AND THERMOSTATS		75010499	A
Balloon #:	DESCRIPTION	Mne #:	
1	PRESSURE REGULATOR (125 PSI TO 7") NATURAL GAS	REG00095	
2	T87K 1-STAGE MERCURY-FREE THERMOSTAT (INCLUDES SUBBASE)	THT02569	
3	T834N 1-STAGE W/FAN SWITCH (STERLING LOGO) MERCURY-FREE THERMOSTAT	THT03088	
4	TH5220D 2-STAGE MERCURY-FREE THERMOSTAT (INCLUDES SUBBASE)	THT03102	
5	T6169C 1-STAGE LINE VOLTAGE (115V) THERMOSTAT W/SUBBASE	THT02339	
6	T822D 1-STAGE THERMOSTAT	THT00440	
7	TG511A UNIVERSAL THERMOSTAT GUARD	GRD00334	
8	24V SPST RELAY	RLY00871	
9	VENT CAP 4"	CAP00548	
10	VENT CAP 5"	CAP00549	
11	VENT CAP 6"	CAP00550	
12	30 DEGREE NOZZLE KIT (100-150)	KIT15040	
13	30 DEGREE NOZZLE KIT (175-250)	KIT15049	
14	30 DEGREE NOZZLE KIT (300-400)	KIT15050	
15	60 DEGREE NOZZLE KIT (100-150)	KIT15051	
16	60 DEGREE NOZZLE KIT (175-250)	KIT15052	
17	60 DEGREE NOZZLE KIT (300-400)	KIT14715	
18	90 DEGREE NOZZLE KIT (100-150)	KIT15034	
19	90 DEGREE NOZZLE KIT (175-250)	KIT07654	
20	90 DEGREE NOZZLE KIT (300-400)	KIT14716	
21	VERTICAL LOUVER KIT (TF 100-150)	KIT16206	
22	VERTICAL LOUVER KIT (TF 175-250)	KIT16789	
23	VERTICAL LOUVER KIT (TF 300-400)	KIT16790	
24	HIGH ALTITUDE* PRESSURE SWITCH (30, 45, 60, 75, 100, 125, 150, 300, 350, 400)	SWT02232	
25	HIGH ALTITUDE* PRESSURE SWITCH (90, 175, 200, 250)	SWT02233	
	CONCENTRIC VENT KIT (SF UNITS ONLY)		
	TOTALLY ENCLOSED MOTOR (UNIT SIZES 60, 75 AND ON SIZE 90 UNITS MFD. PRIOR TO 11/06)	MOT02230	
26	TOTALLY ENCLOSED MOTOR (UNIT SIZE 100)	MOT05320	
27	TOTALLY ENCLOSED MOTOR (UNIT SIZES 125-400 AND ON UNIT SIZE 90 MFD. AFTER 11/06)	MOT03782	
	**TOTALLY ENCLOSED MOTOR/FAN KIT - TF 125, 150, 300 [2] - FOR UNITS MFD. PRIOR TO 3/2/07	KIT15116	
	**TOTALLY ENCLOSED MOTOR/FAN KIT - TF 175, 350 [2] - FOR UNITS MFD. PRIOR TO 3/2/07	KIT15117	
	**TOTALLY ENCLOSED MOTOR/FAN KIT - TF 200, 250, 400 [2] - FOR UNITS MFD. PRIOR TO 3/2/07	KIT15118	
	*For units operating at elevations of 5,000-11,999 ft.		
	** Fan blade replacement kit and includes a (TE) motor, supplied in (2) boxes.		
	For units manufactured AFTER 3/2/07, use fan blade part numbers from pages 10 and 11 (Item No *19).		

Parts List Number :75010500#GHNEUP1

Model Number :GHNE017ATA1000

Part No.	Reference No.	Quantity	Description
REG00095	1	1	REGULATOR;PRESSURE
THT02569	2	1	TSTAT; ROUND, MERCURY-FREE HEAT ONLY
THT03088	3	1	T834N 1-STAGE W/ FAN SWITCH THERMOSTAT (STERLING LOGO) [G3] *
THT03102	4	1	THERMOSTAT; TH5220D 2-STAGE MERCURY-FREE (INCLUDES SUBBASE)
THT02339	5	1	THERMOSTAT; LIGHT DUTY COMBINATION THERMOSTAT AND SUBBASE,
THT00440	6	1	THERMOSTAT; 1 STAGE LOW VOLTAGE HEATING, .18 TO .8 AMPS OR .32 TO 1.2 AMPS AT 30 VAC, DIMENSIONS: 4.75 X 2.875 X 1.125, CONTAINS MERCURY
GRD00334	7	1	GUARD; THERMOSTAT (LOCKING COVER)
RLY00871	8	1	RELAY; SPST, 24 VAC COIL
CAP00548	9	1	CAP; 4 INCH VENT
CAP00549	10	1	CAP; 5 INCH VENT
CAP00550	11	1	CAP; VENT 6 INCH
KIT15049	13	1	NOZZLE; 30 DEGREE DOWNWARD NOZZLE FOR 175 AND 250 MBH GH, GA, GB AND GK ONLY TUBULAR GAS UNIT HEATERS
KIT15052	16	1	NOZZLE; RPL 60 DEG NOZ KIT TUB 100-150
KIT07654	19	1	NOZZLE ; 90 DEGREE NOZZLE(175-250) FOR GH, GA, GB AND GK ONLY TUBULAR GAS UNIT HEATERS
KIT16789	22	1	KIT; VERTICAL LOUVER (TC 175-250) [X5-007]
KIT16790	23	1	KIT; VERTICAL LOUVER (TC 300-400) [X5-012]
SWT02233	25	1	SWITCH; HI-ALTITUDE AIR PRESSURE, 1.40 INCH SETTING, SPDT, 5A RESISTIVE AT 120-277 VAC, OPERATING TEMPERATURE RANGE: -40 TO 190 DEG. F

Part No.	Reference No.	Quantity	Description
GHNE1000_GHNEUP1_125973~ P	*		CONVERSION KITS PARTS LIST

NO GRAPHIC AVAILABLE

75013702

REV
A

**NO
GRAPHIC
AVAILABLE**

Part No.	Reference No.	Quantity	Description
KIT14778	*	1	KIT; FROM NATURAL GAS(NG) TO PROPANE(LP)
KIT14779	*	1	KIT; FROM PROPANE(LP) TO NATURAL GAS(NG)