

Part No.	Reference No.	Quantity	Description
75000363#UHUP27~S	*		BURNER DRAWER ASSEMBLY
UHUP2723#UHUP27~S	*		CANADIAN STD. VENT OR ADAPTER
75000361#UHUP27~S	*		COMMON PARTS, EXPLODED VIEW
75000360#UHUP27~S	*		COMMON PARTS, FRONT VIEW
75000362#UHUP27~S	*		COMMON PARTS, SIDE VIEW
75000368#UHUP27~S	*		ENERGY CUTOFF DEVICE (ECO)
75000097#UHUP27~S	*		FLUE COLLECTOR/DRAFT DIVERTER
UHUP2702#UHUP27~S	*		GAS VALVE
75000096#UHUP27~S	*		HEAT EXCHANGER
75000367#UHUP27~S	*		HYDRAULIC MODULATING GAS VALVE
75000357#UHUP27~S	*		IGNITION CONTROL, G770MGA
75000246#UHUP27~S	*		IGNITION CONTROL, S8600F
75000359#UHUP27~S	*		IGNITION CONTROL, S8600H
75000358#UHUP27~S	*		IGNITION CONTROL, S8600M
75000369#UHUP27~S	*		LOCKOUT CONTROL
75000093#UHUP27~S	*		MODEL NUMBER DESCRIPTION
75000095#UHUP27~S	*		MOTOR, PROPELLER & GUARD ASSEMBLY
75000354#UHUP27~S	*		NOZZLE ASM., 5-WAY DOWNWARD DISCHARGE
75000249#UHUP27~S	*		NOZZLE ASSEMBLY, 30 DEGREE
75000250#UHUP27~S	*		NOZZLE ASSEMBLY, 45 DEGREE
75000351#UHUP27~S	*		NOZZLE ASSEMBLY, 60 DEGREE
75000353#UHUP27~S	*		NOZZLE ASSEMBLY, 90 DEGREE
75000352#UHUP27~S	*		NOZZLE ASSEMBLY, Y SPLITTER
75000243#UHUP27~S	*		PILOT BURNER ASSEMBLY, HONEYWELL
75000245#UHUP27~S	*		PILOT BURNER ASSEMBLY, JOHNSON
75000247#UHUP27~S	*		POWER VENT ASSEMBLY
75000248#UHUP27~S	*		SUMMER/WINTER SWITCH
75000355#UHUP27~S	*		THERMOSTATS & GUARDS
75000373#UHUP27~S	*		TIME DELAY RELAY
75000235#UHUP27~S	*		TRANSFORMERS
UHUP2701_UHUP27_126836~P	*		UHUP27 PARTS LIST

NO GRAPHIC AVAILABLE

75013702

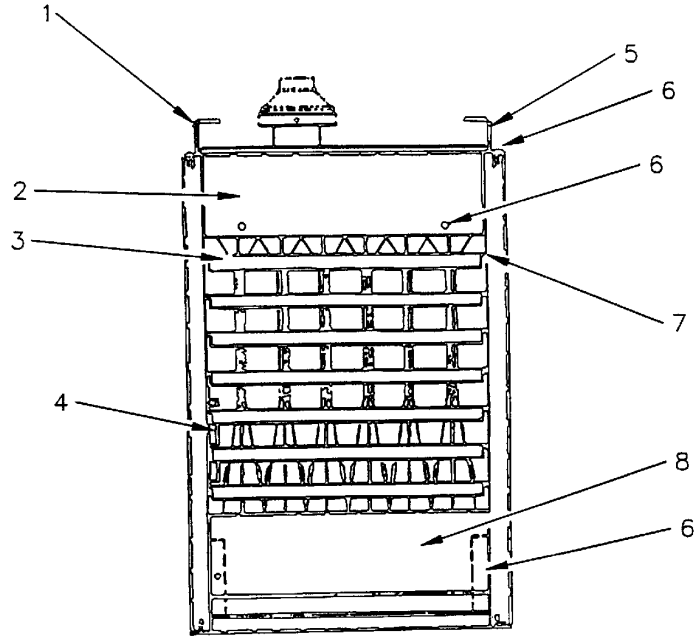
REV  
A

**NO  
GRAPHIC  
AVAILABLE**

COMMON PARTS  
FRONT VIEW

75000360

REV  
A

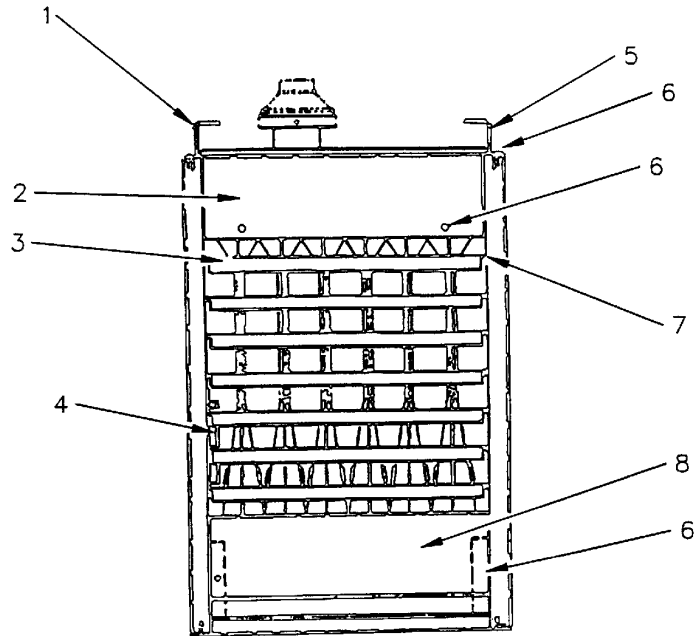


Part No.	Reference No.	Quantity	Description
75000360_UHUP27_229982-P	*		COMMON PARTS, FRONT VIEW PARTS LIST

COMMON PARTS  
FRONT VIEW

75000360

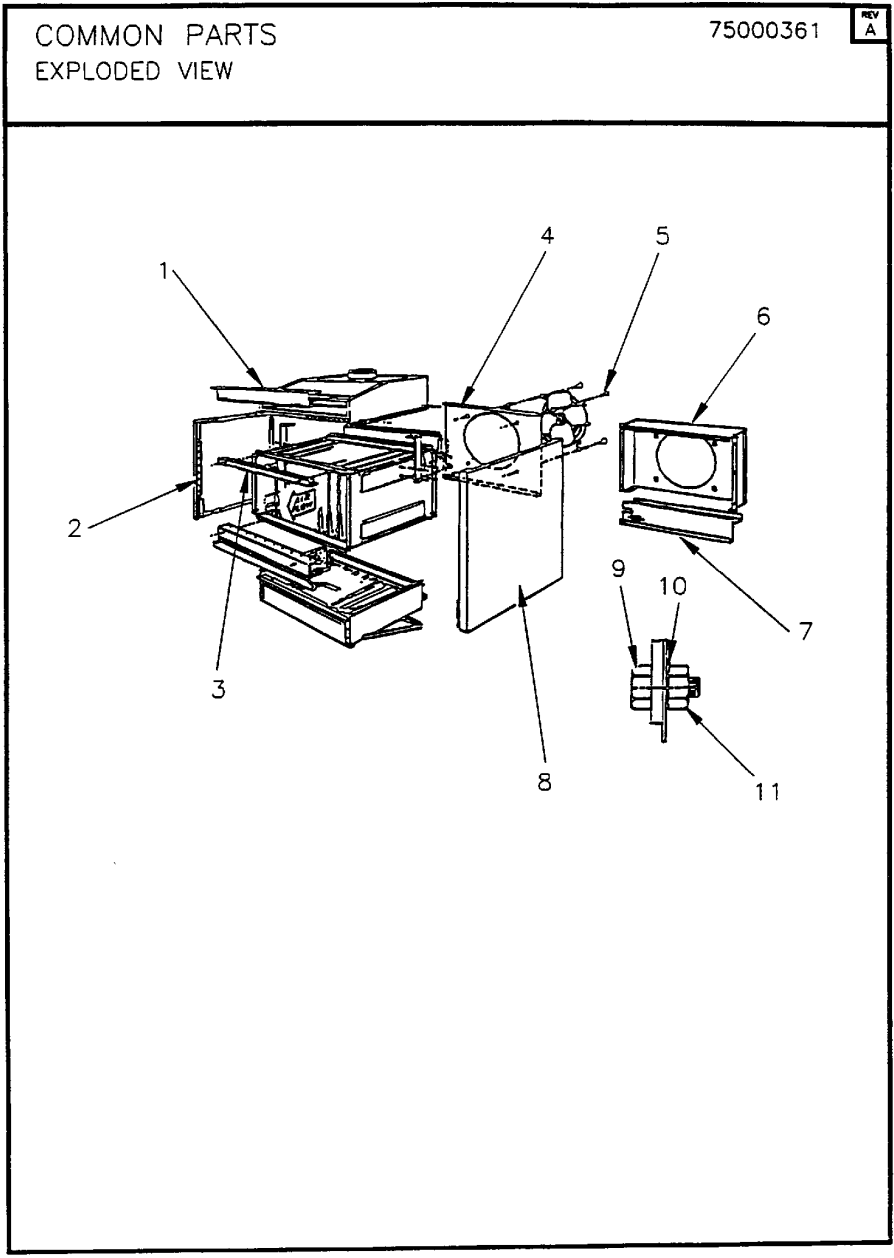
REV  
A



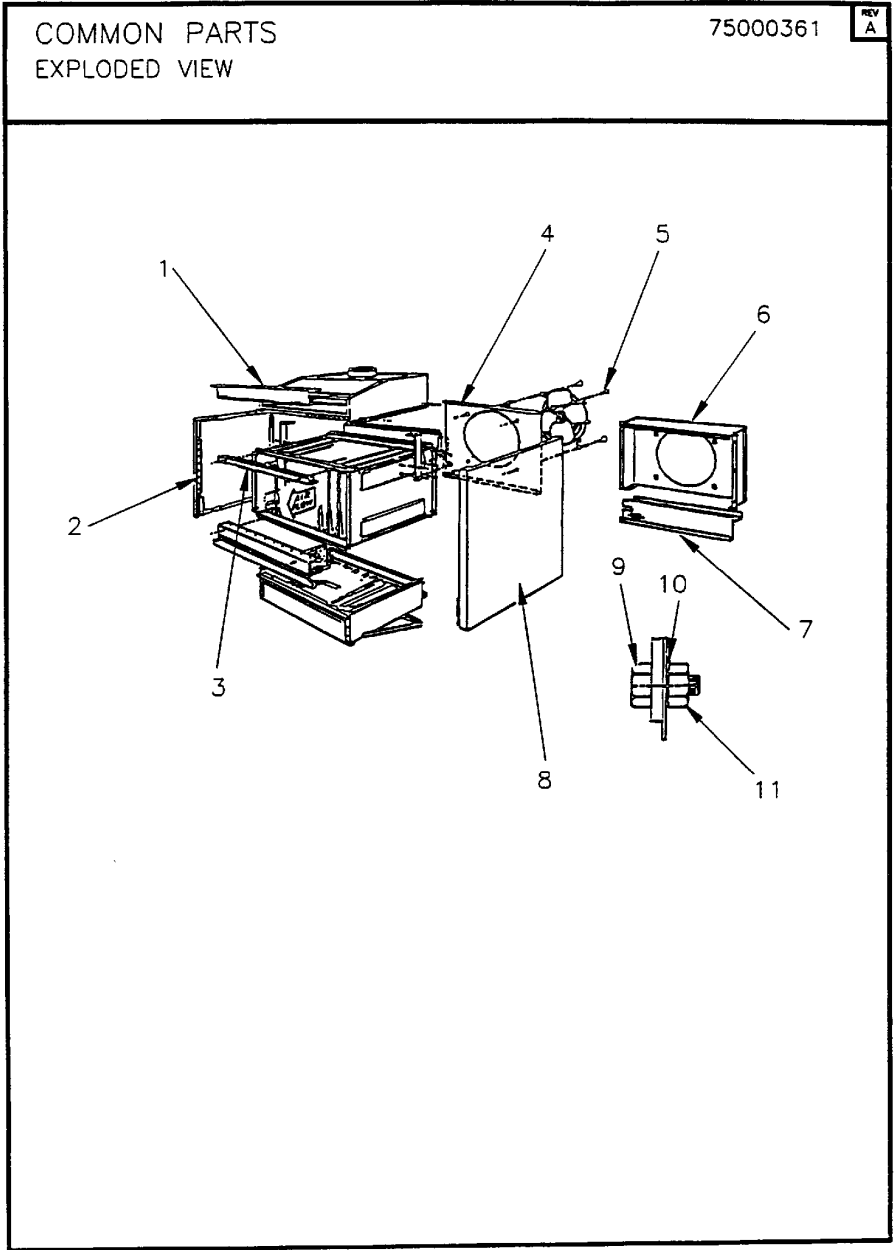
Parts List Number :UHUP2701#UHUP27

Model Number :GHND035ADG10000

Part No.	Reference No.	Quantity	Description
PAI00087	*	0	PAINT; AEROSOL, LT.GRAY (SHIPPING UOM 12 OZ HAZ)
PAI00089	*	0	PAINT; LIGHT GREY, ONE GALLON
REG00095	*	1	REGULATOR;PRESSURE
REG00112	*	1	REGULATOR; PRESSURE, 3/8IN. ORIFICE
REG00113	*	1	REGULATOR; PRESSURE, 5/16IN. ORIFICE
REG00114	*	1	REGULATOR; PRESSURE, 3/16IN. ORIFICE
REG00115	*	1	REGULATOR; PRESSURE, 1/8" ORIFICE
SWT01036	*	1	SWITCH; AUXILARY CONTROL, HIGH LIMIT, 60T23-203675, F170-40, OPENS 130F, CLOSES 170F
SUP01274	1	1	SUPPORT; UNIT HANGAR
LVR00029	3	7	LOUVER;HORIZONTAL, DARK GRAY COLOR ORDER PAI0061 AND REPAINT IF EXECUTIVE BEIGE COLOR REQUIRED
BOF00128	4	1	BLOCKOFF; LOUVER
SUP01275	5	1	SUPPORT; HANGAR UNIT
SCR00964	6	0	SCREW; #8, 1/2 IN. LG. SELF TAPPING
SPG00194	7	7	SPRING; CONE, ADJUSTABLE LOUVERS FOR HORZ. AND VERT.(ORDER QTY EQUALS PIECES)



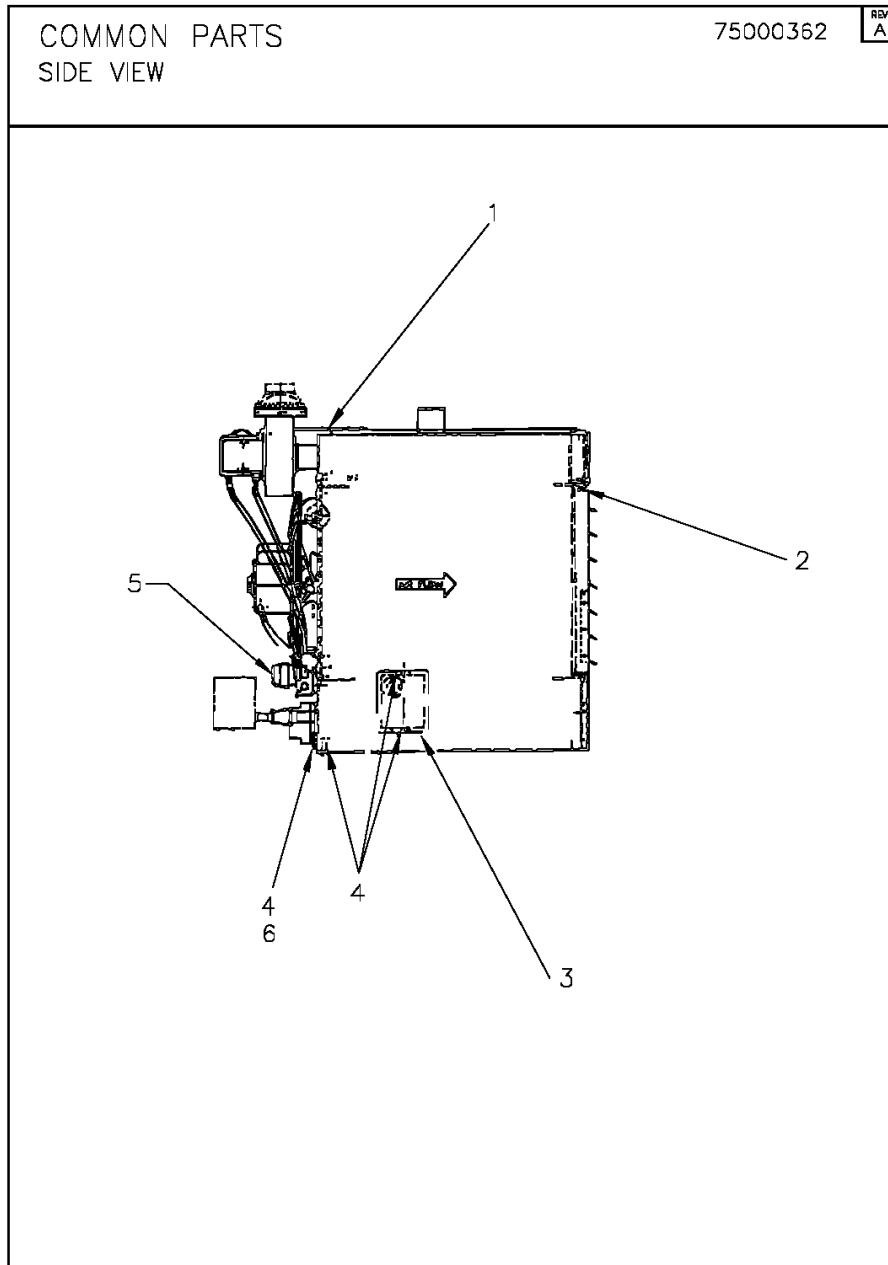
Part No.	Reference No.	Quantity	Description
75000361_UHUP27_198142-P	*		COMMON PARTS, EXPLODED VIEW PARTS LIST



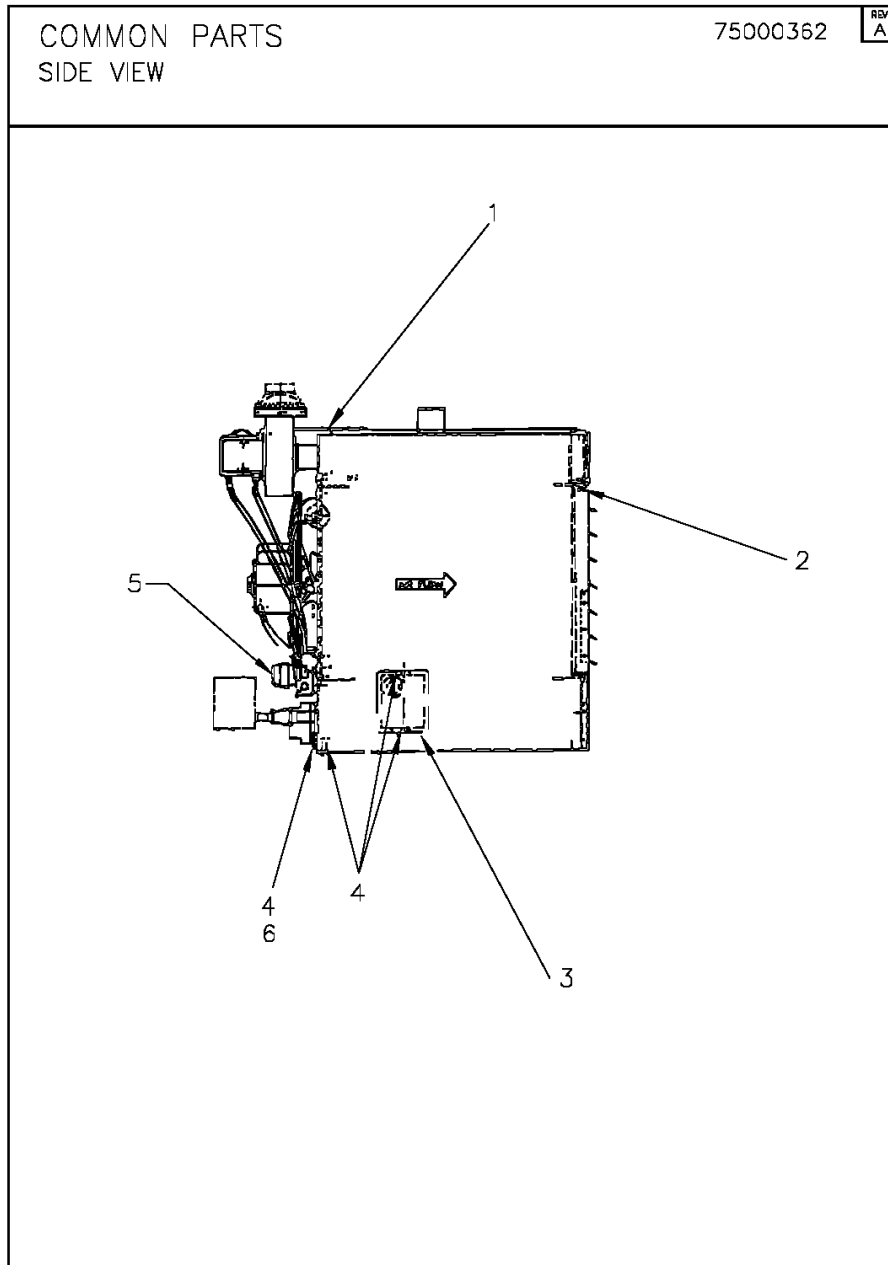
Parts List Number :UHUP2701#UHUP27

Model Number :GHND035ADG10000

<b>Part No.</b>	<b>Reference No.</b>	<b>Quantity</b>	<b>Description</b>
RTR00096	5	8	RETAINER, NUT
PNN00635	6	1	PANEL;ASSEMBLY, VENTURI EXTENSION (INDIV PARTS N/A SEPARATE)
PNN00630	7	1	PANEL; BOTTOM REAR WITH "Z" EXTENSION
BLT00183	9	4	BOLT; HEX HEAD
WAS00669	10	4	WASHER;LOCK,EXTERNAL TOOTH
NUT00518	11	4	NUT; HEX HEAD



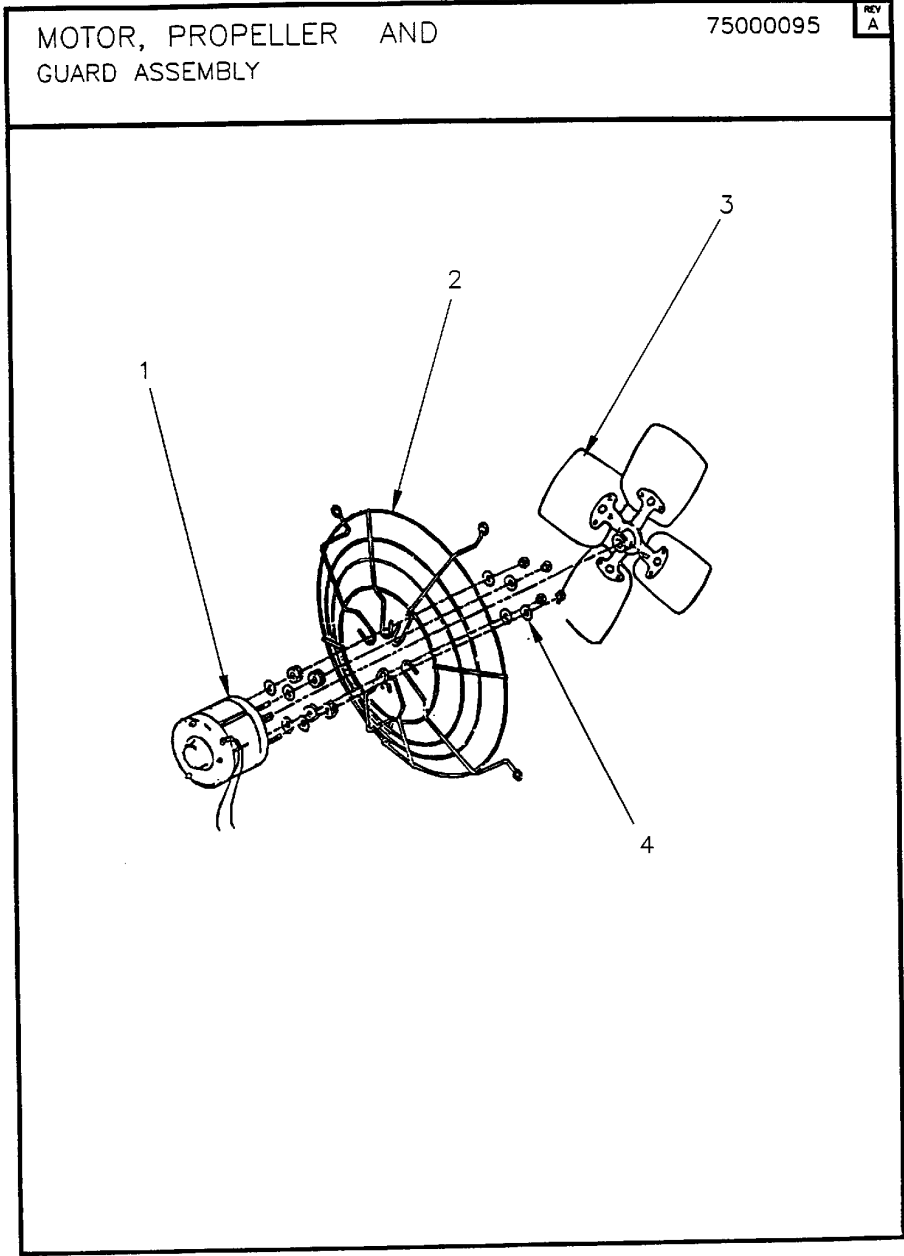
Part No.	Reference No.	Quantity	Description
75000362_UHUP27_126874~P	*		COMMON PARTS, SIDE VIEW PARTS LIST



Parts List Number :UHUP2701#UHUP27

Model Number :GHND035ADG10000

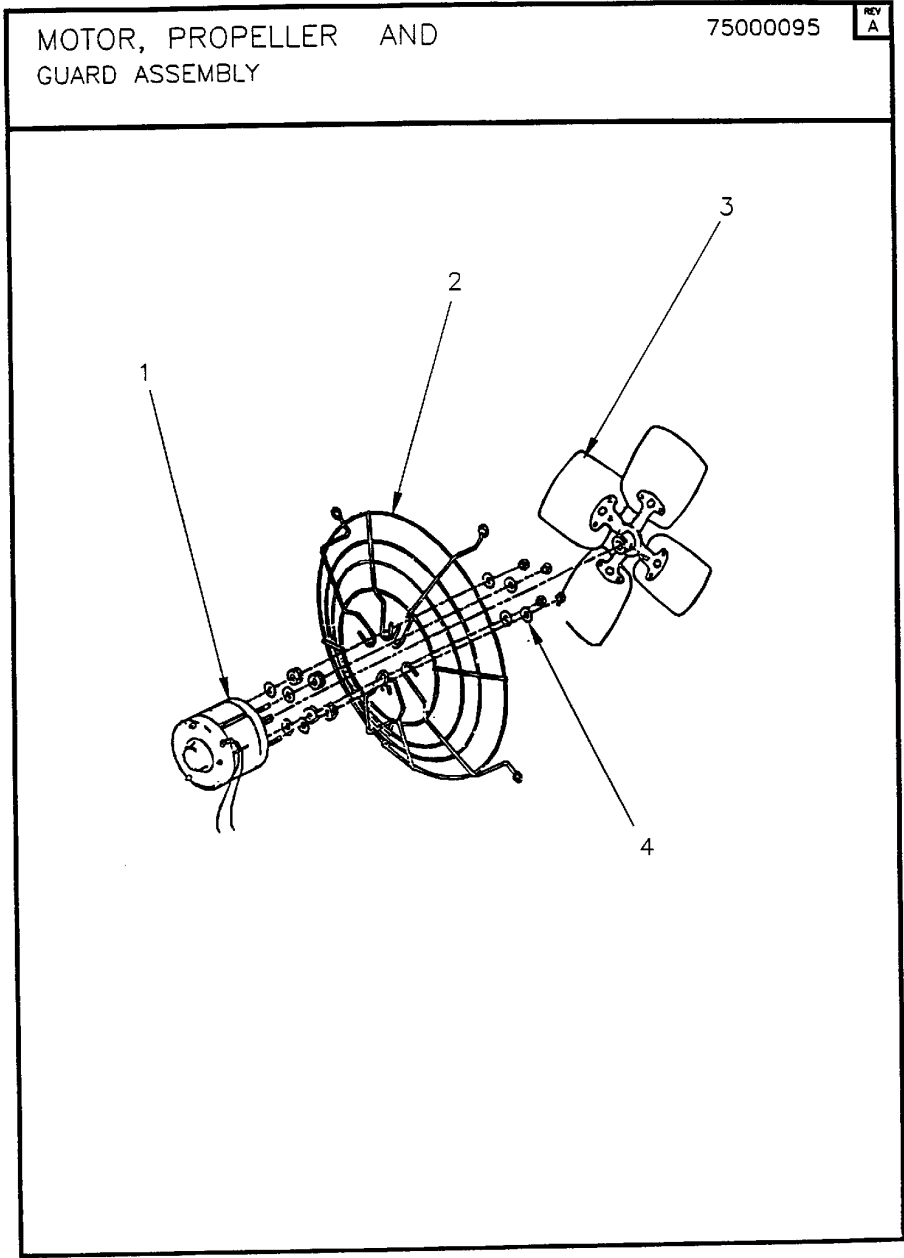
<b>Part No.</b>	<b>Reference No.</b>	<b>Quantity</b>	<b>Description</b>
BRK01006	1	1	BRACKET;SUPPORT, FOR THE POWER VENT ASSEMBLY
SCR00769	2	0	SCREW; #8, PHILIPS PAN HEAD,1/2 IN. LG.
DOR00396	3	1	DOOR; PILOT SIDE ACCESS
SCR00964	4	0	SCREW; #8, 1/2 IN. LG. SELF TAPPING
RLY01770	5	1	RELAY; FAN TIME DELAY, (INSIDE JUNCTION BOX) ALSO CALLED SEQUENCER(THERM-0-DISC)
RIV00055	6	1	RIVET;POP



Parts List Number :UHUP2701#UHUP27

Model Number :GHND035ADG10000

Part No.	Reference No.	Quantity	Description
75000095_UHUP27_128616~P	*		MOTOR, PROPELLER & GUARD ASSEMBLY PARTS LIST



Parts List Number :UHUP2701#UHUP27

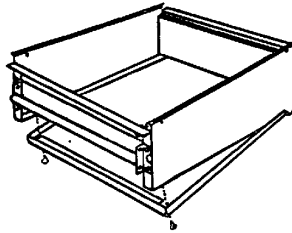
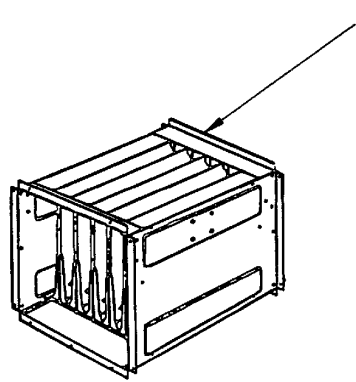
Model Number :GHND035ADG10000

Part No.	Reference No.	Quantity	Description
GRD01404	*	1	GUARD; MOTOR MOUNT AND FAN (OSHA APPROVED)
MOT07943	1	2	MOTOR; BLOWER W/CAPACITOR, 1/3 HP, 5.8 AMP, 120/60, OPEN DRIP PROOF
GRD00434	2	2	GUARD; FAN, FOR-PROPELLER & MOTOR, PAINT-GREY, P-7/10 & 14/16-1874 SAME AS GRD0311 EXCEPT PAINT COLOR GREY
FAN01526	3	2	FAN; 4 BLADE, 18IN., CW, 34 PITCH, 1/2 IN BORE
KIT00986	4	2	KIT; HARDWARE, 4 GROMMETS, 4 NUTS, 8 WASHERS

HEAT EXCHANGER

75000096

REV  
A



Burner Drawer

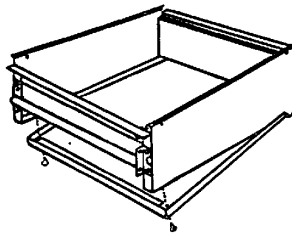
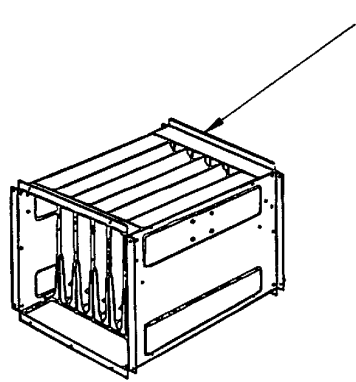
NOTE: Burner Drawer  
(less Burners) ships  
with the heat exchanger  
and is not available  
separately.

Part No.	Reference No.	Quantity	Description
75000096_UHUP27_231183-P	*		HEAT EXCHANGER PARTS LIST

HEAT EXCHANGER

75000096

REV  
A



Burner Drawer

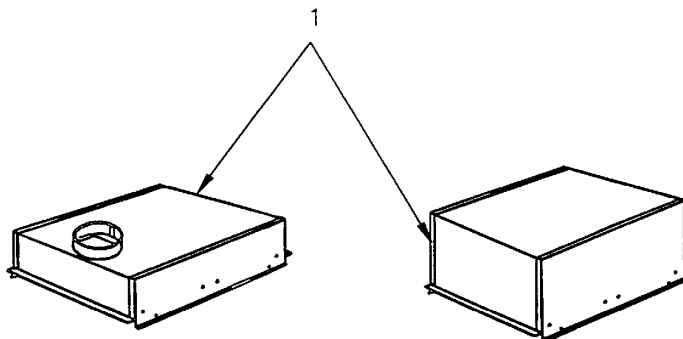
NOTE: Burner Drawer  
(less Burners) ships  
with the heat exchanger  
and is not available  
separately.

<b>Part No.</b>	<b>Reference No.</b>	<b>Quantity</b>	<b>Description</b>
EXC01663	1	1	EXCHANGER; HEAT, ALUMINUM

FLUE COLLECTOR OR  
DRAFT DIVERTER

75000097

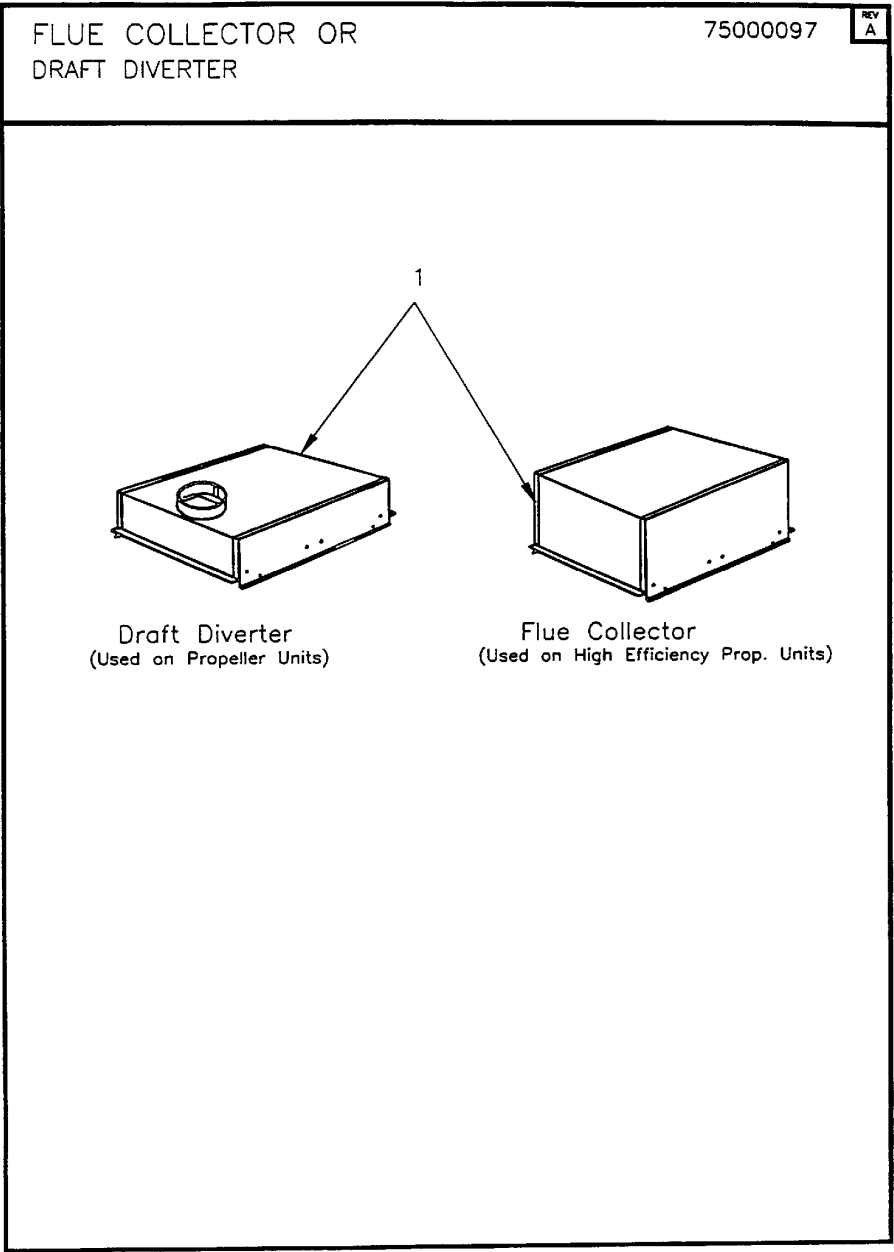
REV  
A



Draft Diverter  
(Used on Propeller Units)

Flue Collector  
(Used on High Efficiency Prop. Units)

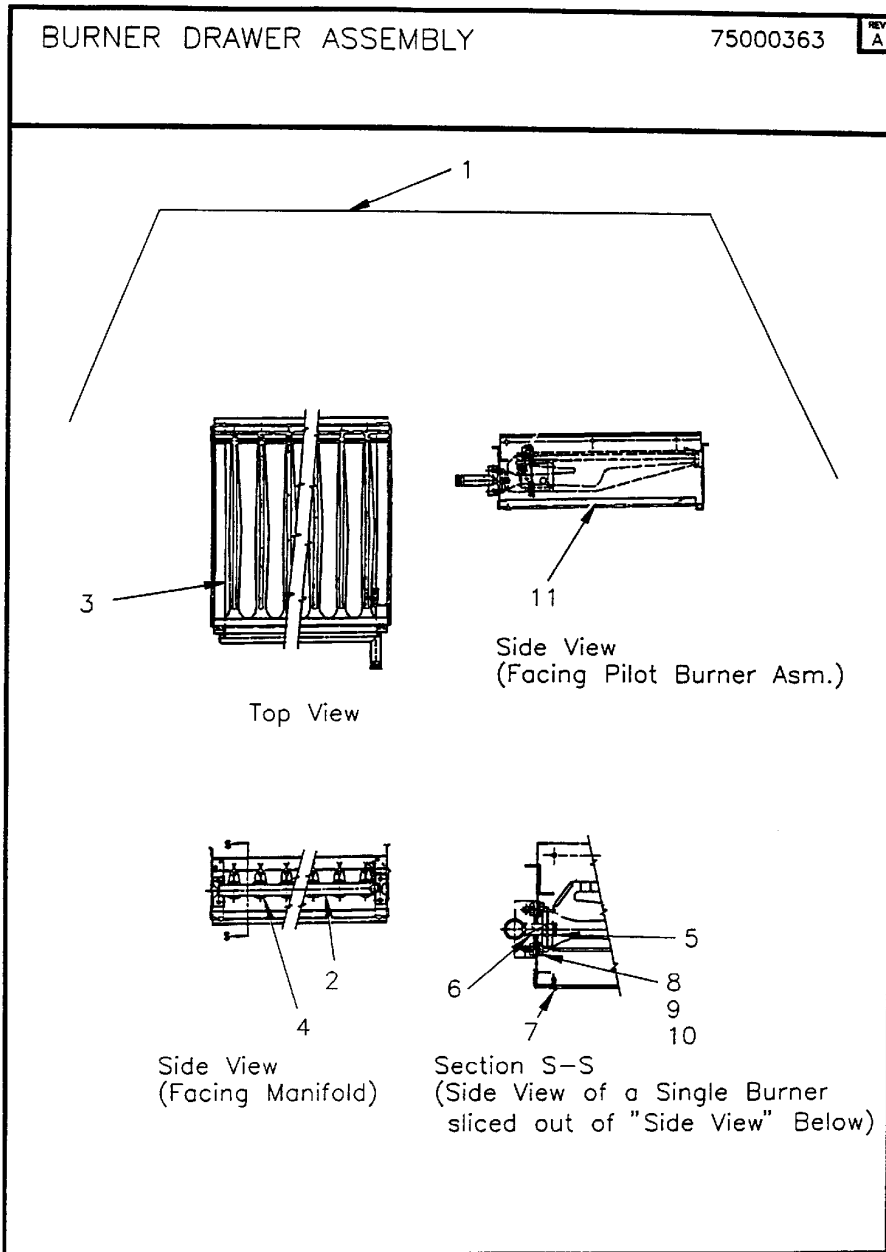
Part No.	Reference No.	Quantity	Description
75000097_UHUP27_231184~P	*		FLUE COLLECTOR/DRAFT DIVERTER PARTS LIST



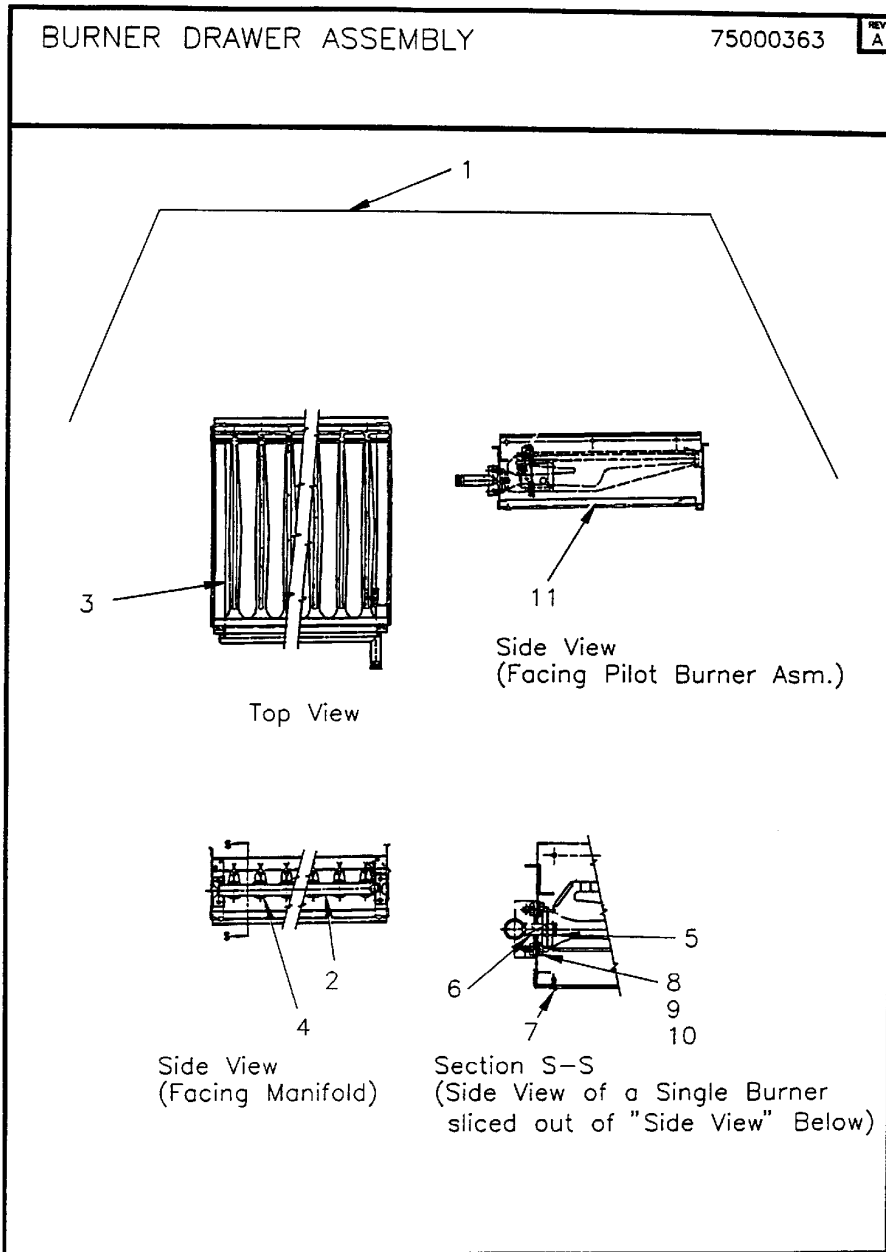
Parts List Number :UHUP2701#UHUP27

Model Number :GHND035ADG10000

<b>Part No.</b>	<b>Reference No.</b>	<b>Quantity</b>	<b>Description</b>
FLU00084	1	1	FLUE;COLLECTOR - ALUMINIZED 350 HORZ PBE&DE



Part No.	Reference No.	Quantity	Description
75000363_UHUP27_229984~P	*		BURNER DRAWER ASSEMBLY PARTS LIST



Part No.	Reference No.	Quantity	Description
CAS00233	1	1	CASING;(BURNER DRAWER), LESS BURNERS
MFD00314	2	1	MANIFOLD;ASSEMBLY (INCLUDES 2 BRACKETS AND END PLUG)
BNR00596	3	14	BURNER;MAIN, ALUMINUM, SINGLE BURNER
BNR00597	3	14	BURNER; MAIN, 409SS, ALSO APPLICABLE FOR USE WITH 321 HTG. EXC. PKG.
SHT00034	4	14	SHUTTER; AIR
ORF00615	5	14	ORIFICE; MAIN BURNER, DRILL SIZE #41
SPG00249	6	14	SPRING;BURNER, ORDER QTY.SHOULD BE PCS
SCR00964	7	5	SCREW; #8, 1/2 IN. LG. SELF TAPPING
BLT00183	8	4	BOLT; HEX HEAD
NUT00518	9	4	NUT; HEX HEAD
WAS00671	10	4	WASHER; LOCK, 5/16 NOMINAL SIZE, .321 ID, .586 OD



Parts List Number :UHUP2701#UHUP27

Model Number :GHND035ADG10000

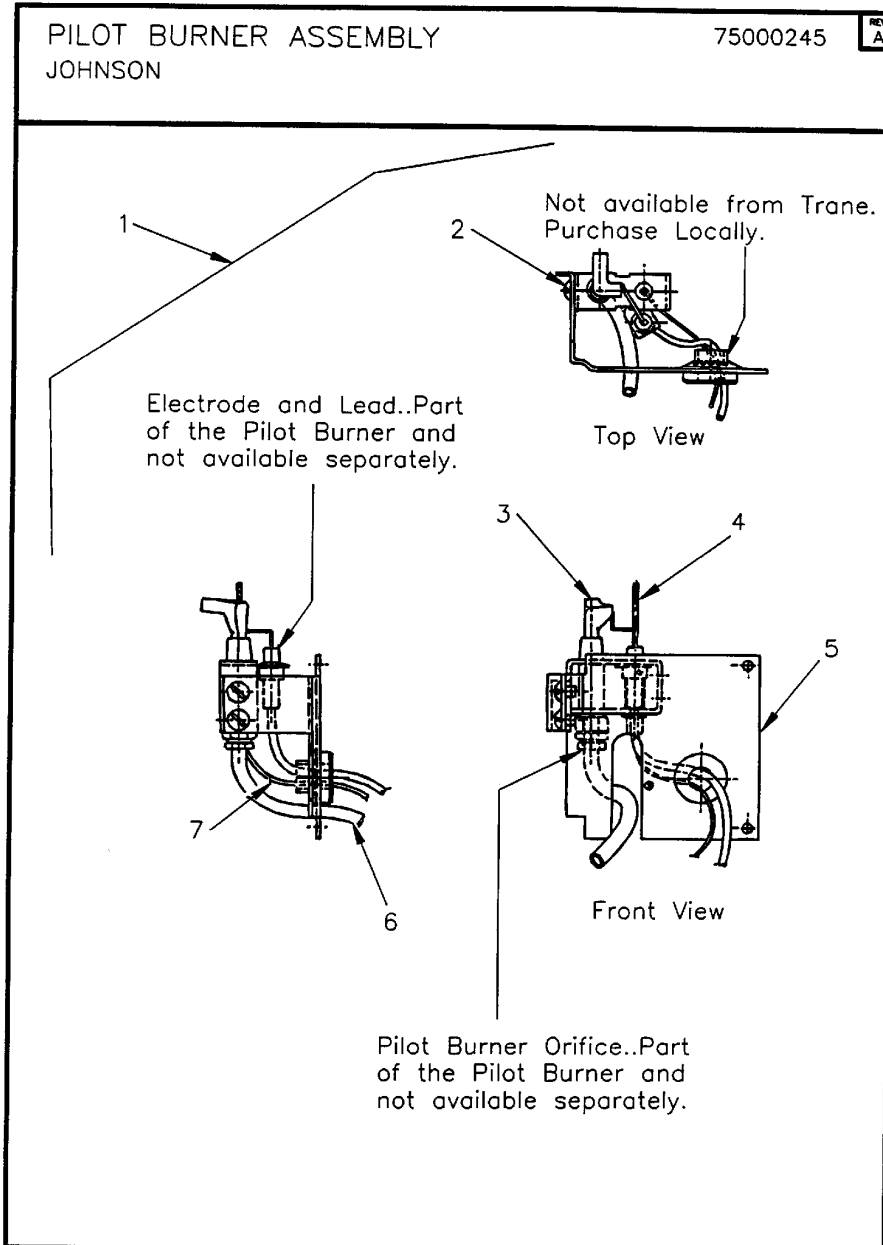
Part No.	Reference No.	Quantity	Description
75000243_UHUP27_126846~P	*		PILOT BURNER ASSEMBLY, HONEYWELL PARTS LIST



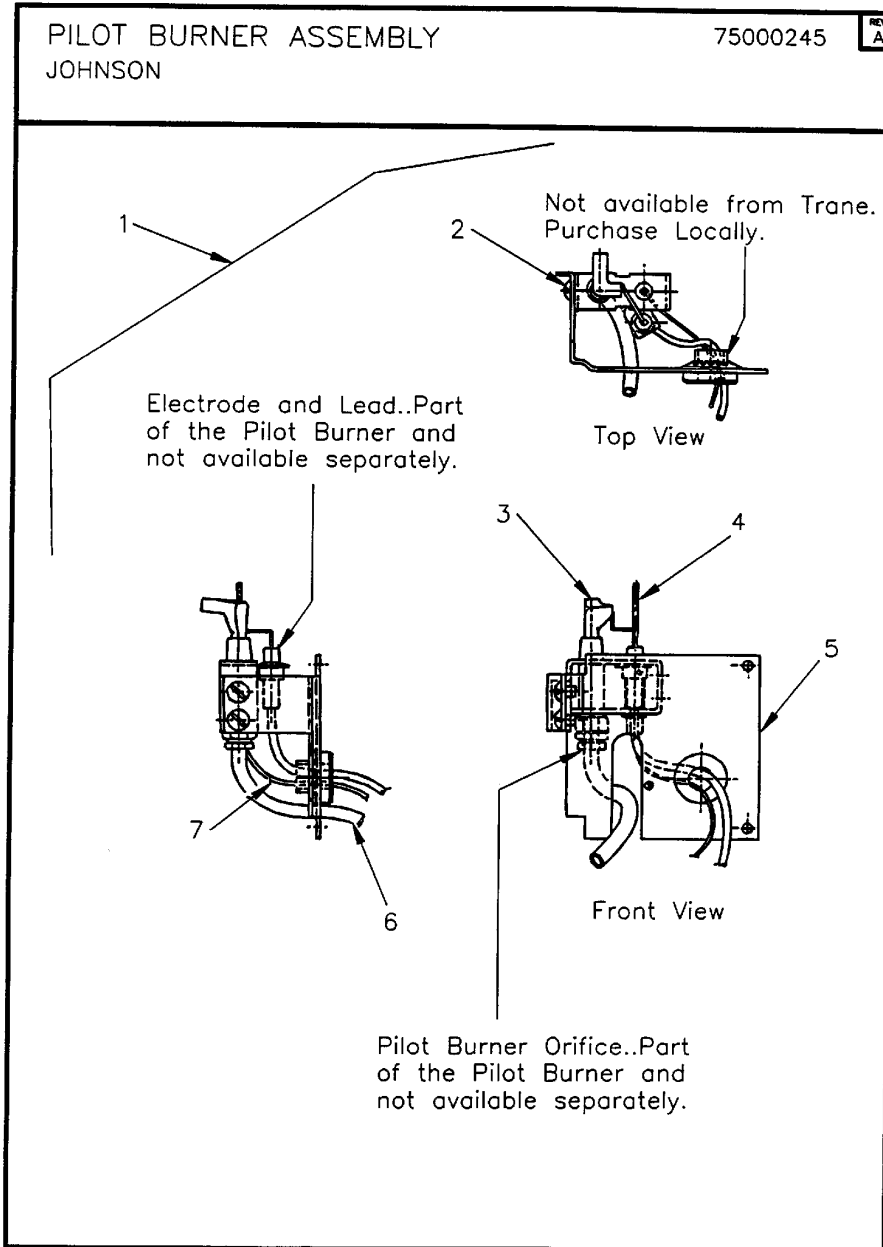
Parts List Number :UHUP2701#UHUP27

Model Number :GHND035ADG10000

Part No.	Reference No.	Quantity	Description
PIT00084	1	1	PILOT; NATURAL GAS, BURNER ASSEMBLY, R.H. INTERMITTENT, 150/400, HONEYWELL, WITH BRACKET AND TUBING
SCR01120	2	2	SCREW; SLOTTED ROUND HEAD MACHINE, #10-32, 3/16 LENGTH
PIT00068	3	1	PILOT; NATURAL GAS, BURNER, R.H. ELECTRIC IGNITION
BRK01004	4	1	BRACKET; PILOT BURNER
TUB02033	5	1	TUBE;PILOT BURNER,24IN.ALUMINUM,1/4IN.OD
LED00321	6	1	LEAD;36IN.HI-TEMP IGNITION CABLE W/CERAMIC BOOT



Part No.	Reference No.	Quantity	Description
75000245_UHUP27_126847~P	*		PILOT BURNER ASSEMBLY, JOHNSON PARTS LIST

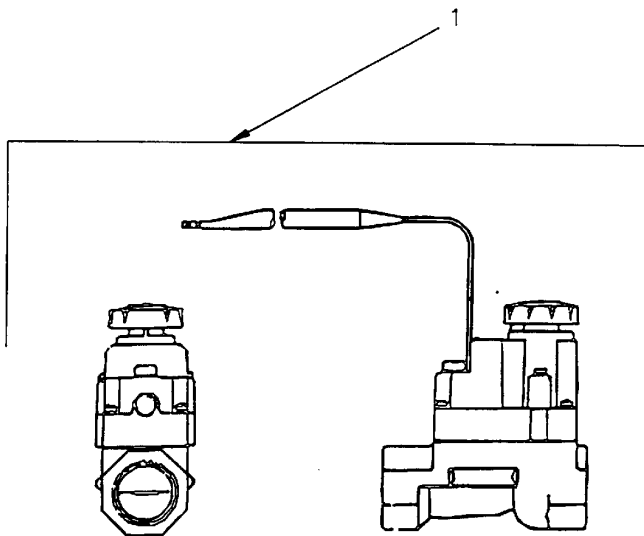


<b>Part No.</b>	<b>Reference No.</b>	<b>Quantity</b>	<b>Description</b>
PIT00088	1	1	PILOT; NATURAL GAS, BURNER ASSEMBLY, INTERMITTENT, 150/400, WITH BRACKET AND TUBING
SCR01120	2	1	SCREW; SLOTTED ROUND HEAD MACHINE, #10-32, 3/16 LENGTH
PIT00026	3	1	PILOT;BURNER,NATURAL R.H, ELECTRONIC IGNITION
SEN00073	4	1	SENSOR;FLAME
BRK01004	5	1	BRACKET; PILOT BURNER
TUB02033	6	1	TUBE;PILOT BURNER,24IN.ALUMINUM,1/4IN.OD
LED00284	7	1	LEAD; SENSING, 58"

HYDRAULIC MODULATING GAS VALVE  
Digit 9 = C or F

75000367

REV  
A

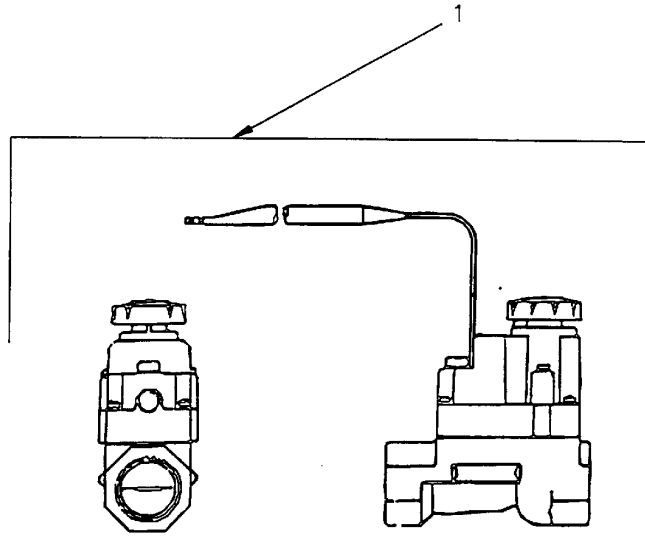


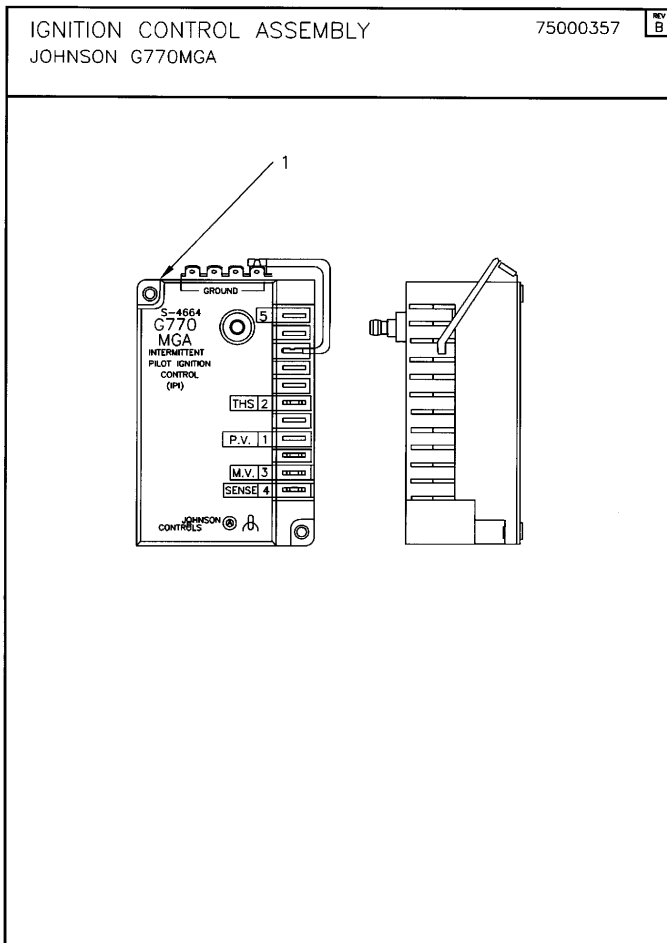
Part No.	Reference No.	Quantity	Description
75000367_UHUP27_126878~P	*		HYDRAULIC MODULATING GAS VALVE PARTS LIST

HYDRAULIC MODULATING GAS VALVE  
Digit 9 = C or F

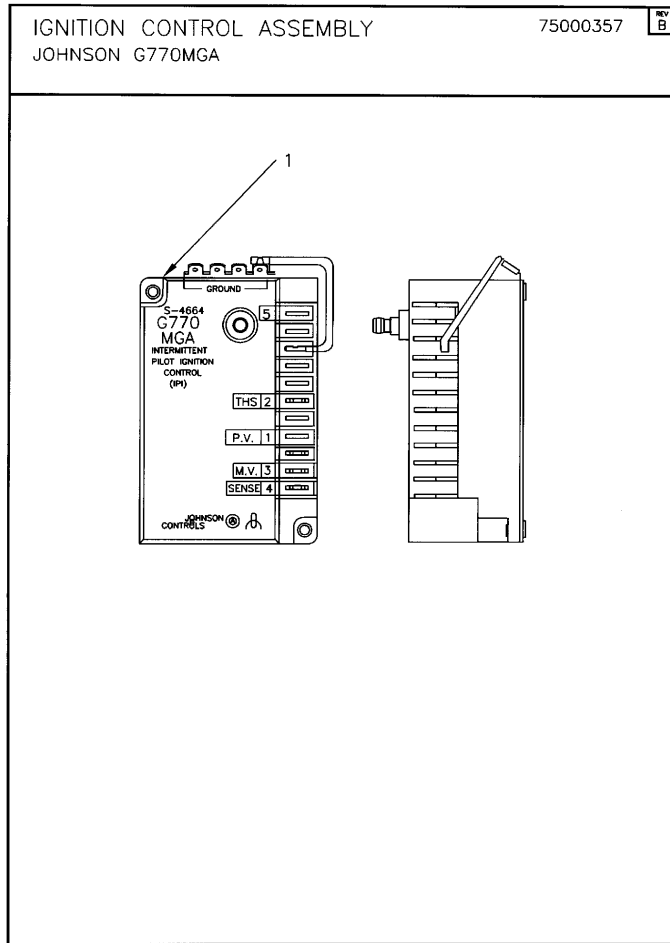
75000367

REV  
A





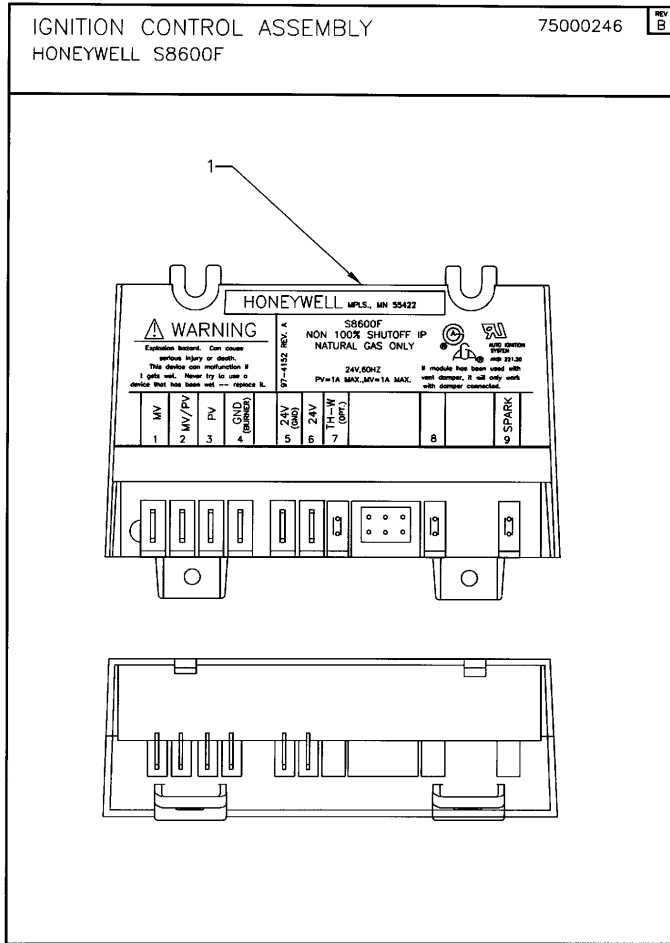
Part No.	Reference No.	Quantity	Description
75000357_UHUP27_126866~P	*		IGNITION CONTROL, G770MGA PARTS LIST



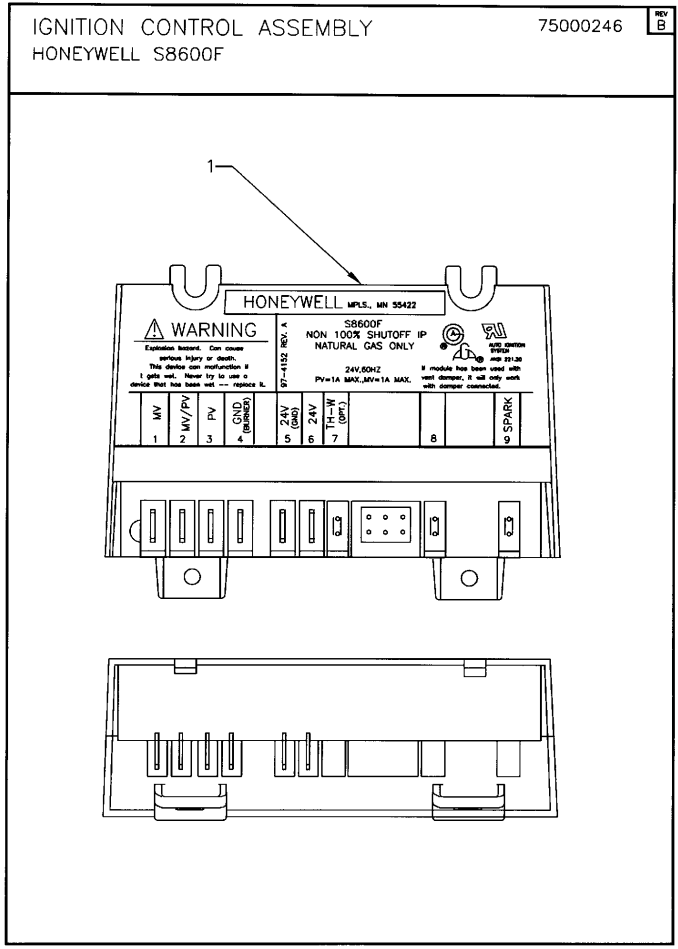
Parts List Number :UHUP2701#UHUP27

Model Number :GHND035ADG10000

<b>Part No.</b>	<b>Reference No.</b>	<b>Quantity</b>	<b>Description</b>
CNT01190	1	1	CONTROL, IGNITION, W/LOCKOUT



Part No.	Reference No.	Quantity	Description
75000246_UHUP27_126849-P	*		IGNITION CONTROL, S8600F PARTS LIST



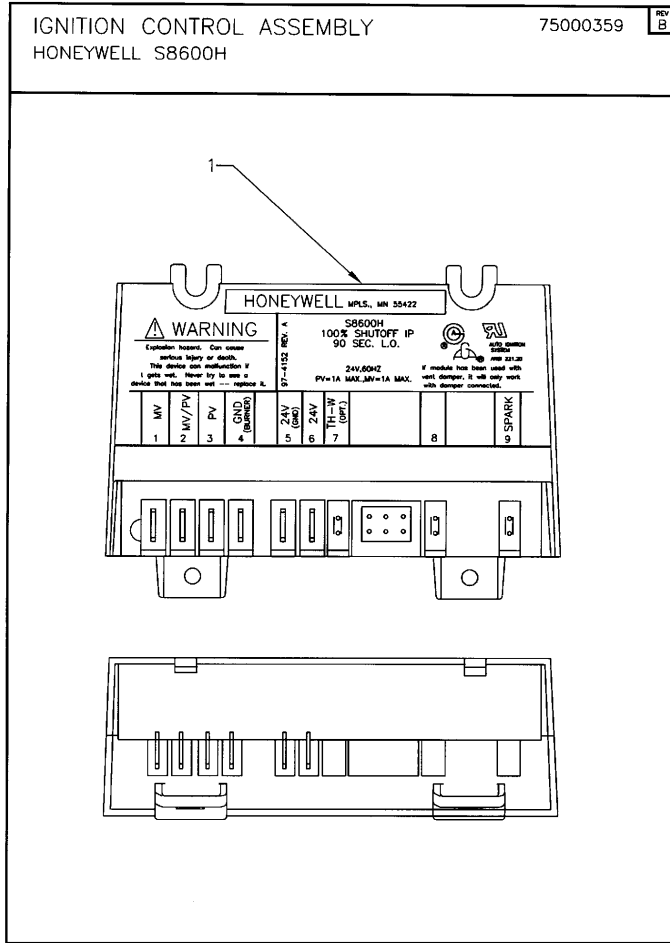
Parts List Number :UHUP2701#UHUP27

Model Number :GHND035ADG10000

<b>Part No.</b>	<b>Reference No.</b>	<b>Quantity</b>	<b>Description</b>
CNT01318	1	1	CONTROL, IGNITION NATURAL GAS(HONEYWELL)



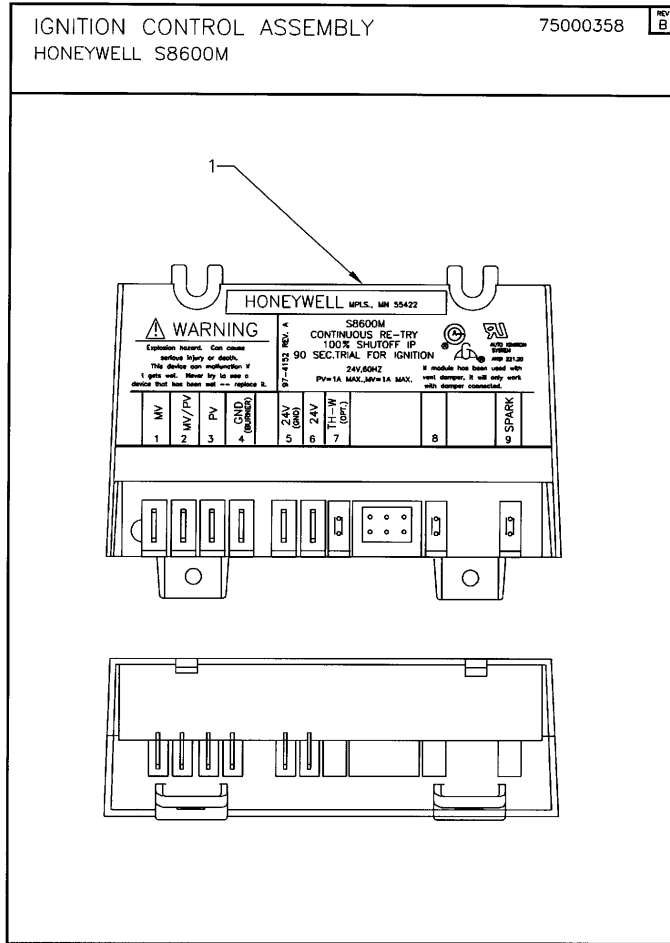
Part No.	Reference No.	Quantity	Description
75000359_UHUP27_126869-P	*		IGNITION CONTROL, S8600H PARTS LIST



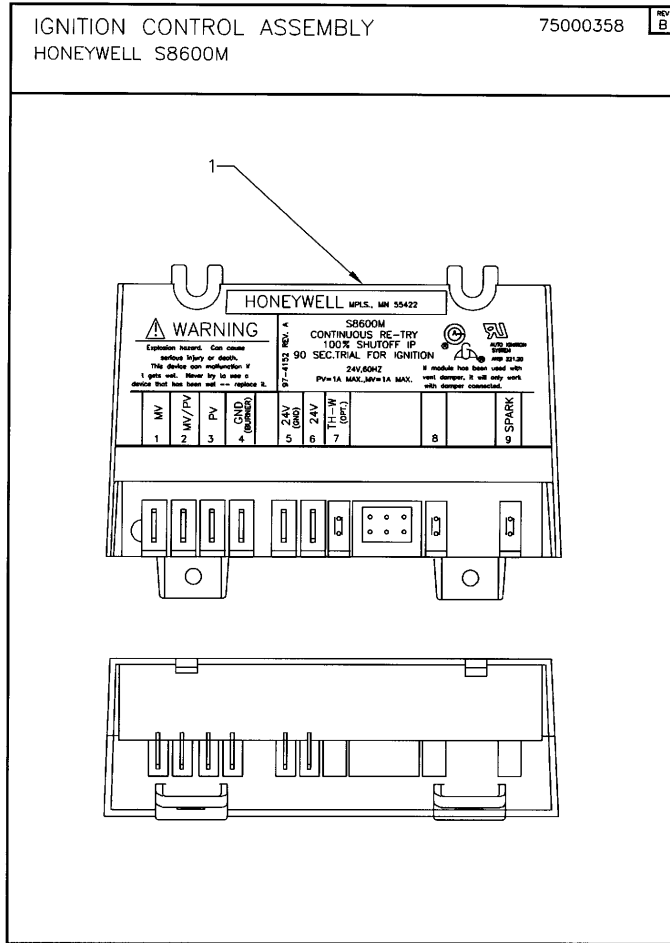
Parts List Number :UHUP2701#UHUP27

Model Number :GHND035ADG10000

<b>Part No.</b>	<b>Reference No.</b>	<b>Quantity</b>	<b>Description</b>
CNT01241	1	1	CONTROL, IGNITION MODULE 90 SEC. MAX. LOCKOUT



Part No.	Reference No.	Quantity	Description
75000358_UHUP27_126867~P	*		IGNITION CONTROL, S8600M PARTS LIST



Parts List Number :UHUP2701#UHUP27

Model Number :GHND035ADG10000

<b>Part No.</b>	<b>Reference No.</b>	<b>Quantity</b>	<b>Description</b>
CNT01466	1	1	CONTROL: IGNITOR, CONTINUOUS RETRY 100 PERCENT SHUTOFF IP

Part No.	Reference No.	Quantity	Description
UHUP2702_UHUP27_149017~P	*		GAS VALVE PARTS LIST

NO GRAPHIC AVAILABLE

75013702

REV  
A

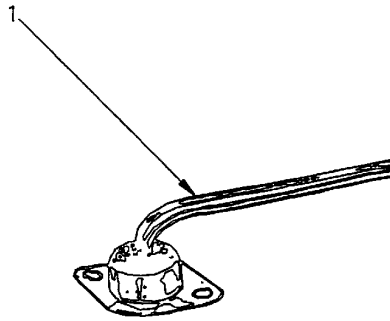
**NO  
GRAPHIC  
AVAILABLE**

<b>Part No.</b>	<b>Reference No.</b>	<b>Quantity</b>	<b>Description</b>
VAL03935	11	1	VALVE;GAS, NATURAL, SPARK IGNITION, 1 STAGE 3/4 X 3/4

ENERGY CUTOFF DEVICE (ECO)

75000368

REV  
A

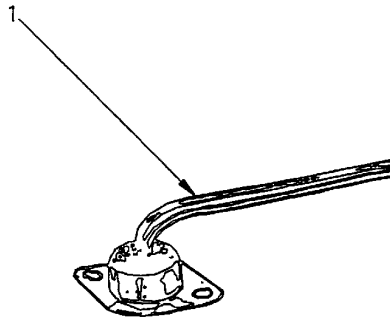


Part No.	Reference No.	Quantity	Description
75000368_UHUP27_126880~P	*		ENERGY CUTOFF DEVICE (ECO) PARTS LIST

ENERGY CUTOFF DEVICE (ECO)

75000368

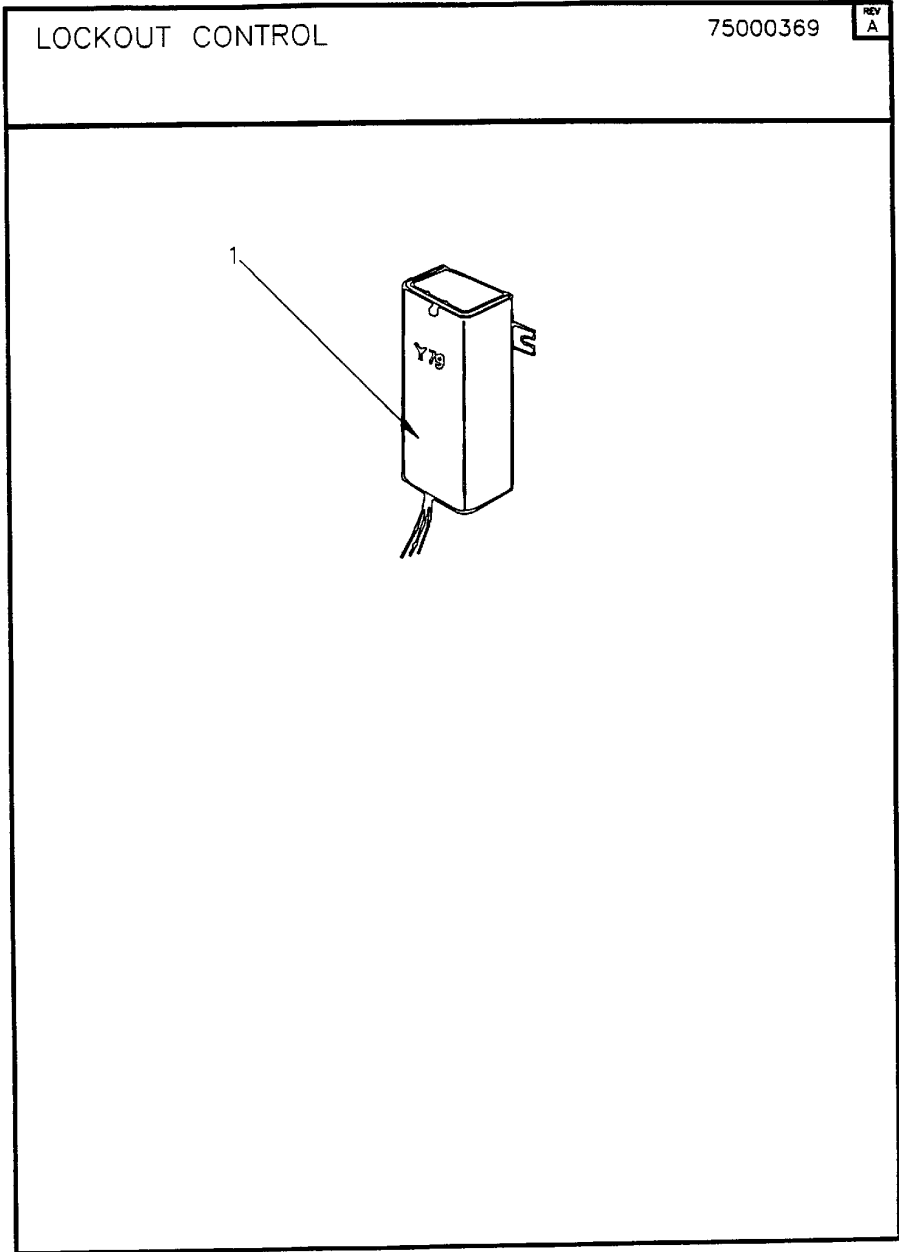
REV  
A



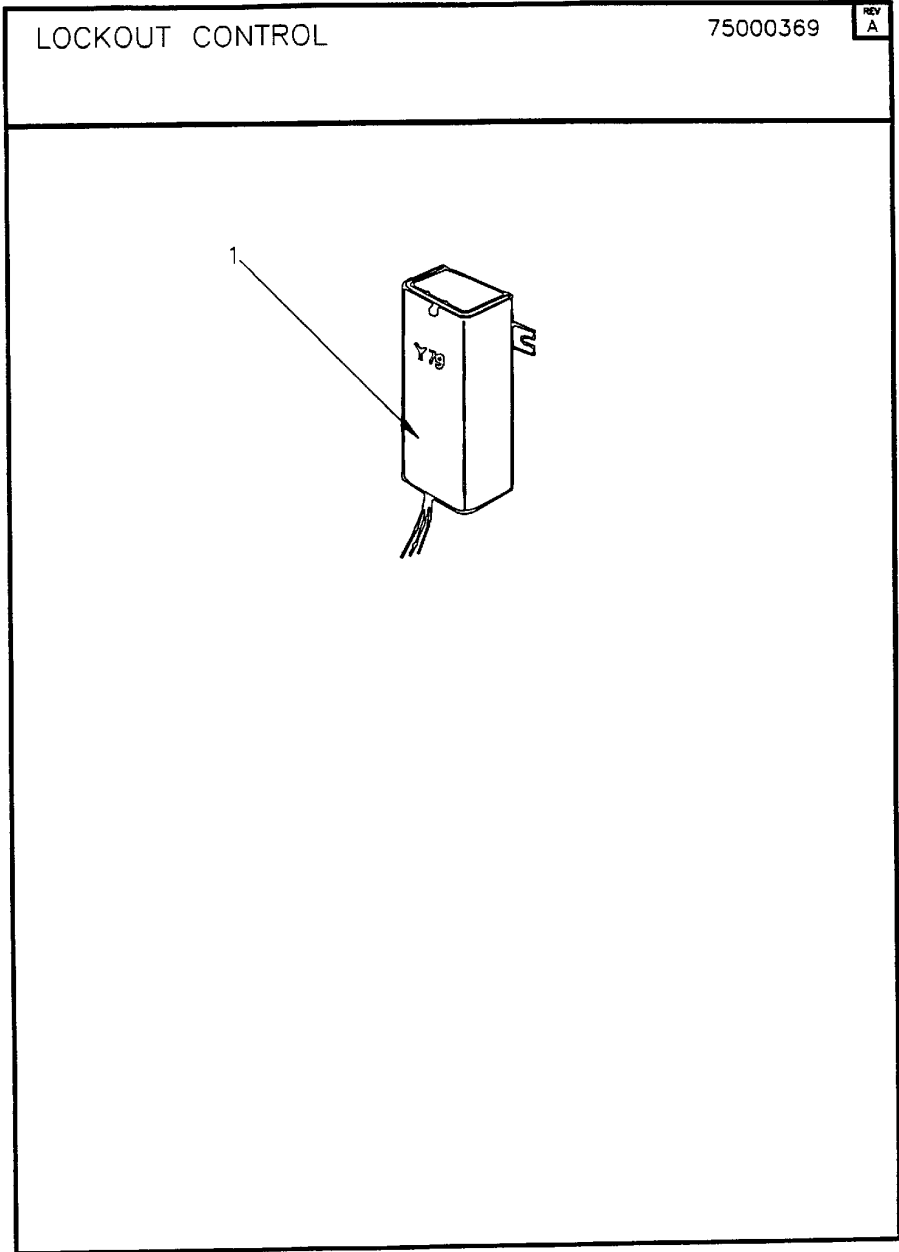
Parts List Number :UHUP2701#UHUP27

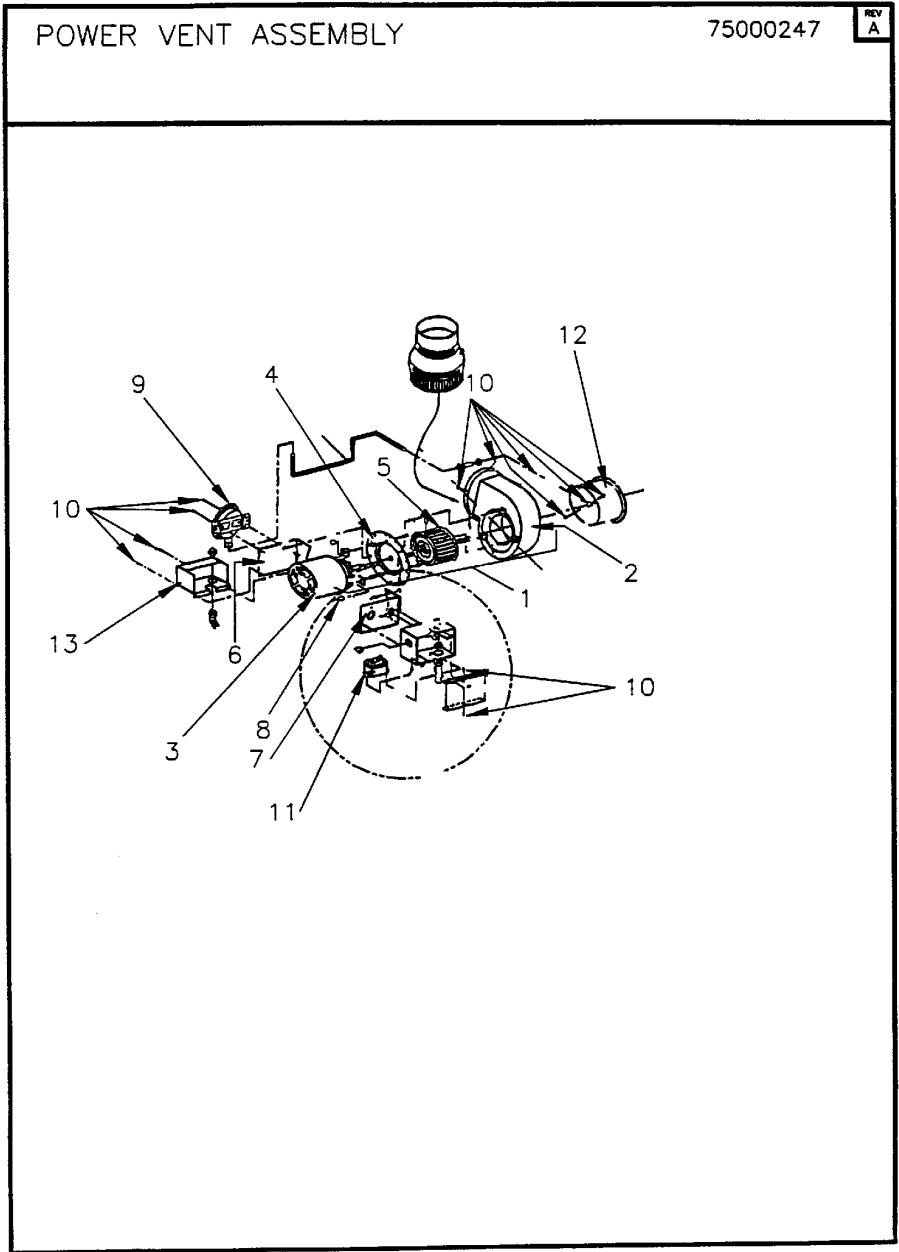
Model Number :GHND035ADG10000

Part No.	Reference No.	Quantity	Description
CNT00927	1	1	CONTROL, TEMP, CUTOFF DEVICE, OPEN 280F, AUTO RESET, NORMALLY CLOSED

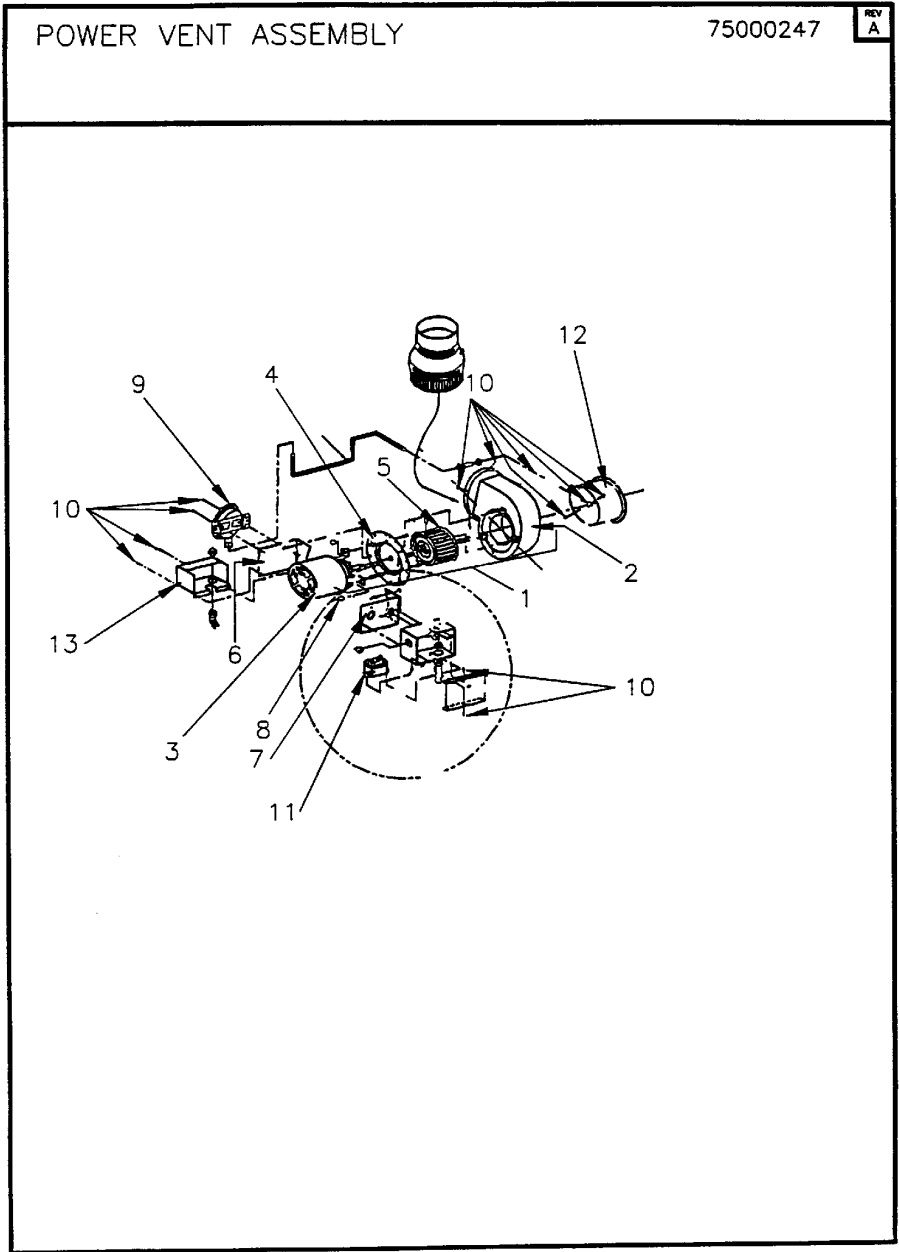


Part No.	Reference No.	Quantity	Description
75000369_UHUP27_126882-P	*		LOCKOUT CONTROL PARTS LIST





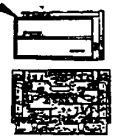















Part No.	Reference No.	Quantity	Description
75000247_UHUP27_128622-P	*		POWER VENT ASSEMBLY PARTS LIST



Part No.	Reference No.	Quantity	Description
BLW00516	1	1	BLOWER; POWER VENT ASSEMBLY
HUS01380	2	1	HOUSING;POWER VENT BLOWER
MOT02690	3	1	MOTOR, POWER VENT(INDUCER), 1/20 HP, 115/60, 1.5 AMPS, 2 POLE,
PLT01122	4	1	PLATE; ADAPTER FOR POWER VENT ASSEMBLY
WHL00509	5	1	WHEEL; DRAFTOR
BRK00947	6	1	BRACKET; PRESSURE SWITCH MOUNTING
BRK00948	7	1	BRACKET;JUNCTION BOX MOUNTING
NUT00685	8	3	NUT;
SWT00645	9	1	SWITCH;CONTROL, PRESSURE, .30 IN WC
SCR00769	10	16	SCREW; #8, PHILIPS PAN HEAD,1/2 IN. LG.
RLY00978	11	1	RELAY; POWER CONTROL, 24V COIL, DPST, 12 AMP AT 125V
FLU00075	12	1	FLUE; VENT
COV01241	13	1	COVER; PRESSURE SWITCH BRACKET

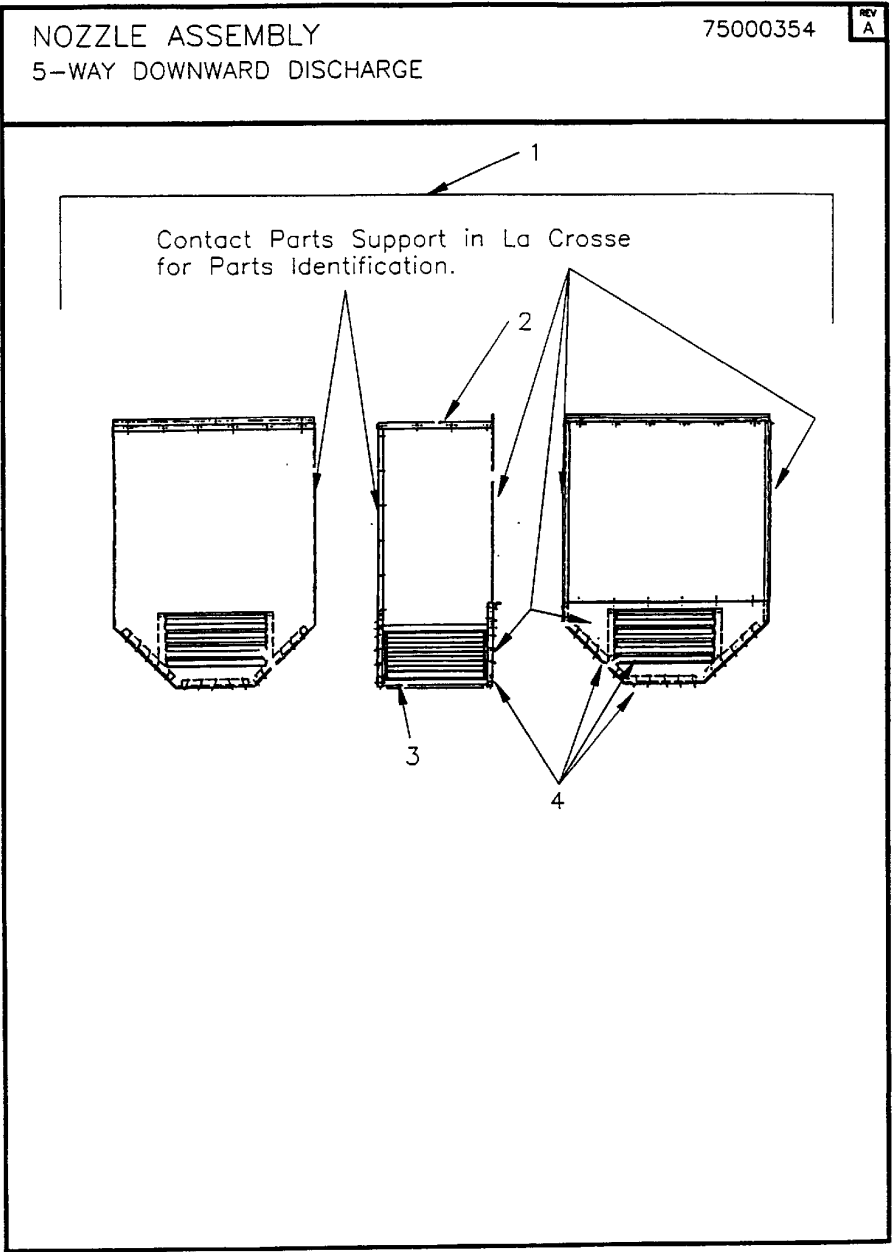
THERMOSTATS AND THERMOSTAT GUARDS 75000355		REV A	
 1	<p><b>THT0440</b>            Single-Stage Room Thermostat            (Sales #350-0015-01)            -Low Voltage (24V)            -55 to 95 F Range            -2 7/8 W x 4 3/4 H x 1 1/8</p>	 2	<p><b>*THT0588</b>            Single-Stage Room Thermostat            (Sales #350-0015-04)            -Line Voltage (120-240V)            -55 to 95 F Range            -3 1/4 W x 5 7/16 H x 1 3/16</p>
 3	<p><b>THT0442</b>            Single-Stage Room Thermostat            with Summer/Winter Switch            (Sales #350-0015-02)            -Low Voltage (24V)            -56 to 94 F Range            -Fan Auto-On Switch            3 1/2 x 4 1/5 x 1 3/8</p>	 4	<p><b>THT0445</b>            Single-Stage Duct Thermostat            (Sales #350-0015-07)            -Low Voltage (24V)            -55 to 175 F Range            5' Capillary            2 x 5 5/8 x 2 7/16</p>
 5 6	<p><b>*THT0584 &amp; BAS0429</b>            Two-Stage Room Thermostat            (Sales #350-0015-03)            -Low Voltage (24V)            -42 to 88 F Range            -Fan Auto-On Switch            -System Off-Auto Switch            -5 5/8 x 3 1/2 x 2 1/8</p>	 8	
 7	<p><b>THT0446</b>            Two-Stage Duct Thermostat            (Sales #350-0015-08)            -Low Voltage (24V)            -55 to 175 F Range            -5' Capillary            2 x 5 5/8 x 2 7/16</p>	<p><b>*COV1006</b>            Universal Guard            (Sales #350-0015-06)            -Clear Plastic            -Ring Base            -Tumbler Lock &amp; Two Keys            -Cover: 6 7/8 x 5 5/8 x 3            -Base: 6 9/16 x 5 1/2 x 3/8</p>	
<p>*Part Number is a Functional Replacement. If Functional Replacement specifications and illustration are needed, See Parts Catalog, Thermostat Section, Literature #RSP-TS-45.1.</p>			

Part No.	Reference No.	Quantity	Description
75000355_UHUP27_126863-P	*		THERMOSTATS & GUARDS PARTS LIST

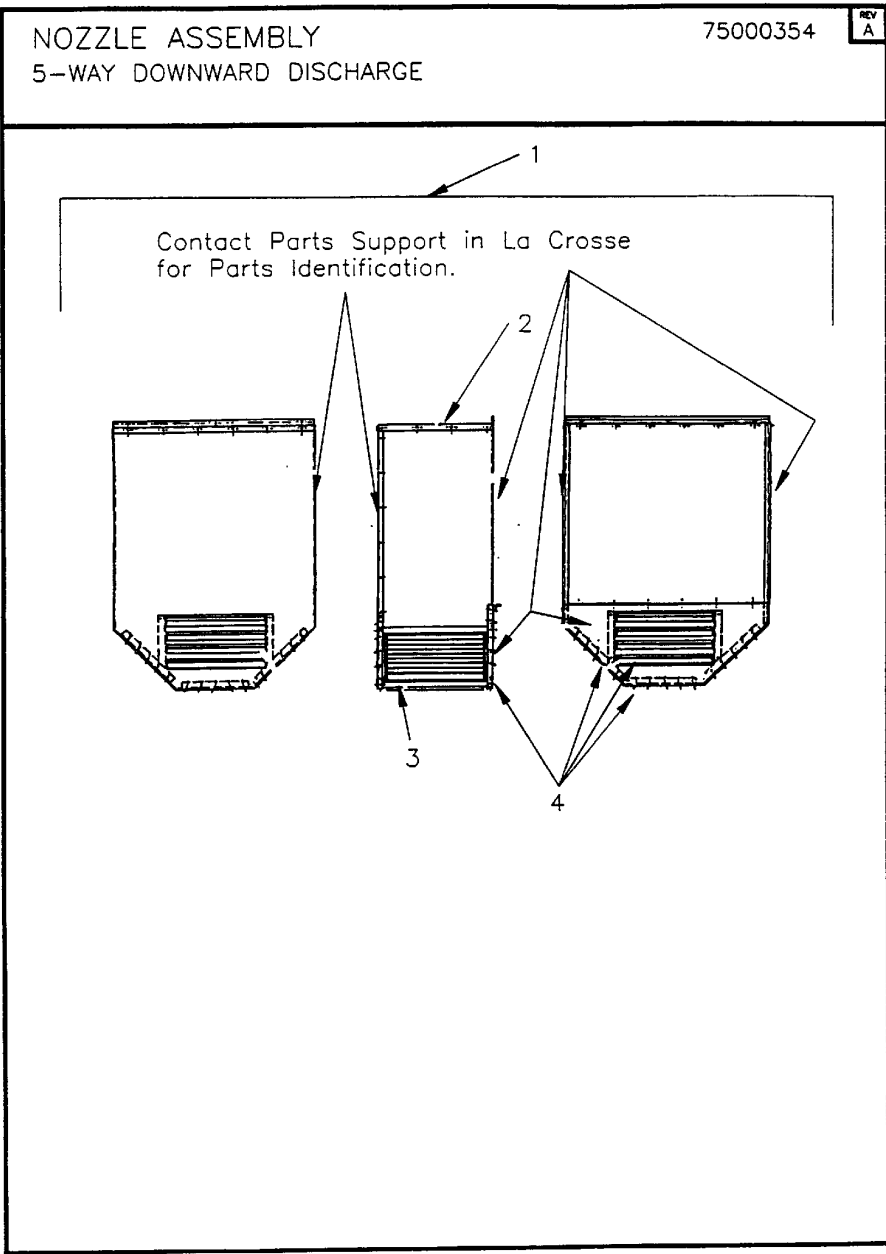
THERMOSTATS AND THERMOSTAT GUARDS 75000355		REV A	
 <p>1</p>	<p><b>THT0440</b>            Single-Stage Room Thermostat            (Sales #350-0015-01)            -Low Voltage (24V)            -55 to 95 F Range            -2 7/8 W x 4 3/4 H x 1 1/8</p>	 <p>2</p>	<p><b>*THT0588</b>            Single-Stage Room Thermostat            (Sales #350-0015-04)            -Line Voltage (120-240V)            -55 to 95 F Range            -3 1/4 W x 5 7/16 H x 1 3/16</p>
 <p>3</p>	<p><b>THT0442</b>            Single-Stage Room Thermostat            with Summer/Winter Switch            (Sales #350-0015-02)            -Low Voltage (24V)            -56 to 94 F Range            -Fan Auto-On Switch            3 1/2 x 4 1/5 x 1 3/8</p>	 <p>4</p>	<p><b>THT0445</b>            Single-Stage Duct Thermostat            (Sales #350-0015-07)            -Low Voltage (24V)            -55 to 175 F Range            5' Capillary            2 x 5 5/8 x 2 7/16</p>
 <p>5</p>	<p><b>*THT0584 &amp; BAS0429</b>            Two-Stage Room Thermostat            (Sales #350-0015-03)            -Low Voltage (24V)            -42 to 88 F Range            -Fan Auto-On Switch            -System Off-Auto Switch            -5 5/8 x 3 1/2 x 2 1/8</p>	 <p>6</p>	<p><b>8</b></p> 
 <p>7</p>	<p><b>THT0446</b>            Two-Stage Duct Thermostat            (Sales #350-0015-08)            -Low Voltage (24V)            -55 to 175 F Range            -5' Capillary            2 x 5 5/8 x 2 7/16</p>		<p><b>*COV1006</b>            Universal Guard            (Sales #350-0015-06)            -Clear Plastic            -Ring Base            -Tumbler Lock &amp; Two Keys            -Cover: 6 7/8 x 5 5/8 x 3            -Base: 6 9/16 x 5 1/2 x 3/8</p>

\*Part Number is a Functional Replacement. If Functional Replacement specifications and illustration are needed, See Parts Catalog, Thermostat Section, Literature #RSP-TS-45.1.

Part No.	Reference No.	Quantity	Description
THT00440	1	1	THERMOSTAT; 1 STAGE LOW VOLTAGE HEATING, .18 TO .8 AMPS OR .32 TO 1.2 AMPS AT 30 VAC, DIMENSIONS: 4.75 X 2.875 X 1.125, CONTAINS MERCURY
THT00588	2	1	THERMOSTAT; LINE VOLTAGE, HEATING ONLY-NO SYSTEM SWITCHING, T451 THERMOSTAT FOR HEATING ONLY, COMBINE T451 THERMOSTAT WITH Q473 SUBBASES TO OBTAIN MANUAL SYSTEM SWITCHING
THT00442	3	1	THERMOSTAT; CONTAINS MERCURY
THT00445	4	1	THERMOSTAT; SINGLE STAGE, DUCTSTAT 55-175 F
THT00584	5	1	THERMOSTAT; MULTISTAGE, 2 STG HEATING, TEMP RANGE 42 F TO 88 F STD, 24-30 VAC, CONTAINS MERCURY
THT00429	6	1	THERMOSTAT; PROGRAM, 1STG HEAT, 1STG COOL, NIGHT SETBACK WITH AUTO CHANGEOVER, 4 TEMPS PER DAY, INSTANT OR TIMED OVERRIDE, SHORT CYCLE PROTECTION, KEYBOARD LOCKOUT, CONTAINS NO MERCURY
THT00446	7	1	THERMOSTAT; 2 STAGE, DUCTSTAT 55-175 F
COV01006	8	1	COVER; KEYLOCK, UNIVERSAL



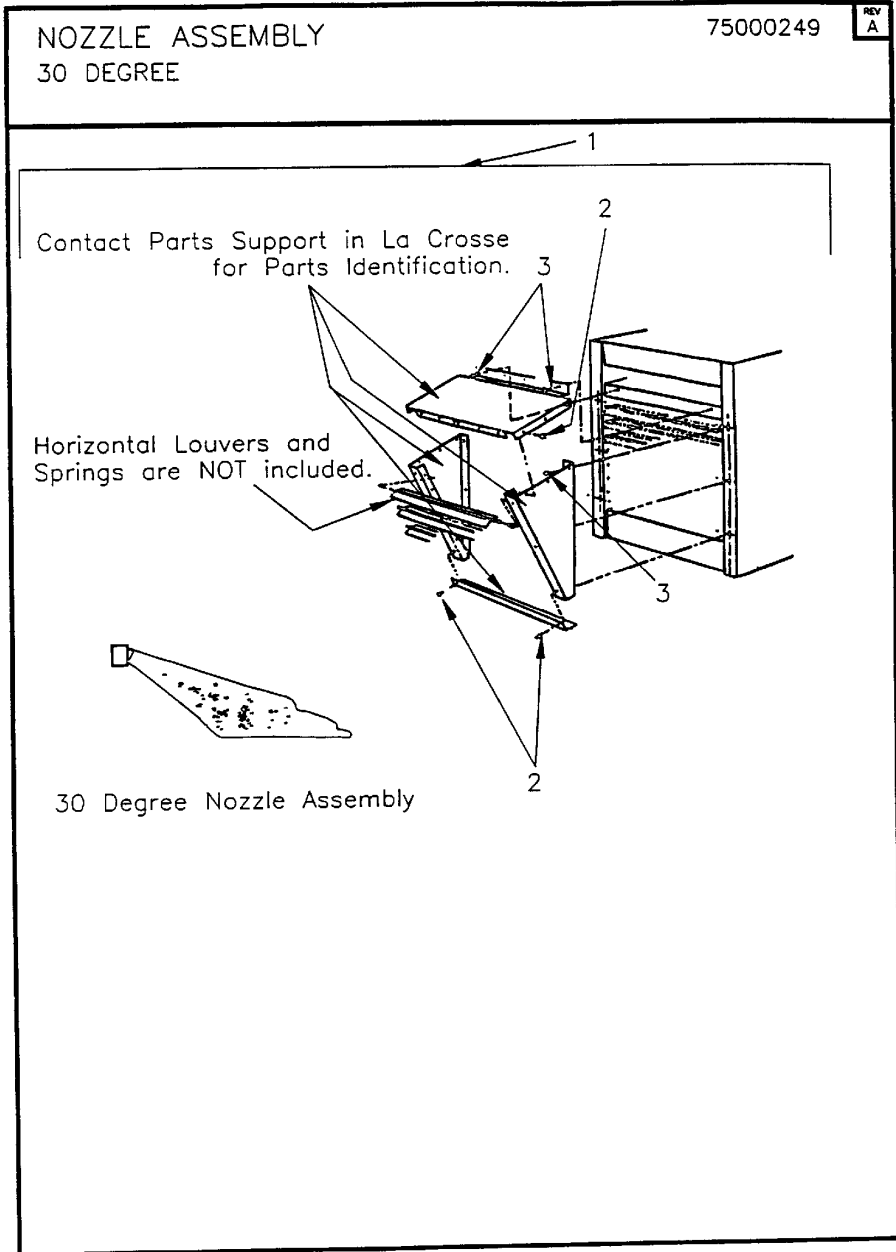
Part No.	Reference No.	Quantity	Description
75000354_UHUP27_198140~P	*		NOZZLE ASM., 5-WAY DOWNWARD DISCHARGE PARTS LIST



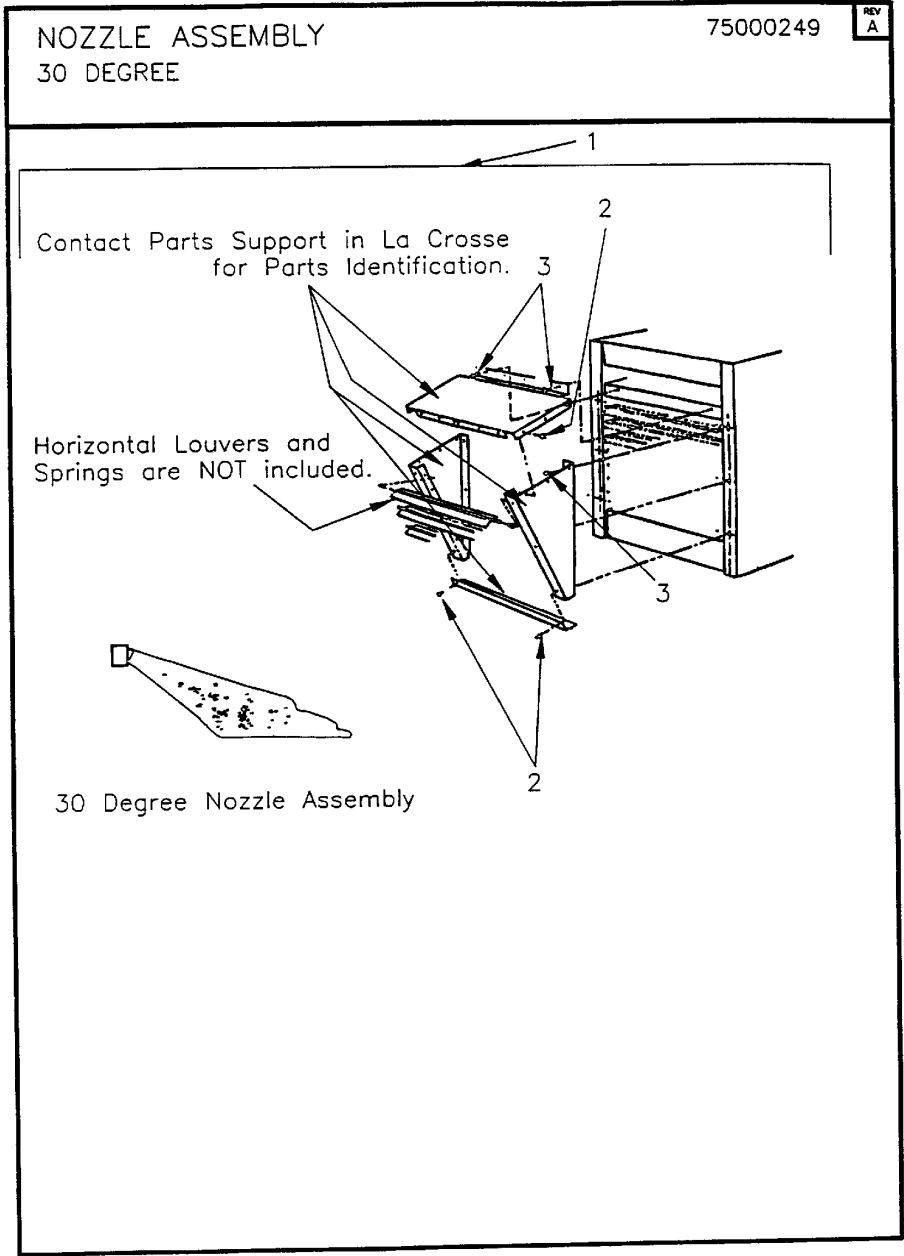
Parts List Number :UHUP2701#UHUP27

Model Number :GHND035ADG10000

<b>Part No.</b>	<b>Reference No.</b>	<b>Quantity</b>	<b>Description</b>
KIT01672	1	1	KIT; Y SPLITTER NOZZLE: LOUVERS, SPRINGS, SHEET METAL
LVR00020	2	16	LOUVER; VERTICAL, ORDER QTY IS PIECES
LVR00025	3	12	LOUVER; HORIZONTAL, DARK GRAY COLOR ORDER PAI0061 AND REPAINT IF EXECUTIVE BEIGE COLOR REQUIRED
SPG00194	4	28	SPRING; CONE, ADJUSTABLE LOUVERS FOR HORZ. AND VERT.(ORDER QTY EQUALS PIECES)



Part No.	Reference No.	Quantity	Description
75000249_UHUP27_198135-P	*		NOZZLE ASSEMBLY, 30 DEGREE PARTS LIST



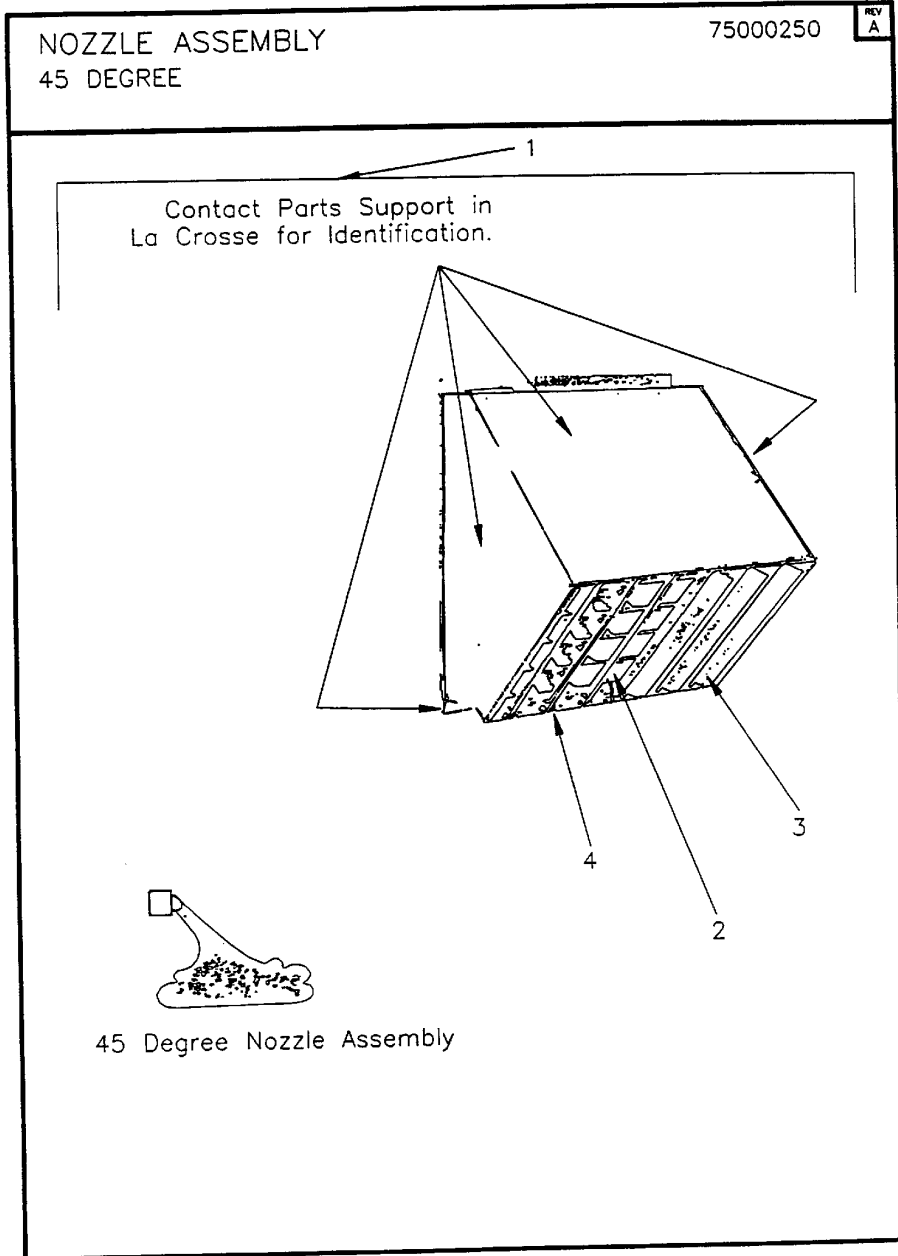
Parts List Number :UHUP2701#UHUP27

Model Number :GHND035ADG10000

<b>Part No.</b>	<b>Reference No.</b>	<b>Quantity</b>	<b>Description</b>
KIT07982	1	1	KIT; DRAFTOR, 30 DEGREE NOZZLE FOR SIZE 350 UNIT
SCR00964	2	8	SCREW; #8, 1/2 IN. LG. SELF TAPPING
SCR00769	3	0	SCREW; #8, PHILIPS PAN HEAD, 1/2 IN. LG.



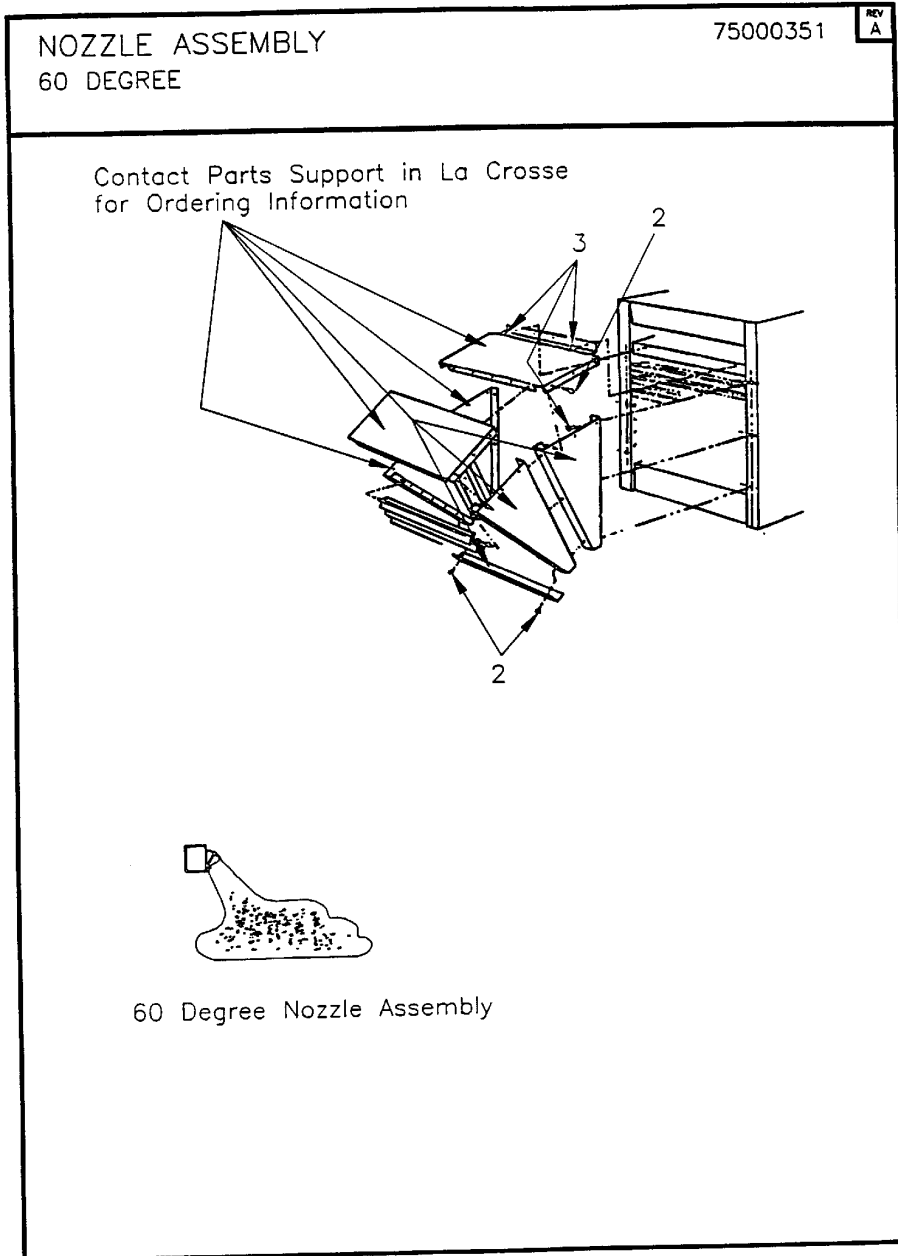
Part No.	Reference No.	Quantity	Description
75000250_UHUP27_198136~P	*		NOZZLE ASSEMBLY, 45 DEGREE PARTS LIST



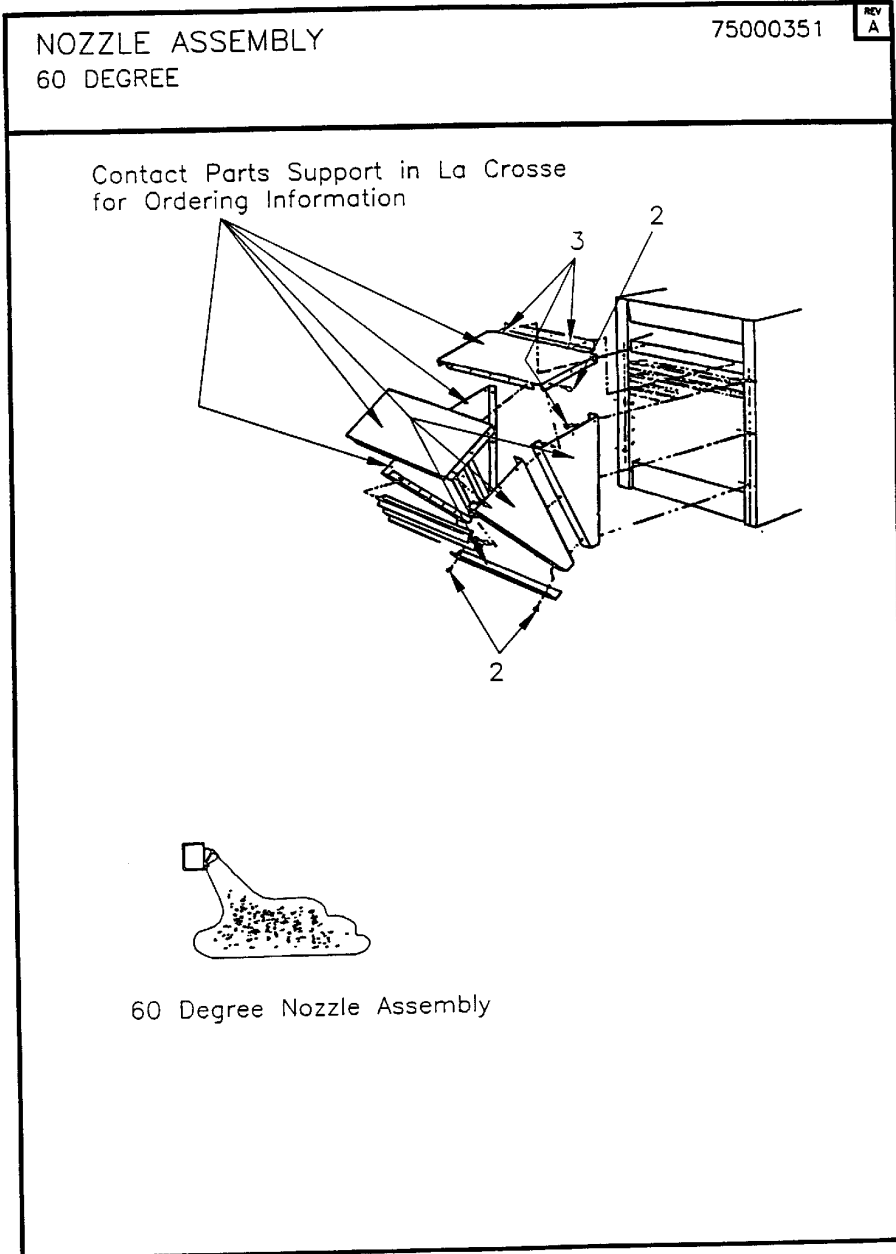
Parts List Number :UHUP2701#UHUP27

Model Number :GHND035ADG10000

<b>Part No.</b>	<b>Reference No.</b>	<b>Quantity</b>	<b>Description</b>
LVR00029	2	5	LOUVER;HORIZONTAL, DARK GRAY COLOR ORDER PAI0061 AND REPAINT IF EXECUTIVE BEIGE COLOR REQUIRED
LVR00060	3	14	LOUVER; NOZZLE VERTICAL, OPTIONAL(CAN BE USED HORIZONTALLY OR VERTICALLY)
SPG00194	4	19	SPRING; CONE, ADJUSTABLE LOUVERS FOR HORZ. AND VERT.(ORDER QTY EQUALS PIECES)



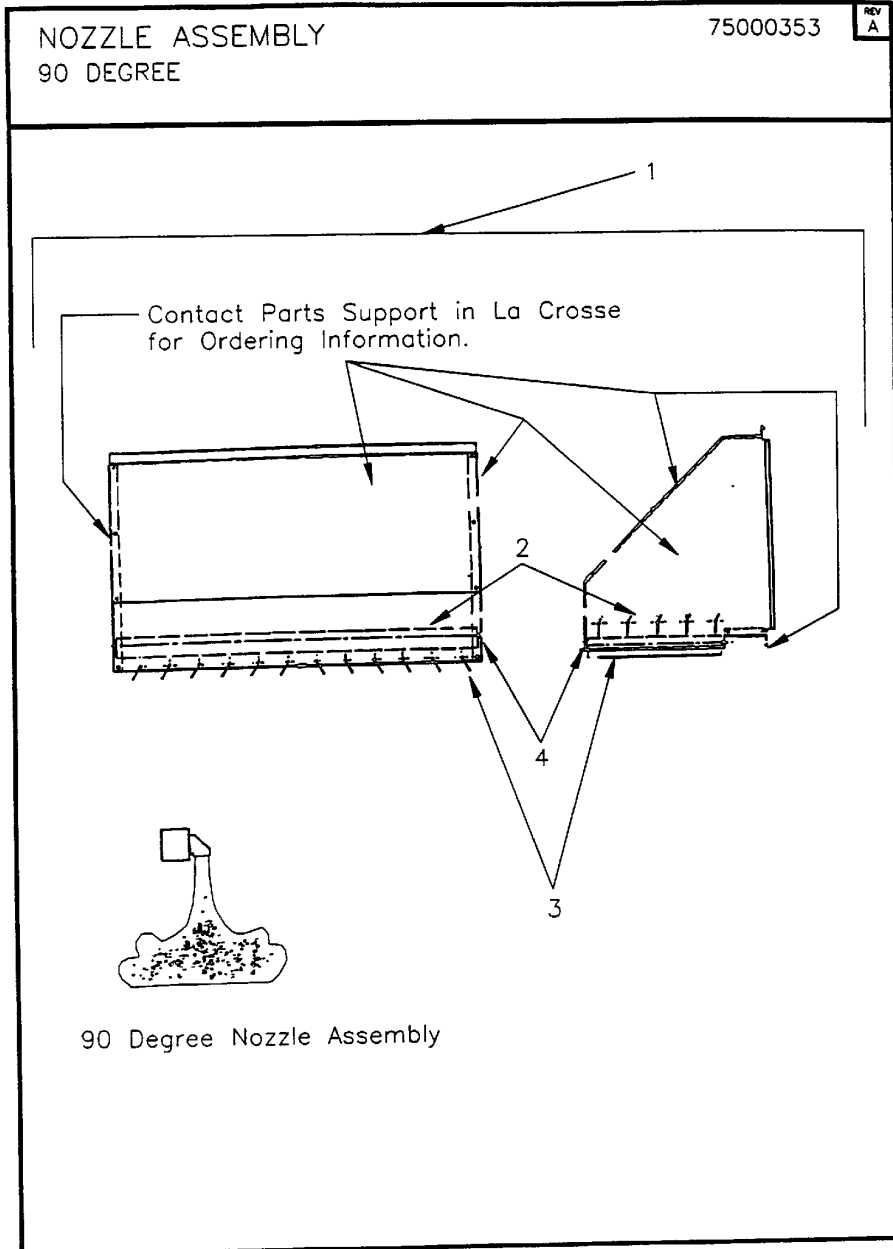
Part No.	Reference No.	Quantity	Description
75000351_UHUP27_198137~P	*		NOZZLE ASSEMBLY, 60 DEGREE PARTS LIST



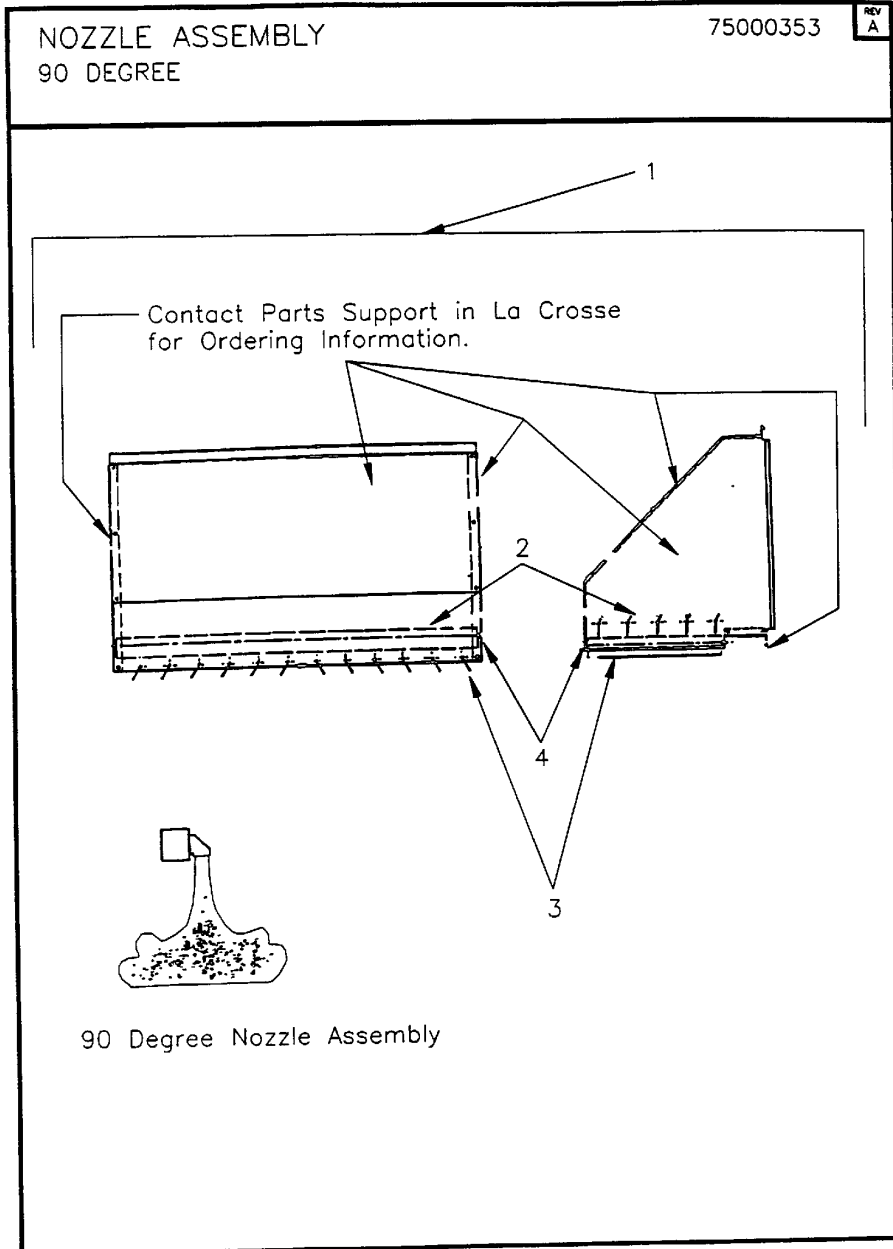
Parts List Number :UHUP2701#UHUP27

Model Number :GHND035ADG10000

<b>Part No.</b>	<b>Reference No.</b>	<b>Quantity</b>	<b>Description</b>
KIT07990	1	1	KIT; DRAFTOR, 60 DEGREE NOZZLE FOR SIZE 350 UNIT
SCR00964	2	22	SCREW; #8, 1/2 IN. LG. SELF TAPPING
SCR00769	3	22	SCREW; #8, PHILIPS PAN HEAD, 1/2 IN. LG.



Part No.	Reference No.	Quantity	Description
75000353_UHUP27_198139-P	*		NOZZLE ASSEMBLY, 90 DEGREE PARTS LIST



Parts List Number :UHUP2701#UHUP27

Model Number :GHND035ADG10000

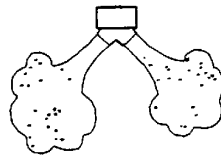
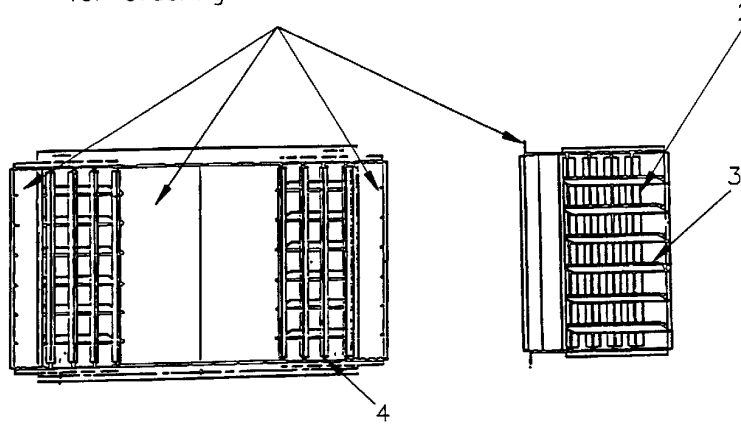
<b>Part No.</b>	<b>Reference No.</b>	<b>Quantity</b>	<b>Description</b>
KIT08051	1	1	KIT; DRAFTOR, 90 DEGREE NOZZLE FOR SIZE 350 UNIT
LVR00029	2	5	LOUVER;HORIZONTAL, DARK GRAY COLOR ORDER PAI0061 AND REPAINT IF EXECUTIVE BEIGE COLOR REQUIRED
LVR00060	3	14	LOUVER; NOZZLE VERTICAL, OPTIONAL(CAN BE USED HORIZONTALLY OR VERTICALLY)
SPG00194	4	19	SPRING; CONE, ADJUSTABLE LOUVERS FOR HORZ. AND VERT.(ORDER QTY EQUALS PIECES)

NOZZLE ASSEMBLY  
"Y" SPLITTER

75000352

REV  
A

Contact Parts Support in La Crosse  
for Ordering Information.



"y" Splitter Nozzle Assembly

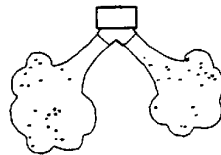
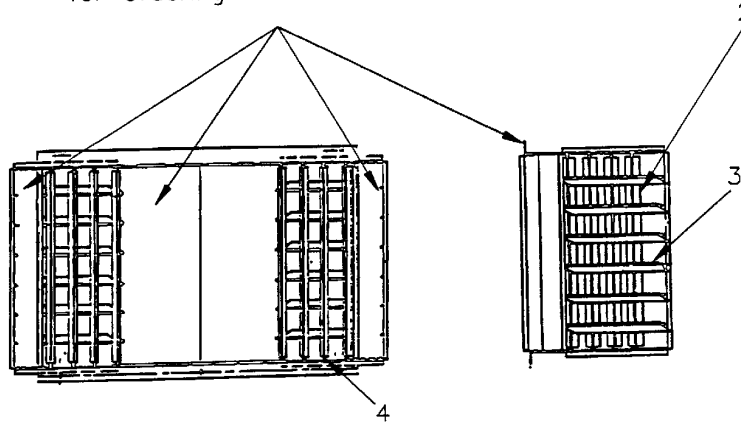
Part No.	Reference No.	Quantity	Description
75000352_UHUP27_198138~P	*		NOZZLE ASSEMBLY, Y SPLITTER PARTS LIST

NOZZLE ASSEMBLY  
"Y" SPLITTER

75000352

REV  
A

Contact Parts Support in La Crosse  
for Ordering Information.



"y" Splitter Nozzle Assembly

Parts List Number :UHUP2701#UHUP27

Model Number :GHND035ADG10000

<b>Part No.</b>	<b>Reference No.</b>	<b>Quantity</b>	<b>Description</b>
KIT01662	1	1	KIT; Y SPLITTER NOZZLE ASSEMBLY
LVR00020	2	16	LOUVER; VERTICAL, ORDER QTY IS PIECES
LVR00025	3	12	LOUVER; HORIZONTAL, DARK GRAY COLOR ORDER PAI0061 AND REPAINT IF EXECUTIVE BEIGE COLOR REQUIRED
SPG00194	4	28	SPRING; CONE, ADJUSTABLE LOUVERS FOR HORZ. AND VERT.(ORDER QTY EQUALS PIECES)

Part No.	Reference No.	Quantity	Description
75000373_UHUP27_126883-P	*		TIME DELAY RELAY PARTS LIST

NO GRAPHIC AVAILABLE

75013702

REV  
A

**NO  
GRAPHIC  
AVAILABLE**

Ref. No.	VA	Primary Voltage	Secondary Voltage	Mounting
1	20	120	24	Foot Mounted
2	40	120	24	4" x 4" Mounting Plate
3	40	208-240	24	4" x 4" Mounting Plate
4	40	480	24	1/2-14 NPSM Single Connection
5	48	120-240	2.5-12-24	4" x 4" Mounting Plate
6	50	230	24	4" x 4" Mounting Plate
7	50	240-480	24	4" x 4" Mounting Plate
8	75	480	24	Foot Mounted
9	100	115	24	4" x 4" Mounting Plate
10	100	208-240	24	4" x 4" Mounting Plate
11	100	240-280	120-240	NEMA Standard Enclosed
12	250	480	24	NEMA Standard Enclosed
13	500	240-280	120-240	NEMA Standard Enclosed

TRANSFORMERS

75000235

REV  
A

TRANSFORMER

To select transformers, the volt amperage (VA) and the primary voltages need to be taken from the existing transformer in the unit and matched to the specifications listed in the following table. If a match cannot be made, reference the standard parts catalog, transformer section, literature # RSP-TS-60.2. If a match cannot be made within the standard parts catalog, contact La Crosse Parts Support.

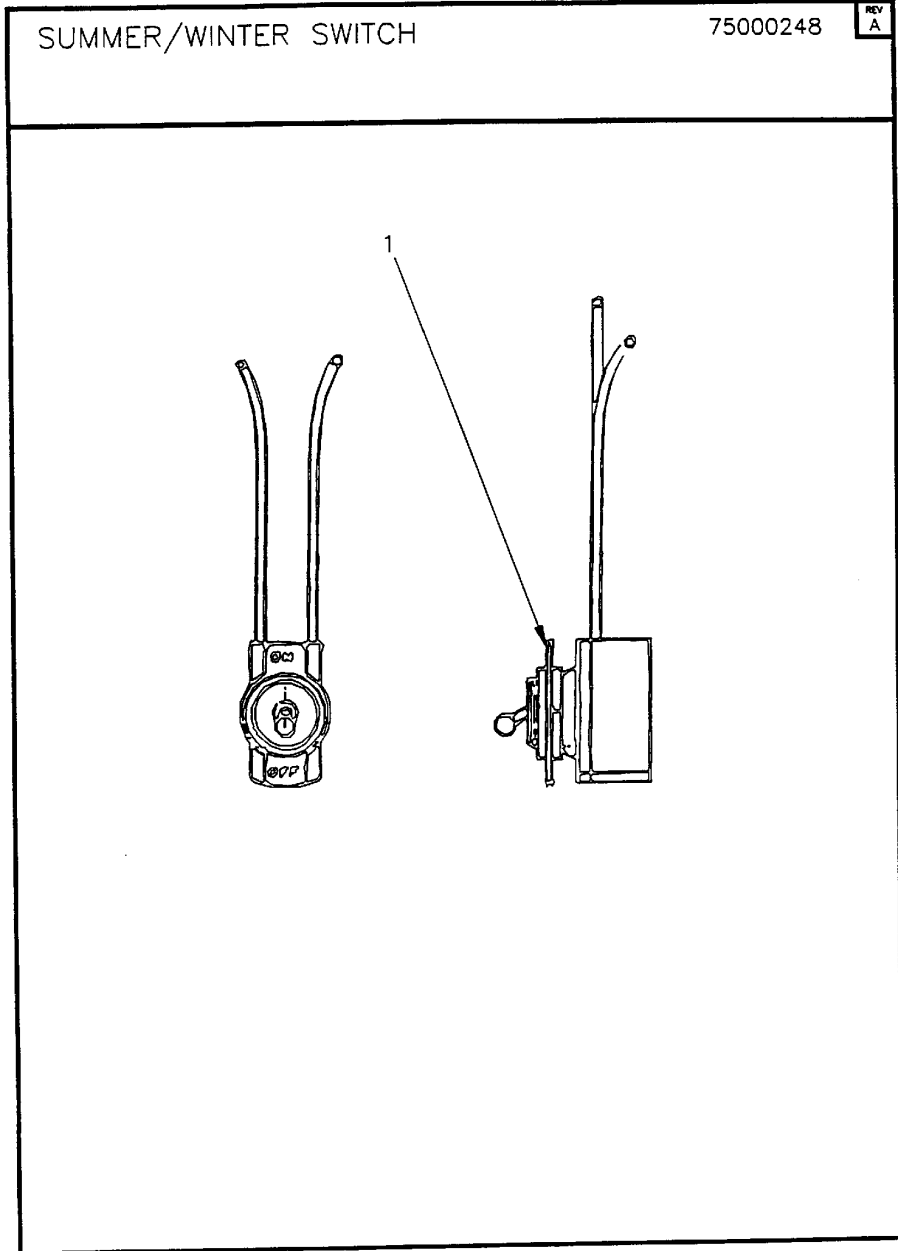
Parts List Number :UHUP2701#UHUP27

Model Number :GHND035ADG10000

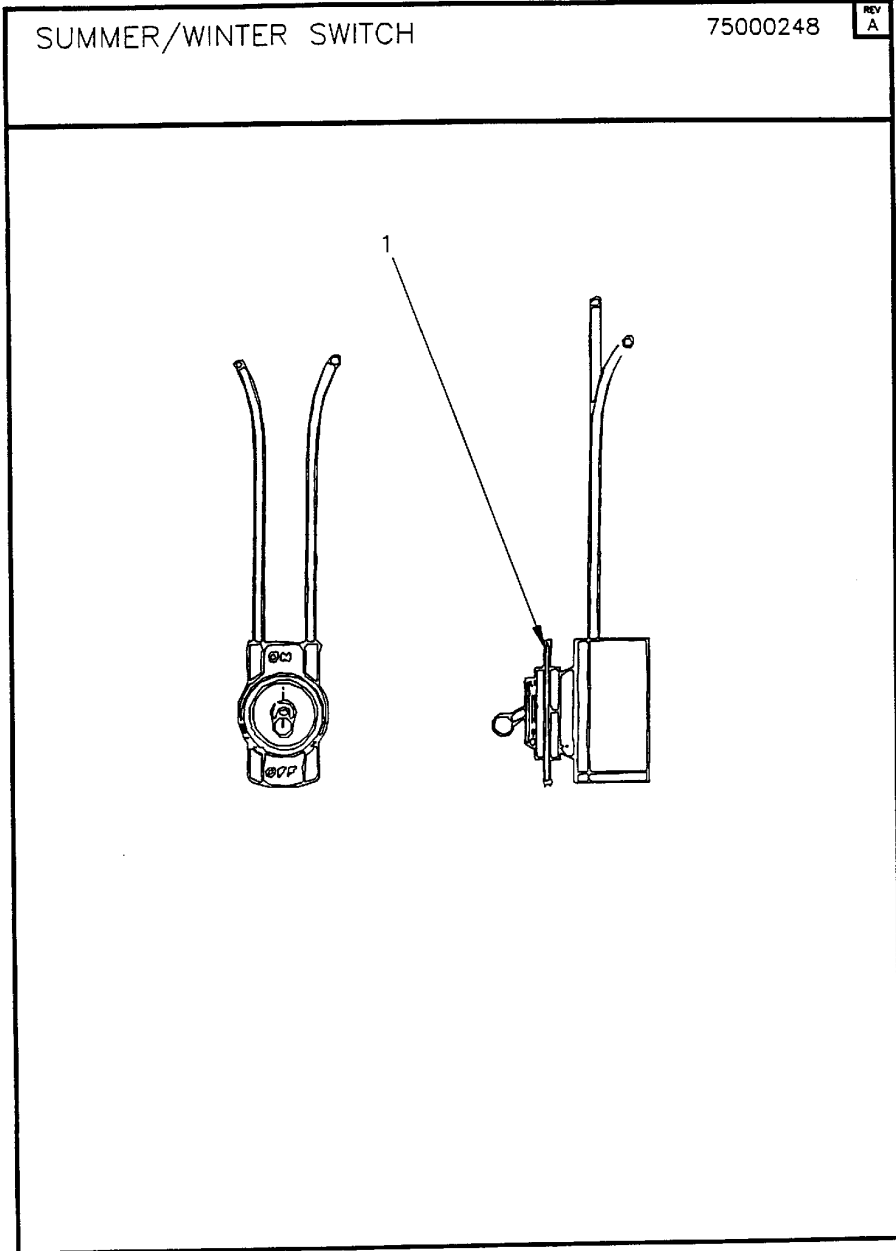
Part No.	Reference No.	Quantity	Description
75000235_UHUP27_126844~P	*		TRANSFORMERS PARTS LIST

Ref. No.	VA	Primary Voltage	Secondary Voltage	Mounting
1	20	120	24	Foot Mounted
2	40	120	24	4" x 4" Mounting Plate
3	40	208-240	24	4" x 4" Mounting Plate
4	40	480	24	1/2-14 NPSM Single Connection
5	48	120-240	2.5-12-24	4" x 4" Mounting Plate
6	50	230	24	4" x 4" Mounting Plate
7	50	240-480	24	4" x 4" Mounting Plate
8	75	480	24	Foot Mounted
9	100	115	24	4" x 4" Mounting Plate
10	100	208-240	24	4" x 4" Mounting Plate
11	100	240-280	120-240	NEMA Standard Enclosed
12	250	480	24	NEMA Standard Enclosed
13	500	240-280	120-240	NEMA Standard Enclosed

Part No.	Reference No.	Quantity	Description
TRR00463	1	1	TRANSFORMER; 20 VA, 120V PRI., 24V SEC.
TRR00465	2	1	TRANSFORMER; 40VA,115-120V PRI., 24V SEC.
TRR00467	3	1	TRANSFORMER; 40VA, 208-240V PRI., 24V SEC.
TRR00370	4	1	TRANSFORMER; 40 VA, 120V PRI., 24V SEC.
TRR00469	5	1	TRANSFORMER; 48 VA, 120-208-240V PRI., 2.5-12-24V SEC.
TRR00372	6	1	TRANSFORMER; 208/240 PRIMARY, 25V SECONDARY, 50 VA
TRR00170	7	1	TRANSFORMER; 50 VA, 240-480V PRI., 24V SEC., FOOT MOUNTED
TRR00661	8	1	TRANSFORMER; 480V PRIMARY, 24V SECONDARY, 75 VA
TRR00429	10	1	TRANSFORMER;208-240 PRIMARY VOLTAGE, 24 SECONDARY VOLTAGE, 100 VA
TRR00432	11	1	TRANSFORMER; 100VA, 240/480V PRIMARY, 120/240V SECONDARY
TRR00662	12	1	TRANSFORMER; 460V PRIMARY, 24V SECONDARY, 250 VA
TRR00433	13	1	TRANSFORMER;500VA, 240-280 PRIMARY VOLTAGE, 120-240 SECONDARY VOLTAGE



Part No.	Reference No.	Quantity	Description
75000248_UHUP27_126852-P	*		SUMMER/WINTER SWITCH PARTS LIST



MODEL NUMBER DESCRIPTION		75000093	REV F
Indoor Gas Heating Units			
Digit 1 — Gas Heating Equipment	Digit 12 — Rooftop Arrangements		
Digit 2 — Unit Type	0 = None (Indoor Unit)		
P = Propeller Fan Unit Heater	S = Special		
B = High Efficiency Centrifugal Fan Unit Heater	Digit 13 — Rooftop Heating Unit		
C = Centrifugal Fan Unit Heater	Motor Selection		
D = Indoor Duct Furnace	S = Special		
L = High Eff. Indoor Duct Furnace	0 = None (Indoor Unit & Rooftop Duct Furnace)		
H = High Efficiency Propeller Fan U.H.	Digit 14 — Rooftop Fan Section		
E = Centrifugal Fan U.H. with Enclosure	0 = None (Indoor Unit & Rooftop Duct Furnace)		
S = Special	S = Special		
Digit 3 — Fuel	Digit 15 — Miscellaneous Options		
N = Natural Gas	All Units		
P = LP Gas (Propane)	0 = None		
S = Special	A = #409 Stainless Steel Burners (see note 2)		
Digit 4 — Design Sequence	B = Orifices for Elevation Above 2000 Feet		
F = Sixth Generation etc	(Specify Elevation)		
Digit 5,6,7 — Input Capacity	S = Special		
Single Furnace	Propeller Fan Unit Heater (Std.,Hi-Effic.&Sep.Comb.)		
003 = 30 MBh	C = #409 Stainless Steel Draft Diverter		
004 = 45 MBh	D = Summer-Winter Switch		
005 = 50 MBh	E = Vertical Louvers		
006 = 60 MBh	J = Totally Enclosed Motor		
007 = 75 MBh	7 = OSHA Fan Guard		
010 = 100 MBh	017 = 175 MBh		
012 = 125 MBh	020 = 200 MBh		
015 = 150 MBh	022 = 225 MBh		
	025 = 250 MBh		
	030 = 300 MBh		
	035 = 350 MBh		
	040 = 400 MBh		
Digit 8 — Main Power Supply	Centrifugal Fan Unit Heater (Std.,Hi-Effic.&Sep.Comb.)		
A = 115/60/1	C = #409 Stainless Steel Draft Diverter		
B = 230/60/1	D = Summer-Winter Switch		
C = 208/60/3	E = Vertical Louvers		
D = 230/60/3	H = Duct Discharge Flange		
E = 460/60/3	J = Totally Enclosed Motor		
F = 575/60/3	Duct Furnace (Indoor)(Std. or Hi-Eff.)		
S = Special	C = #409 Stainless Steel Draft Diverter		
Digit 9 — Gas Control Option	D = Summer-Winter Switch		
A = Single-Stage, Standing Pilot	F = Horizontal Louvers		
B = Two Stage, Standing Pilot	G = Horizontal & Vert. Louvers		
C = Hydraulic Modulating, Standing Pilot *	K = Side Access Burner Drawer (Left Hand) *		
D = Single-Stage, Intermittent Pilot Ignition	L = Fan Time Delay Control		
E = Two-Stage, Intermittent Pilot Ignition	M = Side Access Burner Drawer (Right Hand) *		
F = Hydraulic Modulating, Inter. Pilot, 60-100 Deg.*	Separated Combustion Indoor Duct Furnace		
G = Hydraulic Mod.w/Bypass, Inter. Pilot 60-100 Deg.	C = #409 Stainless Steel Draft Diverter		
H = Elec. Mod. W/Room Stat, Intermittent Pilot Ign.	D = Summer-Winter Switch		
J = Elec. Mod. W/Duct Stat, Intermittent Pilot Ign.	F = Horizontal Louvers		
L = Elec. Mod. W/External 4-20 mA Input	G = Horizontal & Vertical Louvers		
N = Elec. Mod. W/External 0-10 VDC Input	Tubular Heat Exchanger, Propeller Type		
P = Hydraulic Mod., Intermittent Pilot 75-150 Deg.	J = Totally Enclosed Motor		
R = Hydraulic Mod.w/Bypass, Inter.Pilot 75-150 Deg.	7 = OSHA Fan Guard		
S = Special			
*Specify discharge temperature			
Digit 10 — Design Sequence	Notes:		
D = Forth Design	1. Available on the tubular sizes 100-40 only.		
Digit 11 — Heat Exchanger Material	2. Not available for tubular.		
1 = Aluminized Steel	*Opt.M & K are determined by facing the air outlet side of the duct furnace.		
2 = #409 Stainless Steel (see note 1)			
3 = #321 Stainless Steel (see note 2)			
S = Special			

Part No.	Reference No.	Quantity	Description
75000093_UHUP27_126838~P	*		MODEL NUMBER DESCRIPTION PARTS LIST

MODEL NUMBER DESCRIPTION		75000093	REV F
Indoor Gas Heating Units			
Digit 1 — Gas Heating Equipment	Digit 12 — Rooftop Arrangements		
Digit 2 — Unit Type	0 = None (Indoor Unit)		
P = Propeller Fan Unit Heater	S = Special		
B = High Efficiency Centrifugal Fan Unit Heater	Digit 13 — Rooftop Heating Unit		
C = Centrifugal Fan Unit Heater	Motor Selection		
D = Indoor Duct Furnace	S = Special		
L = High Eff. Indoor Duct Furnace	0 = None (Indoor Unit & Rooftop Duct Furnace)		
H = High Efficiency Propeller Fan U.H.	Digit 14 — Rooftop Fan Section		
E = Centrifugal Fan U.H. with Enclosure	0 = None (Indoor Unit & Rooftop Duct Furnace)		
S = Special	S = Special		
Digit 3 — Fuel	Digit 15 — Miscellaneous Options		
N = Natural Gas	All Units		
P = LP Gas (Propane)	0 = None		
S = Special	A = #409 Stainless Steel Burners (see note 2)		
Digit 4 — Design Sequence	B = Orifices for Elevation Above 2000 Feet		
F = Sixth Generation etc	(Specify Elevation)		
Digit 5,6,7 — Input Capacity	S = Special		
Single Furnace	Propeller Fan Unit Heater (Std.,Hi-Effic.&Sep.Comb.)		
003 = 30 MBh 017 = 175 MBh	C = #409 Stainless Steel Draft Diverter		
004 = 45 MBh 020 = 200 MBh	D = Summer-Winter Switch		
005 = 50 MBh 022 = 225 MBh	E = Vertical Louvers		
006 = 60 MBh 025 = 250 MBh	J = Totally Enclosed Motor		
007 = 75 MBh 030 = 300 MBh	7 = OSHA Fan Guard		
010 = 100 MBh 035 = 350 MBh	Centrifugal Fan Unit Heater (Std.,Hi-Effic.&Sep.Comb.)		
012 = 125 MBh 040 = 400 MBh	C = #409 Stainless Steel Draft Diverter		
015 = 150 MBh	D = Summer-Winter Switch		
Digit 8 — Main Power Supply	E = Vertical Louvers		
A = 115/60/1	H = Duct Discharge Flange		
B = 230/60/1	J = Totally Enclosed Motor		
C = 208/60/3	Duct Furnace (Indoor)(Std. or Hi-Eff.)		
D = 230/60/3	C = #409 Stainless Steel Draft Diverter		
E = 460/60/3	D = Summer-Winter Switch		
F = 575/60/3	F = Horizontal Louvers		
S = Special	G = Horizontal & Vert. Louvers		
Digit 9 — Gas Control Option	K = Side Access Burner Drawer (Left Hand) *		
A = Single-Stage, Standing Pilot	L = Fan Time Delay Control		
B = Two Stage, Standing Pilot	M = Side Access Burner Drawer (Right Hand) *		
C = Hydraulic Modulating, Standing Pilot *	Separated Combustion Indoor Duct Furnace		
D = Single-Stage, Intermittent Pilot Ignition	C = #409 Stainless Steel Draft Diverter		
E = Two-Stage, Intermittent Pilot Ignition	D = Summer-Winter Switch		
F = Hydraulic Modulating, Inter. Pilot, 60-100 Deg.*	F = Horizontal Louvers		
G = Hydraulic Mod.w/Bypass, Inter. Pilot 60-100 Deg.	G = Horizontal & Vertical Louvers		
H = Elec. Mod. W/Room Stat, Intermittent Pilot Ign.	Tubular Heat Exchanger, Propeller Type		
J = Elec. Mod. W/Duct Stat, Intermittent Pilot Ign.	J = Totally Enclosed Motor		
L = Elec. Mod. W/External 4-20 mA Input	7 = OSHA Fan Guard		
N = Elec. Mod. W/External 0-10 VDC Input			
P = Hydraulic Mod., Intermittent Pilot 75-150 Deg.			
R = Hydraulic Mod.w/Bypass, Inter.Pilot 75-150 Deg.			
S = Special			
*Specify discharge temperature			
Digit 10 — Design Sequence	Notes:		
D = Forth Design	1. Available on the tubular sizes 100-40 only.		
Digit 11 — Heat Exchanger Material	2. Not available for tubular.		
1 = Aluminized Steel			
2 = #409 Stainless Steel (see note 1)	*Opt.M & K are determined by facing the air		
3 = #321 Stainless Steel (see note 2)	outlet side of the duct furnace.		
S = Special			

Part No.	Reference No.	Quantity	Description
UHUP2723_UHUP27_128645~P	*		CANADIAN STD. VENT OR ADAPTER PARTS LIST

NO GRAPHIC AVAILABLE

75013702

REV  
A

**NO  
GRAPHIC  
AVAILABLE**

Parts List Number :UHUP2701#UHUP27

Model Number :GHND035ADG10000

<b>Part No.</b>	<b>Reference No.</b>	<b>Quantity</b>	<b>Description</b>
ADP00490	*	1	ADAPTER;
CAP00550	*	1	CAP; VENT 6 INCH