

TABLE OF CONTENTS

75010446

REV
A

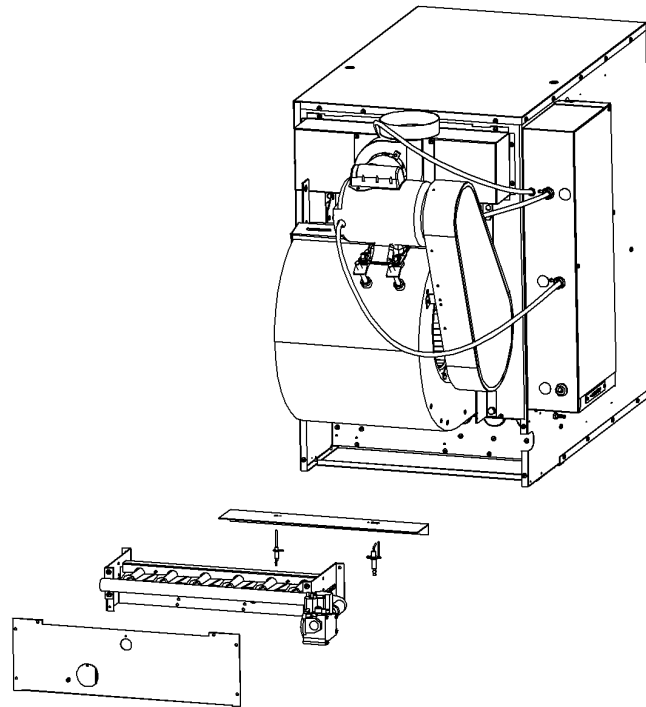


TABLE OF CONTENTS

SECTION 01	MODEL NOMENCLATURE
SECTION 02	HEAT EXCHANGERS, FLU COLLECTOR, POWER VENTER & TURBULATORS
SECTION 03	MANIFOLD BURNER ASSEMBLY
SECTION 04	ELECTRICAL CONTROL BOX
SECTION 05	BLOWER ASSEMBLY
SECTION 06	PANELS AND LOUVERS
SECTION 07	MAGNETIC STARTER PARTS
SECTION 08	GAS CONTROL PARTS
SECTION 09	FACTORY & FIELD INSTALLED OPTIONS, KITS & ADDITIONAL GBNE & GBPE PARTS

Part No.	Reference No.	Quantity	Description
75010443#GBNEUP1~S	*		BLOWER ASSEMBLY
75010410#GBNEUP1~S	*		ELECTRICAL CONTROL BOX
75010445#GBNEUP1~S	*		FACTORY & FIELD INSTALLED OPTIONS, KITS & ADDITIONAL GBNE & GBPE PARTS
GBNE1001#GBNEUP1~S	*		GAS CONTROL PARTS
75010408#GBNEUP1~S	*		HEAT EXCHANGERS, FLU COLLECTOR, POWER VENTER & TURBULATORS
GBNE1000#GBNEUP1~S	*		MAGNETIC STARTER PARTS
75010409#GBNEUP1~S	*		MANIFOLD BURNER ASSEMBLY
75010351#GBNEUP1~S	*		MODEL NUMBER DESCRIPTION
75010444#GBNEUP1~S	*		PANELS & LOUVERS
75010446_GBNEUP1_139745~P	*		TABLE OF CONTENTS PARTS LIST

TABLE OF CONTENTS

75010446

REV
A

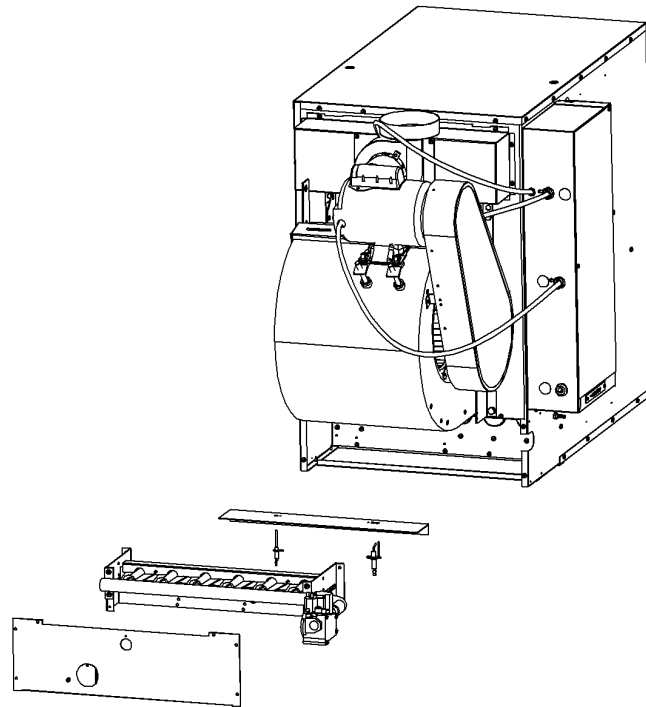


TABLE OF CONTENTS

SECTION 01	MODEL NOMENCLATURE
SECTION 02	HEAT EXCHANGERS, FLU COLLECTOR, POWER VENTER & TURBULATORS
SECTION 03	MANIFOLD BURNER ASSEMBLY
SECTION 04	ELECTRICAL CONTROL BOX
SECTION 05	BLOWER ASSEMBLY
SECTION 06	PANELS AND LOUVERS
SECTION 07	MAGNETIC STARTER PARTS
SECTION 08	GAS CONTROL PARTS
SECTION 09	FACTORY & FIELD INSTALLED OPTIONS, KITS & ADDITIONAL GBNE & GBPE PARTS

MODEL NUMBER DESCRIPTION		75010351	REV A
Indoor Gas Heating Units			
MODEL NUMBER EXAMPLE			
G B N E O 2 0 A T A 1 0 0 0 J			
1 2 3 4 5 6 7 8 9 10 11 12 13 14 15			
Digit 1 - Gas Heating Equipment	Digit 12 - Rooftop Arrangements		
G = Gas Heating	0 = None (Indoor Unit)		
	S = Special		
Digit 2 - Unit Type	Digit 13 - Rooftop Heating Unit Motor Selection		
B = Tubular Blower	S = Special		
Digit 3 - Fuel Type	Digit 14 - Rooftop Fan Section		
N = Natural Gas	0 = None (Indoor Unit & Rooftop Duct Furnace)		
P = LP Gas (Propane)	Digit 15 - Miscellaneous Options		
S = Special	0 = None		
Digit 4 - Development Sequence	A = #409 Stainless Steel Burners		
E = Fifth Generation etc	B = Air Pressure Switch for Elevation Above 5000 Feet		
Digit 5,6,7 - Input Capacity	C = #409 Stainless Steel Flue Collector		
010 = 100 MBh	D = Summer-Winter Switch		
012 = 125 MBh	E = Vertical Louvers		
015 = 150 MBh	H = Duct Discharge Flange		
017 = 175 MBh	J = Totally Enclosed Motor		
020 = 200 MBh	3 = Premium Efficiency, Open Drip Proof		
025 = 250 MBh	4 = Premium Efficiency, Totally Enclosed		
030 = 300 MBh			
035 = 350 MBh			
040 = 400 MBh			
Digit 8 - Main Power Supply			
A = 115/60/1			
B = 230/60/1			
C = 208/60/3			
D = 230/60/3			
E = 460/60/3			
F = 575/60/3			
G = 208/60/1			
S = Special			
Digit 9 = Gas Control Option			
H = Electronic Modulating W/Room Sensing			
J = Electronic Modulating W/Duct Sensing			
L = Electronic Modulating W/External 4-20 mA Input			
N = Electronic Modulating W/External 0-10 VDC Input			
T = Single Stage, Direct Spark Ignition			
V = Two Stage, Direct Spark Ignition			
W = Electronic Modulation w/Duct Sensing & Room Override Stat			
S = Special			
Digit 10 - Design Sequence			
A = First Design			
Digit 11 = Heat Exchanger Material			
1 = Standard (Aluminized Steel)			
2 = #409 Stainless Steel			
S = Special			

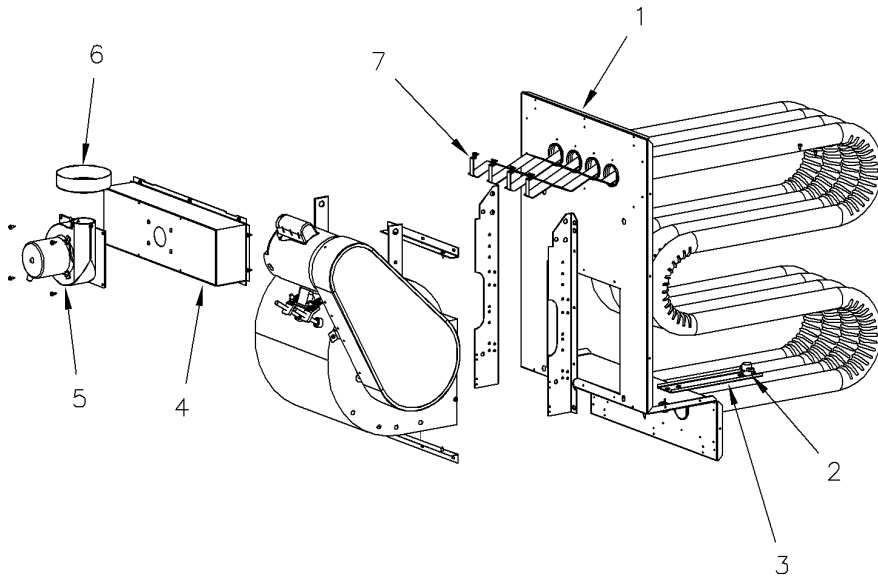
Part No.	Reference No.	Quantity	Description
75010351_GBNEUP1_139747~P	*		MODEL NUMBER DESCRIPTION PARTS LIST

MODEL NUMBER DESCRIPTION		75010351	REV A
Indoor Gas Heating Units			
MODEL NUMBER EXAMPLE			
G B N E 0 2 0 A T A 1 0 0 0 J			
1 2 3 4 5 6 7 8 9 10 11 12 13 14 15			
Digit 1 - Gas Heating Equipment		Digit 12 - Rooftop Arrangements	
G = Gas Heating		0 = None (Indoor Unit)	
		S = Special	
Digit 2 - Unit Type		Digit 13 - Rooftop Heating Unit	
B = Tubular Blower		Motor Selection	
		S = Special	
Digit 3 - Fuel Type		0 = None (Indoor Unit & Rooftop Duct Furnace)	
N = Natural Gas		Digit 14 - Rooftop Fan Section	
P = LP Gas (Propane)		0 = None (Indoor Unit & Rooftop Duct Furnace)	
S = Special		S = Special	
Digit 4 - Development Sequence		Digit 15 - Miscellaneous Options	
E = Fifth Generation etc		0 = None	
		A = #409 Stainless Steel Burners	
Digit 5,6,7 - Input Capacity		B = Air Pressure Switch for Elevation Above 5000 Feet	
010 = 100 MBh		C = #409 Stainless Steel Flue Collector	
012 = 125 MBh		D = Summer-Winter Switch	
015 = 150 MBh		E = Vertical Louvers	
017 = 175 MBh		H = Duct Discharge Flange	
020 = 200 MBh		J = Totally Enclosed Motor	
025 = 250 MBh		3 = Premium Efficiency, Open Drip Proof	
030 = 300 MBh		4 = Premium Efficiency, Totally Enclosed	
035 = 350 MBh			
040 = 400 MBh			
Digit 8 - Main Power Supply			
A = 115/60/1			
B = 230/60/1			
C = 208/60/3			
D = 230/60/3			
E = 460/60/3			
F = 575/60/3			
G = 208/60/1			
S = Special			
Digit 9 = Gas Control Option			
H = Electronic Modulating W/Room Sensing			
J = Electronic Modulating W/Duct Sensing			
L = Electronic Modulating W/External 4-20 mA Input			
N = Electronic Modulating W/External 0-10 VDC Input			
T = Single Stage, Direct Spark Ignition			
V = Two Stage, Direct Spark Ignition			
W = Electronic Modulation w/Duct Sensing & Room			
Override Stat			
S = Special			
Digit 10 - Design Sequence			
A = First Design			
Digit 11 = Heat Exchanger Material			
1 = Standard (Aluminized Steel)			
2 = #409 Stainless Steel			
S = Special			

HEAT EXCHANGER, FLU COLLECTOR
POWER VENTER & TURBULATORS

75010408

REV
A



TYPICAL ILLUSTRATION
* NOT ILLUSTRATED

Parts List Number :75010446#GBNEUP1

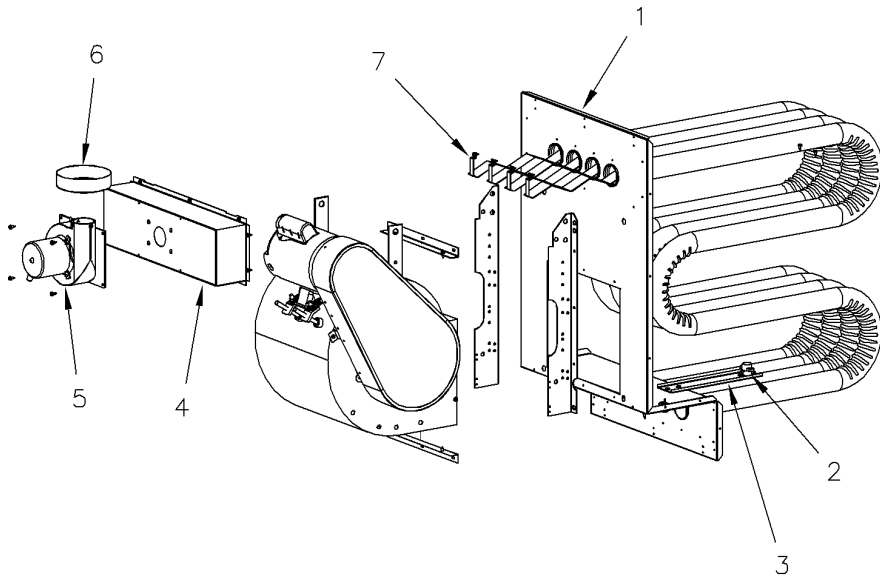
Model Number :GBNE015ATA10000

Part No.	Reference No.	Quantity	Description
75010408_GBNEUP1_219736~P	*		HEAT EXCHANGERS, FLU COLLECTOR, POWER VENTER & TURBULATORS PARTS LIST

HEAT EXCHANGER, FLU COLLECTOR
POWER VENTER & TURBULATORS

75010408

REV
A



TYPICAL ILLUSTRATION
* NOT ILLUSTRATED

Parts List Number :75010446#GBNEUP1

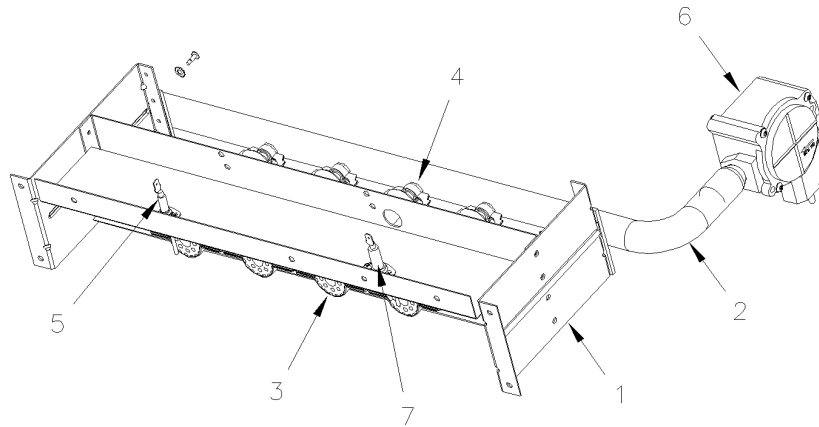
Model Number :GBNE015ATA10000

Part No.	Reference No.	Quantity	Description
EXC02541	1	1	EXCHANGER; VESTIBULE PANEL/TUBE ASSY, ALUMINIZED (HEAT EXCHANGER, INCLUDES TURBULATORS)
SWT01036	2	1	SWITCH; AUXILARY CONTROL, HIGH LIMIT, 60T23-203675, F170- 40, OPENS 130F, CLOSES 170F
BRK02536	3	1	BRACKET; HIGH LIMIT
FLU00219	4	1	FLUE; COLLECTOR BOX TF 150
BLW00679	5	1	BLOWER; DRAFTOR ASSEMBLY, FASCO
ADP00896	6	1	ADAPTER; ASM., FLUE COLLAR
TRB00229	7	6	TURBULATOR;

MANIFOLD BURNER ASSEMBLY

75010409

REV
A



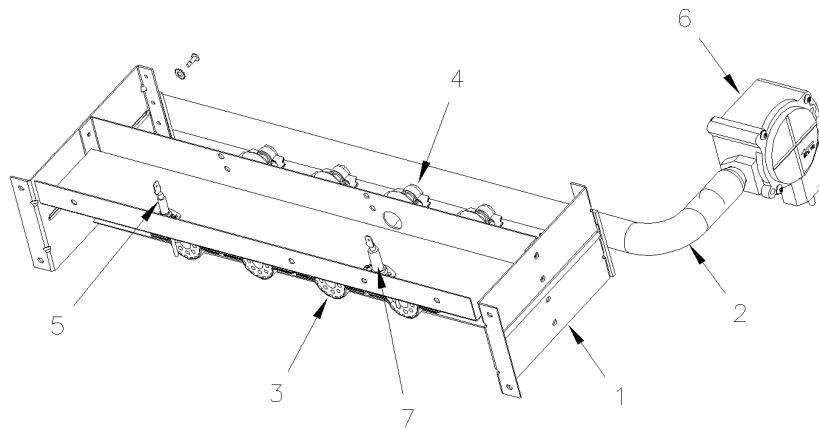
TYPICAL ILLUSTRATION
* NOT ILLUSTRATED

Part No.	Reference No.	Quantity	Description
75010409_GBNEUP1_228264~P	*		MANIFOLD BURNER ASSEMBLY PARTS LIST

MANIFOLD BURNER ASSEMBLY

75010409

REV
A



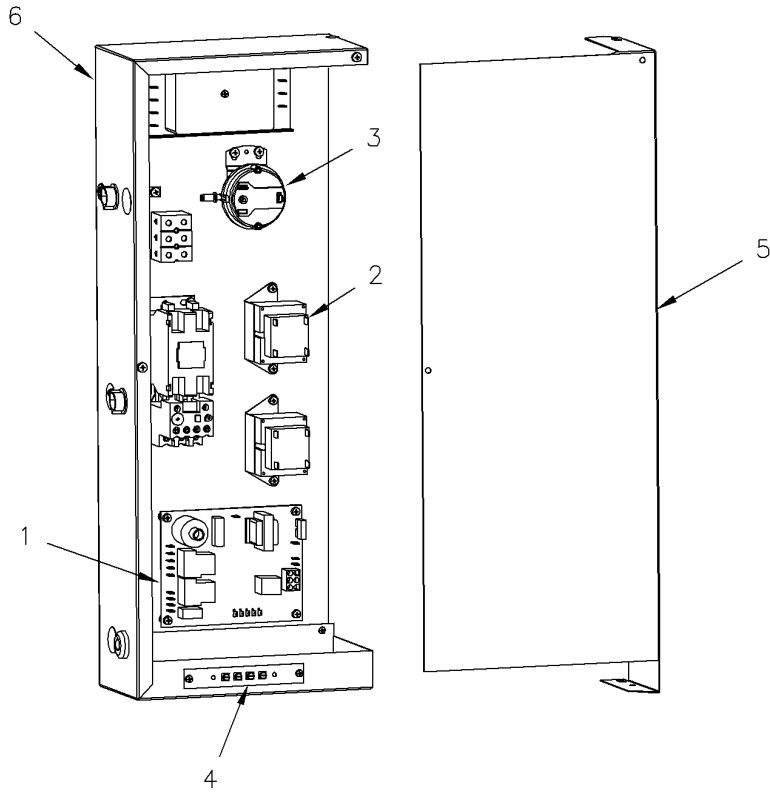
TYPICAL ILLUSTRATION
* NOT ILLUSTRATED

Part No.	Reference No.	Quantity	Description
BRK04426	1	1	BRACKET; MANIFOLD BRACKET SUB-ASSY
MFD00843	2	1	MANIFOLD;
BNR01034	3	6	BURNER;
ORF01748	4	6	ORIFICE; STANDARD ORIFICE, (NATURAL GAS)
SEN02145	5	1	SENSOR; FLAME SENSOR, DS, 1.500"
VAL08914	6	1	VALVE; SINGLE STAGE NATURAL GAS
CNT05013	7	1	CONTROL; SPARK IGNITOR

ELECTRICAL CONTROL BOX

75010410

REV
A



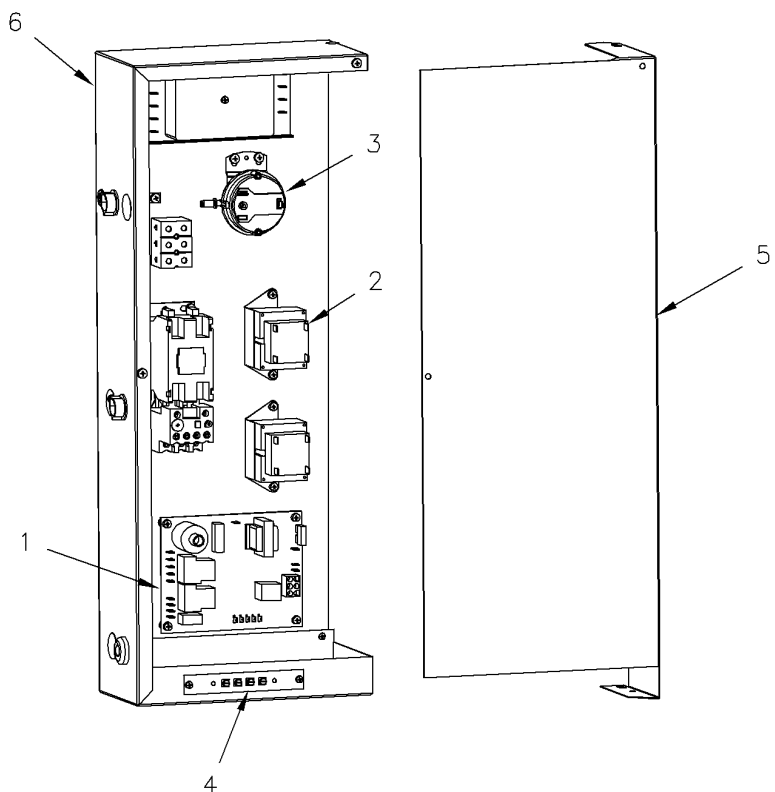
TYPICAL ILLUSTRATION
* NOT ILLUSTRATED

Part No.	Reference No.	Quantity	Description
75010410_GBNEUP1_219739~P	*		ELECTRICAL CONTROL BOX PARTS LIST

ELECTRICAL CONTROL BOX

75010410

REV
A



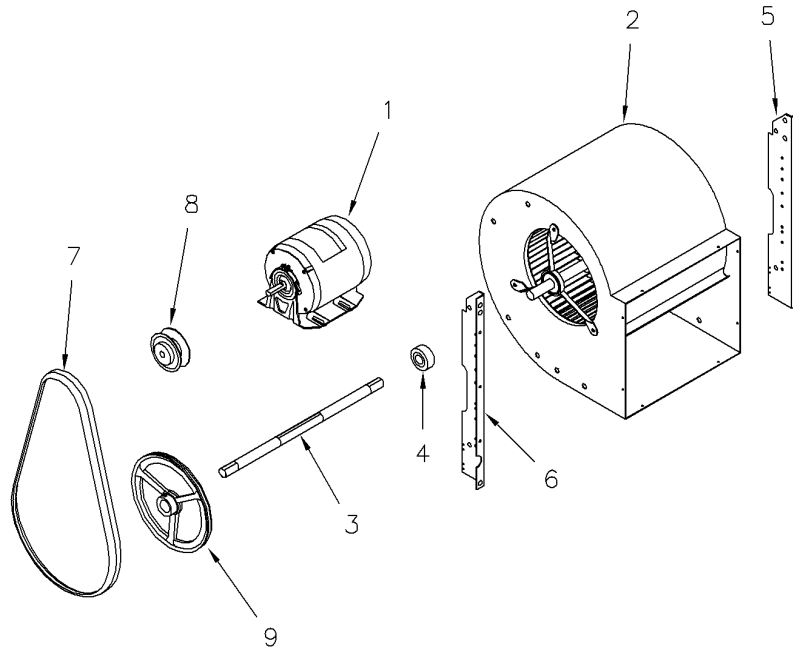
TYPICAL ILLUSTRATION
* NOT ILLUSTRATED

Part No.	Reference No.	Quantity	Description
TUB13640	*	6	TUBING; VINYL, (PRESSURE SWITCH)
BRD03396	1	1	BOARD; CONTROL
TRR01251	2	1	TRANSFORMER; 50VA, 120V PRI., 24V SEC
SWT03091	3	1	SWITCH; AIR PRESSURE-STD ALT.(0-4,999 FT.)
PLT05204	4	1	PLATE; TERMINAL BLOCK
COV04772	5	1	COVER; ELECTRICAL CONTROL BOX
CAS02028	6	1	CASING; ELECTRICAL CONTROL BOX BASE (WRAPPER)

BLOWER ASSEMBLY

75010443

REV
A



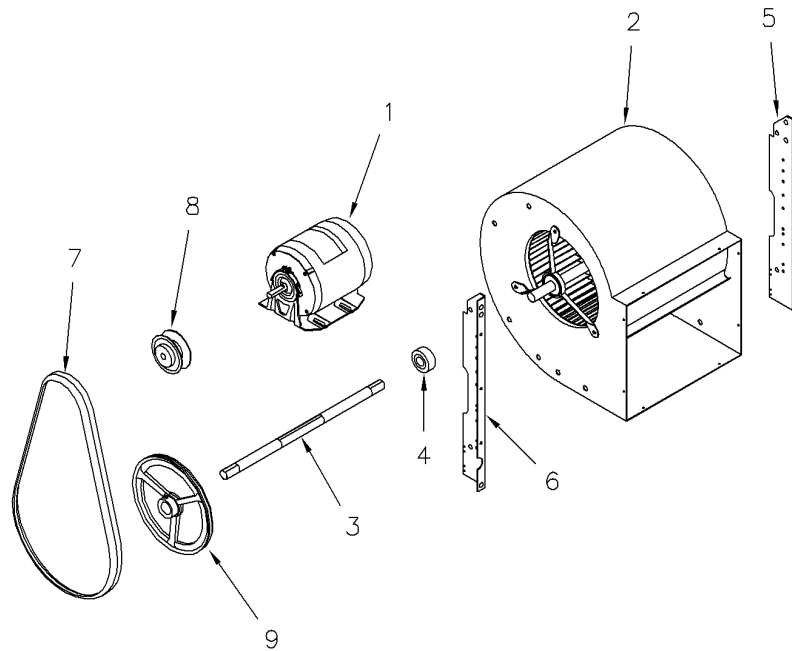
TYPICAL ILLUSTRATION
* NOT ILLUSTRATED

Part No.	Reference No.	Quantity	Description
75010443_GBNEUP1_219740~P	*		BLOWER ASSEMBLY PARTS LIST

BLOWER ASSEMBLY

75010443

REV
A



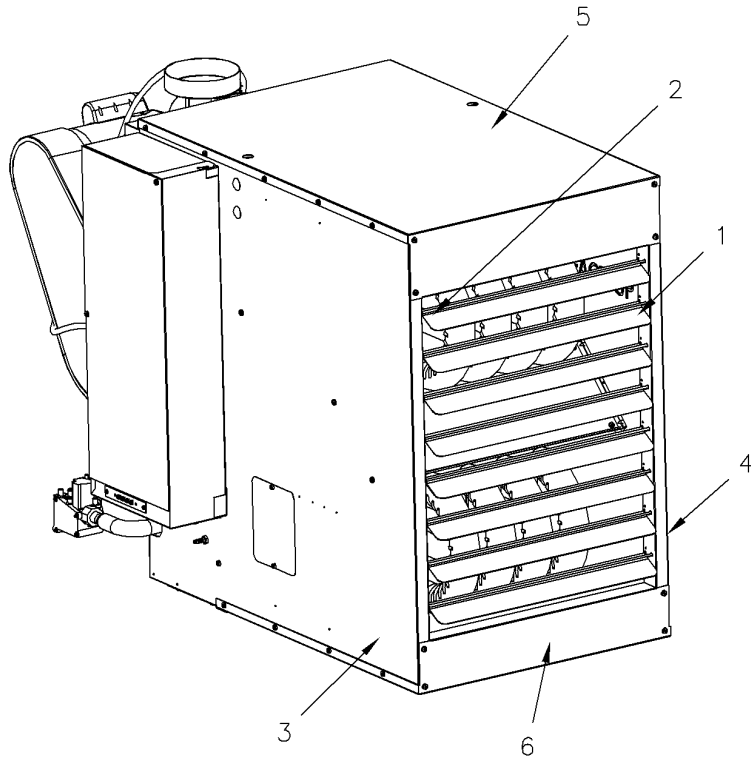
TYPICAL ILLUSTRATION
* NOT ILLUSTRATED

Part No.	Reference No.	Quantity	Description
GRD01260	*	1	GUARD; 10 INCH BLOWER GUARD ASSEMBLY
MOT02418	1	1	MOTOR, 1/2 HP, 115V, 1725 RPM, SPLIT PHASE, 56 NEMA FRAME
BLW00211	2	1	BLOWER; ASM COMPLETE: 1 HOUSING, 1 WHEEL, (2) 3 HP SPIDER BEARING BRACKETS
SHF00256	3	1	SHAFT;FAN
BRG02053	4	2	BEARING; MAIN (QTY REQD PER CAPACITY)
SUP05797	5	1	SUPPORT; BLOWER HOUSING (LH)
SUP05798	6	1	SUPPORT; BLOWER HOUSING (RH)
BLL01936	7	1	BELT; V-BELT (STANDARD)
SHE06369	8	1	SHEAVE; DRIVE PULLEY (STANDARD) - A.K.A. MOTOR SHEAVE
SHE06371	9	1	SHEAVE; DRIVEN PULLEY (STANDARD) - A.K.A. BLOWER PULLEY

PANELS & LOUVERS

75010444

REV
A



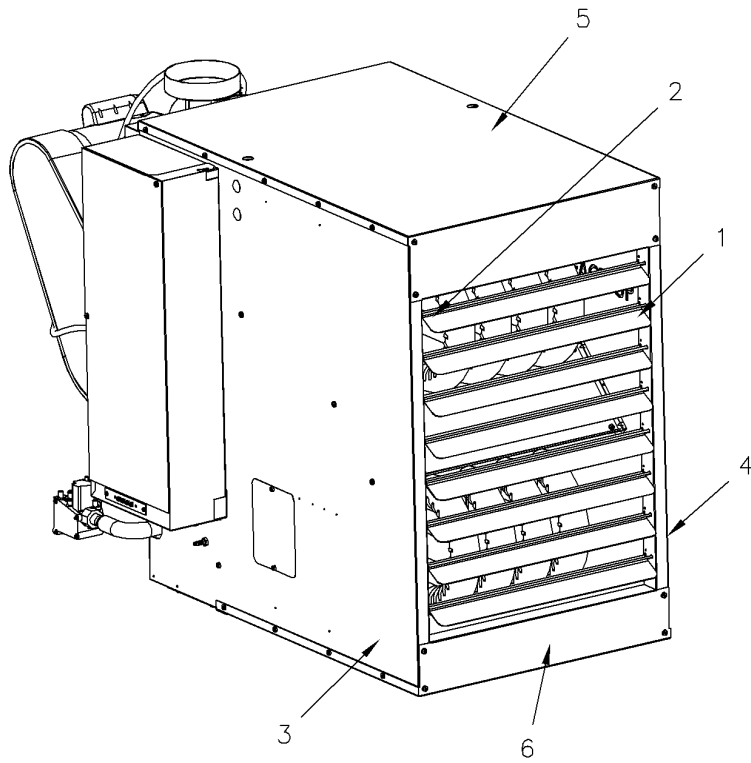
TYPICAL ILLUSTRATION
* NOT ILLUSTRATED

Part No.	Reference No.	Quantity	Description
75010444_GBNEUP1_139757~P	*		PANELS & LOUVERS PARTS LIST

PANELS & LOUVERS

75010444

REV
A



TYPICAL ILLUSTRATION
* NOT ILLUSTRATED

Part No.	Reference No.	Quantity	Description
CAB01185	*	1	CABLE; IGNITION-36 IN. LONG
CON01299	*	1	CONNECTOR; MOLEX ASSY(LEADS 19 IN LONG)
COV04769	*	1	COVER; BURNER PANEL (PEEP HOLE)
LVR00108	1	8	LOUVER;
SPG00194	2	8	SPRING; CONE, ADJUSTABLE LOUVERS FOR HORZ. AND VERT.(ORDER QTY EQUALS PIECES)
PNL30477	3	1	PANEL; RIGHT SIDE JACKET, W/ INSULATION
PNL30476	4	1	PANEL; LEFT SIDE JACKET, W/ INSULATION
PNL30900	5	1	PANEL; TOP JACKET PANEL W/ INSULATION
PNS00547	6	1	PANEL; BOTTOM

MAGNETIC STARTER PARTS

Parts List Number :75010446#GBNEUP1

Model Number :GBNE015ATA10000

Part No.	Reference No.	Quantity	Description
GBNE1000_GBNEUP1_189884~ P	*		MAGNETIC STARTER PARTS

NO GRAPHIC AVAILABLE

75013702

REV
A

**NO
GRAPHIC
AVAILABLE**

MAGNETIC STARTER PARTS

Parts List Number :75010446#GBNEUP1

Model Number :GBNE015ATA10000

Part No.	Reference No.	Quantity	Description
CTR02812	*	1	CONTACTOR;
OLD00751	*	1	OVERLOAD;

Part No.	Reference No.	Quantity	Description
GBNE1001_GBNEUP1_185922~ P	*		GAS CONTROL PARTS

NO GRAPHIC AVAILABLE

75013702

REV
A

**NO
GRAPHIC
AVAILABLE**

Parts List Number :75010446#GBNEUP1

Model Number :GBNE015ATA10000

Part No.	Reference No.	Quantity	Description
TRR02276	*	1	TRANSFORMER; 4000-01E07
VAL02329	*	1	VALVE;MAXITROL SYSTEM MR, 510, 3/4 NATURAL GAS

TC SERIES 100-400 MBH REPLACEMENT PARTS			
FIELD/FACTORY INSTALLED AND OPTIONAL ACCESSORIES			Rev
			A
		75010445	
Balloon #:	FIELD INSTALLED OPTIONS AND THERMOSTATS		
	DESCRIPTION [ACCESSORY OPTION NO.]	Mne #:	
1	PRESSURE REGULATOR (0.5 to 10 PSI) NATURAL GAS [A7-1/2-1]	REG00599	
2	PRESSURE REGULATOR (10 to 20 PSI) NATURAL GAS [A7-3/8-1]	REG00600	
3	PRESSURE REGULATOR (20 to 35 PSI) NATURAL GAS [A7-5/16-1]	REG00601	
4	T87K 1-STAGE THERMOSTAT, WITH SUBBASE [G1] *	THT03087	
5	T834N 1-STAGE W/ FAN SWITCH THERMOSTAT (STERLING LOGO) [G3] *	THT03088	
6	TH5220D 2-STAGE THERMOSTAT, WITH SUBBASE [G5] *	THT02244	
7	T6169C 1-STAGE LINE VOLTAGE (115V) THERMOSTAT, WITH SUBBASE [G8]	THT02339	
8	T822K 1-STAGE THERMOSTAT [G9] *	THT03089	
9	TG511A UNIVERSAL THERMOSTAT GUARD/LOCKING COVER [G6]	GRD00334	
10	24V SPST RELAY [P5]	RLY00871	
11	VENT CAP 5" (100- 250) [M2-2]	CAP00549	
12	VENT CAP 6" (300-400) [M2-3]	CAP00550	
13	30 DEGREE NOZZLE KIT (100-150) [X2-001]	KIT15040	
14	30 DEGREE NOZZLE KIT (175-250) [X2-002]	KIT15049	
15	30 DEGREE NOZZLE KIT (300-400) [X2-003]	KIT15050	
16	60 DEGREE NOZZLE KIT (100-150) [X3-001]	KIT15051	
17	60 DEGREE NOZZLE KIT (175-250) [X3-002]	KIT15052	
18	60 DEGREE NOZZLE KIT (300-400) [X3-003]	KIT14715	
19	90 DEGREE NOZZLE KIT (100-150) [X4-001]	KIT15034	
20	90 DEGREE NOZZLE KIT (175-250) [X4-002]	KIT07654	
21	90 DEGREE NOZZLE KIT (300-400) [X4-003]	KIT14716	
22	VERTICAL LOUVER KIT (TC 100-150) [X5-004]	KIT16206	
23	VERTICAL LOUVER KIT (TC 175-250) [X5-007]	KIT16789	
24	VERTICAL LOUVER KIT (TC 300-400) [X5-012]	KIT16790	
25	TOUCH UP PAINT, 12oz. SPRAY CAN (DARK GRAY)	PAI00087	
	HIGH TEMP (RTV) SEALANT - 2.8oz. TUBE		
	* Mercury Free		
	FACTORY INSTALLED OPTIONS		
	DESCRIPTION [ACCESSORY OPTION NO.]		
26	SUMMER/WINTER SWITCH [P6]	SWT00479	
27	DISCHARGE DUCT FLANGE ASS'Y 100-150 [M8]	FLG01347	
28	DISCHARGE DUCT FLANGE ASS'Y 175-250 [M8]	FLG01348	
29	DISCHARGE DUCT FLANGE ASS'Y 300-400 [M8]	FLG01349	

Parts List Number :75010446#GBNEUP1

Model Number :GBNE015ATA10000

Part No.	Reference No.	Quantity	Description
75010445_GBNEUP1_139758~P	*		FACTORY & FIELD INSTALLED OPTIONS, KITS & ADDITIONAL GBNE & GBPE PARTS

TC SERIES 100-400 MBH REPLACEMENT PARTS			
FIELD/FACTORY INSTALLED AND OPTIONAL ACCESSORIES			Rev
			A
		75010445	
Balloon #:	FIELD INSTALLED OPTIONS AND THERMOSTATS		
	DESCRIPTION [ACCESSORY OPTION NO.]	Mne #:	
1	PRESSURE REGULATOR (0.5 to 10 PSI) NATURAL GAS [A7-1/2-1]	REG00599	
2	PRESSURE REGULATOR (10 to 20 PSI) NATURAL GAS [A7-3/8-1]	REG00600	
3	PRESSURE REGULATOR (20 to 35 PSI) NATURAL GAS [A7-5/16-1]	REG00601	
4	T87K 1-STAGE THERMOSTAT, WITH SUBBASE [G1] *	THT03087	
5	T834N 1-STAGE W/ FAN SWITCH THERMOSTAT (STERLING LOGO) [G3] *	THT03088	
6	TH5220D 2-STAGE THERMOSTAT, WITH SUBBASE [G5] *	THT02244	
7	T6169C 1-STAGE LINE VOLTAGE (115V) THERMOSTAT, WITH SUBBASE [G8]	THT02339	
8	T822K 1-STAGE THERMOSTAT [G9] *	THT03089	
9	TG511A UNIVERSAL THERMOSTAT GUARD/LOCKING COVER [G6]	GRD00334	
10	24V SPST RELAY [P5]	RLY00871	
11	VENT CAP 5" (100- 250) [M2-2]	CAP00549	
12	VENT CAP 6" (300-400) [M2-3]	CAP00550	
13	30 DEGREE NOZZLE KIT (100-150) [X2-001]	KIT15040	
14	30 DEGREE NOZZLE KIT (175-250) [X2-002]	KIT15049	
15	30 DEGREE NOZZLE KIT (300-400) [X2-003]	KIT15050	
16	60 DEGREE NOZZLE KIT (100-150) [X3-001]	KIT15051	
17	60 DEGREE NOZZLE KIT (175-250) [X3-002]	KIT15052	
18	60 DEGREE NOZZLE KIT (300-400) [X3-003]	KIT14715	
19	90 DEGREE NOZZLE KIT (100-150) [X4-001]	KIT15034	
20	90 DEGREE NOZZLE KIT (175-250) [X4-002]	KIT07654	
21	90 DEGREE NOZZLE KIT (300-400) [X4-003]	KIT14716	
22	VERTICAL LOUVER KIT (TC 100-150) [X5-004]	KIT16206	
23	VERTICAL LOUVER KIT (TC 175-250) [X5-007]	KIT16789	
24	VERTICAL LOUVER KIT (TC 300-400) [X5-012]	KIT16790	
25	TOUCH UP PAINT, 12oz. SPRAY CAN (DARK GRAY)	PAI00087	
	HIGH TEMP (RTV) SEALANT - 2.8oz. TUBE		
	* Mercury Free		
	FACTORY INSTALLED OPTIONS		
	DESCRIPTION [ACCESSORY OPTION NO.]		
26	SUMMER/WINTER SWITCH [P6]	SWT00479	
27	DISCHARGE DUCT FLANGE ASS'Y 100-150 [M8]	FLG01347	
28	DISCHARGE DUCT FLANGE ASS'Y 175-250 [M8]	FLG01348	
29	DISCHARGE DUCT FLANGE ASS'Y 300-400 [M8]	FLG01349	

Parts List Number :75010446#GBNEUP1

Model Number :GBNE015ATA10000

Part No.	Reference No.	Quantity	Description
KIT14778	*	1	KIT; FROM NATURAL GAS(NG) TO PROPANE(LP)
KIT14779	*	1	KIT; FROM PROPANE(LP) TO NATURAL GAS(NG)
TRR00923	*	1	TRANSFORMER; 500VA, 240-480/120-240V
TRR00924	*	1	TRANSFORMER; 500VA, 600/120-240V
TRR01505	*	1	TRANSFORMER; 50VA, 120V PRI., 24V SEC., FOOT MOUNTED, CLASS 2
TRR01740	*	1	TRANSFORMER; 230-24V, 50VA, 2A
TRR01840	*	1	TRANSFORMER; 208/115, 500VA (STEP DOWN)
REG00599	1	1	REGULATOR; PRESSURE, (0.5 TO 10 PSI) NATURAL GAS [A7-1/2-1]
REG00600	2	1	REGULATOR; PRESSURE, (10 TO 20 PSI) NATURAL GAS [A7-3/8-1]
REG00601	3	1	REGULATOR; PRESSURE, (20 TO 35 PSI) NATURAL GAS [A7-5/16-1]
THT03087	4	1	T87K 1-STAGE THERMOSTAT, WITH SUBBASE [G1] *
THT03088	5	1	T834N 1-STAGE W/ FAN SWITCH THERMOSTAT (STERLING LOGO) [G3] *
THT02244	6	1	THERMOSTAT; TWO-STAGE ROOM
THT02339	7	1	THERMOSTAT; LIGHT DUTY COMBINATION THERMOSTAT AND SUBBASE,
THT03089	8	1	T822K 1-STAGE THERMOSTAT [G9] *
GRD00334	9	1	GUARD; THERMOSTAT (LOCKING COVER)
RLY00871	10	1	RELAY; SPST, 24 VAC COIL
CAP00549	11	1	CAP; 5 INCH VENT
CAP00550	12	1	CAP; VENT 6 INCH
KIT15040	13	1	NOZZLE; 30 DEGREE DOWNWARD NOZZLE KIT FOR 100 AND 150 MBH MODELS GH,GA,GB AND GK ONLY TUBULAR GAS UNIT HEATERS
KIT15049	14	1	NOZZLE; 30 DEGREE DOWNWARD NOZZLE FOR 175 AND 250 MBH GH, GA, GB AND GK ONLY TUBULAR GAS UNIT HEATERS
KIT15050	15	1	NOZZLE ;30 DEGREE DOWNWARD NOZZLE FOR 300-400 MBH GH, GA, GB AND GK ONLY TUBULAR GAS UNIT HEATER
KIT15051	16	1	NOZZLE ; 60 DEGREE DOWNWARD NOZZLE FOR 175-250 MBH GH, GA, GB, AND GK ONLY TUBULAR GAS UNIT HEATER
KIT15052	17	1	NOZZLE; RPL 60 DEG NOZ KIT TUB 100-150
KIT14715	18	1	NOZZLE ; 60 DEGREE DOWNWARD NOZZLE FOR 300-400 MBH GH, GA, GB, AND GK ONLY TUBULAR GAS UNIT HEATER
KIT15034	19	1	NOZZLE ; 90 DEGREE NOZZLE(100-150) FOR GH, GA, GB AND GK ONLY TUBULAR GAS UNIT HEATERS
KIT07654	20	1	NOZZLE ; 90 DEGREE NOZZLE(175-250) FOR GH, GA, GB AND GK ONLY TUBULAR GAS UNIT HEATERS
KIT14716	21	1	NOZZLE; 90 DEGREE NOZZLE(300-400) FOR GH, GA, GB AND GK ONLY TUBULAR GAS UNIT HEATERS
KIT16206	22	1	KIT; VRT LVR KIT TUB100/150 LT
KIT16789	23	1	KIT; VERTICAL LOUVER (TC 175-250) [X5-007]
KIT16790	24	1	KIT; VERTICAL LOUVER (TC 300-400) [X5-012]
PAI00087	25	1	PAINT; AEROSOL, LT.GRAY (SHIPPING UOM 12 OZ HAZ)
SWT00479	26	1	SWITCH, TOGGLE, SUMMER/WINTER
FLG01347	27	1	FLANGE; DUCT FLANGE KIT SIZE 010-015
FLG01348	28	1	FLANGE; DUCT FLANGE KIT SIZE 017-025
FLG01349	29	1	FLANGE; DUCT FLANGE KIT SIZE 030040