

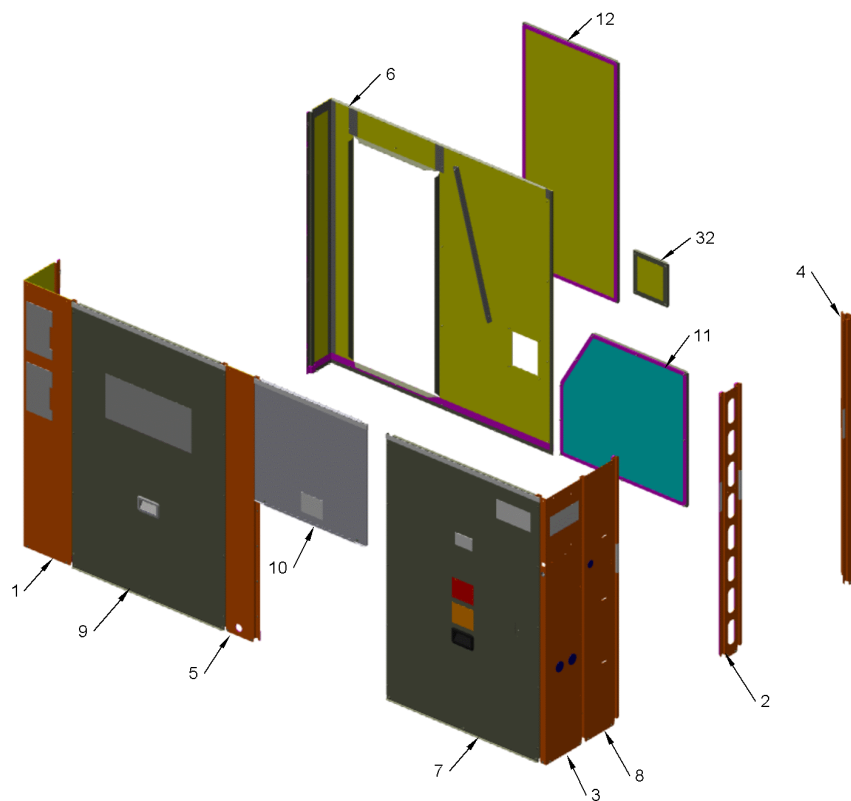
Part No.	Reference No.	Quantity	Description
75010426	SEC 01		MODEL NUMBER DESCRIPTION
75012856	SEC 02		END PANEL, NO ECONOMIZER
75010428	SEC 02		EXTERIOR PANELS
75012837	SEC 02		GAS HEAT CASING
75012855	SEC 02		TOP PANEL
75010429	SEC 03		OUTDOOR COILS
75010431	SEC 05		INDOOR COIL FILTERS
75010432	SEC 06		INDOOR COIL
75010433	SEC 07		GAS HEAT ASSEMBLY
75010434	SEC 08		GAS HEAT BLOWER
75010435	SEC 09		GAS HEAT BURNERS
75010436	SEC 10		GAS BURNER MANIFOLD
75010438	SEC 12		INDOOR FAN ASSEMBLY
75010439	SEC 13		OUTDOOR FAN ASSEMBLY
75012840	SEC 14		COMPRESSORS AND CRANKCASE HEATERS
75012844	SEC 15		COMPRESSOR MANIFOLD PIPING AND CONTROLS
75012846	SEC 15		TXVS AND INTERCONNECTING TUBING
75012847	SEC 23		COMPRESSOR POWER HARNESSSES AND CONTACTORS CC1, CC2
75012848	SEC 24		CONTROL PANEL

MODEL NUMBER DESCRIPTION		75010426	REV C
FOUNDATION			
Digit 1 Unit Type G= Gas Heat E= Cooling	Digit 2 Efficiency A= Standard	Digit 3 Airflow C= Convertible D= Downflow	Digit 14 Fresh Air Selection 0= No Fresh Air A= Manual damper B= Motorized OA 0-50% C= Economizer Dry Bulb w/o barometric relief D= Econ Dry Bulb w/ barometric relief E= Econ Reference Enthaply without barometric relief F= Econ Reference Enthaply with barometric relief G= Econ Comparative Enthaply without barometric relief H= Econ Comparative Enthaply with barometric relief J= Low Leak Econ Dry Bulb without barometric relief L= Low Leak Econ Reference Enthaply without barometric relief N= Low Leak Econ Comparative Enthaply without barometric relief
Digit 4,5,6 Unit Tonnage 036= 3 Ton 120= 10 Ton 048= 4 Ton 150= 12.5 Ton 060= 5 Ton 180= 15 Ton 072= 6 Ton 210= 17.5 Ton 090= 7.5 Ton 240= 20 Ton 102= 8.5 Ton 300= 25 Ton 270= 22 Ton	Digit 7 Major Design Sequence A= R-410a	Digit 8 Voltage Selection 3= 208-230/60/3 4= 460/60/3 W= 575/60/3 K= 380/60/3 D= 380/50/3	Digit 15 Supply Fan/Drive Type/Motor 0= Standard Drive 1= Oversized Motor 7= Two Speed Standard 9= Two Speed Oversized
Digit 9 Unit Controls E= Electro-mechanical	Digit 10 Heating Capacity 0= No Heat B= 6 kW electric heat C= 9 kW electric heat E= 12 kW electric heat G= 18 kW electric heat J= 23 kW electric heat K= 27 kW electric heat N= 36 kW electric heat P= 54 kW electric heat R= 72 kW electric heat H= Gas Heat - High L= Gas Heat - Low M= Gas Heat - Medium X= Gas Heat - SS Ht Ex - Low Y= Gas Heat - SS Ht Ex- Med Z= Gas Heat - SS Ht Ex - High	Digit 16 Hinged Service Access / Filters 0= Standard panels/standard filters	Digit 17 Condenser Coil Protection 0= Standard coil 4= ECoated Coil
Digit 11 Minor Design Sequence A= Minor Des. Seq.	Digit 12,13 Service Sequence 00= None	Digit 18 Through The Base Provisions 0= No through the base provisions A= Through the base electric B= Through the base gas C= Through the base electric/gas	Digit 19 Disconnect Switch/Circuit Breaker 0= None 1= Unit Mount Non-Fused Disconnect Switch
		Digit 20-24 0= None	Digit 25 System Monitoring Controls 0= None A= Condensate Drainpan Overflow Switch
			Digit 26 System Monitoring Controls 0= No Monitoring Controls B= Fault Detection Device
			Digit 27-40 0= None

EXTERIOR PANELS

75010428

REV
C



This is a typical illustration. The unit in the field may not appear exactly as shown.

Part No.	Reference No.	Quantity	Description
SUP05864	1	1	SUPPORT; POST, I.D. CORNER
SUP05865	2	1	SUPPORT; POST REAR CENTER
SUP05869	3	1	SUPPORT; POST, OD CORNER
SUP05870	4	1	SUPPORT; CORNER, OD, REAR
SUP05871	5	1	SUPPORT; POST CENTER, FRONT ID COIL
PNL35341	6	1	PANEL; LEFT BACK
PNL31700	7	1	PANEL; ACCESS PANEL
PNL31701	8	1	PANEL; OD COIL MOUNTING
PNL31698	9	1	PANEL; FILTER ACCESS, 53 X 36
PNL31702	10	1	PANEL; ID MOTOR ASSESS
PNL31703	11	1	PANEL; HZ SUPPLY COVER
PNL31704	12	1	PANEL; HZ RETURN DUCT COVER
PNL35342	32	1	PANEL; ASSEMBLY COVER; HZ RETURN OPENING

GAS HEAT CASING

75012837

REV.
A



This is a typical illustration. The unit in the field may not appear exactly as shown.

Part No.	Reference No.	Quantity	Description
PNL34628	1	1	PANEL; ASSEMBLY; SUPPLY PANEL
BAF01404	2	1	BAFFLE; GAS HEAT
COV05059	3	1	COVER; GAS HEAT VENT HOOD, 10 X 8 INCHES
PNL31707	4	1	PANEL; GAS HEAT ACCESS 300-420MBH
SUP05867	5	1	SUPPORT; ID FRONT, GH 320MBH-400MBH
TER01631	6	1	TERMINAL STRIP, 3P, 30A 600V

TOP PANEL

75012855

REV.
A



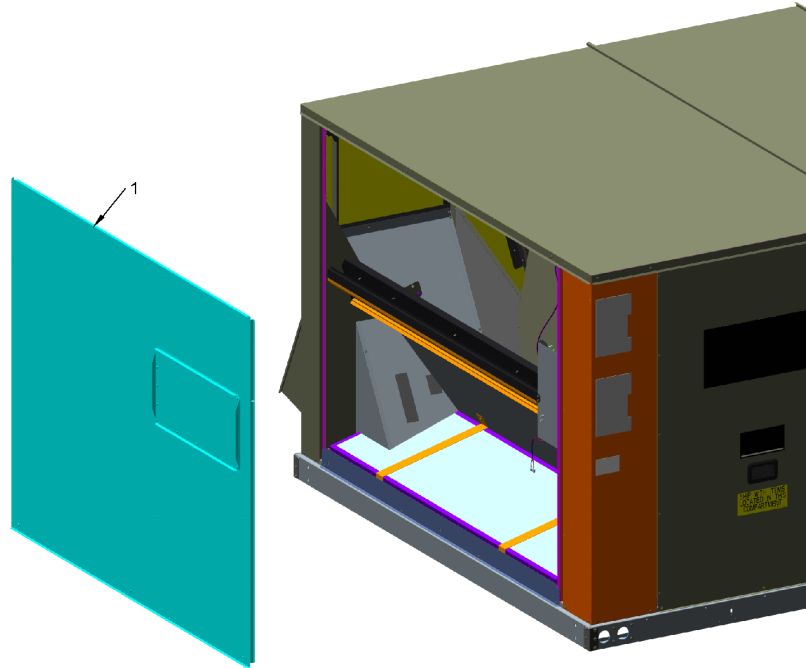
This is a typical illustration. The unit in the field may not appear exactly as shown.

Part No.	Reference No.	Quantity	Description
PNL30271	1	1	PANEL; TOP COVER ASSEMBLY

END PANEL
NO ECONOMIZER

75012856

REV.
A



This is a typical illustration. The unit in the field may not appear exactly as shown.

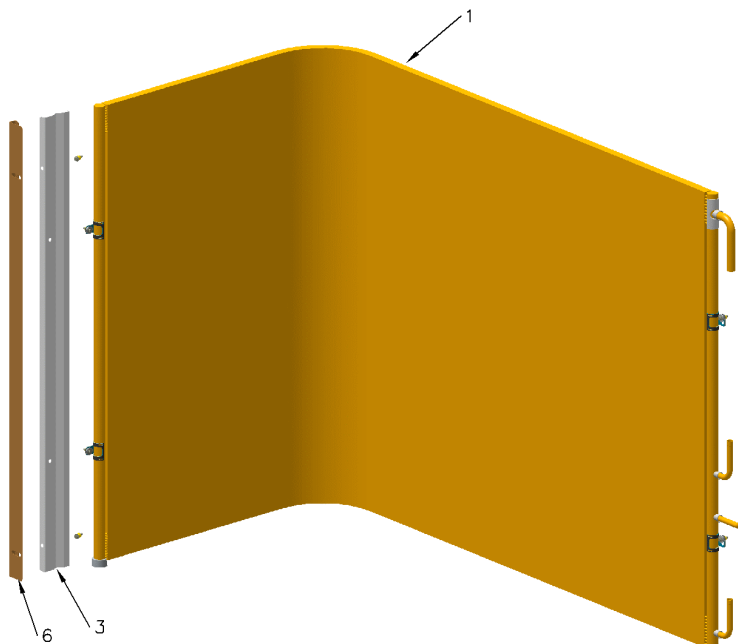
Part No.	Reference No.	Quantity	Description
PNL31953	1	1	PANEL; SUPPORT, ECONOMIZER

OUTDOOR COIL

75010429

REV
A

TYPICAL ILLUSTRATION



OUTDOOR COILS

Parts List Number :GACUP1

Model Number :GBC210A3EHA0000

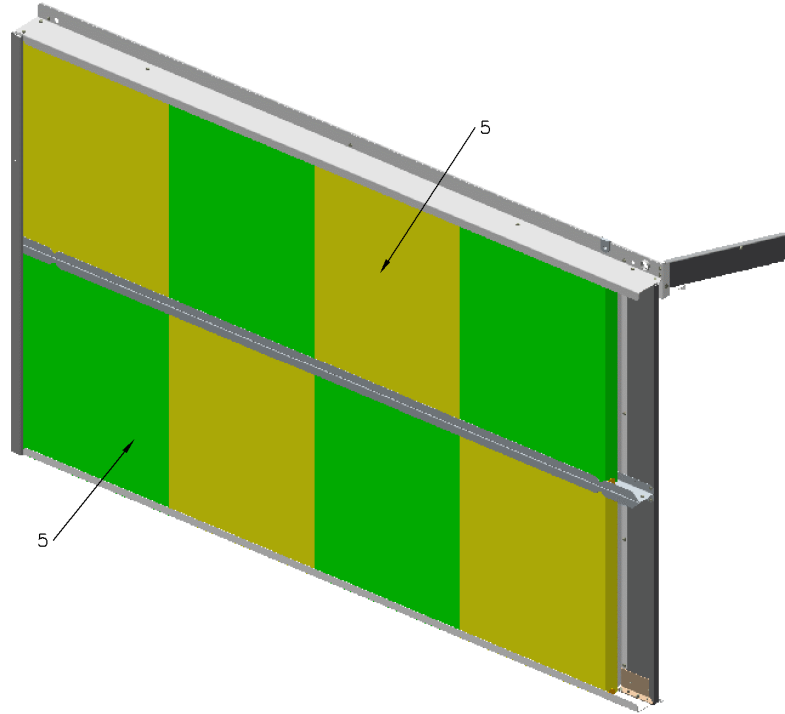
Part No.	Reference No.	Quantity	Description
BRK04431	3	1	BRACKET, COIL RETAINER REAR
BRK03496	6	1	BRACKET; COIL REAR

INDOOR COIL FILTERS

75010431

REV
A

TYPICAL ILLUSTRATION



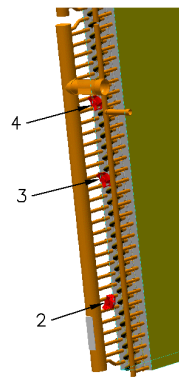
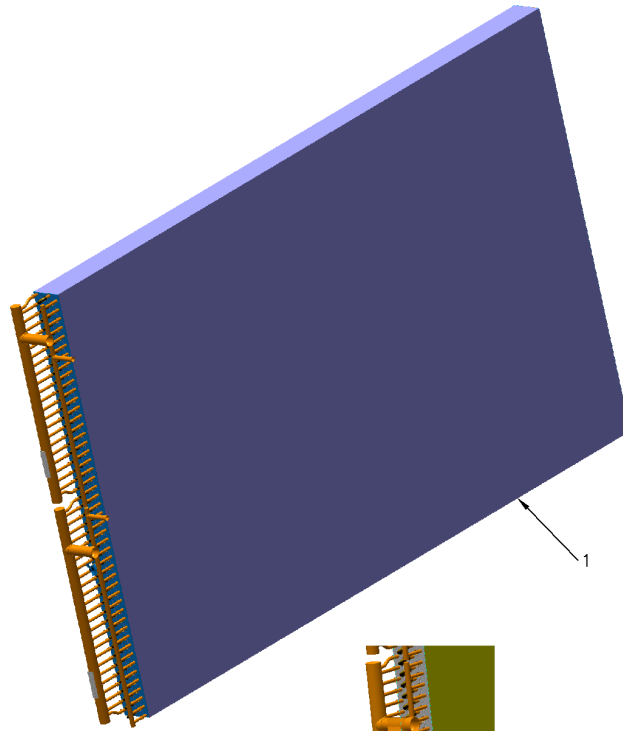
Part No.	Reference No.	Quantity	Description
FLR00063	5	8	FILTER; 20X25X2

INDOOR COIL

75010432

REV
A

TYPICAL ILLUSTRATION



Frostat
Location

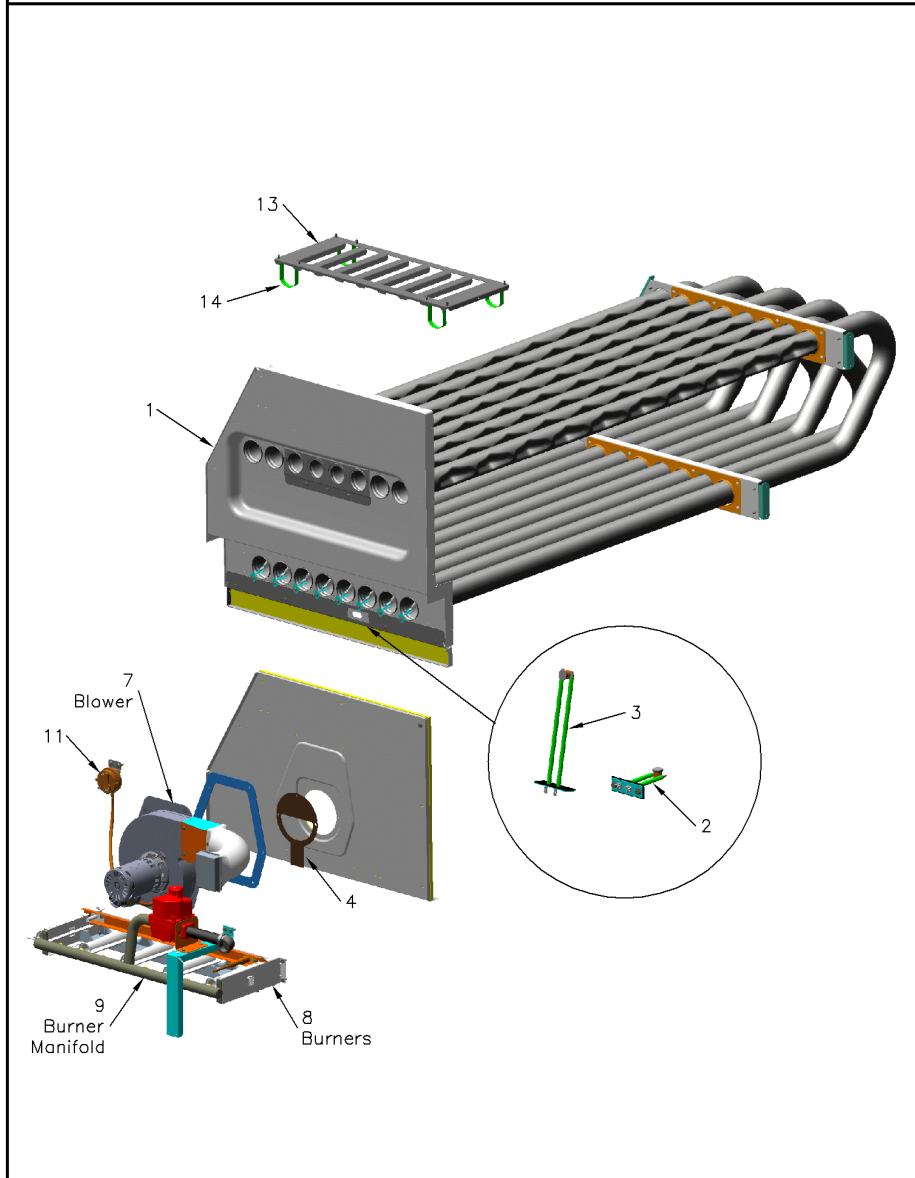
Part No.	Reference No.	Quantity	Description
PAN03448	*	1	PAN; DRAINPAN
COL28233	1	1	COIL; ASSEMBLY, ID, 15, 17.5 & 20 T

GAS HEAT ASSEMBLY

75010433

REV
A

TYPICAL ILLUSTRATION



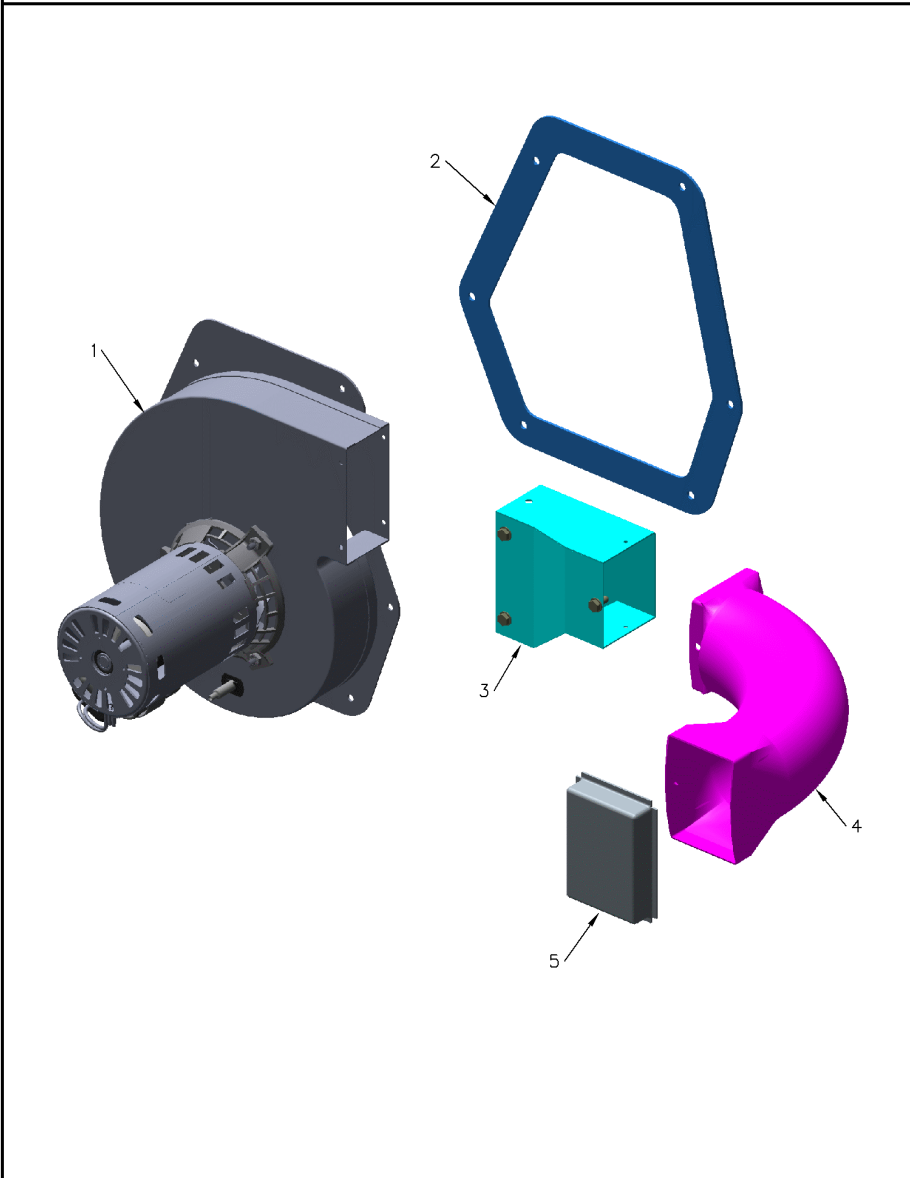
Part No.	Reference No.	Quantity	Description
EXC02573	1	1	EXCHANGER; COLLECTOR PLATE AND TUBE, 400 MBH
CNT07188	2	1	CONTROL, TEMPERATURE; HI-LIMIT, 140F OP/110F CL, YELLOW
SWT04195	3	1	SWITCH; CONTROL, TEMPERATURE; HI-LIMIT, 275F OP/245F CL
ORF01744	4	1	ORIFICE; COMBUSTION AIR, 400 MBH
75010434	7		GAS HEAT BLOWER
75010435	8		GAS HEAT BURNERS
75010436	9		BURNER MANIFOLD
CNT03666	11	1	CONTROL; DIFFERENTIAL PRESSURE SWITCH, ROTATED 180 DEG, SPST, SNAP ACTING CONTACTS, NO, 5 AMP RESISTIVE AT 24 VAC

GAS HEAT BLOWER

75010434

REV
A

TYPICAL ILLUSTRATION



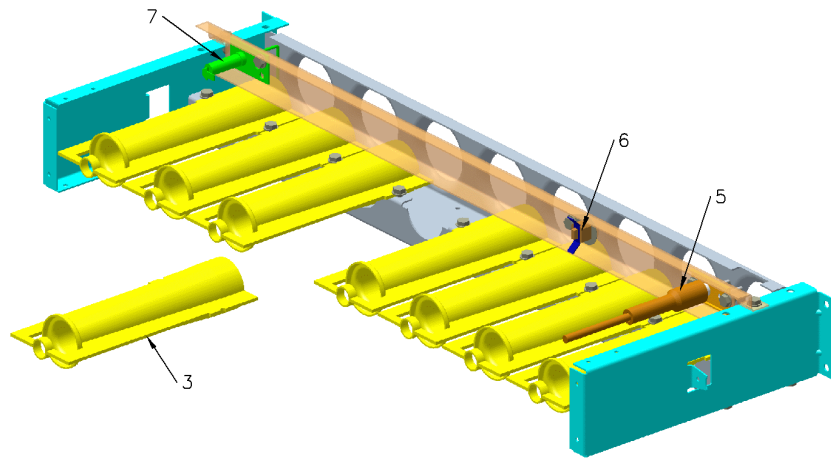
Part No.	Reference No.	Quantity	Description
BLW01335	1	1	BLOWER; FAN, 2 SPEED INDUCER, 400 MBH, THE GROUND WIRE MAY OR MAY NOT BE INCLUDED. THE USE OF A GROUND WIRE IS NOT REQUIRED BY UL
GKT04677	2	1	GASKET; COMBUSTION BLOWER, LARGE
DUC01040	4	1	DUCT; FLUE EXHAUST, ALUMINUM COATED WELDED STEEL TUBING
SRN00850	5	1	SCREEN, EXHAUST, STAINLESS STEEL WIRE MESH, 3.47 X 2.50

GAS HEAT BURNERS

75010435

REV
A

TYPICAL ILLUSTRATION



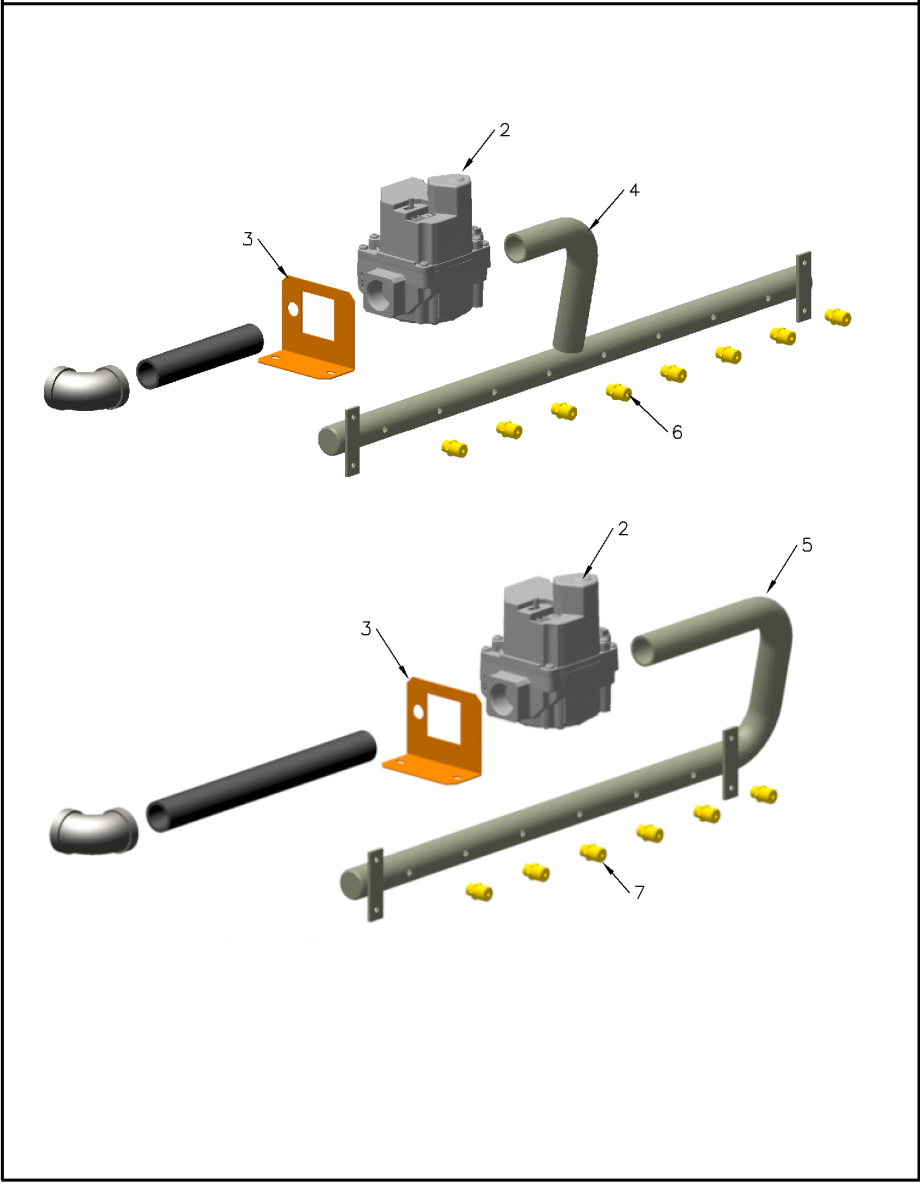
Part No.	Reference No.	Quantity	Description
BNR01070	3	8	BURNER; .70 ID INSHOT BURNER, .036 THK 304 STAINLESS STEEL
MFD01367	4	1	MANIFOLD; ASSY WITH BRACKET, 8 TUBE
IGN00267	5	1	IGNITOR, 53 INCH LEAD
ORF01743	6	8	ORIFICE; 3.4MM DIA
SWT02649	6	1	SWITCH; FLAME ROLLOUT, 240F, OPENS ON TEMP RISE, MANUAL RESET, SPST, 25A/240V QC TERMINAL
SEN00297	7	1	SENSOR; FLAME

GAS BURNER MANIFOLD

75010436

REV
A

TYPICAL ILLUSTRATIONS



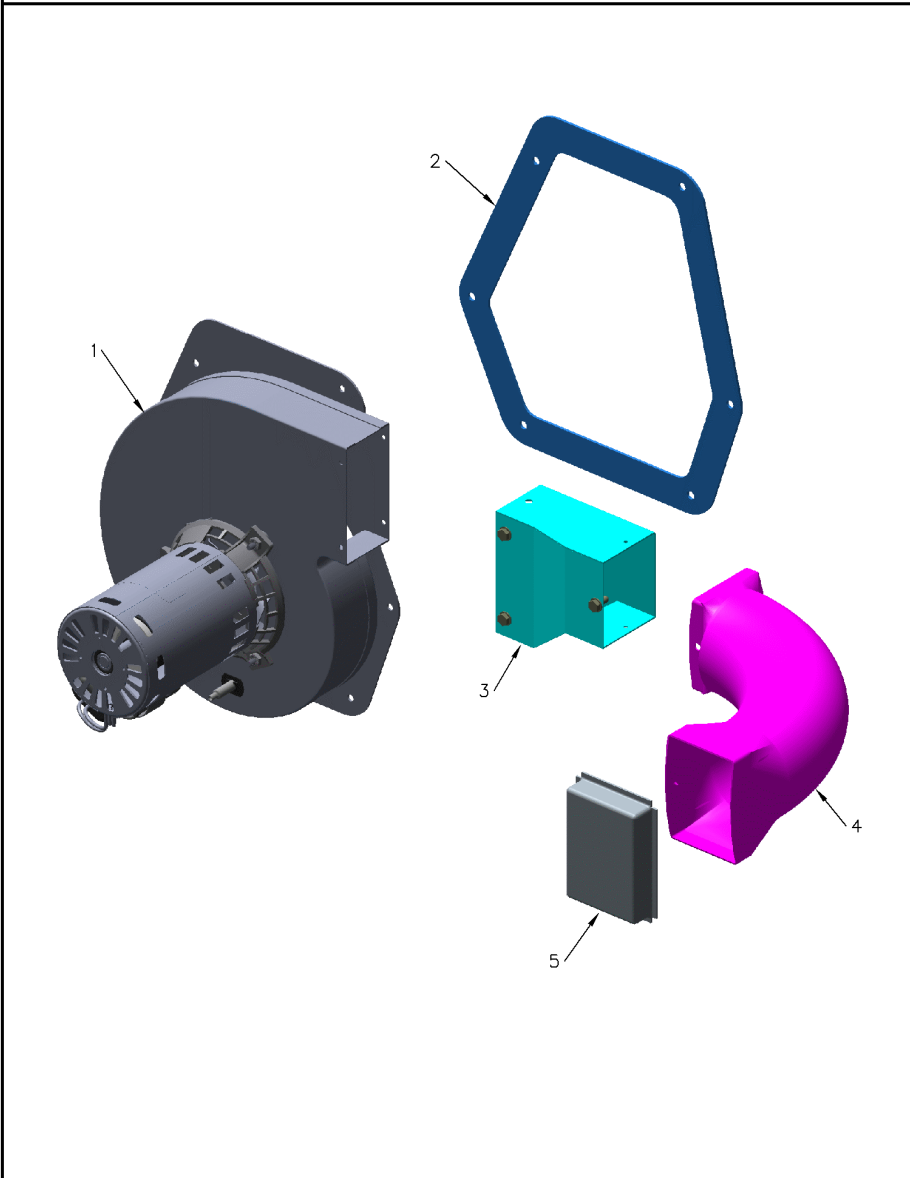
Part No.	Reference No.	Quantity	Description
VAL08750	2	1	VALVE; GAS, NATURAL, 2 STAGE, 24 VAC, 50/60 HZ, .4 AMP REDUNDANT, INLET OUTLET 3/4 X 3/4-14 NPT, MAX OP PRESSURE .5 PSIG
BRK04442	3	1	BRACKET, GAS VALVE CLAMP

GAS HEAT BLOWER

75010434

REV
A

TYPICAL ILLUSTRATION



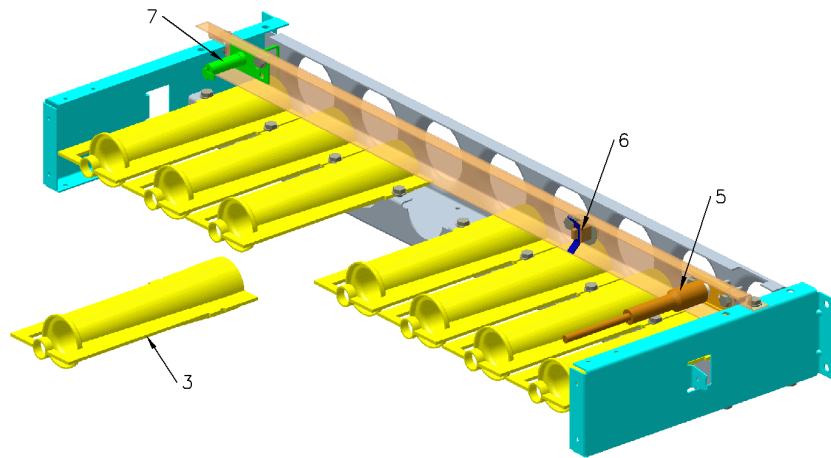
Part No.	Reference No.	Quantity	Description
BLW01335	1	1	BLOWER; FAN, 2 SPEED INDUCER, 400 MBH, THE GROUND WIRE MAY OR MAY NOT BE INCLUDED. THE USE OF A GROUND WIRE IS NOT REQUIRED BY UL
GKT04677	2	1	GASKET; COMBUSTION BLOWER, LARGE
DUC01040	4	1	DUCT; FLUE EXHAUST, ALUMINUM COATED WELDED STEEL TUBING
SRN00850	5	1	SCREEN, EXHAUST, STAINLESS STEEL WIRE MESH, 3.47 X 2.50

GAS HEAT BURNERS

75010435

REV
A

TYPICAL ILLUSTRATION



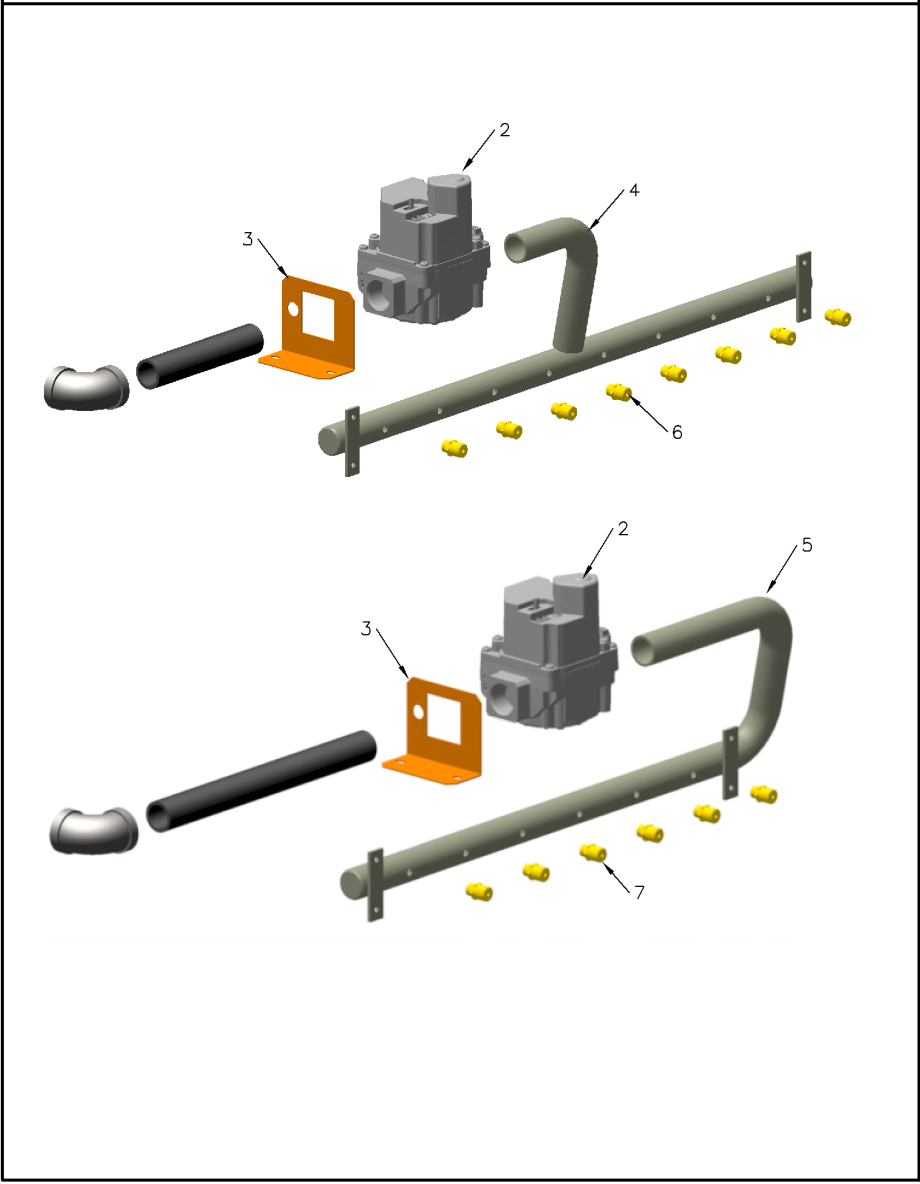
Part No.	Reference No.	Quantity	Description
BNR01070	3	8	BURNER; .70 ID INSHOT BURNER, .036 THK 304 STAINLESS STEEL
MFD01367	4	1	MANIFOLD; ASSY WITH BRACKET, 8 TUBE
IGN00267	5	1	IGNITOR; 53 INCH LEAD
ORF01743	6	8	ORIFICE; 3.4MM DIA
SWT02649	6	1	SWITCH; FLAME ROLLOUT, 240F, OPENS ON TEMP RISE, MANUAL RESET, SPST, 25A/240V QC TERMINAL
SEN00297	7	1	SENSOR; FLAME

GAS BURNER MANIFOLD

75010436

REV
A

TYPICAL ILLUSTRATIONS



Part No.	Reference No.	Quantity	Description
VAL08750	2	1	VALVE; GAS, NATURAL, 2 STAGE, 24 VAC, 50/60 HZ, .4 AMP REDUNDANT, INLET OUTLET 3/4 X 3/4-14 NPT, MAX OP PRESSURE .5 PSIG
BRK04442	3	1	BRACKET, GAS VALVE CLAMP

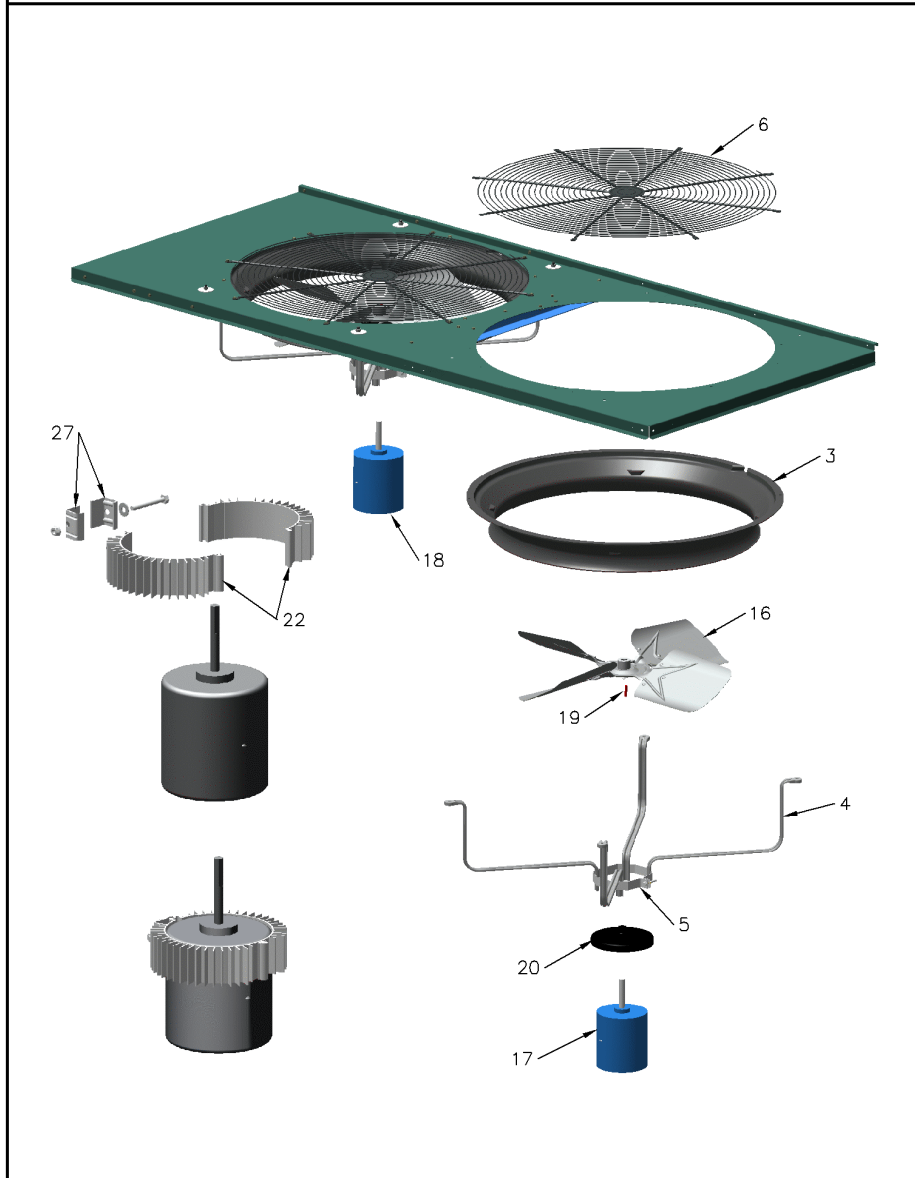
Part No.	Reference No.	Quantity	Description
SHE05939	1	1	SHEAVE; 1VP40, .875 BORE
SHE05423	2	1	SHEAVE; BK140, 1 7/16IN. BORE
B00169	3	1	BELT;V (BX), BX55, 58.0 OUTSIDE LG. X 56.8 PITCH LG.
BLT00989	6	1	BOLT; MOTOR ADJUST, .31-18 X 5.0
NUT00890	7	1	NUT; PALLET, 5/16-18 UNC 2B THD.
SHF03551	8	1	SHAFT; IDF, 1.4375 INCHES DIA., 59.35 INCHES
BRG01940	9	2	BEARING;PILLOW BLOCK, BALL,1.43 BORE
MOT03765	10	1	MOTOR; 5 HP AT 208-230/460/60/3, 3 HP AT 200/380-415/50/3, 56 HZ FRAME, 2 POLE, 3450 RPM (BOTH HP), BALL BEARING, ODP, THERMALLY PROTECTED
FAN05094	12	2	FAN; ID WHEEL, 15X15, 1.4375" BORE
KEY00105	20	1	KEY; 3/8IN.X 3/8IN.X2-1/2IN.
CNT03511	21	1	CONTROL; LIMIT, 120F, AUTOMATIC RESET, SPST, NC, 15A/120VAC, 10A/240VAC, QC TERMINAL
HUS04190	22	2	HOUSING; BLOWER HOUSING ASSEMBLY, WITH FAN WHEEL

OUTDOOR FAN ASSEMBLY

75010439

REV
A

TYPICAL ILLUSTRATION

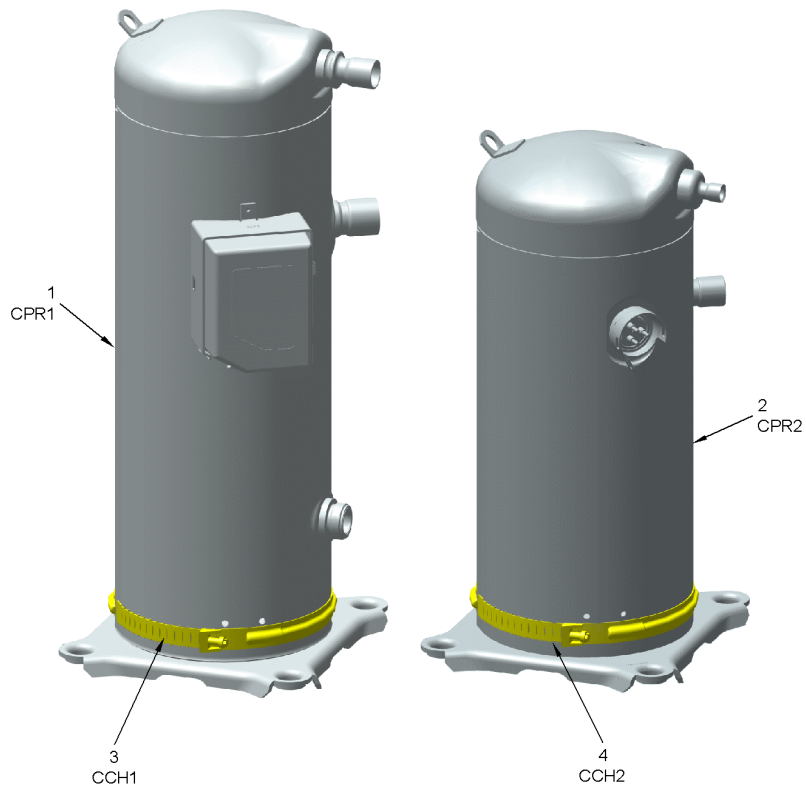


Part No.	Reference No.	Quantity	Description
ORF00540	3	2	ORIFICE; FAN, 28 IN. INSIDE DIAMETER, 34.50 IN. OUTSIDE DIAMETER
BRK01646	4	8	BRACKET; MOTOR MOUNT 16.88 LEG
BRK01160	5	2	BRACKET, MOTOR MOUNT
GRL00426	6	2	GRILLE; FAN, 33 INCH DIA, 35.50 MTG DIA
FAN02215	16	2	FAN; 4 BLADE, ALUMINUM, 28 IN DIA, 29 DEG PITCH, CW, 5/8 IN BORE
MOT18737	17	1	MOTOR; 1 HP, 3 PH, 230 V
MOT18737	18	1	MOTOR; 1 HP, 3 PH, 230 V

COMPRESSORS
AND CRANKCASE HEATERS

75012840

REV.
A



This is a typical illustration. The unit in the field may not appear exactly as shown.

Parts List Number :GACUP1

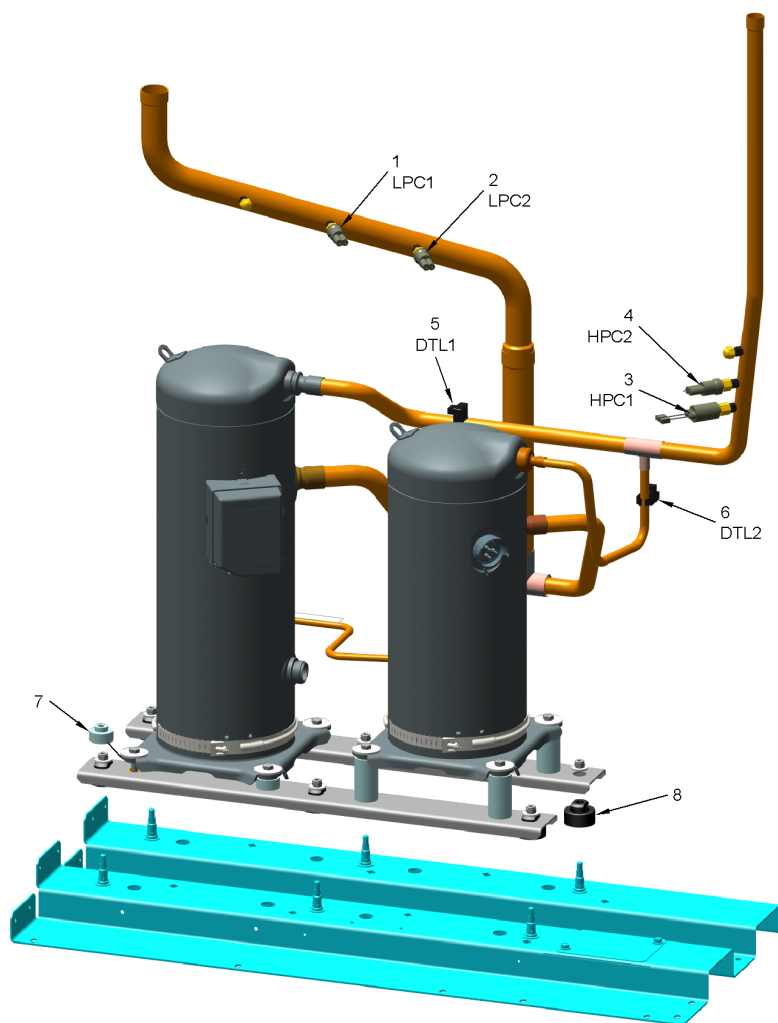
Model Number :GBC210A3EHA0000

Part No.	Reference No.	Quantity	Description
COM12977	1	1	COMPRESSOR; SCROLL-TANDEM READY; 9 TON; 104,000 BTUH; 230-60-3; R-410A
COM12973	2	1	COMPRESSOR; SCROLL-TANDEM READY; ALLIANCE; 6 TON; 76,000 BTUH; 230-60-3; R-410A
HTR15357	3	1	HEATER; CRANKCASE, 70W 230V 6.63 DIA
HTR15357	4	1	HEATER; CRANKCASE, 70W 230V 6.63 DIA

COMPRESSOR MANIFOLD PIPING
AND CONTROLS, 17.5 TON

75012844

REV.
A



This is a typical illustration. The unit in the field may not appear exactly as shown.

Parts List Number :GACUP1

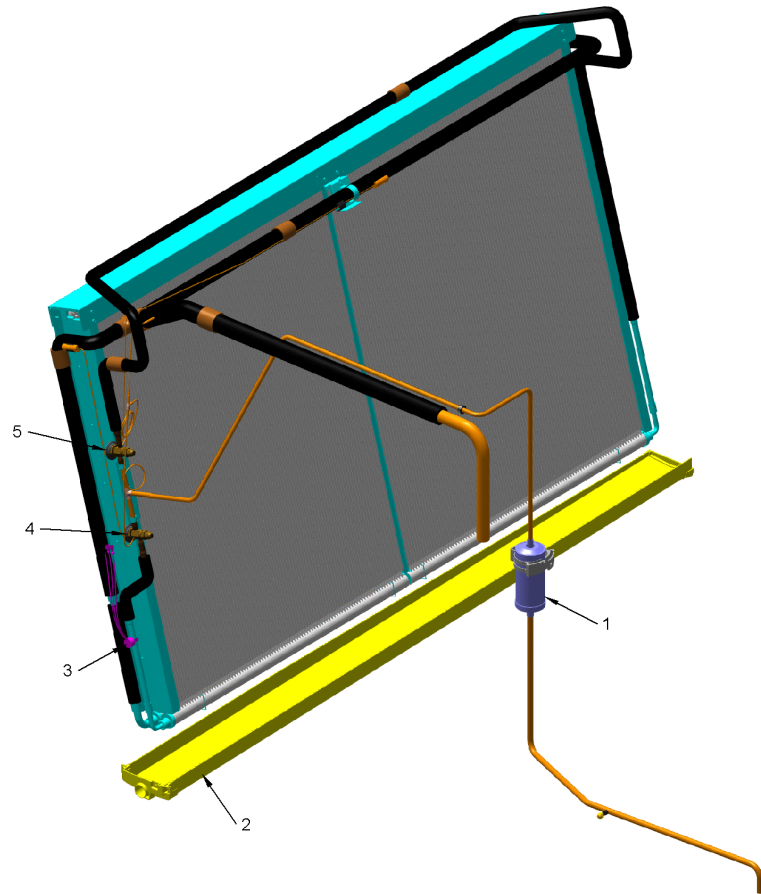
Model Number :GBC210A3EHA0000

Part No.	Reference No.	Quantity	Description
SWT03921	1	1	SWITCH; CONTROL; LOW PRESSURE; PRESS-LO - 35OP/55 CL, YELLOW LEADS
SWT03921	2	1	SWITCH; CONTROL; LOW PRESSURE; PRESS-LO - 35OP/55 CL, YELLOW LEADS
CNT04960	3	1	CONTROL; HIGH PRESSURE, 650 OPEN, 550 CLOSE, .25 FFL W/DEFLATOR, 72.00 RED LEADS WITH 1/4 FEMALE AND MALE QC-BLACK.
SWT03017	4	1	SWITCH; HIGH PRESSURE, SPST, OPEN AT 650 PSIG, CLOSE AT 550 PSIG, 6.0 FLA, 36 LRA AT 120/240 VAC, 60 INCH ORANGE WIRE LEADS
THT02762	5	1	THERMOSTAT; WITH CLIP, .875 TUBE, 72" BLACK WIRES, SPST, 230F OPEN, 180F CLOSE
THT02761	6	1	THERMOSTAT; WITH CLIP, .5/.625 TUBE, 72" RED WIRES, SPST, 230F OPEN, 180F CLOSE
GRM00888	8	6	GROMMET; ISOLATOR, COMPRESSOR, .438 ID X .160 GRV, .750 DIA X 1.625 OD, BLACK NEOPRENE RUBBER

TXVSs AND INTERCONNECTING TUBING

75012846

REV.
A



This is a typical illustration. The unit in the field may not appear exactly as shown.

Parts List Number :GACUP1

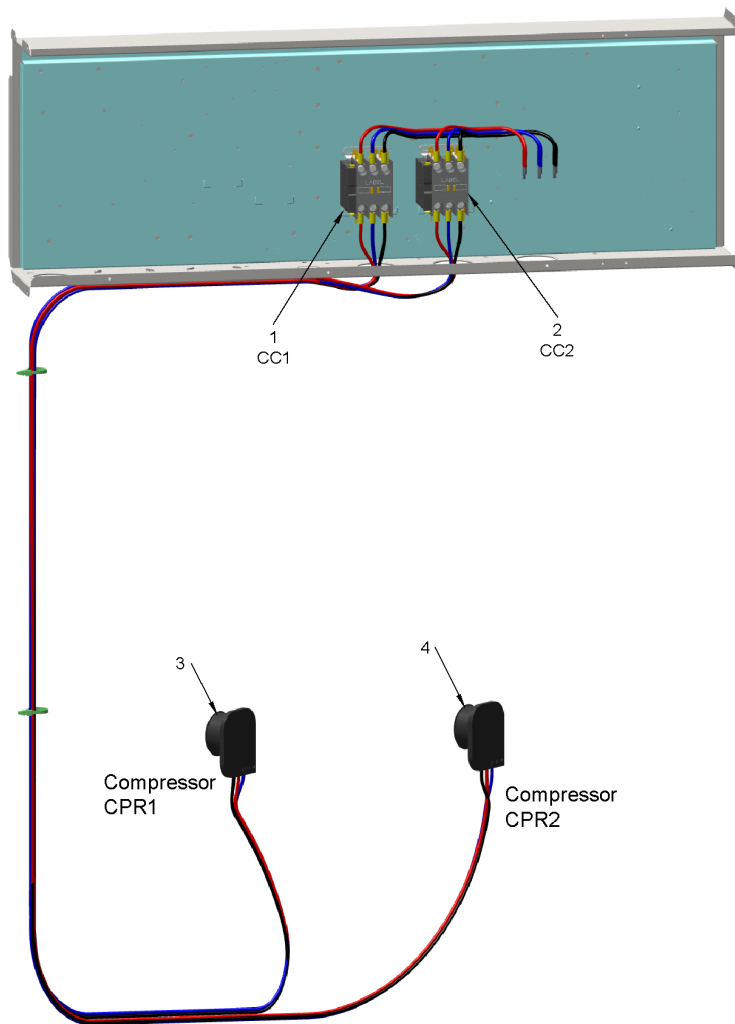
Model Number :GBC210A3EHA0000

Part No.	Reference No.	Quantity	Description
DHY01501	1	1	DRIER; FILTER/LIQUID LINE,0.63 INLET 0.50 OUTLET
PAN03448	2	1	PAN; DRAINPAN
THT03252	3	1	THERMOSTAT; FROSTAT, TYPE - BI-METALIC DISC
VAL18988	4	1	VALVE, THERMAL EXPANSION, 8 T CIR 2
VAL18987	5	1	VALVE, THERMAL EXPANSION, 8 T CIR 1

COMPRESSOR POWER HARNESSES
AND CONTACTORS CC1, CC2

75012847

REV.
A

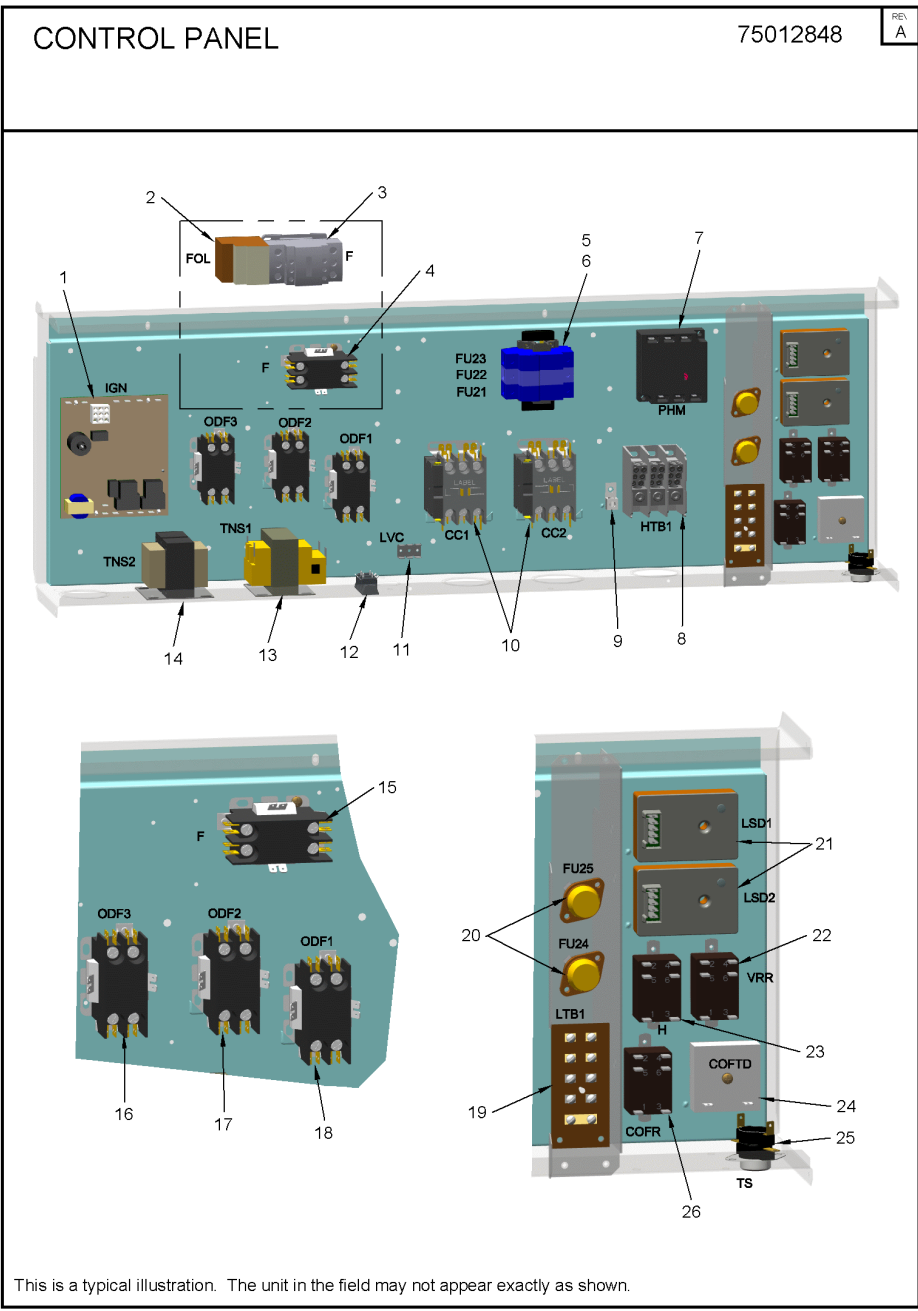


This is a typical illustration. The unit in the field may not appear exactly as shown.

Parts List Number :GACUP1

Model Number :GBC210A3EHA0000

Part No.	Reference No.	Quantity	Description
CTR03073	1	1	CONTACTOR; 3 POLE, NO 63FLA AT 600V, W/NC SPST
CTR03073	2	1	CONTACTOR; 3 POLE, NO 63FLA AT 600V, W/NC SPST
WIR09311	3	1	WIRE; HARNESS POWER, COMPRESSOR - CC1 - COMPRESSOR 1, 17.5T-20T, 208/230V
WIR09314	4	1	WIRE; HARNESS POWER, COMPRESSOR - CC2 - COMPRESSOR 2, 17.5T, 208/230V

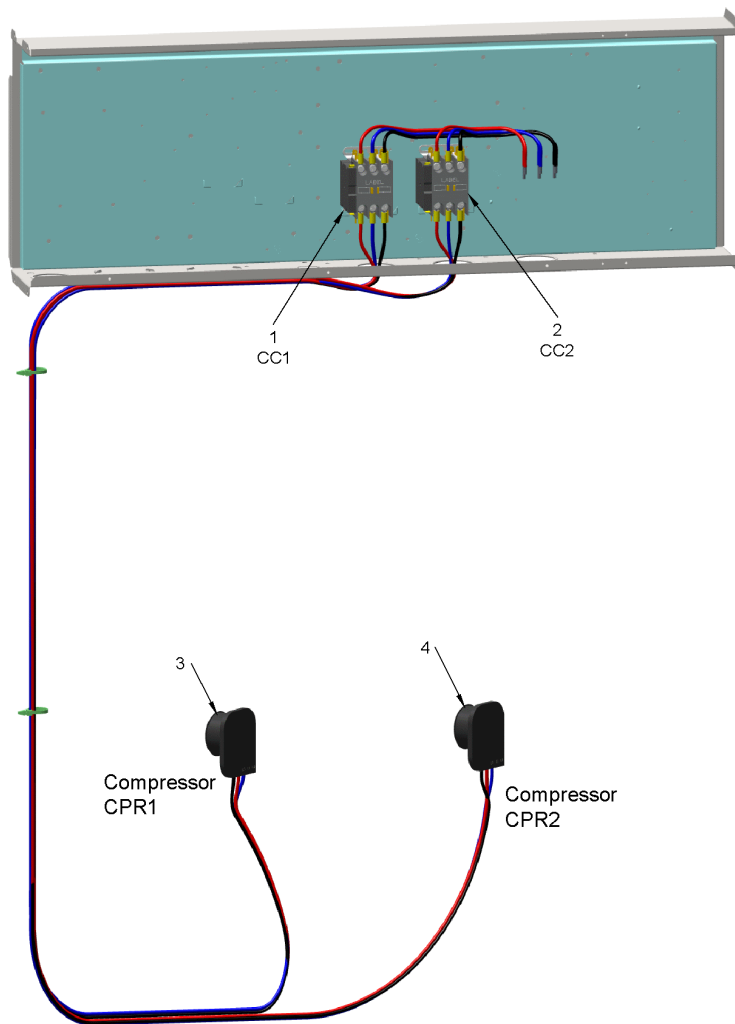


Part No.	Reference No.	Quantity	Description
CNT04717	1	1	CONTROL; IGNITION MODULE, STANDALONE GAS DUAL STAGE
CTR01203	4	1	CONTACTOR; 2P, 30A, 24V COIL, 30 FLA AT 277V
FUS01746	5	1	HOLDER; FUSE 3P, 30A, 600V, CLASS CC ULTRASAFE
FUS01282	6	3	MIN=10/10 FUSE; 20A, 600V, CLASS CC, 0.406 DIAMETER X 1.50 LONG, TIME DELAY
CNT05176	7	1	CONTROL; MONITOR, 3-PHASE LINE, UNIVERSAL 180-632 VAC, PHASE AND LOSS REVERSAL
BLK01469	8	1	BLOCK; TERMINAL, 3 POLE, 175A, 600V
CON00077	9	1	CONNECTOR, ELECTRIC GROUND, 14-2 AWG SOLDERLESS
75012847	10		COMPRESSOR POWER HARNESES AND CONTACTORS CC1, CC2
BLK01438	11	1	BLOCK; TERMINAL STRIP, 0.25 IN FASTON
BLK01642	12	1	BLOCK; TERMINAL, DOUBLE ROW - 2 POLE
TRR02934	13	1	TRANSFORMER, 100 VA, 208/230 V
CTR01203	15	1	CONTACTOR; 2P, 30A, 24V COIL, 30 FLA AT 277V
CTR01203	17	1	CONTACTOR; 2P, 30A, 24V COIL, 30 FLA AT 277V
CTR01203	18	1	CONTACTOR; 2P, 30A, 24V COIL, 30 FLA AT 277V
TER01594	19	1	TERMINAL; STRIP, LTB, INCLUDES CO2 & ESTOP CONNECTORS
FUS00038	20	1	FUSEHOLDER; PANEL MTD, 600VAC, 30AMP
FUS00902	20	1	FUSE; 5A, 200/230/60, 600V, CLASS CC
MOD02964	21	2	MODULE, LOCKING SAFETY DEVICE WITH ASC TIMER

COMPRESSOR POWER HARNESSES
AND CONTACTORS CC1, CC2

75012847

REV.
A



This is a typical illustration. The unit in the field may not appear exactly as shown.

Parts List Number :GACUP1

Model Number :GBC210A3EHA0000

Part No.	Reference No.	Quantity	Description
CTR03073	1	1	CONTACTOR; 3 POLE, NO 63FLA AT 600V, W/NC SPST
CTR03073	2	1	CONTACTOR; 3 POLE, NO 63FLA AT 600V, W/NC SPST
WIR09311	3	1	WIRE; HARNESS POWER, COMPRESSOR - CC1 - COMPRESSOR 1, 17.5T-20T, 208/230V
WIR09314	4	1	WIRE; HARNESS POWER, COMPRESSOR - CC2 - COMPRESSOR 2, 17.5T, 208/230V