

PACKAGED COOLING, GAS ELECTRIC  
3 - 5 Ton Foundation

75011936

REV.  
A

The sections that appear on this illustration are for all options.  
Sections and options will appear in the Parts List if ordered with the unit.



This is a typical illustration. The unit in the field may not appear exactly as shown.

Parts List Number :GBCUP1

Model Number :GBC060AWEMB0001

| <b>Part No.</b> | <b>Reference No.</b> | <b>Quantity</b> | <b>Description</b>   |
|-----------------|----------------------|-----------------|--|
| 75011941        | 1                    |                 | CONTROL PANEL  |
| 75011977        | 1                    |                 | HARNESS - CONTROLS   |
| 75011976        | 1                    |                 | HARNESS - POWER  |
| 75011963        | 1                    |                 | LEGEND - DEVICE DESIGNATORS                                |
| 75011957        | 2                    |                 | FAN - OUTDOOR  |
| 75011938        | 3                    |                 | CABINET  |
| 75011960        | 5                    |                 | UNIT BASE COMPONENTS & INTERIOR DIVIDER PANELS             |
| 75011940        | 6                    |                 | BLOWER - INDOOR FAN  |
| 75011986        | 7                    |                 | BURNERS, GAS VALVE, INDUCER, FD, FR, IP, TCO               |
| 75011988        | 7                    |                 | HARNESS - GAS HEAT ENCLOSURE                               |
| 75011987        | 8                    |                 | HEAT EXCHANGER & ENCLOSURE                                 |
| 75011943        | 9                    |                 | REFRIGERATION  |
| 75011961        | 13                   |                 | MODEL NUMBER DESCRIPTION DIGITS 1-20                       |
| 75011962        | 13                   |                 | MODEL NUMBER DESCRIPTION DIGITS 21-26 & MODEL NUMBER NOTES |
| OPTIONSGBC      | 14                   |                 | OPTIONAL FIELD INSTALLED ACCESSORIES                       |

GAS HEAT CONTROLS HARNESS  
3-5 Ton GBC

75011977

REV  
A



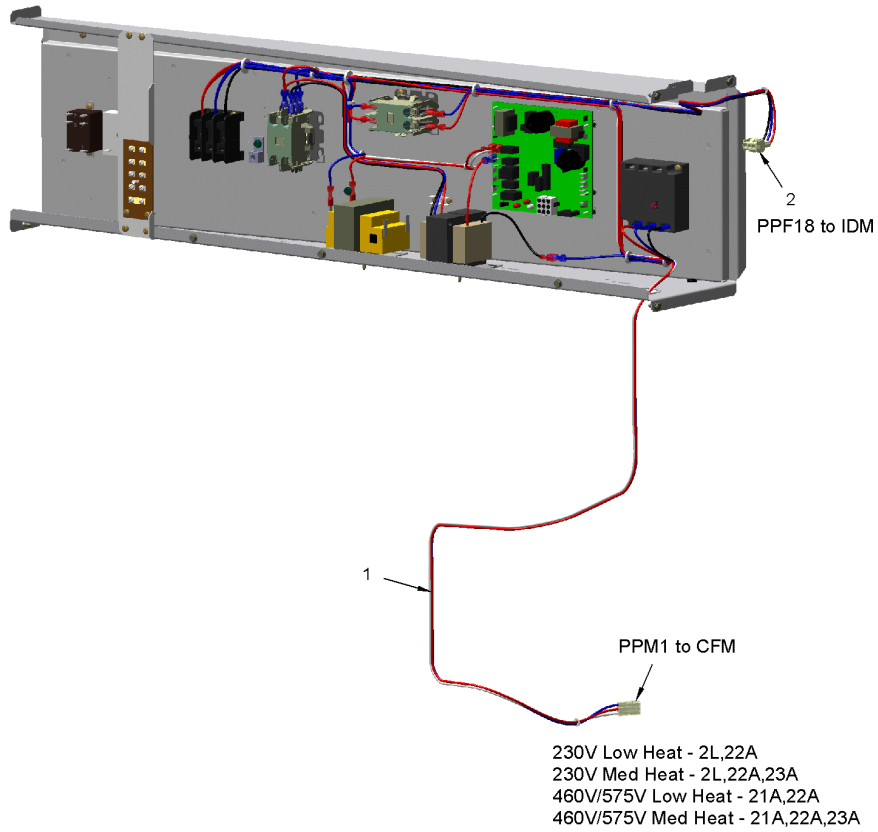
This is a typical illustration. The unit in the field may not appear exactly as shown.

| <b>Part No.</b> | <b>Reference No.</b> | <b>Quantity</b> | <b>Description</b>   |
|-----------------|----------------------|-----------------|--|
| WIR08777        | 1                    | 1               | WIRE; HARNESS; CONTROLS - GAS HEAT (713 IGN)                 |
| PLU00325        | 2                    | 1               | PLUG; CONNECTOR, POLARIZED, 9 PIN MALE, NYLON, NATURAL COLOR |
| PLU00325        | 3                    | 1               | PLUG; CONNECTOR, POLARIZED, 9 PIN MALE, NYLON, NATURAL COLOR |
| CON00973        | 4                    | 1               | CONNECTOR; 3 CKT, CAP HSG, WHITE/NATURAL                     |

GAS HEAT POWER HARNESS  
3-5 Ton GBC

75011976

REV  
A



This is a typical illustration. The unit in the field may not appear exactly as shown.

| <b>Part No.</b> | <b>Reference No.</b> | <b>Quantity</b> | <b>Description</b>                                 |
|-----------------|----------------------|-----------------|--|
| WIR08772        | 1                    | 1               | WIRE; HARNESS; POWER - 460/575V GAS HEAT (713 IGN) |
| CON00973        | 2                    | 1               | CONNECTOR; 3 CKT, CAP HSG, WHITE/NATURAL           |

LEGEND - DEVICE DESIGNATORS

75011963

REV.  
A

Foundation 3 - 5 Ton

| DEVICE DESIGNATION | DESCRIPTION                      |
|--------------------|----------------------------------|
| CC1                | COMPRESSOR CONTACTOR             |
| CCH                | CRANKCASE HEATER                 |
| CFM                | MOTOR - COMBUSTION FAN           |
| CO2                | CO2 SENSOR                       |
| COF                | CONDENSATE OVERFLOW SWITCH       |
| COFR               | CONDENSATE OVERFLOW RELAY        |
| COFTD              | CONDENSATE OVERFLOW SWITCH TD    |
| CPR                | COMPRESSOR                       |
| DISC               | SINGLE POINT DISCONNECT          |
| DTL                | SWITCH - DISCHARGE TEMP LIMIT    |
| ECA                | ECONOMIZER CONTROL ACTUATOR      |
| ECON               | MODULE ULTRA LOW-LEAK ECONOMIZER |
| EFR                | ECONOMIZER FAULT RELAY           |
| EH                 | RELAY CONTROL                    |
| ESTOP              | EMERGENCY STOP SWITCH            |
| F                  | FAN RELAY - CONTACTOR            |
| FD                 | FLAME DETECTOR                   |
| FOS                | FROSTAT SWITCH (OPTIONAL)        |
| FR                 | FLAME ROLLOUT                    |
| FTB                | INDOOR FAN HARNESS CONNECTION    |
| FTD                | FROSTAT TIME DELAY               |
| GV                 | VALVE - GAS                      |
| HPC                | SWITCH - HIGH PRESSURE           |
| HTB                | TERMINAL BLOCK                   |
| IDM                | INDOOR BLOWER MOTOR              |
| IGN                | MODULE - GAS IGNITION            |
| IP                 | IGNITOR PLUG                     |

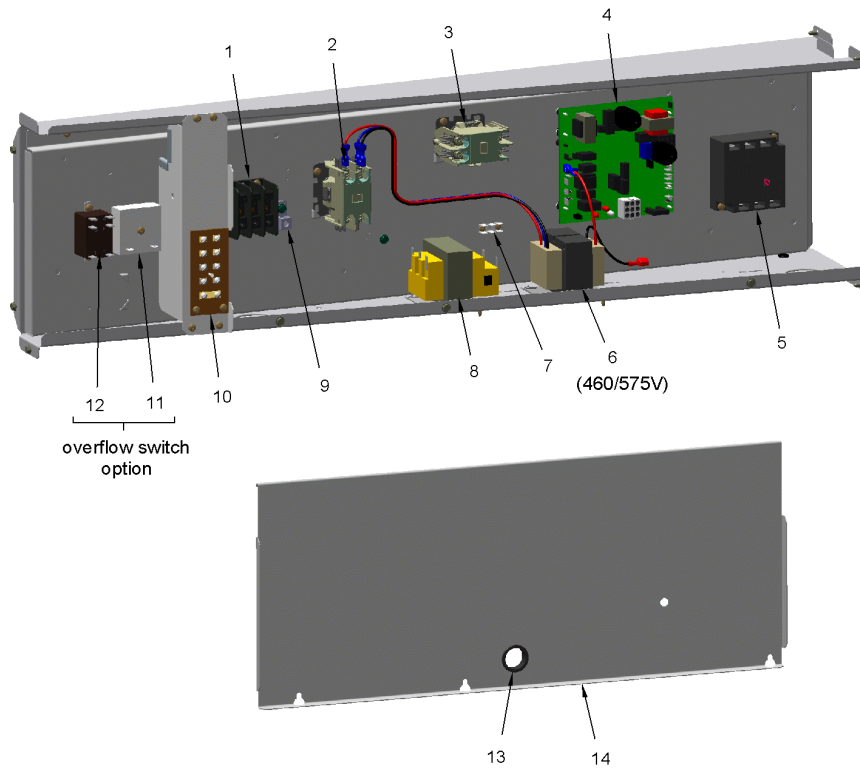
| DEVICE DESIGNATION | DESCRIPTION                          |
|--------------------|--------------------------------------|
| LAT                | LOW AMBIENT TEMP SENSOR              |
| LLT                | SENSOR LIQUID LINE TEMPERATURE       |
| LOAM               | LOW AMBIENT CONTROLLER               |
| LPBP               | LOW-PRESSURE BYPASS TIME DELAY RELAY |
| LPC                | SWITCH - LOW PRESSURE                |
| LTB1               | TERMINAL BLOCK                       |
| LTB2               | TERMINAL BLOCK                       |
| LVC                | LOW VOLTAGE (24V) COMMON             |
| MAS                | SENSOR MIXED AIR TEMP (STD)          |
| MAS                | SENSOR MIXED AIR TEMP (LOW LEAK)     |
| MV                 | GAS - MAIN VALVE                     |
| OAE                | SENSOR OUTDOOR AIR TEMP / HUMIDITY   |
| OAH                | SENSOR OUTSIDE AIR HUMIDITY          |
| OAT                | SENSOR OUTDOOR AIR TEMP              |
| ODM                | MOTOR - OUTDOOR                      |
| OHS                | SENSOR OUTSIDE AIR HUMIDITY          |
| PHM                | MODULE - PHASE MONITOR               |
| PS                 | PRESSURE SWITCH                      |
| RAE                | RETURN AIR TEMP AND HUMIDITY         |
| RAH                | SENSOR RETURN AIR HUMIDITY           |
| RAS                | SENSOR RETURN AIR TEMP               |
| RHS                | SENSOR RETURN AIR HUMIDITY           |
| RTEM               | MODULE RELIATEL ECONOMIZER           |
| TCO                | TEMP CUTOUT                          |
| TNS1               | TRANSFORMER - 24 CONTROLS            |
| TNS2               | TRANSFORMER - GAS HEAT               |
| XFR                | CONTACTOR - POWER EXHAUST            |

This is a typical illustration. The unit in the field may not appear exactly as shown.

CONTROLS

75011941

REV.  
A



This is a typical illustration. The unit in the field may not appear exactly as shown.

| Part No. | Reference No. | Quantity | Description  |
|----------|---------------|----------|--|
| CTR00844 | 2             | 1        | CONTACTOR; 30A, 240/277/480/600V, 24V COIL, 2 POLE                             |
| SCR00906 | 2             | 1        | SCREW; 8-32 X .50  |
| CTR00844 | 3             | 1        | CONTACTOR; 30A, 240/277/480/600V, 24V COIL, 2 POLE                             |
| SCR00906 | 3             | 1        | SCREW; 8-32 X .50  |
| CNT05135 | 4             | 1        | CONTROL; DUAL STAGE, DIRECT SPARK IGNITION MODULE                              |
| CNT05176 | 5             | 1        | CONTROL; MONITOR, 3-PHASE LINE, UNIVERSAL 180-632 VAC, PHASE AND LOSS REVERSAL |
| SCR01072 | 5             | 2        | SCREW;8-32 X 1.00  |
| CON00251 | 6             | 1        | CONNECTOR; WIRE  |
| SCR00906 | 6             | 1        | SCREW; 8-32 X .50  |
| TRR02596 | 6             | 1        | TRANSFORMER; 150 VA, AUTOTRANS   |
| WAS00611 | 6             | 1        | WASHER;LOCK, .19 ID X .39 OD   |
| BLK01438 | 7             | 1        | BLOCK; TERMINAL STRIP, 0.25 IN FASTON  |
| SCR00721 | 7             | 2        | SCREW; PHILLIPS HEAD, 6-32 X 1/2   |
| TRR00826 | 8             | 1        | TRANSFORMER; 75 VA, 460-575V PRI, 24V SEC                                      |
| CON00077 | 9             | 1        | CONNECTOR, ELECTRIC GROUND, 14-2 AWG SOLDERLESS                                |
| TER01594 | 10            | 1        | TERMINAL; STRIP, LTB, INCLUDES CO2 & ESTOP CONNECTORS                          |
| BUS00316 | 13            | 1        | BUSHING; SNAP, 1.09 INCH OD X 0.94 ID, MAX PANEL THICKNESS 0.125, BLACK NYLON  |
| PNL34611 | 14            | 1        | PANEL; DEAD FRONT; CONTROL BOX COVER   |

FAN - OUTDOOR

75011957

REV.  
A



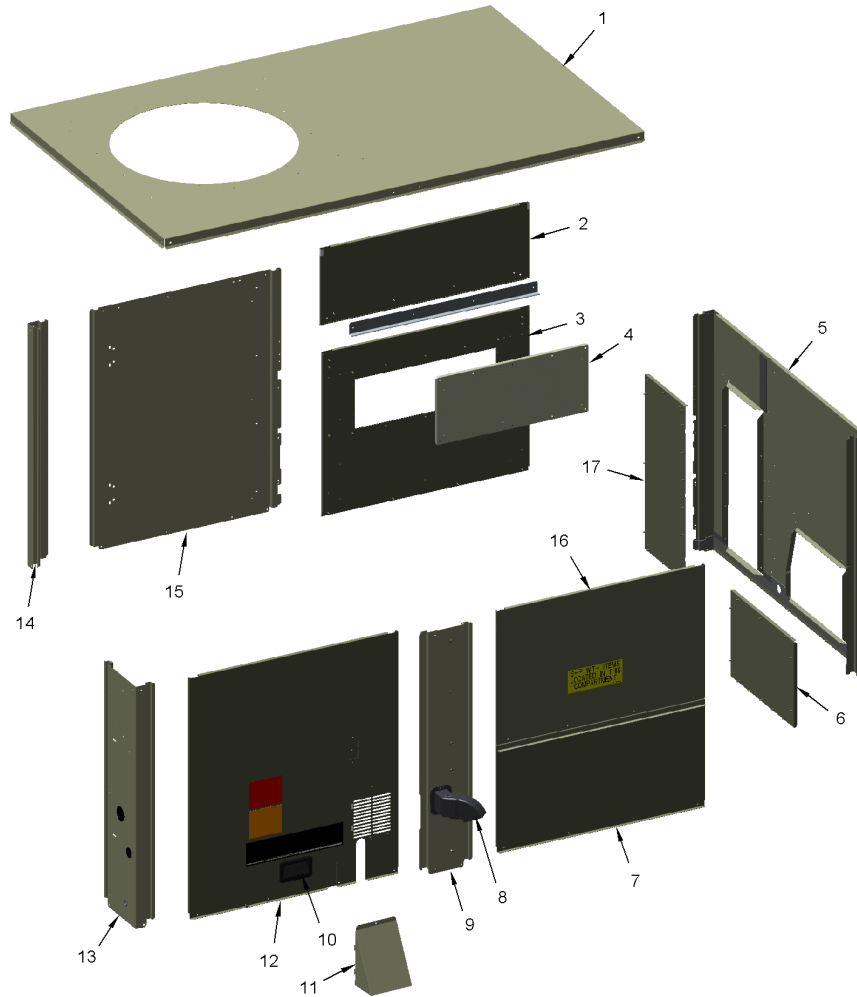
This is a typical illustration. The unit in the field may not appear exactly as shown.

| Part No. | Reference No. | Quantity | Description   |
|----------|---------------|----------|---|
| NUT00845 | *             | 4        | NUT; FLANGE NIBBED  |
| GRL01863 | 1             | 1        | GRILL; OUTDOOR FAN, WIRE, 26.85 MOUNTING DIA  |
| MOT17969 | 2             | 1        | MOTOR; 3 PHASE 1/3 HP 575/60/3  |
| ORF01695 | 3             | 1        | ORIFICE; PLASTIC INLET, 23.36 ID  |
| FAN04028 | 4             | 1        | FAN, 3 BLADE, ALUMINUM, 23" DIA, 24 DEGREES PITCH, .50" BORE, CCW, 1 SET SCREW-STEEL, SPIDER .057 THK, FINISH/PAINT |
| GRD01715 | 5             | 1        | GUARD; TROUGH-LEAD, 11 IN L X 0.83 OD   |
| SCR01623 | 6             | 4        | SCREW; SHEET METAL, 10-16 UNC X 1/2, HIGH TORQUE, INDENT HEX-WASHER HEAD  |

CABINET

75011938

REV.  
A



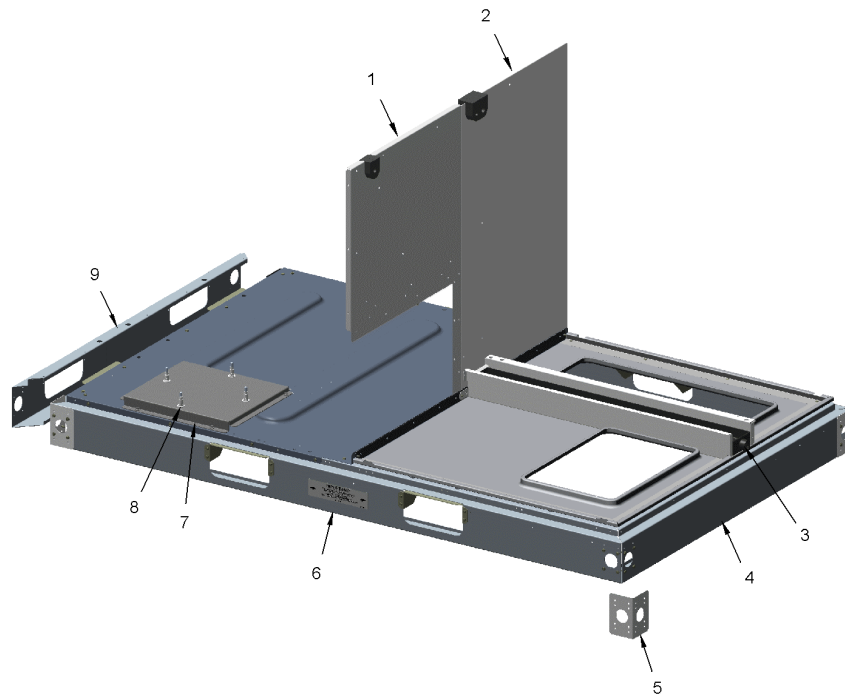
This is a typical illustration. The unit in the field may not appear exactly as shown.

| Part No. | Reference No. | Quantity | Description   |
|----------|---------------|----------|---|
| PAI00074 | *             | 1        | PAINT; SPRAY, SLATE GREY, FULL GLOSS(88) (SHIPPING UOM 12 OZ HAZ) |
| PNL34604 | 1             | 1        | PANEL; ASSEMBLY; ROOF PANEL                                       |
| PNL34596 | 2             | 1        | PANEL; ASSEMBLY; FILTER ACCESS                                    |
| PNL34581 | 3             | 1        | PANEL; ASSEMBLY; ACCESSORY  |
| PNL34595 | 3             | 1        | PANEL; ACCESSORY  |
| COV05306 | 4             | 1        | COVER, MANUAL FRESH AIR   |
| PNL34588 | 5             | 1        | PANEL; ASSEMBLY; ID END   |
| PNL34577 | 6             | 1        | PANEL; ASSEMBLY; SUPPLY COVER                                     |
| PNL34598 | 7             | 1        | PANEL; ASSEMBLY; HEAT SECTION ACCESS                              |
| HOD00519 | 8             | 1        | HOOD; ASSEMBLY, FLUE  |
| PNL34606 | 9             | 1        | PANEL; ASSEMBLY; CENTER POST, FRONT                               |
| HDL00887 | 10            | 1        | HANDLE; ACCESS PANEL, BLACK PLASTIC, 5.15 X 3.275                 |
| BRK04896 | 11            | 1        | BRACKET; RAIN SHIELD  |
| PNL34594 | 12            | 1        | PANEL; ASSEMBLY; OD ACCESS, GAS HEAT                              |
| BUS00821 | 13            | 1        | BUSHING; SNAP, .88 MTG W/.69 HOLE (1 CTN = 50 PCS)                |
| PLU00349 | 13            | 1        | PLUG; 1.38 DIA HOLE, .12 THK PANEL, MOLDED PLASTIC                |
| PLU00361 | 13            | 1        | PLUG; 2.0 DIA, 0.12 THICK PLASTIC                                 |
| PNL34608 | 13            | 1        | PANEL; ASSEMBLY; OD FRONT CORNER POST                             |
| PNL34576 | 14            | 1        | PANEL; CORNER POST; OD REAR                                       |
| PNL34599 | 15            | 1        | PANEL; ASSEMBLY; CENTER POST, REAR, 9.50 X 36.90                  |
| PNL34597 | 16            | 1        | PANEL; ASSEMBLY; ID FAN ACCESS PANEL                              |
| PNL34607 | 17            | 1        | PANEL; ASSEMBLY; RETURN COVER                                     |

BASE COMPONENTS

75011960

REV.  
A



This is a typical illustration. The unit in the field may not appear exactly as shown.

Parts List Number :GBCUP1

Model Number :GBC060AWEMB0001

| <b>Part No.</b> | <b>Reference No.</b> | <b>Quantity</b> | <b>Description</b>                      |
|-----------------|----------------------|-----------------|---|
| PNL34593        | 1                    | 1               | PANEL; ASSEMBLY; DIVIDER WALL, GAS HEAT |
| PNL34609        | 2                    | 1               | PANEL; ASSEMBLY; REAR DIVIDER PANEL     |
| PAN04077        | 3                    | 1               | PAN; DRAIN                              |
| PLU01169        | 3                    | 1               | PLUG; THREADED 3/4                      |
| RAL01188        | 4                    | 1               | RAIL; BASE RAIL ID END                  |
| BRK04897        | 5                    | 4               | BRACKET; BASERAIL CORNER                |
| RAL01190        | 6                    | 2               | RAIL; BASE RAIL FRONT AND REAR          |
| PLU06192        | 7                    | 1               | NO DESCRIPTION AVAILABLE                |
| NUT00890        | 8                    | 4               | NUT; PALLET, 5/16-18 UNC 2B THD.        |
| RAL01189        | 9                    | 1               | RAIL; BASE RAIL OD END                  |

BLOWER - INDOOR FAN

75011940

REV.  
A



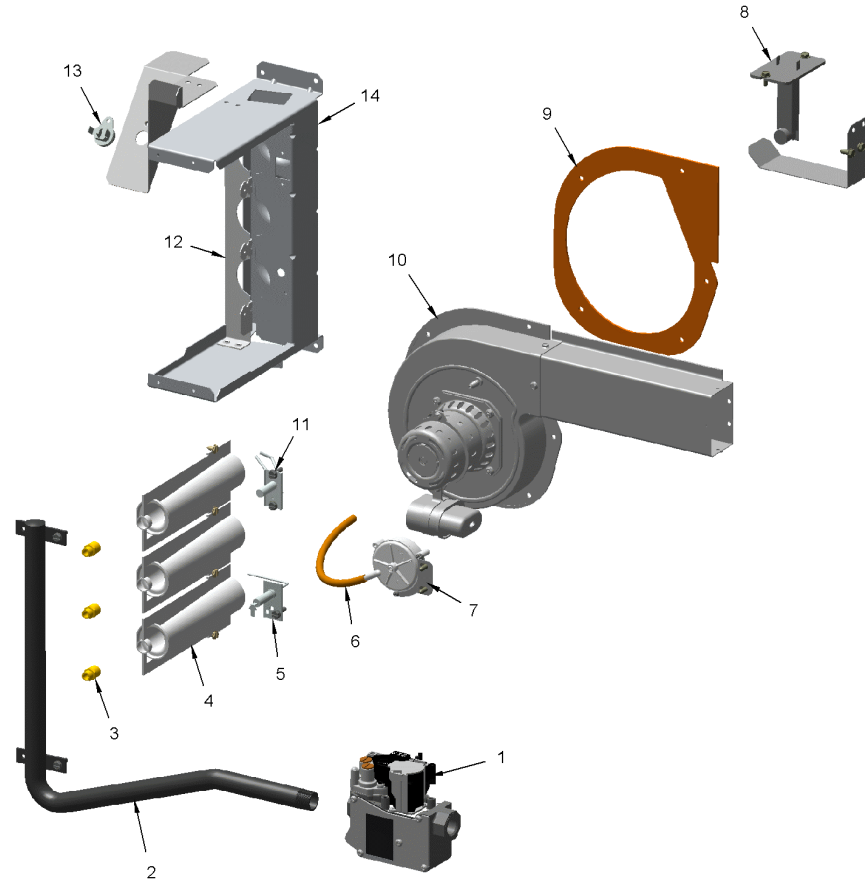
This is a typical illustration. The unit in the field may not appear exactly as shown.

| Part No. | Reference No. | Quantity | Description   |
|----------|---------------|----------|---|
| CON00280 | *             | 1        | CONNECTOR; .50 NOM  |
| SLV00063 | *             | 1        | SLEEVE; .50 NOM, CONDUIT  |
| MOT13031 | 1             | 1        | MOTOR; 2.0 HP, 575/60/3, 1740 RPM, 56 HZ FRAME, BALL BEARINGS                     |
| PLT06193 | 2             | 1        | PLATE; ID MOTOR MOUNT SLIDE   |
| PLT06195 | 3             | 1        | PLATE; ID MOTOR MOUNT SUPPORT   |
| SCR01634 | 4             | 1        | SCREW; .31-18 X .75, HEX MACH   |
| SHE00046 | 5             | 1        | SHEAVE; 1VL40, 7/8 IN. BORE   |
| BLL00441 | 6             | 1        | V-BELT; AX40 NOTCHED 41.3 PL  |
| BRG01578 | 7             | 2        | BEARING;BALL; . 0.750 BORE, BB CTRG, SINGLE ROW, RADIAL CONTACT, RUBBER CUSHIONED |
| SHF03135 | 8             | 1        | SHAFT; INDOOR FAN, 18.45 LENGTH, 0.75 DIA.  |
| SHE01543 | 9             | 1        | SHEAVE; 1 GRV-A-FP, .75 BORE, V-BELT, AK51 X 3/4, FAN                             |
| WIR08766 | 10            | 1        | WIRE; HARNESS; INDOOR BLOWER MOTOR  |
| CON00486 | 11            | 1        | CONNECTOR; PLUG HOUSING, 3 PIN MALE   |
| BRK03735 | 12            | 2        | BRACKET; BEARING, 3 ARM MECHANICALLY CLINCHED ASSEMBLY                            |
| NUT00355 | 13            | 6        | NUT; HEX, LOCK, 5/16IN.-18  |
| WAS00355 | 13            | 6        | WASHER;   |
| HUS04323 | 14            | 1        | HOUSING; BLOWER   |
| WHL02170 | 15            | 1        | WHEEL; FAN, 11.87 DIA X 11.93W, .75 BORE, CCW, CONCAVE                            |
| PNL34592 | 16            | 1        | PANEL; ASSEMBLY; FAN BOARD; INDOOR FAN DECK                                       |

BURNER

75011986

REV.  
A



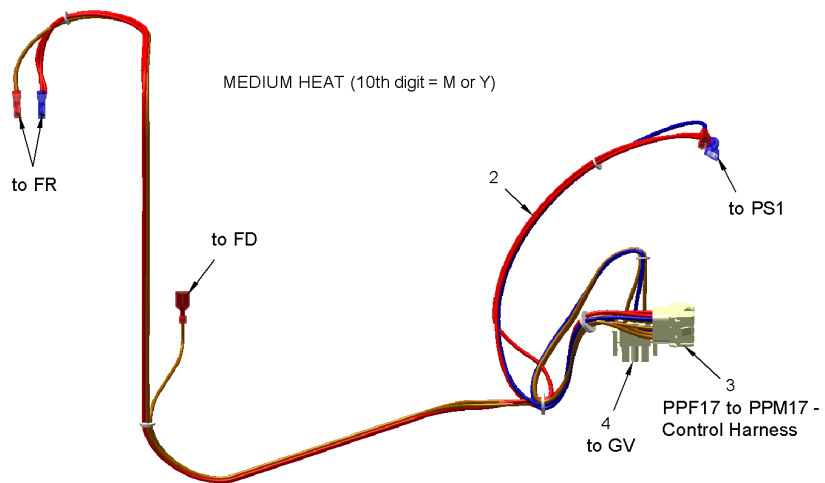
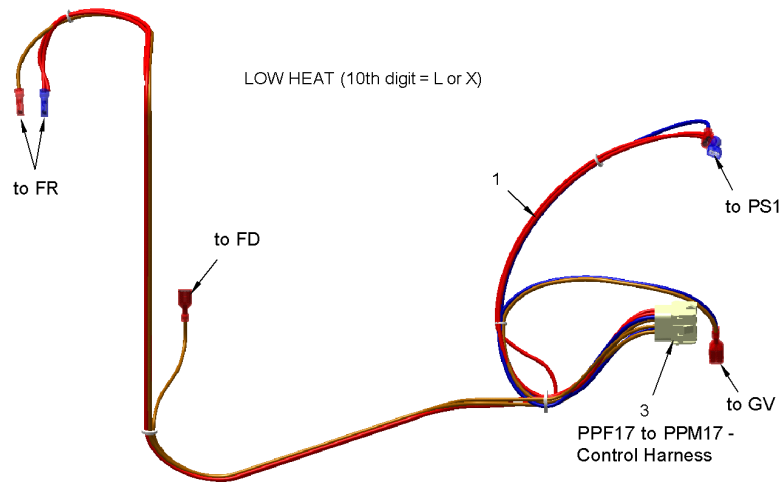
This is a typical illustration. The unit in the field may not appear exactly as shown.

| Part No. | Reference No. | Quantity | Description   |
|----------|---------------|----------|---|
| VAL09034 | 1             | 1        | VALVE; GAS, 2 STAGE, 1/2-14 NPT, 24V, 50/60 HZ, "J" SERIES  |
| MFD01435 | 2             | 1        | MANIFOLD; ASSEMBLY; 115K  |
| ORF01307 | 3             | 3        | ORIFICE; GAS, .116 DIA, # 32 DRILL, SPUD  |
| BNR01071 | 4             | 3        | BURNER; 0.60 ID INSHOT BURNER, 0.036 THK 304 STAINLESS STEEL  |
| SEN00297 | 5             | 1        | SENSOR; FLAME   |
| TUB08299 | 6             | 1        | TUBE; CONNECTING PRESSURE SW 3/16 IN. ID X 11.00 IN. LENGTH   |
| CNT05641 | 7             | 1        | CONTROL; AIR PRESSURE, SPST, 28VA PILOT DUTY AT 24 VAC, 125VA PILOT DUTY AT 125VAC, SNAP ACTING CONTACTS, OPERATING TEMP RANGE: -40 TO 190F |
| SWT01257 | 8             | 1        | SWITCH;THERMAL LIMIT, OPEN AT 160, CLOSE AT 130 DEG. F  |
| GKT04924 | 9             | 1        | GASKET-INDUCER BLOWER QW  |
| MOT17966 | 10            | 1        | MOTOR; INDUCER; TWO STAGE, 115MBH; WILL ALSO NEED TO ORDER GKT04924 WHICH IS NOT INCLUDED WITH THE MOTOR                                    |
| IGN00033 | 11            | 1        | IGNITOR; ELECTRODE, 47IN. LEAD  |
| RTR00981 | 12            | 1        | RETAINER; BURNER, 10.65 L   |
| SWT02173 | 13            | 1        | SWITCH; SWITCH-FLAME ROLLOUT  |
| BRK04542 | 14            | 1        | BRACKET; BURNER   |

HARNESS - GAS HEAT ENCLOSURE

75011988

REV.  
A



This is a typical illustration. The unit in the field may not appear exactly as shown.

| <b>Part No.</b> | <b>Reference No.</b> | <b>Quantity</b> | <b>Description</b>                        |
|-----------------|----------------------|-----------------|---|
| WIR08768        | 2                    | 1               | WIRE; HARNESS; GAS HEAT ENCLOSURE 2 STAGE |
| TER00381        | 3                    | 1               | TERMINAL; SOCKET HOUSING, 9 CKT           |
| CON00486        | 4                    | 1               | CONNECTOR; PLUG HOUSING, 3 PIN MALE       |

HEAT EXCHANGER  
with Enclosure

75011987

REV  
A

#1 - Heat Exchanger, includes all except 4,5,6,11 and Tube Support Bracket.



This is a typical illustration. The unit in the field may not appear exactly as shown.

| <b>Part No.</b> | <b>Reference No.</b> | <b>Quantity</b> | <b>Description</b>   |
|-----------------|----------------------|-----------------|--|
| EXC02737        | 1                    | 1               | EXCHANGER ASM, PROD SERV, 3X4 AL   |
| SHD00398        | 2                    | 1               | SHIELD; HEAT, STAINLESS STEEL, 12.77 X 7.32  |
| GKT04923        | 3                    | 1               | GASKET; COLLECTOR BOX QW   |
| PNL34579        | 4                    | 1               | PANEL; GAS HEAT OD COVER   |
| GRM00104        | 5                    | 1               | GROMMET; .52 ID X .05 GRV  |
| PNL34578        | 6                    | 1               | PANEL; GAS HEAT BOX SIDE   |
| BRK03603        | 7                    | 3               | BRACKET; TURBULATOR  |
| TRB00121        | 7                    | 3               | TURBULATOR; AND BRACKET ASSEMBLY   |
| PNL34610        | 8                    | 1               | PANEL; BARRIER, GAS HEAT   |
| GKT04773        | 9                    | 1               | GASKET; INSULATION; 0.625 X 0.125 INCH, FIBERGLASS REINFORCED PEEL OFF ADHESIVE BACKED |
| BAF01447        | 10                   | 8               | BAFFLE; EXHAUST  |
| SUP06228        | 11                   | 1               | SUPPORT; HX TUBE SUPPORT   |

REFRIGERATION

75011943

REV.  
A



This is a typical illustration. The unit in the field may not appear exactly as shown.

| Part No.    | Reference No. | Quantity | Description   |
|-------------|---------------|----------|---|
| GRM01027    | *             | 2        | GROMMET; COIL RETAINER  |
| COM12224    | 1             | 1        | COMPRESSOR; SCROLL; ALLIANCE; SXA051B7CPA; 4.25 TON; 575-60-3; R410-A; BRAZED; SUCTION 7/8; DISCHARGE 1/2 |
| CAP00072    | 2             | 1        | CAP; VALVE, SEAL, .25 FFL   |
| COR00006    | 2             | 1        | CORE; VALVE PORT, .79 LENGTH, .206-36 UNS 2A THD  |
| VAL01483    | 2             | 1        | VALVE; BODY, .44-20 THD X .25 ODS, STRAIGHT, BRASS, LESS CORE   |
| SWT03623    | 3             | 1        | SWITCH; LOW PRESSURE CUTOUT, 250 OPEN, ACTUATION PRESSURE 55 +/- 5, RESET PRESSURE 35 +/- 5               |
| THT03211    | 4             | 1        | THERMOSTAT; WITH CLAMP  |
| CAP00072    | 5             | 1        | CAP; VALVE, SEAL, .25 FFL   |
| COR00006    | 5             | 1        | CORE; VALVE PORT, .79 LENGTH, .206-36 UNS 2A THD  |
| VAL01483    | 5             | 1        | VALVE; BODY, .44-20 THD X .25 ODS, STRAIGHT, BRASS, LESS CORE   |
| COL28016    | 6             | 1        | COIL; ID MCHE   |
| GRM00104    | 8             | 1        | GROMMET; .52 ID X .05 GRV   |
| CLP00223    | 9             | 1        | CLIP; BULB  |
| VAL12843    | 9             | 1        | VALVE; TEV HXE 3 KX200 R410A  |
| CNT07725    | 10            | 1        | CONTROL; HIGH PRESSURE CUT-OFF W/LEADS  |
| CMP01384    | 11            | 2        | CLIP; COIL, MOUNTING  |
| PAD01507    | 14            | 1        | PAD; OD COIL, CURVED  |
| PAD01506    | 15            | 2        | PAD; OD COIL, STRAIGHT  |
| VAL01483    | 16            | 1        | VALVE; BODY, .44-20 THD X .25 ODS, STRAIGHT, BRASS, LESS CORE   |
| PLU01298    | 17            | 1        | PLUG; SCROLL COMPRESSOR   |
| DHY01511    | 18            | 1        | DRIER; FILTER, LIQUID LINE, 5/16 ODM INLET X 5/16 ODF OUTLET, 8 CU INCH                                   |
| GRM00888    | 19            | 4        | GROMMET; ISOLATOR, COMPRESSOR, .438 ID X .160 GRV, .750 DIA X 1.625 OD, BLACK NEOPRENE RUBBER             |
| NUT00355    | 19            | 4        | NUT; HEX, LOCK, 5/16IN.-18  |
| NUT00890    | 19            | 4        | NUT; PALLET, 5/16-18 UNC 2B THD.  |
| BAYCCHT011B | 20            | 1        | HEATER; ACCESSORY, CRANKCASE, 460/575V (BAYCCHT011BB)   |

|  |   |
|--|---|
| <p><b>MODEL NUMBER DESCRIPTION</b> <span style="float: right;">75011961</span> <span style="float: right; border: 1px solid black; padding: 2px;">RP<br/>A</span></p> <p>Foundation Cooling and Gas/Electric<br/>3-5 Tons</p>  |   |
| <p><i>Example Model Number:</i><br/> <b>EBC060A4ECA01G104A100000AB00000</b><br/> <small>1 - - - - 5 - - - - - 10 - - - - - 15 - - - - - 20 - - - - - 25 - - - - - 30 - - - - -</small></p>   |   |
| <p><b>Digit 1 – Unit Type</b><br/>                 E = Packaged Cooling, Electric Heat<br/>                 G = Packaged Cooling, Gas Heat</p> <p><b>Digit 2 – Efficiency</b><br/>                 B = ASHRAE 90.1 - 2016</p> <p><b>Digit 3 – Airflow Configuration</b><br/>                 C = Convertible</p> <p><b>Digits 4,5,6 – Nominal Gross Cooling Capacity (MBh)</b><br/>                 036 = 3 Tons<br/>                 048 = 4 Tons<br/>                 060 = 5 Tons</p> <p><b>Digit 7 – Major Design Sequence</b><br/>                 A</p> <p><b>Digit 8 – Voltage Selection (1,2)</b><br/>                 3 = 208-230/60/3<br/>                 4 = 460/60/3<br/>                 W = 575/60/3<br/>                 D = 380-415/50/3<br/>                 K = 380/60/3</p> <p><b>Digit 9 – Unit Controls</b><br/>                 E = Electromechanical</p> <p><b>Digit 10 – Heating Capacity</b><br/>                 0 = No Heat<br/>                 A = 5 kW Electric Heat<br/>                 B = 7.5 kW Electric Heat<br/>                 C = 10 kW Electric Heat<br/>                 D = 15 kW Electric Heat<br/>                 E = 20 kW Electric Heat<br/>                 F = 25 kW Electric Heat<br/>                 L = Gas Heat - Low<br/>                 M = Gas Heat - Medium<br/>                 X = Gas Heat, SS Ht Ex - Low<br/>                 M = Gas Heat, SS Ht Ex - Medium</p> <p><b>Digit 11 – Minor Design Sequence</b><br/>                 A = First Sequence</p> <p><b>Digits 12, 13 – Service Sequence</b><br/>                 ** = Factory Assigned</p> | <p><b>Digit 14 – Fresh Air Selection</b><br/>                 0 = No Fresh Air<br/>                 A = Manual Outside Air Damper 0-50%<br/>                 B = Motorized Outside Air Damper 0-50%<br/>                 C = Economizer, Dry Bulb 0-100% without Barometric Relief (3)<br/>                 E = Economizer, Reference Enthalpy 0-100% without Barometric Relief (3)<br/>                 G = Economizer, Comparative Enthalpy 0-100% without Barometric Relief (3)<br/>                 J = Downflow Low Leak Economizer, Dry Bulb without Barometric Relief (3)<br/>                 K = Downflow Low Leak Economizer, Dry Bulb with Barometric Relief (3)<br/>                 L = Downflow Low Leak Economizer, Reference Enthalpy without Barometric Relief (3)<br/>                 M = Downflow Low Leak Economizer, Reference Enthalpy with Barometric Relief (3)<br/>                 N = Downflow Low Leak Economizer, (3) Comparative Enthalpy w/o Barometric Relief<br/>                 P = Downflow Low Leak Economizer, (3) Comparative Enthalpy with Barometric Relief</p> <p><b>Digits 15 – Supply Fan/Drive Type/Motor</b><br/>                 0 = Standard Motor<br/>                 1 = Oversized Motor</p> <p><b>Digit 16 – Not Used</b></p> <p><b>Digit 17 – Condenser Coil Protection</b><br/>                 0 = Standard Coil<br/>                 4 = CompleteCoat Condenser Coil</p> <p><b>Digit 18 – Through the Base Provisions</b><br/>                 0 = No Through the Base Provisions<br/>                 A = Through the Base Electric<br/>                 B = Through the Base Gas Piping (4,5)<br/>                 C = Through the Base Electric and Gas Piping (4,5)</p> <p><b>Digit 19 – Disconnect Switch</b><br/>                 0 = No Disconnect<br/>                 1 = Unit Mounted Non-Fused Disconnect (6)</p> <p><b>Digit 20 – Not Used</b></p> |
| <p>1 of 2</p>  |   |

MODEL NUMBER DESCRIPTION

75011962

REV.  
A

Foundation Cooling and Gas/Electric  
3-5 Tons

*Example Model Number:*

**GBC060A4EMA01G104C100000AB00000**  
1 - - - 5 - - - 10 - - - 15 - - - 20 - - - 25 - - - 30 -

**Digit 21 – Not Used**

**Digit 22 – Not Used**

**Digit 23 – Not Used**

**Digit 24 – Not Used**

**Digit 25 – System Monitoring Controls**

- 0 = No Monitoring Controls
- A = Condensate Drain Pan Overflow Switch

**Digit 26 – System Monitoring Controls**

- 0 = No Economizer Fault Detection and Diagnostics (FDD)
- B = Economizer Fault Detection and Diagnostics (FDD) (7)

**Model Number Notes**

1. Available on Digit 1=E units only.
2. For 8=K, Unit will operate reliably at 400V.
3. Factory installed economizers only available in downflow configuration.
4. Some field set up required.
5. Applicable to Digit 1, G models only.
6. Must be ordered with Through the Base Electrical option.
7. Fault Detection and Diagnostics (FDD) is available on Low Leak Economizers only.

Parts List Number :GBCUP1

Model Number :GBC060AWEMB0001

| Part No.       | Reference No. | Quantity | Description   |
|----------------|---------------|----------|---|
| BAYBARO320A    | *             | 1        | KIT, BAROMETRIC RELIEF  |
| BAYBARO321A    | *             | 1        | KIT, BAROMETRIC RELIEF, LLE W/FDD   |
| BAYCCHT011B    | *             | 1        | HEATER; ACCESSORY, CRANKCASE, 460/575V (BAYCCHT011BB)                       |
| BAYCO2K300A    | *             | 1        | KIT; CO2  |
| BAYCO2K301A    | *             | 1        | KIT;CO2   |
| BAYCOSW320A    | *             | 1        | KIT; DRAIN PAN OVERFLOW SWITCH  |
| BAYCURB320A    | *             | 1        | ASSEMBLY; ROOF CURB, 3-5 TON, SMALL FOUNDATION                              |
| BAYDMPR320A    | *             | 1        | KIT, MOTORIZED DAMPER   |
| BAYDMPR321A    | *             | 1        | KIT, MANUAL DAMPER  |
| BAYDSCF320A    | *             | 1        | UNIT MOUNTED DISCONNECT- COOLING ONLY, 100 AMP                              |
| BAYDSCF321A    | *             | 1        | UNIT MOUNTED DISCONNECT- ELECTRIC HEAT, 100 AMP                             |
| BAYECON320A    | *             | 1        | KIT, ECONOMIZER, DRY BULB   |
| BAYECON353A    | *             | 1        | ACCESSORY; LOW LEAK ECONOMIZER, DRY BULB, DOWNFLOW W/FDD                    |
| BAYECON354A    | *             | 1        | ACCESSORY; LOW LEAK ECONOMIZER, DRY BULB, HORIZONTAL W/FDD                  |
| BAYENTH320A    | *             | 1        | KIT, REFERENCE ENTHALPY ECONOMIZER  |
| BAYENTH321A    | *             | 1        | KIT, COMPARATIVE ENTHALPY ECONOMIZER  |
| BAYENTH322A    | *             | 1        | KIT, REFERENCE ENTHALPY   |
| BAYENTH323A    | *             | 1        | KIT, COMPARATIVE ENTHALPY, LLE W/FDD  |
| BAYGARD320A    | *             | 1        | TOOL-LESS HAIL GUARD  |
| BAYHSMT322A    | *             | 1        | 2 HP OVERSIZE MOTOR KIT (575V)  |
| BAYLOAM330A    | *             | 1        | KIT, FROSTAT  |
| BAYLOAM340A    | *             | 1        | LOW AMBIENT KIT   |
| BAYLPKT320A    | *             | 1        | ACCESSORY; PROPANE CONVERSION KIT   |
| BAYPWRX322A    | *             | 1        | KIT, POWER EXHAUST, 3-5T DF, 575V   |
| BAYSTAT300A    | *             | 1        | ACCESSORY; BACNET THERMOSTAT  |
| BAYTBGF320A    | *             | 1        | ACCESSORY; THROUGH THE BASE GAS CONNECTION                                  |
| BAYTBUE320A    | *             | 1        | THROUGH THE BASE - ELEC.  |
| TCONT402AN32DA | *             | 1        | THERMOSTAT; 3 HEAT (GAS/ELEC), 2 COOL/HEAT PUMP DUAL FUEL (TCONT402AN32DAA) |
| TCONT802AS32DA | *             | 1        | THERMOSTAT; PROGRAMMABLE 7-DAY, 3 HEAT/2 COOL (TCONT802AS32DAA)             |
| TMR00140       | *             | 1        | TIMER; ANTISHORT CYCLE (BAYASCT001)   |