

TABLE OF CONTENTS

75010402

REV
A

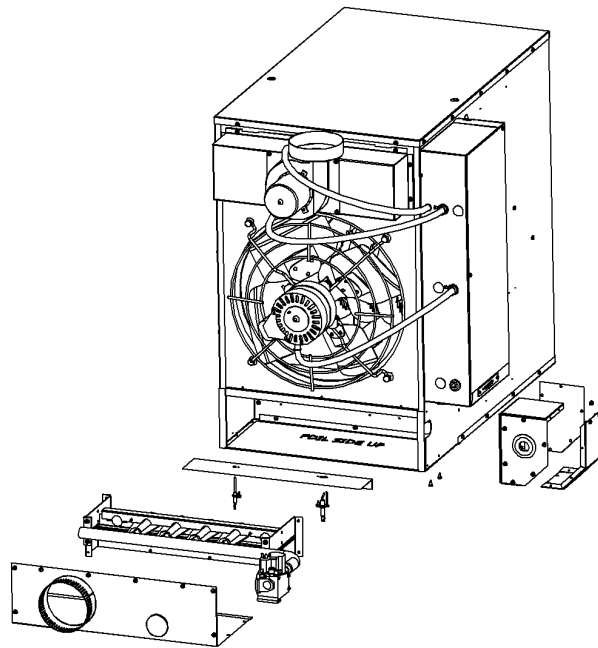


TABLE OF CONTENTS

SECTION 01	MODEL NOMENCLATURE
SECTION 02	HEAT EXCHANGER/BLOWER ASSEMBLY, FLU COLLECTOR, POWER VENTER & TURBULATORS
SECTION 03	MANIFOLD BURNER ASSEMBLY
SECTION 04	ELECTRICAL CONTROL BOX
SECTION 05	PANELS & LOUVERS
SECTION 06	GAS CONTROL PARTS
SECTION 07	FACTORY & FIELD INSTALLED OPTIONS, KITS & ADDITIONAL MISCELLANEOUS PARTS

Part No.	Reference No.	Quantity	Description
75010405#GANEUP1~S	*		ELECTRICAL CONTROL BOX
75010406#GANEUP1~S	*		FACTORY/FIELD INSTALLED OPTIONS, KITS & ADDITIONAL MISCELLANEOUS PARTS
GANE1000#GANEUP1~S	*		GAS CONTROL PARTS
75010407#GANEUP1~S	*		HEAT EXCHANGER/BLOWER ASSEMBLY/FLU COLLECTOR/POWER VENTER & TURBULATORS
75010404#GANEUP1~S	*		MANIFOLD BURNER ASSEMBLY
75010347#GANEUP1~S	*		MODEL NUMBER DESCRIPTION
75010403#GANEUP1~S	*		PANELS AND LOUVERS
75010402_GANEUP1_154028~P	*		TABLE OF CONTENTS PARTS LIST

TABLE OF CONTENTS

75010402

REV
A

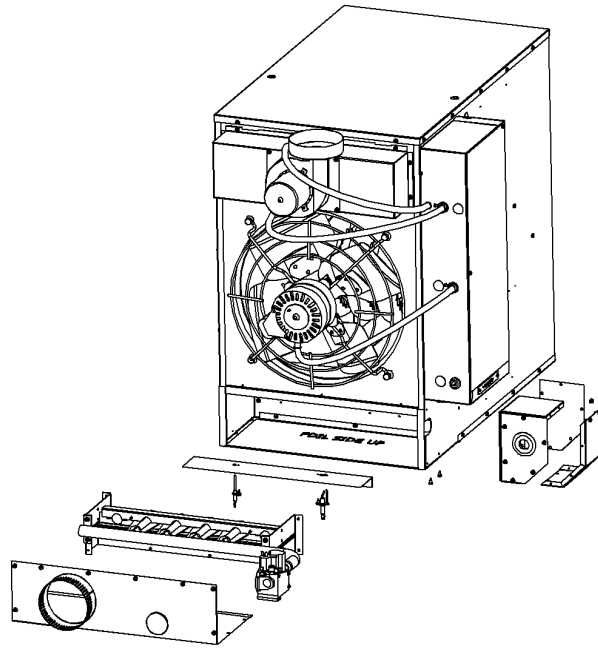


TABLE OF CONTENTS

SECTION 01	MODEL NOMENCLATURE
SECTION 02	HEAT EXCHANGER/BLOWER ASSEMBLY, FLU COLLECTOR, POWER VENTER & TURBULATORS
SECTION 03	MANIFOLD BURNER ASSEMBLY
SECTION 04	ELECTRICAL CONTROL BOX
SECTION 05	PANELS & LOUVERS
SECTION 06	GAS CONTROL PARTS
SECTION 07	FACTORY & FIELD INSTALLED OPTIONS, KITS & ADDITIONAL MISCELLANEOUS PARTS

MODEL NUMBER DESCRIPTION											75010347		REV A		
GANE, GAPE G A N E 0 3 0 A T A 1 0 0 0 E J															
MODEL NUMBER EXAMPLE															
G	A	N	E	0	3	0	A	T	A	1	0	0	0	F	J
1	2	3	4	5	6	7	8	9	10	11	12	13	14	15-28	
DIGIT 1 - GAS HEATING EQUIPMENT G = Gas Heating							DIGIT 10 = DESIGN SEQUENCE A = First Design								
DIGIT 2 - UNIT TYPE A = Separated Combustion Propeller Fan Unit Heater S = Special							DIGIT 11 = HEAT EXCHANGER MATERIAL 1 = Standard Aluminized Steel 2 = #409 Stainless Steel								
DIGIT 3 = FUEL TYPE N = Natural P = LP Gas (Propane)							DIGIT 12 = ROOFTOP ARRANGEMENTS 0 = None (Indoor Unit) S = Special								
DIGIT 4 = DEVELOPMENT SEQUENCE E = Fifth Generation							DIGIT 13 = ROOFTOP HEATING UNIT MOTOR SELECTION 0 = None (Indoor Unit) S = Special								
DIGIT 5,6,7 = INPUT CAPACITY 010 = 100 MBh 012 = 125 MBh 015 = 150 MBh 017 = 170 MBh 020 = 200 MBh 025 = 250 MBh 030 = 300 MBh 035 = 350 MBh 040 = 400 MBh							DIGIT 14 = ROOFTOP FAN SECTION 0 = None S = Special								
DIGIT 8 = MAIN POWER SUPPLY A = 115/60/1 F = 575/60/3 B = 230/60/1 G = 208/60/1 C = 208/60/3 S = Special D = 230/60/3 E = 460/60/3							DIGIT 15-30 = MISCELLANEOUS 0 = None A = #409 Stainless Steel Burners B = Orifices For Elevation Above 5000 Ft C = #409 Stainless Steel Flue Collector D = Summer-Winter Switch E = Vertical Louvers J = Totally Enclosed Motor 7 = OSHA Fan Guard								
DIGIT 9 = GAS CONTROL OPTION H = Electronic Modulating With Room Stat, L = Electronic Modulating With Ext. 4-20mA Input N = Electronic Modulating With Ext. 0-10VDC Input T = Single Stage, Direct Spark Ignition V = Two Stage, Direct Spark Ignition S = Special															

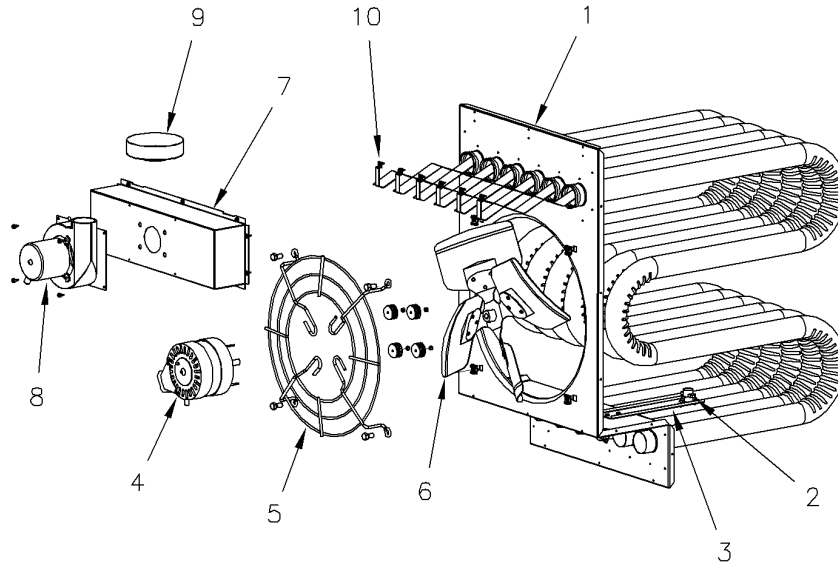
Part No.	Reference No.	Quantity	Description
75010347_GANEUP1_154029~P	*		MODEL NUMBER DESCRIPTION PARTS LIST

MODEL NUMBER DESCRIPTION		75010347	REV A
GANE, GAPE			
G A N E 0 3 0 A T A 1 0 0 0 E J			
MODEL NUMBER EXAMPLE			
G A N E 0 3 0 A T A 1 0 0 0 F J			
1 2 3 4 5 6 7 8 9 10 11 12 13 14 15-28			
DIGIT 1 - GAS HEATING EQUIPMENT		DIGIT 10 = DESIGN SEQUENCE	
G = Gas Heating		A = First Design	
DIGIT 2 - UNIT TYPE		DIGIT 11 = HEAT EXCHANGER MATERIAL	
A = Separated Combustion Propeller Fan Unit Heater		1 = Standard Aluminized Steel	
S = Special		2 = #409 Stainless Steel	
DIGIT 3 = FUEL TYPE		DIGIT 12 = ROOFTOP ARRANGEMENTS	
N = Natural		0 = None (Indoor Unit)	
P = LP Gas (Propane)		S = Special	
DIGIT 4 = DEVELOPMENT SEQUENCE		DIGIT 13 = ROOFTOP HEATING UNIT MOTOR SELECTION	
E = Fifth Generation		0 = None (Indoor Unit)	
DIGIT 5,6,7 = INPUT CAPACITY		S = Special	
010 = 100 MBh		DIGIT 14 = ROOFTOP FAN SECTION	
012 = 125 MBh		0 = None	
015 = 150 MBh		S = Special	
017 = 170 MBh		DIGIT 15-30 = MISCELLANEOUS	
020 = 200 MBh		0 = None	
025 = 250 MBh		A = #409 Stainless Steel Burners	
030 = 300 MBh		B = Orifices For Elevation Above 5000 Ft	
035 = 350 MBh		C = #409 Stainless Steel Flue Collector	
040 = 400 MBh		D = Summer-Winter Switch	
DIGIT 8 = MAIN POWER SUPPLY		E = Vertical Louvers	
A = 115/60/1		J = Totally Enclosed Motor	
B = 230/60/1		7 = OSHA Fan Guard	
C = 208/60/3			
D = 230/60/3			
E = 460/60/3			
DIGIT 9 = GAS CONTROL OPTION			
H = Electronic Modulating With Room Stat,			
L = Electronic Modulating With Ext. 4-20mA Input			
N = Electronic Modulating With Ext. 0-10VDC Input			
T = Single Stage, Direct Spark Ignition			
V = Two Stage, Direct Spark Ignition			
S = Special			

HEAT EXCHANGER/BLOWER ASSY
FLU COLLECTOR, POWER VENTER &
TURBULATORS

75010407

REV
A



* NOT ILLUSTRATED
TYPICAL ILLUSTRATION

Parts List Number :75010402#GANEUP1

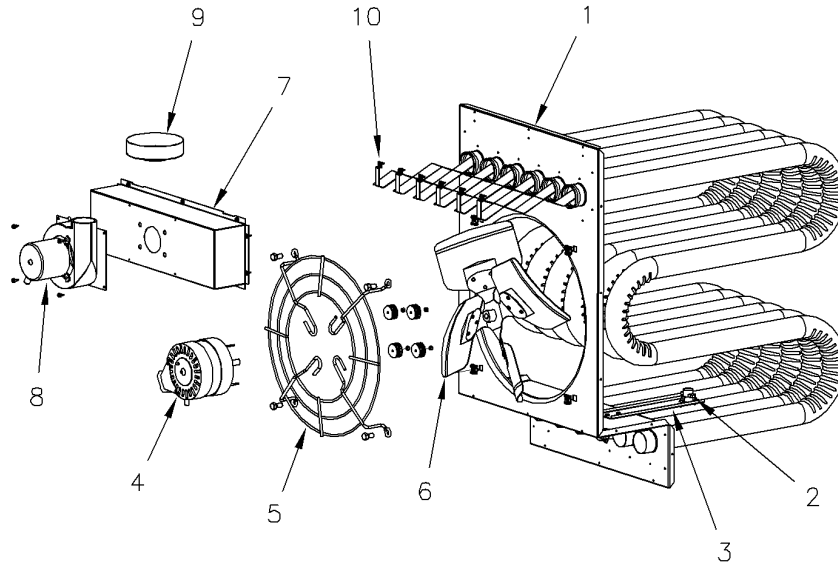
Model Number :GANE020ATA10000

Part No.	Reference No.	Quantity	Description
75010407_GANEUP1_251436~P	*		HEAT EXCHANGER/BLOWER ASSEMBLY/FLU COLLECTOR/POWER VENTER & TURBULATORS PARTS LIST

HEAT EXCHANGER/BLOWER ASSY
FLU COLLECTOR, POWER VENTER &
TURBULATORS

75010407

REV
A



* NOT ILLUSTRATED
TYPICAL ILLUSTRATION

Parts List Number :75010402#GANEUP1

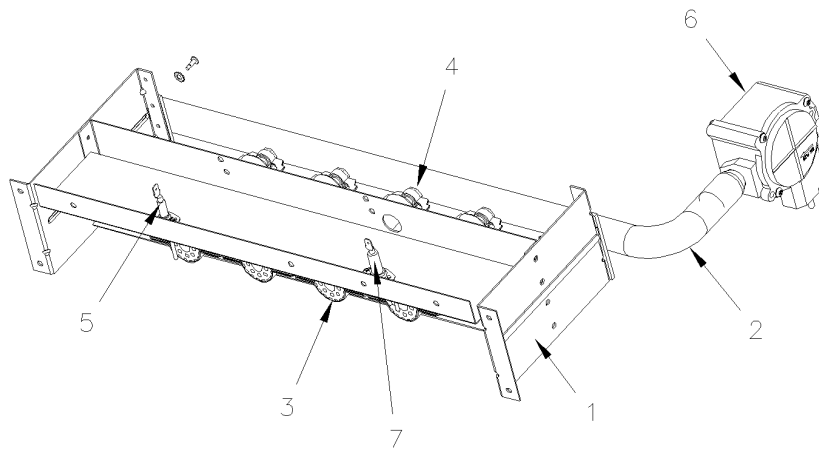
Model Number :GANE020ATA10000

Part No.	Reference No.	Quantity	Description
KIT16766	*	1	KIT; FAN/GUARD/MOTOR MOUNT HARDWARE KIT [QTY. REQ'D PER CAPACITY]
EXC01400	1	1	EXCHANGER; HEAT W/VESTIBULE PANEL, ALUMINUM
SWT01036	2	1	SWITCH; AUXILARY CONTROL, HIGH LIMIT, 60T23-203675, F170-40, OPENS 130F, CLOSES 170F
BRK02536	3	1	BRACKET; HIGH LIMIT
MOT07943	4	1	MOTOR; BLOWER W/CAPACITOR, 1/3 HP, 5.8 AMP, 120/60, OPEN DRIP PROOF
GRD00434	5	1	GUARD; FAN, FOR-PROPELLER & MOTOR, PAINT-GREY, P-7/10 & 14/16-1874 SAME AS GRD0311 EXCEPT PAINT COLOR GREY
FAN04813	6	1	FAN; BLADE
FLU00221	7	1	FLUE; COLLECTOR BOX 200 TUBULAR
BLW00660	8	1	BLOWER; ASM., COMBUSTION AIR, W/MOTOR 115/60, 1.8A,
ADP00491	9	1	ADAPTER; ASM., FLUE COLLAR
TRB00229	10	1	TURBULATOR;

MANIFOLD BURNER ASSEMBLY
GA

75010404

REV
A



TYPICAL ILLUSTRATION
* NOT ILLUSTRATED

Part No.	Reference No.	Quantity	Description
75010404_GANEUP1_251434~P	*		MANIFOLD BURNER ASSEMBLY PARTS LIST

Parts List Number :75010402#GANEUP1

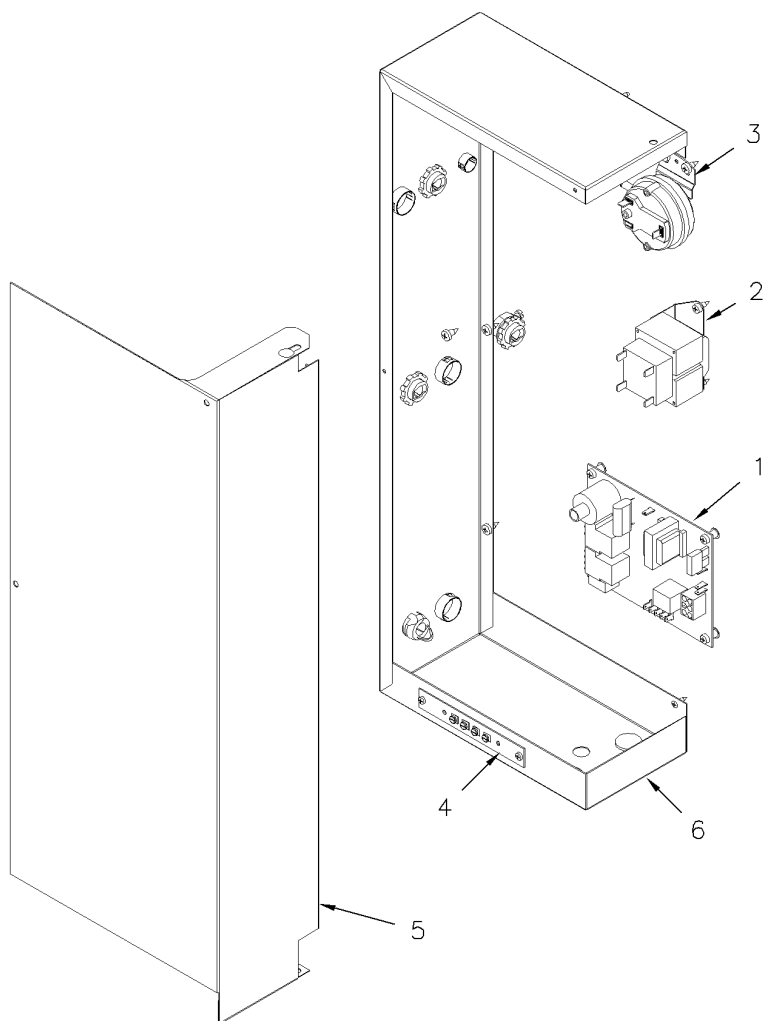
Model Number :GANE020ATA10000

Part No.	Reference No.	Quantity	Description
BRK04427	1	1	BRACKET; MANIFOLD BRACKET SUB-ASSY
MFD00844	2	1	MANIFOLD;
BNR01034	3	1	BURNER;
ORF01748	4	1	ORIFICE; STANDARD ORIFICE, (NATURAL GAS)
SEN02145	5	1	SENSOR; FLAME SENSOR, DS, 1.500"
VAL08914	6	1	VALVE; SINGLE STAGE NATURAL GAS
CNT05013	7	1	CONTROL; SPARK IGNITOR

ELECTRICAL CONTROL BOX
GA

75010405

REV
A



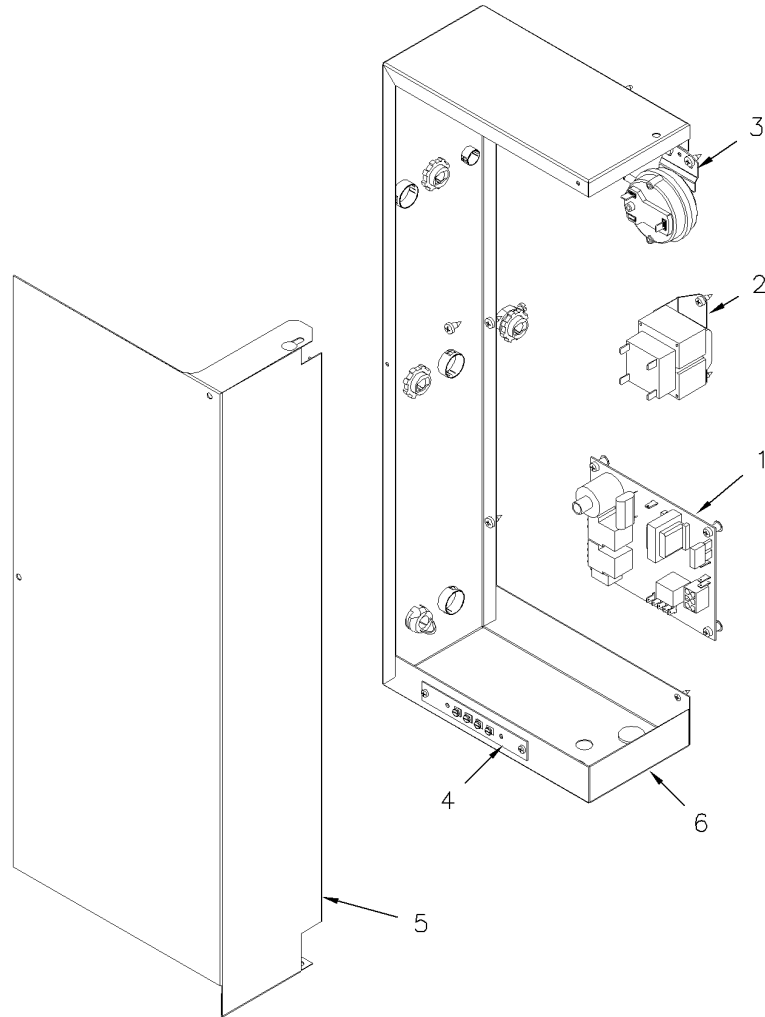
* TYPICAL ILLUSTRATION

Part No.	Reference No.	Quantity	Description
75010405_GANEUP1_251435~P	*		ELECTRICAL CONTROL BOX PARTS LIST

ELECTRICAL CONTROL BOX
GA

75010405

REV
A



* TYPICAL ILLUSTRATION

Parts List Number :75010402#GANEUP1

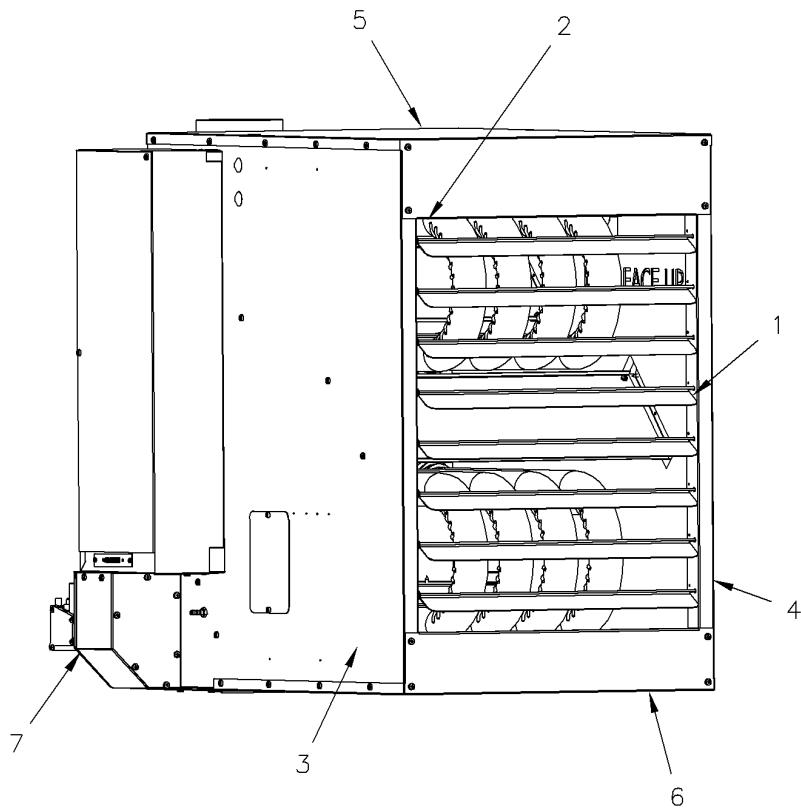
Model Number :GANE020ATA10000

Part No.	Reference No.	Quantity	Description
BRD03396	1	1	BOARD; CONTROL
TRR01251	2	1	TRANSFORMER; 50VA, 120V PRI., 24V SEC
SWT03800	3	1	SWITCH; AIR PRESSURE, STD ALT (0-4,999 FT)
PLT05204	4	1	PLATE; TERMINAL BLOCK
COV04757	5	1	COVER; ELECTRICAL CONTROL BOX
CAS02027	6	1	CASING; ELECTRICAL CONTROL BOX BASE (WRAPPER)

PANELS & LOUVERS

75010403

REV
A



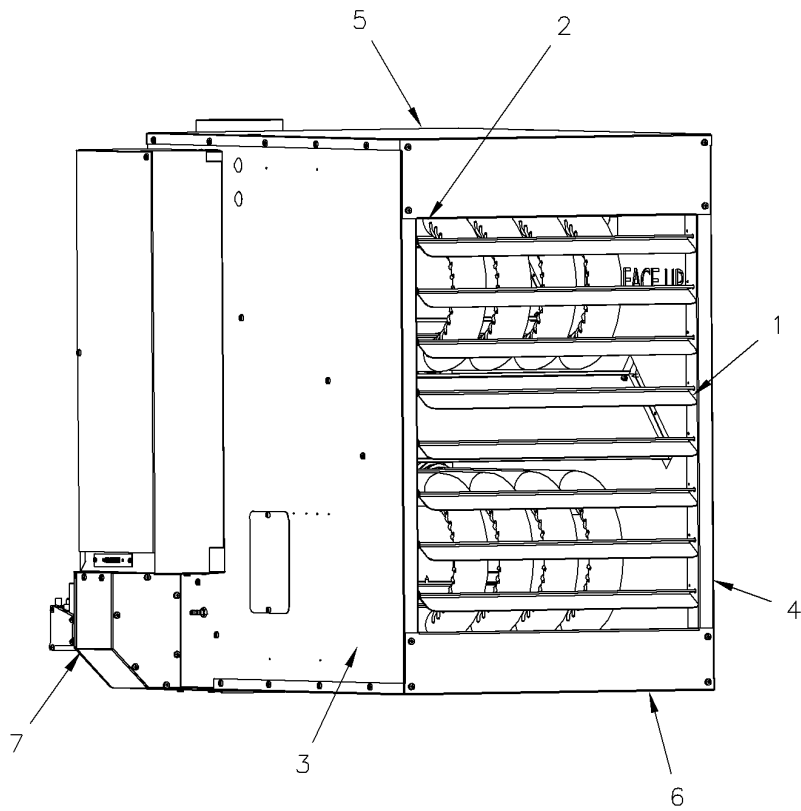
TYPICAL ILLUSTRATION
* NOT ILLUSTRATED

Part No.	Reference No.	Quantity	Description
75010403_GANEUP1_251433~P	*		PANELS AND LOUVERS PARTS LIST

PANELS & LOUVERS

75010403

REV
A



TYPICAL ILLUSTRATION
* NOT ILLUSTRATED

Part No.	Reference No.	Quantity	Description
CAB01185	*	1	CABLE; IGNITION-36 IN. LONG
CON01299	*	1	CONNECTOR; MOLEX ASSY(LEADS 19 IN LONG)
TUB13641	*	1	TUBING; VINYL, (PRESSURE SWITCH)
LVR00110	1	8	LOUVER;
SPG00194	2	8	SPRING; CONE, ADJUSTABLE LOUVERS FOR HORZ. AND VERT.(ORDER QTY EQUALS PIECES)
PNL30477	3	1	PANEL; RIGHT SIDE JACKET, W/ INSULATION
PNL30476	4	1	PANEL; LEFT SIDE JACKET, W/ INSULATION
PNL30474	5	1	PANEL; TOP JACKET, W/ INSULATION
PNL30479	6	1	PANEL; ASSY, BOTTOM JACKET PANEL W/ INSULATION & BURNER COVER
PLT05202	7	1	PLATE; SEPARATED COMBUSTION CHAMBER

Part No.	Reference No.	Quantity	Description
GANE1000_GANEUP1_251437~ P	*		GAS CONTROL PARTS

NO GRAPHIC AVAILABLE

75013702

REV
A

**NO
GRAPHIC
AVAILABLE**

Parts List Number :75010402#GANEUP1

Model Number :GANE020ATA10000

Part No.	Reference No.	Quantity	Description
TRR02276	*	1	TRANSFORMER; 4000-01E07
VAL02329	*	1	VALVE;MAXITROL SYSTEM MR, 510, 3/4 NATURAL GAS

Parts List Number :75010402#GANEUP1

Model Number :GANE020ATA10000

		75010406	
Balloon #:	CONVERSION KITS	Mne #:	GANE Models:
	DESCRIPTION		PART NUMBER
1	CONVERTING FROM NAT. GAS TO LP GAS	KIT14778	261R06951
2	CONVERTING FROM LP GAS TO NAT. GAS	KIT14779	261R06952
TRANSFORMERS			
	DESCRIPTION		PART NUMBER
3	115/24, 50VA TRANSFORMER	TRR01505	J14R03245-001
4	208/24, 50VA TRANSFORMER	TRR01740	J14R03245-010
4	230/24, 50VA TRANSFORMER	TRR01740	J14R03245-010
5	208/115, 500VA TRANSFORMER	TRR01840	J14R05241-001
6	230/115, 500VA TRANSFORMER	TRR00923	J14R02832-002
6	460/115, 500VA TRANSFORMER	TRR00923	J14R02832-002
7	575/115, 500VA TRANSFORMER	TRR00924	J14R02832-006
FIELD INSTALLED OPTIONS AND THERMOSTATS			
	DESCRIPTION [STERLING ACCESSORY OPTION NO.]		PART NUMBER
8	PRESSURE REGULATOR (0.5 to 10 PSI) NATURAL GAS [A7-1/2-1]	REG00599	11ASRA7-1/2-1
9	PRESSURE REGULATOR (10 to 20 PSI) NATURAL GAS [A7-3/8-1]	REG00600	11ASRA7-3/8-1
10	PRESSURE REGULATOR (20 to 35 PSI) NATURAL GAS [A7-5/16-1]	REG00601	11ASRA7-5/16-1
11	T87K 1-STAGE THERMOSTAT, WITH SUBBASE [G1] *	THT03087	ASRG1
12	T834N 1-STAGE W/ FAN SWITCH THERMOSTAT (STERLING LOGO) [G3] *	THT03088	ASRG3
13	TH5220D 2-STAGE THERMOSTAT, WITH SUBBASE [G5] *	THT02244	ASRG5
14	T6169C 1-STAGE LINE VOLTAGE (115V) THERMOSTAT, WITH SUBBASE [G8]	THT02339	J13R03362
15	T822K 1-STAGE THERMOSTAT [G9] *	THT03089	J13R08431
16	TG511A UNIVERSAL THERMOSTAT GUARD/LOCKING COVER [G6]	GRD00334	J13R00954
17	24V SPST RELAY [P5]	RLY00871	J10R00818-003
18	LOW AMBIENT CONTROL [H5]	CNT07136	ASRH5
19	VENT CAP 5" (100-250) [M2-2]	CAPO0549	J37R02222-002
20	VENT CAP 6" (300-400) [M2-3]	CAPO0550	J37R02222-003
21	2-TO-4 POINT SUSPENSION KIT [M7-TUB]	KIT16767	ASRM7-TUB
22	30 DEGREE NOZZLE KIT (100-150) [X2-001]	KIT15040	ASRX2-001
23	30 DEGREE NOZZLE KIT (175-250) [X2-002]	KIT15049	ASRX2-002
24	30 DEGREE NOZZLE KIT (300-400) [X2-003]	KIT15050	ASRX2-003
25	60 DEGREE NOZZLE KIT (100-150) [X3-001]	KIT15051	ASRX3-001
26	60 DEGREE NOZZLE KIT (175-250) [X3-002]	KIT15052	ASRX3-002
27	60 DEGREE NOZZLE KIT (300-400) [X3-003]	KIT14715	ASRX3-003
28	90 DEGREE NOZZLE KIT (100-150) [X4-001]	KIT15034	ASRX4-001
29	90 DEGREE NOZZLE KIT (175-250) [X4-002]	KIT07654	ASRX4-002
30	90 DEGREE NOZZLE KIT (300-400) [X4-003]	KIT14716	ASRX4-003
31	VERTICAL LOUVER KIT (SF 100-150) [X5-104]	KIT16218	ASRX5-104
32	VERTICAL LOUVER KIT (SF 175-250) [X5-107]	KIT16768	ASRX5-107
33	VERTICAL LOUVER KIT (SF 300-400) [X5-112]	KIT16769	ASRX5-112
34	HORIZONTAL COMBUSTION AIR INLET KIT, 5 INCH (SF 100-250) [X7-H5]	KIT16773	ASRX7-H5
35	HORIZONTAL COMBUSTION AIR INLET KIT, 6 INCH (SF 300-400) [X7-H6]	KIT16774	ASRX7-H6
36	VERTICAL COMBUSTION AIR INLET KIT, 5 INCH (SF 100-250) [X7-V5]	KIT16775	ASRX7-V5
37	VERTICAL COMBUSTION AIR INLET KIT, 6 INCH (SF 300-400) [X7-V6]	KIT16776	ASRX7-V6
	* Mercury Free		
FACTORY INSTALLED OPTIONS			
	DESCRIPTION [STERLING ACCESSORY OPTION NO.]		PART NUMBER
38	SUMMER/WINTER SWITCH [P6]	SWT00479	J11R00544
MISC			
	DESCRIPTION		PART NUMBER
39	TOUCH UP PAINT, 12oz. SPRAY CAN (DARK GRAY)	PAI00087	512R01395-001
	HIGH TEMP (RTV) SEALANT - 2.8oz. TUBE		H03R03612-002

Parts List Number :75010402#GANEUP1

Model Number :GANE020ATA10000

Part No.	Reference No.	Quantity	Description
75010406_GANEUP1_222972~P	*		FACTORY/FIELD INSTALLED OPTIONS, KITS & ADDITIONAL MISCELLANEOUS PARTS

Parts List Number :75010402#GANEUP1

Model Number :GANE020ATA10000

		75010406	
Balloon #:	CONVERSION KITS	Mne #:	GANE Models:
	DESCRIPTION		PART NUMBER
1	CONVERTING FROM NAT. GAS TO LP GAS	KIT14778	261R06951
2	CONVERTING FROM LP GAS TO NAT. GAS	KIT14779	261R06952
TRANSFORMERS			
	DESCRIPTION		PART NUMBER
3	115/24, 50VA TRANSFORMER	TRR01505	J14R03245-001
4	208/24, 50VA TRANSFORMER	TRR01740	J14R03245-010
4	230/24, 50VA TRANSFORMER	TRR01740	J14R03245-010
5	208/115, 500VA TRANSFORMER	TRR01840	J14R05241-001
6	230/115, 500VA TRANSFORMER	TRR00923	J14R02832-002
6	460/115, 500VA TRANSFORMER	TRR00923	J14R02832-002
7	575/115, 500VA TRANSFORMER	TRR00924	J14R02832-006
FIELD INSTALLED OPTIONS AND THERMOSTATS			
	DESCRIPTION [STERLING ACCESSORY OPTION NO.]		PART NUMBER
8	PRESSURE REGULATOR (0.5 to 10 PSI) NATURAL GAS [A7-1/2-1]	REG00599	11ASRA7-1/2-1
9	PRESSURE REGULATOR (10 to 20 PSI) NATURAL GAS [A7-3/8-1]	REG00600	11ASRA7-3/8-1
10	PRESSURE REGULATOR (20 to 35 PSI) NATURAL GAS [A7-5/16-1]	REG00601	11ASRA7-5/16-1
11	T87K 1-STAGE THERMOSTAT, WITH SUBBASE [G1] *	THT03087	ASRG1
12	T834N 1-STAGE W/ FAN SWITCH THERMOSTAT (STERLING LOGO) [G3] *	THT03088	ASRG3
13	TH5220D 2-STAGE THERMOSTAT, WITH SUBBASE [G5] *	THT02244	ASRG5
14	T6169C 1-STAGE LINE VOLTAGE (115V) THERMOSTAT, WITH SUBBASE [G8]	THT02339	J13R03362
15	T822K 1-STAGE THERMOSTAT [G9] *	THT03089	J13R08431
16	TG511A UNIVERSAL THERMOSTAT GUARD/LOCKING COVER [G6]	GRD00334	J13R00954
17	24V SPST RELAY [P5]	RLY00871	J10R00818-003
18	LOW AMBIENT CONTROL [H5]	CNT07136	ASRH5
19	VENT CAP 5" (100-250) [M2-2]	CAPO0549	J37R02222-002
20	VENT CAP 6" (300-400) [M2-3]	CAPO0550	J37R02222-003
21	2-TO-4 POINT SUSPENSION KIT [M7-TUB]	KIT16767	ASRM7-TUB
22	30 DEGREE NOZZLE KIT (100-150) [X2-001]	KIT15040	ASRX2-001
23	30 DEGREE NOZZLE KIT (175-250) [X2-002]	KIT15049	ASRX2-002
24	30 DEGREE NOZZLE KIT (300-400) [X2-003]	KIT15050	ASRX2-003
25	60 DEGREE NOZZLE KIT (100-150) [X3-001]	KIT15051	ASRX3-001
26	60 DEGREE NOZZLE KIT (175-250) [X3-002]	KIT15052	ASRX3-002
27	60 DEGREE NOZZLE KIT (300-400) [X3-003]	KIT14715	ASRX3-003
28	90 DEGREE NOZZLE KIT (100-150) [X4-001]	KIT15034	ASRX4-001
29	90 DEGREE NOZZLE KIT (175-250) [X4-002]	KIT07654	ASRX4-002
30	90 DEGREE NOZZLE KIT (300-400) [X4-003]	KIT14716	ASRX4-003
31	VERTICAL LOUVER KIT (SF 100-150) [X5-104]	KIT16218	ASRX5-104
32	VERTICAL LOUVER KIT (SF 175-250) [X5-107]	KIT16768	ASRX5-107
33	VERTICAL LOUVER KIT (SF 300-400) [X5-112]	KIT16769	ASRX5-112
34	HORIZONTAL COMBUSTION AIR INLET KIT, 5 INCH (SF 100-250) [X7-H5]	KIT16773	ASRX7-H5
35	HORIZONTAL COMBUSTION AIR INLET KIT, 6 INCH (SF 300-400) [X7-H6]	KIT16774	ASRX7-H6
36	VERTICAL COMBUSTION AIR INLET KIT, 5 INCH (SF 100-250) [X7-V5]	KIT16775	ASRX7-V5
37	VERTICAL COMBUSTION AIR INLET KIT, 6 INCH (SF 300-400) [X7-V6]	KIT16776	ASRX7-V6
	* Mercury Free		
FACTORY INSTALLED OPTIONS			
	DESCRIPTION [STERLING ACCESSORY OPTION NO.]		PART NUMBER
38	SUMMER/WINTER SWITCH [P6]	SWT00479	J11R00544
MISC			
	DESCRIPTION		PART NUMBER
39	TOUCH UP PAINT, 12oz. SPRAY CAN (DARK GRAY)	PAI00087	512R01395-001
	HIGH TEMP (RTV) SEALANT - 2.8oz. TUBE		H03R03612-002

Parts List Number :75010402#GANEUP1

Model Number :GANE020ATA10000

Part No.	Reference No.	Quantity	Description
KIT14778	1	1	KIT; FROM NATURAL GAS(NG) TO PROPANE(LP)
KIT14779	2	1	KIT; FROM PROPANE(LP) TO NATURAL GAS(NG)
TRR01505	3	1	TRANSFORMER; 50VA, 120V PRI., 24V SEC., FOOT MOUNTED, CLASS 2
TRR01740	4	1	TRANSFORMER; 230-24V, 50VA, 2A
TRR01840	5	1	TRANSFORMER; 208/115, 500VA (STEP DOWN)
TRR00923	6	1	TRANSFORMER; 500VA, 240-480/120-240V
TRR00924	7	1	TRANSFORMER; 500VA, 600/120-240V
REG00599	8	1	REGULATOR; PRESSURE, (0.5 TO 10 PSI) NATURAL GAS [A7-1/2-1]
REG00600	9	1	REGULATOR; PRESSURE, (10 TO 20 PSI) NATURAL GAS [A7-3/8-1]
REG00601	10	1	REGULATOR; PRESSURE, (20 TO 35 PSI) NATURAL GAS [A7-5/16-1]
THT03087	11	1	T87K 1-STAGE THERMOSTAT, WITH SUBBASE [G1] *
THT03088	12	1	T834N 1-STAGE W/ FAN SWITCH THERMOSTAT (STERLING LOGO) [G3] *
THT02244	13	1	THERMOSTAT; TWO-STAGE ROOM
THT02339	14	1	THERMOSTAT; LIGHT DUTY COMBINATION THERMOSTAT AND SUBBASE,
THT03089	15	1	T822K 1-STAGE THERMOSTAT [G9] *
GRD00334	16	1	GUARD; THERMOSTAT (LOCKING COVER)
RLY00871	17	1	RELAY; SPST, 24 VAC COIL
CNT07136	18	1	LOW AMBIENT CONTROL H5
CAP00549	19	1	CAP; 5 INCH VENT
CAP00550	20	1	CAP; VENT 6 INCH
KIT16767	21	1	2-TO-4 POINT SUSPENSION KIT [M7-TUB]
KIT15040	22	1	NOZZLE; 30 DEGREE DOWNWARD NOZZLE KIT FOR 100 AND 150 MBH MODELS GH,GA,GB AND GK ONLY TUBULAR GAS UNIT HEATERS
KIT15049	23	1	NOZZLE; 30 DEGREE DOWNWARD NOZZLE FOR 175 AND 250 MBH GH, GA, GB AND GK ONLY TUBULAR GAS UNIT HEATERS
KIT15050	24	1	NOZZLE ;30 DEGREE DOWNWARD NOZZLE FOR 300-400 MBH GH, GA, GB AND GK ONLY TUBULAR GAS UNIT HEATER
KIT15051	25	1	NOZZLE ; 60 DEGREE DOWNWARD NOZZLE FOR 175-250 MBH GH, GA, GB, AND GK ONLY TUBULAR GAS UNIT HEATER
KIT15052	26	1	NOZZLE; RPL 60 DEG NOZ KIT TUB 100-150
KIT14715	27	1	NOZZLE ; 60 DEGREE DOWNWARD NOZZLE FOR 300-400 MBH GH, GA, GB, AND GK ONLY TUBULAR GAS UNIT HEATER
KIT15034	28	1	NOZZLE ; 90 DEGREE NOZZLE(100-150) FOR GH, GA, GB AND GK ONLY TUBULAR GAS UNIT HEATERS
KIT07654	29	1	NOZZLE ; 90 DEGREE NOZZLE(175-250) FOR GH, GA, GB AND GK ONLY TUBULAR GAS UNIT HEATERS
KIT14716	30	1	NOZZLE; 90 DEGREE NOZZLE(300-400) FOR GH, GA, GB AND GK ONLY TUBULAR GAS UNIT HEATERS
KIT16218	31	1	LOUVER ; VERTICAL LOUVER KIT FOR 100-150MBH GH AND GA TUBULAR GAS UNIT HEATERS ONLY
KIT16768	32	1	LOUVER ; VERTICAL LOUVER KIT FOR 175-250MBH GH AND GA TUBULAR GAS UNIT HEATERS ONLY
KIT16769	33	1	LOUVER; VERTICAL LOUVER KIT FOR 300-400 MBH GH AND GA TUBULAR GAS UNIT HEATERS ONLY
KIT16773	34	1	HORIZONTAL VENT KIT; HORIZONTAL COMBUSTION AIR INLET KIT, 5 INCH; 100-250 MBH GB AND GK MODELS ONLY
KIT16774	35	1	HORIZONTAL VENT KIT; HORIZONTAL COMBUSTION AIR INLET KIT, 5 INCH; 300-400 MBH GB AND GK MODELS ONLY
KIT16775	36	1	VERTICAL VENT KIT; VERTICAL COMBUSTION AIR INLET KIT, 5 INCH; 100-250 MBH; GB AND GK ONLY GAS UNIT HEATERS
KIT16776	37	1	VERTICAL VENT KIT; VERTICAL COMBUSTION AIR INLET KIT, 5 INCH; 300-400 MBH; GB AND GK ONLY GAS UNIT HEATERS
SWT00479	38	1	SWITCH, TOGGLE, SUMMER/WINTER
PAI00087	39	1	PAINT; AEROSOL, LT.GRAY (SHIPPING UOM 12 OZ HAZ)

Parts List Number :75010402#GANEUP1

Model Number :GANE020ATA10000