

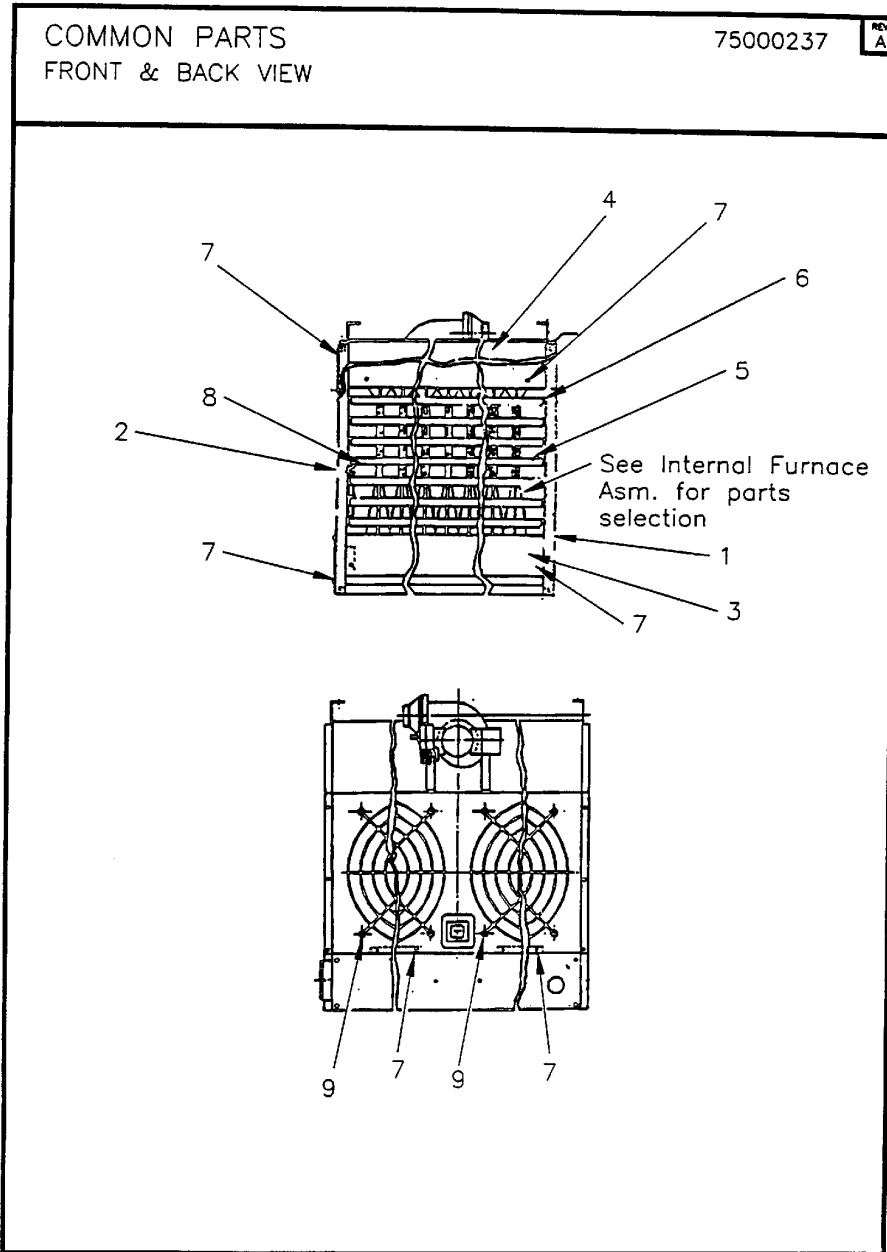
Part No.	Reference No.	Quantity	Description
75000354#GANDUP2~S	*		5-WAY DOWNWARD DISCHARGE ASSEMBLY
75000249#GANDUP2~S	*		30 DEGREE NOZZLE ASSEMBLY
75000250#GANDUP2~S	*		45 DEGREE NOZZLE ASSEMBLY
75000351#GANDUP2~S	*		60 DEGREE NOZZLE ASSEMBLY
75000353#GANDUP2~S	*		90 DEGREE NOZZLE ASSEMBLY
75000352#GANDUP2~S	*		"Y" SPLITTER NOZZLE ASSEMBLY
75000356#GANDUP2~S	*		AIR BAFFLE & HIGH LIMIT SWITCH
GAND0214#GANDUP2~S	*		CANADIAN STANDARD VENT CAPS & ADAPTERS
75000241#GANDUP2~S	*		COMBUSTION CHAMBER ASSEMBLY
75000237#GANDUP2~S	*		COMMON PARTS, FRONT/BACK VIEW
75000238#GANDUP2~S	*		COMMON PARTS, SIDE VIEW
GAND2001_GANDUP2_124934~ P	*		GANDUP2 PARTS LIST
75000240#GANDUP2~S	*		HEAT EXCHANGER/FLUE COLLECTOR & HARDWARE
75000246#GANDUP2~S	*		IGNITION CONTROL, HONEYWELL S8600F
75000359#GANDUP2~S	*		IGNITION CONTROL, HONEYWELL S8600H
75000358#GANDUP2~S	*		IGNITION CONTROL, HONEYWELL S8600M
75000357#GANDUP2~S	*		IGNITION CONTROL, JOHNSON G770MGA
75003048#GANDUP2~S	*		MODEL NUMBER DESCRIPTION
75000239#GANDUP2~S	*		MOTOR, PROPELLER AND GUARD ASSEMBLY
75000247#GANDUP2~S	*		POWER VENT ASSEMBLY
75000248#GANDUP2~S	*		SUMMER/WINTER SWITCH
75000355#GANDUP2~S	*		THERMOSTATS & GUARD
75000232#GANDUP2~S	*		VERTICAL LOUVERS

NO GRAPHIC AVAILABLE

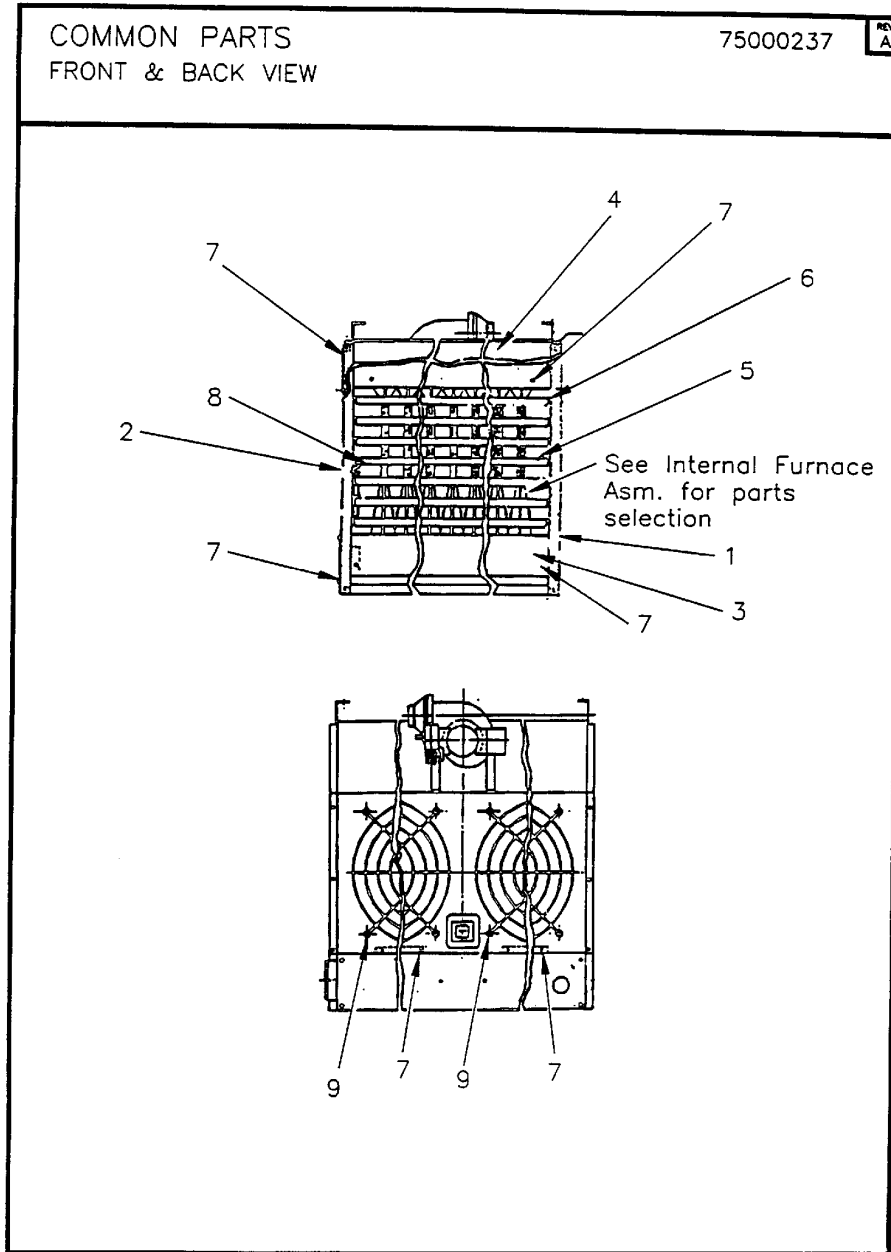
75013702

REV
A

**NO
GRAPHIC
AVAILABLE**



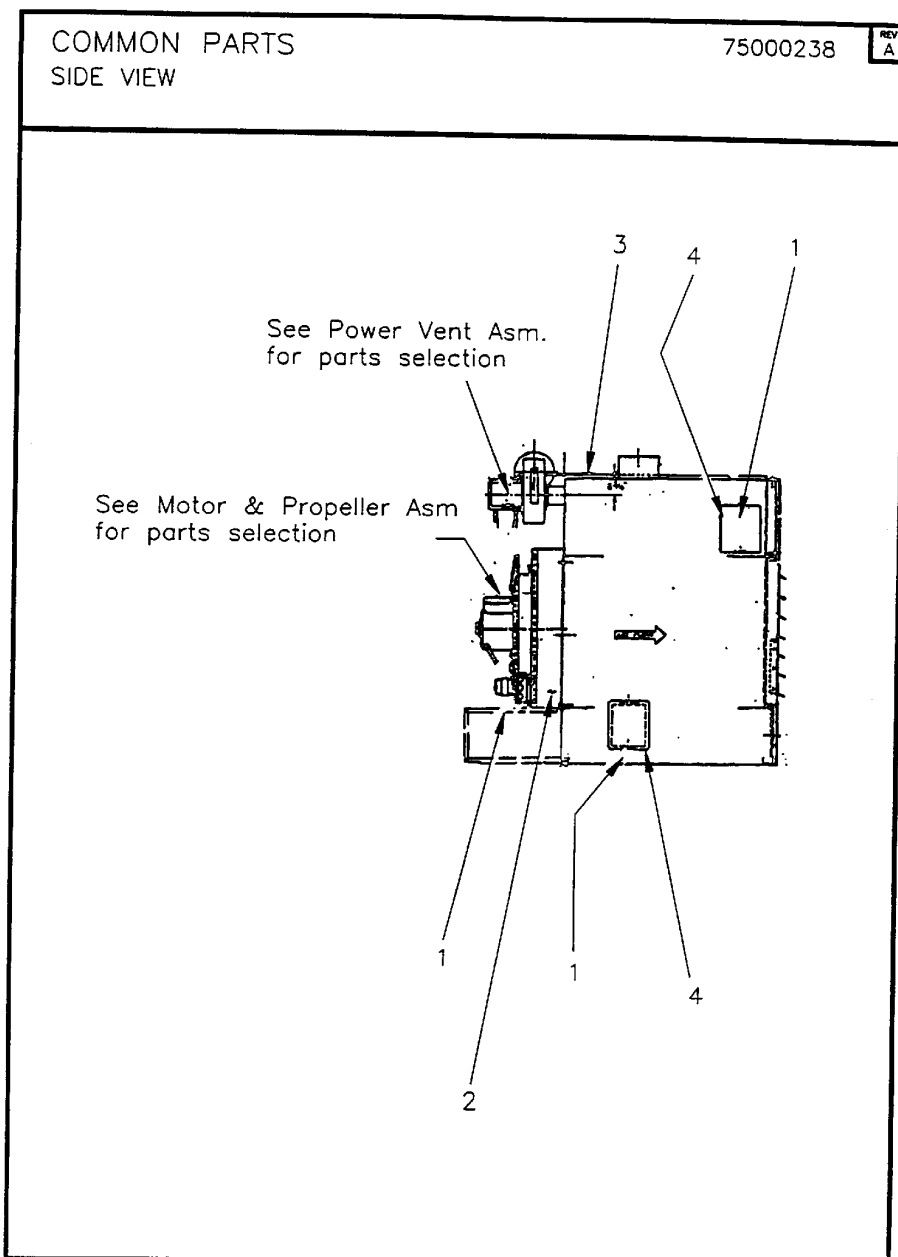
Part No.	Reference No.	Quantity	Description
75000237_GANDUP2_197600~P	*		COMMON PARTS, FRONT/BACK VIEW PARTS LIST



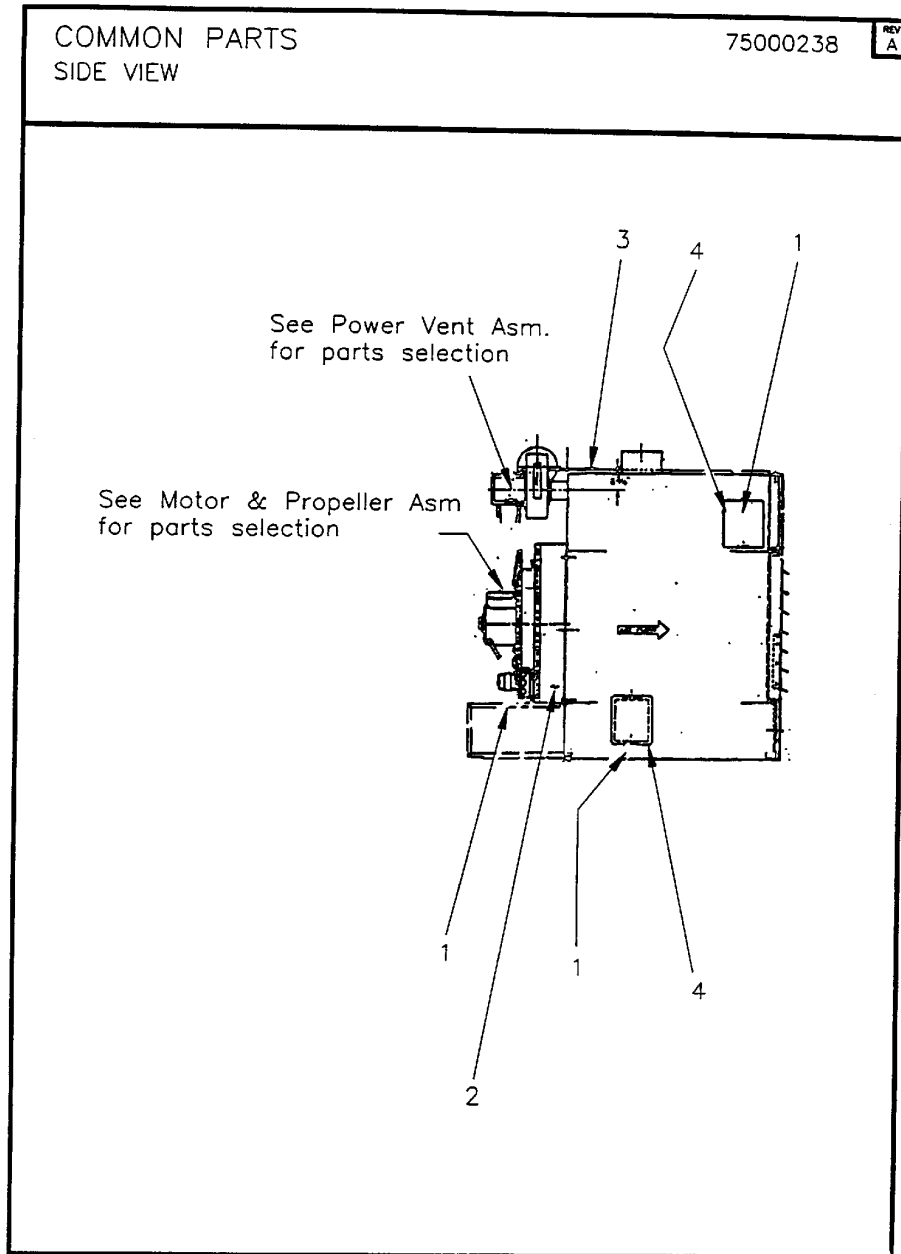
Parts List Number :GAND2001#GANDUP2

Model Number :GAND015ADG10000

Part No.	Reference No.	Quantity	Description
RLY01770	*	1	RELAY; FAN TIME DELAY, (INSIDE JUNCTION BOX) ALSO CALLED SEQUENCER(THERM-0-DISC)
PNL17618	1	1	PANEL; OUTSIDE JACKET 150/400 (L.H.)
PNN00616	2	1	PANEL; OUTSIDE JACKET, RIGHT HAND
PNN04814	3	1	PANEL;BOTTOM FRONT TRIM 125/150
PNN00643	4	1	PANEL; FRONT TRIM
LVR00023	5	7	LOUVER; HORIZONTAL, DARK GRAY COLOR ORDER PAI0061 AND REPAINT IF EXE. BEIGE REQUIRED
SPG00194	6	7	SPRING; CONE, ADJUSTABLE LOUVERS FOR HORZ. AND VERT.(ORDER QTY EQUALS PIECES)
SCR00769	7	0	SCREW; #8, PHILIPS PAN HEAD,1/2 IN. LG.
RIV00055	8	1	RIVET;POP
RTR00096	9	4	RETAINER, NUT



Part No.	Reference No.	Quantity	Description
75000238_GANDUP2_197602~P	*		COMMON PARTS, SIDE VIEW PARTS LIST



Parts List Number :GAND2001#GANDUP2

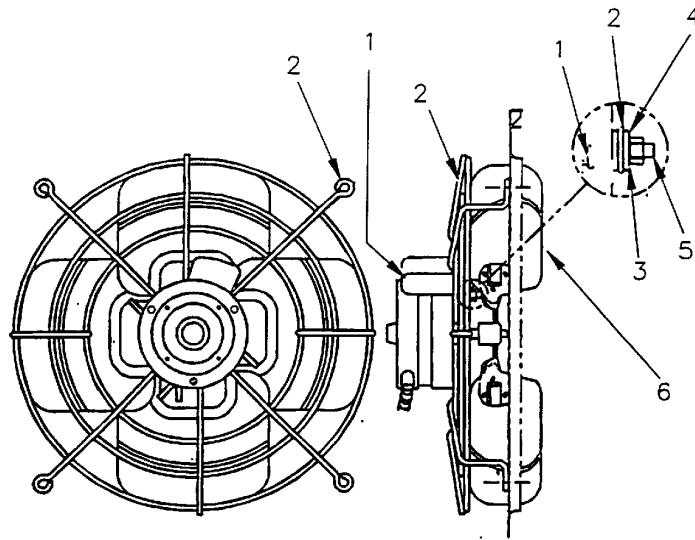
Model Number :GAND015ADG10000

Part No.	Reference No.	Quantity	Description
SCR00769	1	0	SCREW; #8, PHILIPS PAN HEAD,1/2 IN. LG.
PNN04824	2	1	PANEL;VENTURI QVSF-150
BRK01006	3	1	BRACKET;SUPPORT, FOR THE POWER VENT ASSEMBLY
DOR00927	4	2	DOOR;ACCESS

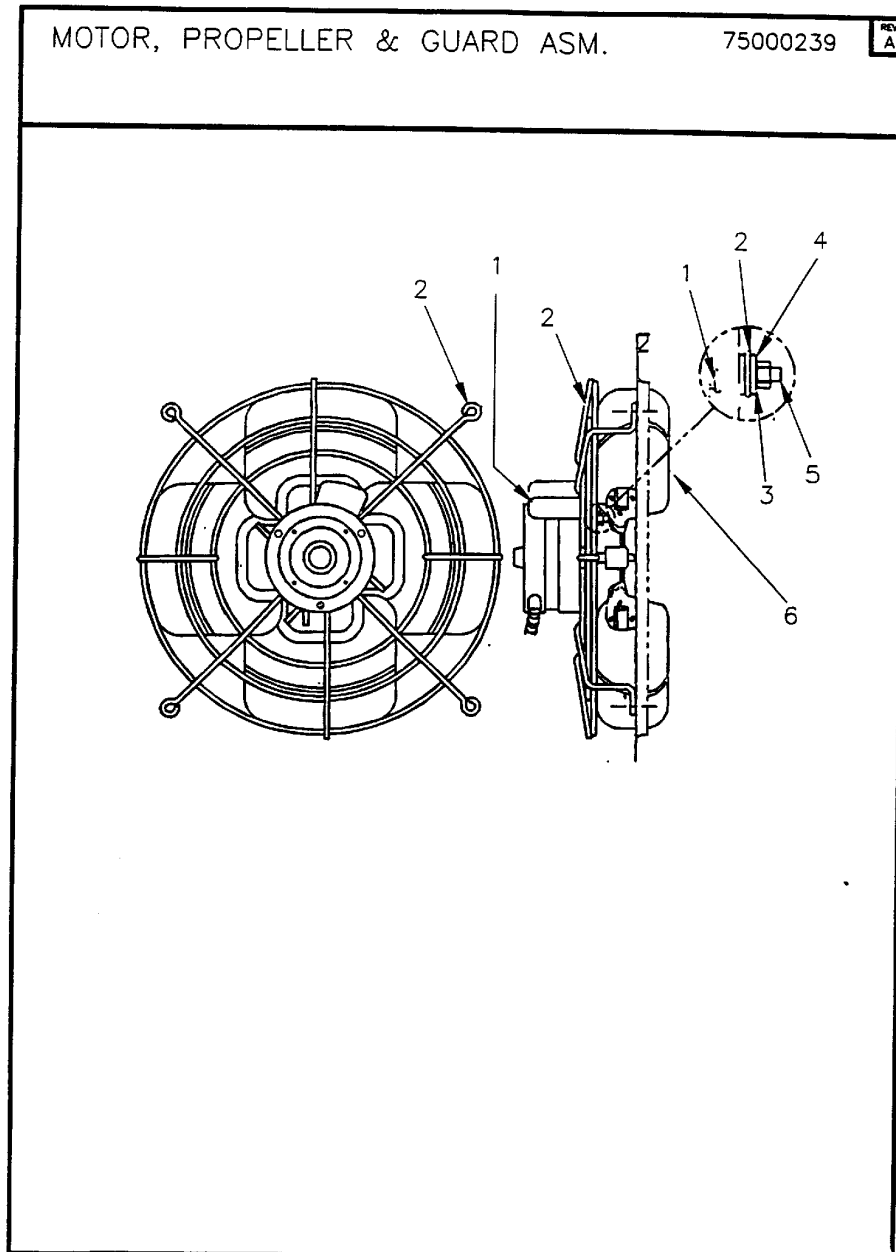
MOTOR, PROPELLER & GUARD ASM.

75000239

REV
A



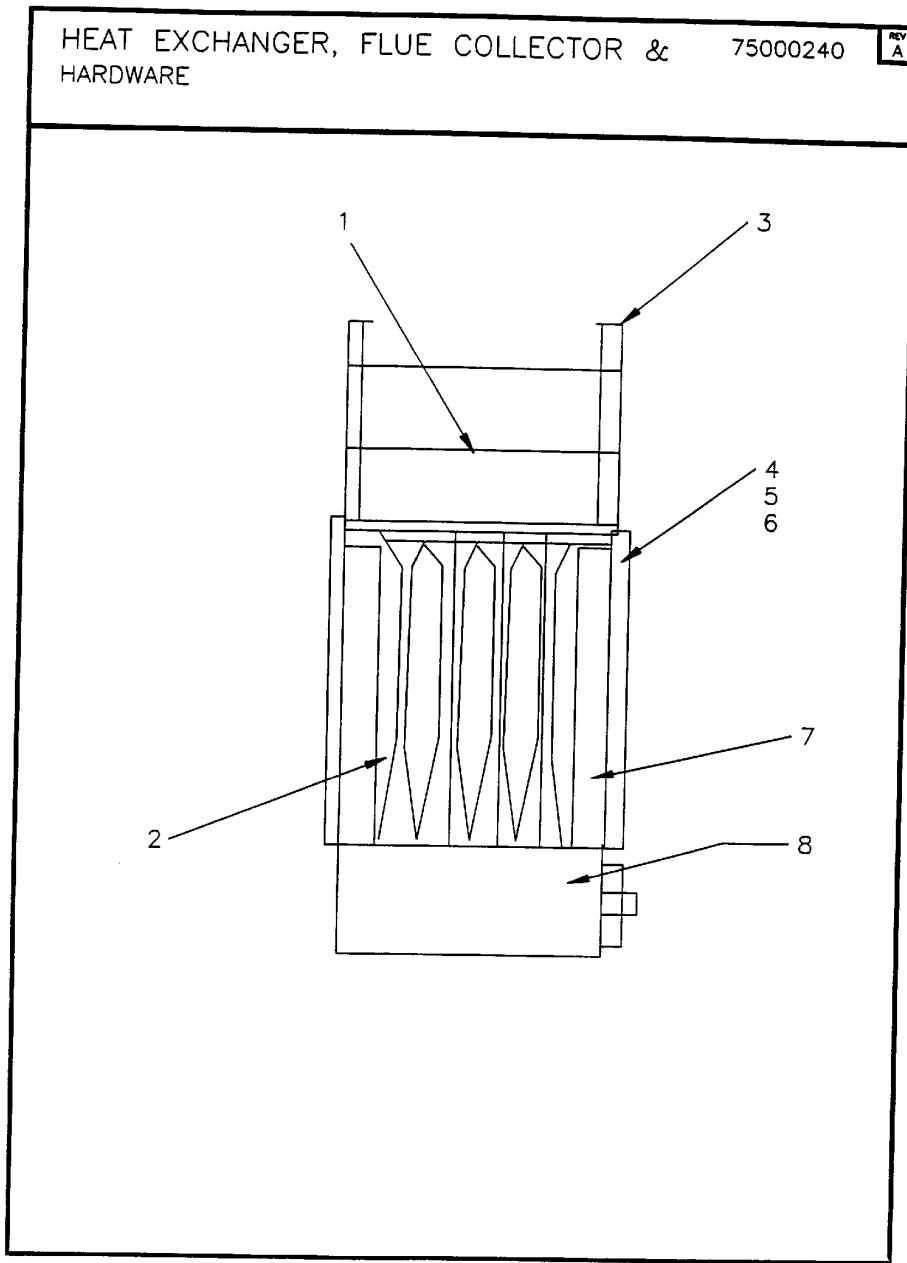
Part No.	Reference No.	Quantity	Description
75000239_GANDUP2_197603~P	*		MOTOR, PROPELLER AND GUARD ASSEMBLY PARTS LIST



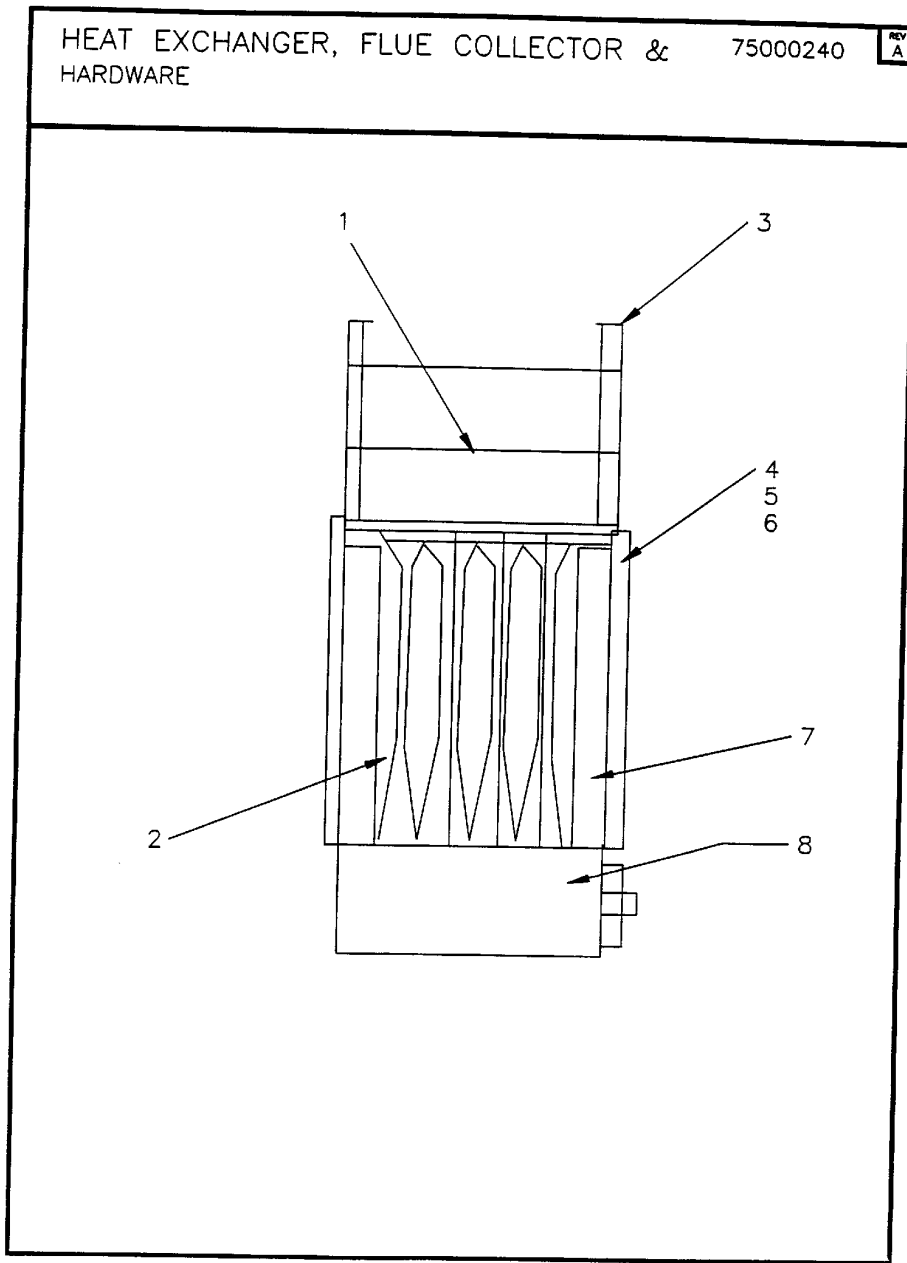
Parts List Number :GAND2001#GANDUP2

Model Number :GAND015ADG10000

Part No.	Reference No.	Quantity	Description
MOT07942	1	1	MOTOR; 1/4 HP, OPEN DRIP PROOF, 4.7 AMP, 120/60, 1 SPEED, 1050 RPM
GRD00310	2	1	GUARD; FAN, 16IN. DIA. P-2/16 & 12-1873, SAME AS GRD0431 EXCEPT PAINT COLOR
WAS00805	3	0	WASHER;
GRM00200	4	0	GROMMET;
NUT00685	5	0	NUT;
FAN02022	6	1	FAN; PROPELLER (1/2IN. BORE)



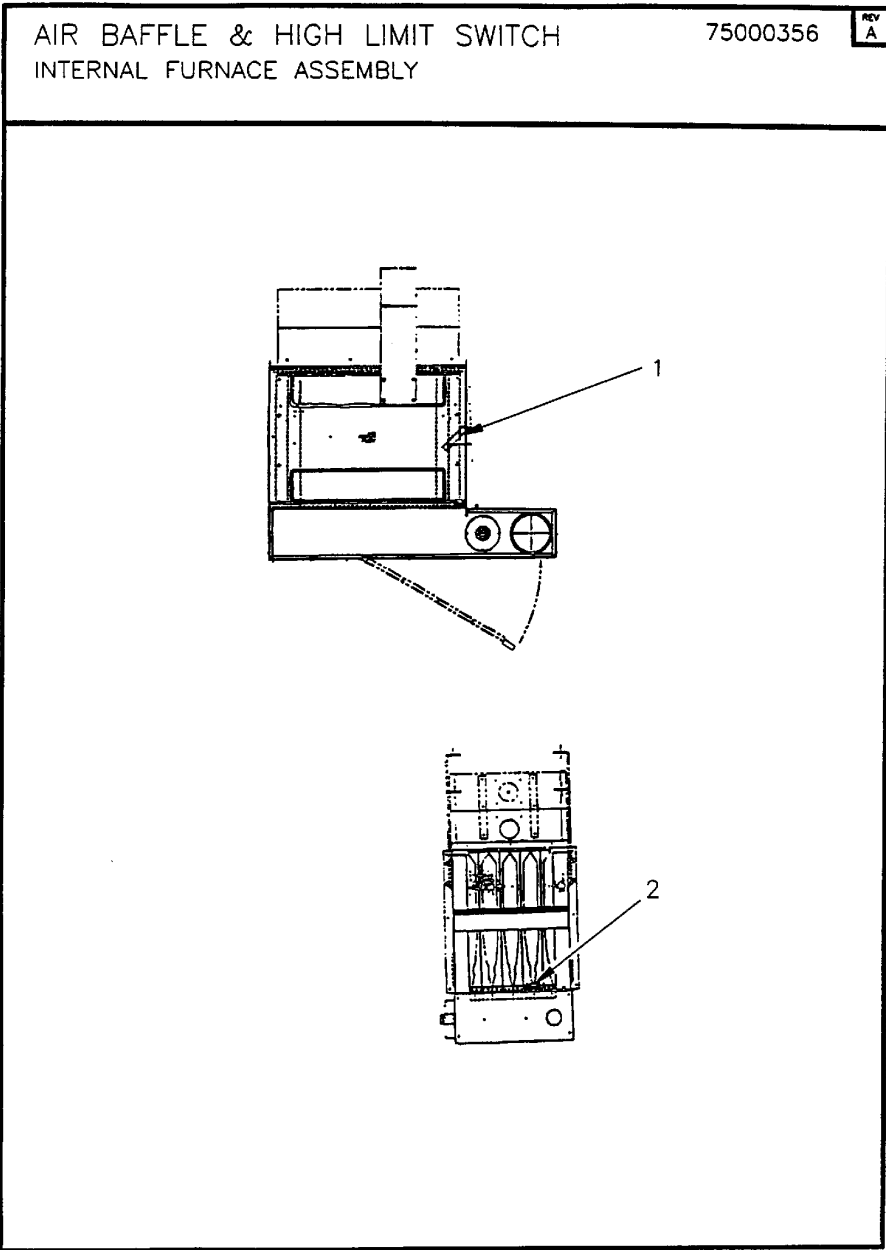
Part No.	Reference No.	Quantity	Description
75000240_GANDUP2_197604~P	*		HEAT EXCHANGER/FLUE COLLECTOR & HARDWARE PARTS LIST



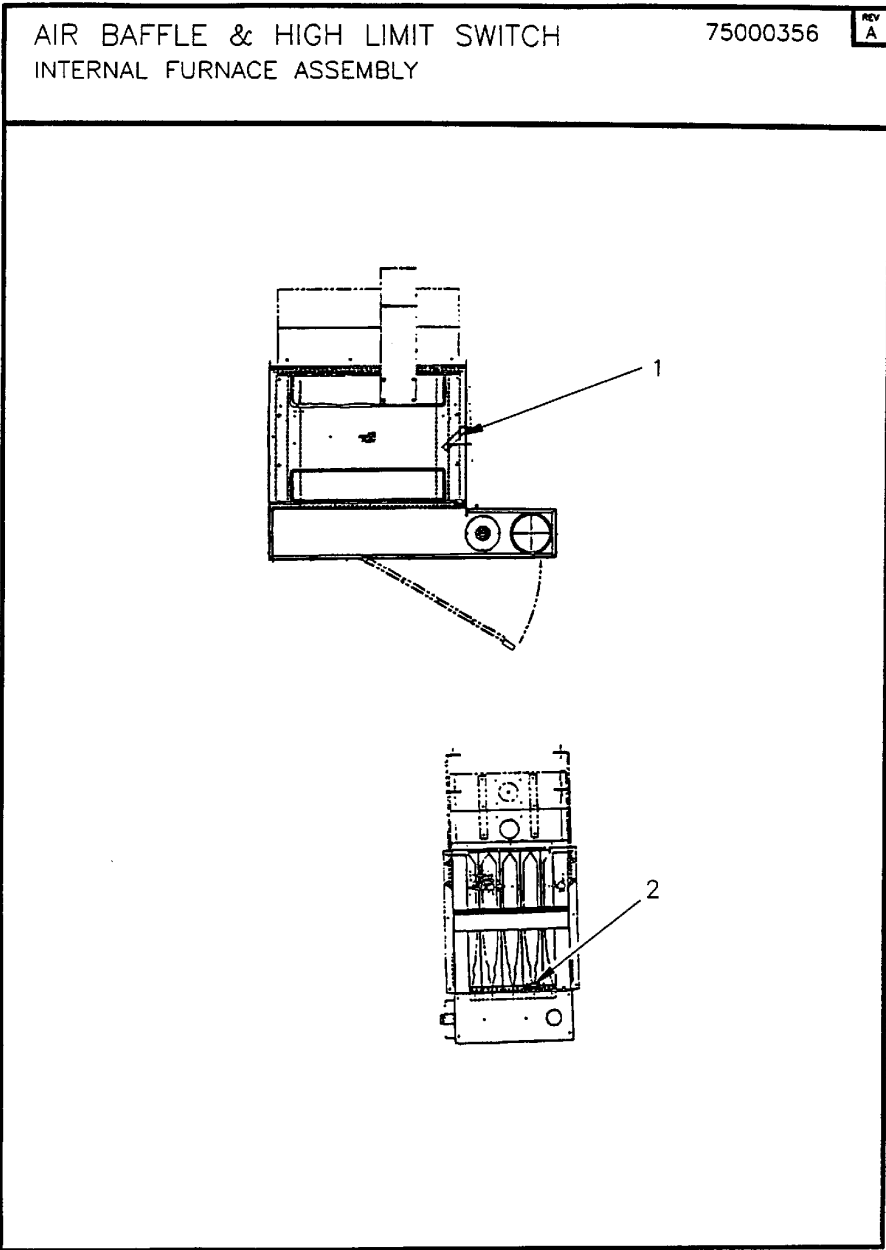
Parts List Number :GAND2001#GANDUP2

Model Number :GAND015ADG10000

Part No.	Reference No.	Quantity	Description
FLU00157	1	1	FLUE;COLLECTOR ASSEMBLY (QVSF/B 150) ALUM.
EXC01687	2	1	EXCHANGER; HEAT, ALUMINUM
BLT00183	4	4	BOLT; HEX HEAD
WAS00669	5	4	WASHER;LOCK,EXTERNAL TOOTH
NUT00518	6	4	NUT; HEX HEAD
SCR00769	8	0	SCREW; #8, PHILIPS PAN HEAD,1/2 IN. LG.



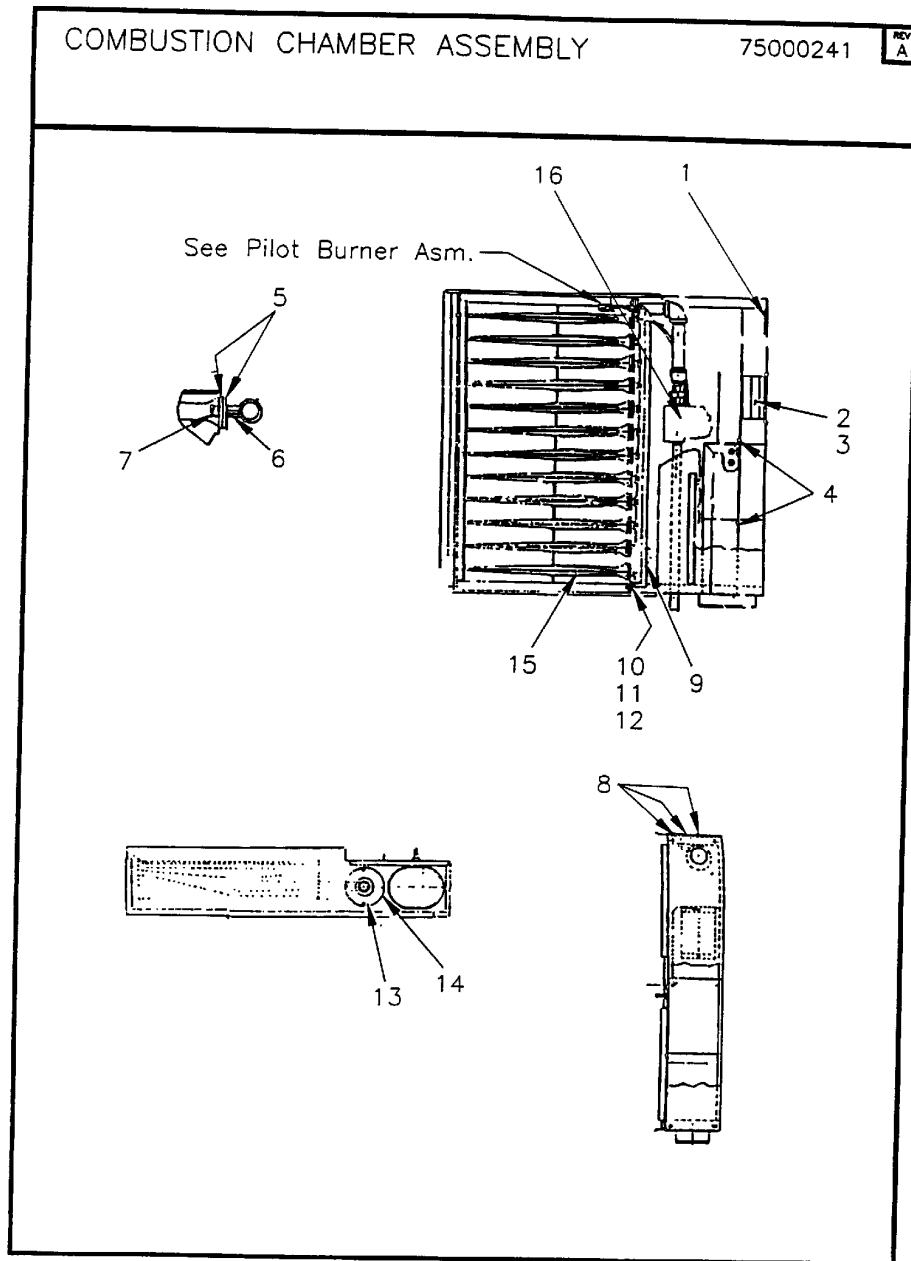
Part No.	Reference No.	Quantity	Description
75000356_GANDUP2_124970~P	*		AIR BAFFLE & HIGH LIMIT SWITCH PARTS LIST



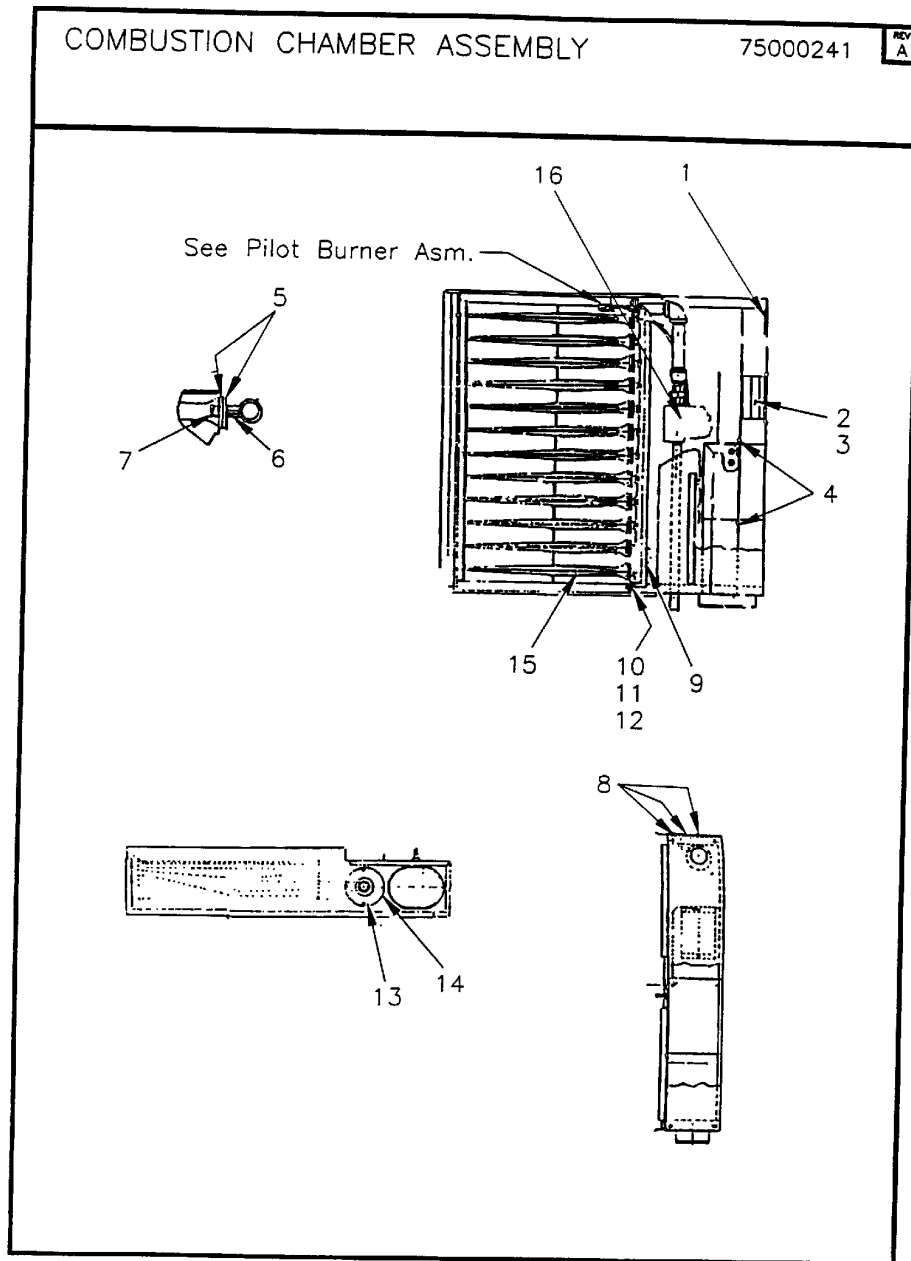
Parts List Number :GAND2001#GANDUP2

Model Number :GAND015ADG10000

Part No.	Reference No.	Quantity	Description
SWT01036	2	1	SWITCH; AUXILARY CONTROL, HIGH LIMIT, 60T23-203675, F170-40, OPENS 130F, CLOSES 170F



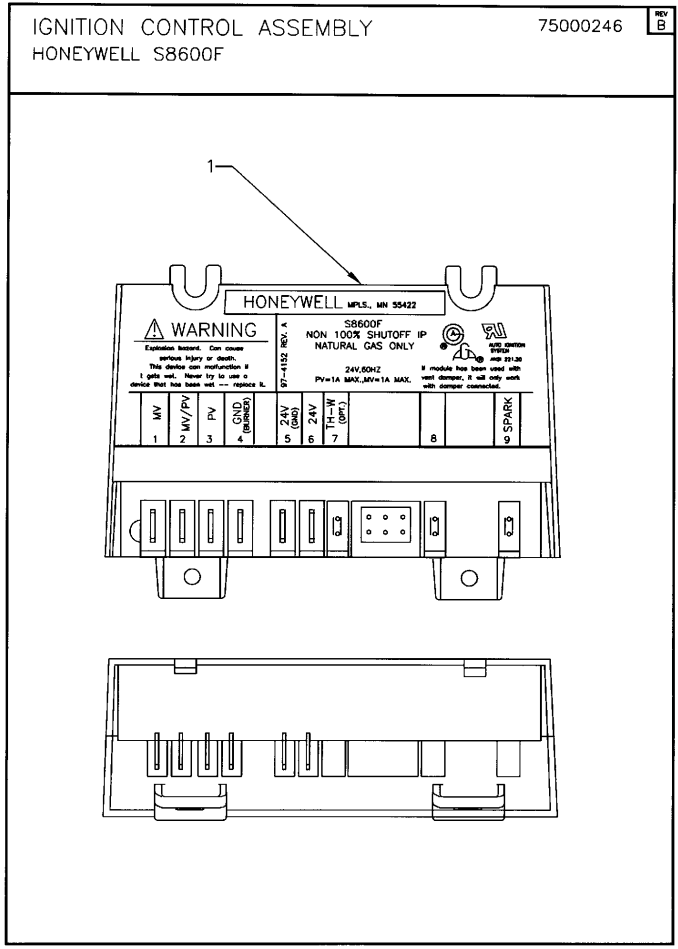
Part No.	Reference No.	Quantity	Description
75000241_GANDUP2_197606~P	*		COMBUSTION CHAMBER ASSEMBLY PARTS LIST



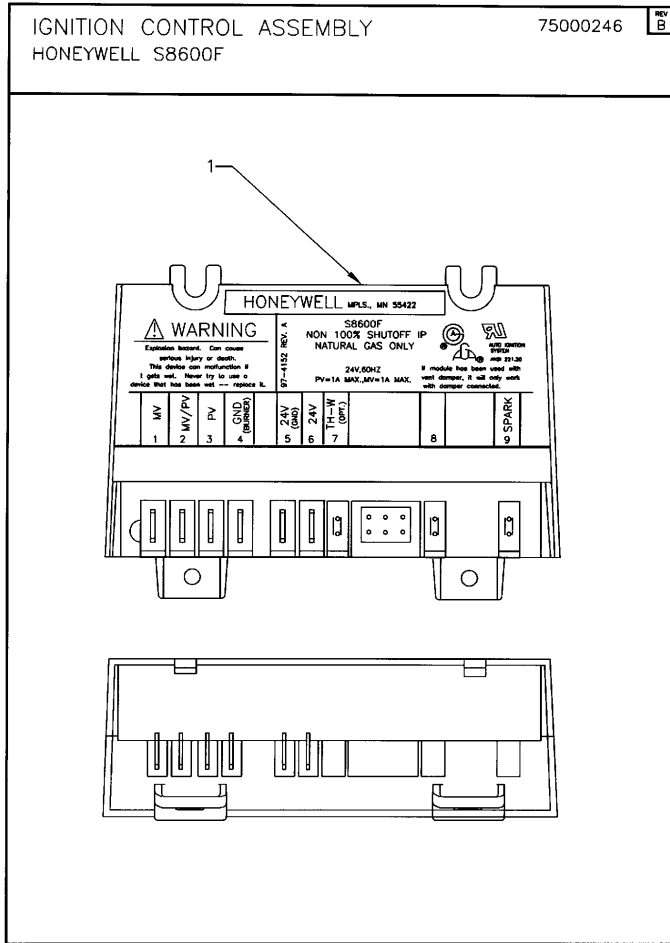
Parts List Number :GAND2001#GANDUP2

Model Number :GAND015ADG10000

Part No.	Reference No.	Quantity	Description
GLS00172	1	1	GLASS;WINDOW VIEWING, 1 1/2 INCHES
BRK01691	2	1	BRACKET;IGNITOR MOUNTING
SCR00769	3	2	SCREW; #8, PHILIPS PAN HEAD,1/2 IN. LG.
SCR00769	4	0	SCREW; #8, PHILIPS PAN HEAD,1/2 IN. LG.
SHT00262	5	12	SHUTTER;AIR
SPG00249	6	12	SPRING;BURNER, ORDER QTY.SHOULD BE PCS
ORF00615	7	0	ORIFICE; MAIN BURNER, DRILL SIZE #41
RIV00055	8	3	RIVET;POP
MFD00696	9	1	MANIFOLD;ASSEMBLY (QVSF/B 150)
BLT00183	10	4	BOLT; HEX HEAD
WAS00813	11	4	WASHER;SPRING LOCK, 5/16"
NUT00518	12	4	NUT; HEX HEAD
SCR00769	13	0	SCREW; #8, PHILIPS PAN HEAD,1/2 IN. LG.
PNN04901	14	1	PANEL;GAS SUPPLY INLET (100-200 MBH)
BNR00596	15	6	BURNER;MAIN, ALUMINUM, SINGLE BURNER
VAL04153	16	1	VALVE; GAS-NAT, 1/2 X 1/2



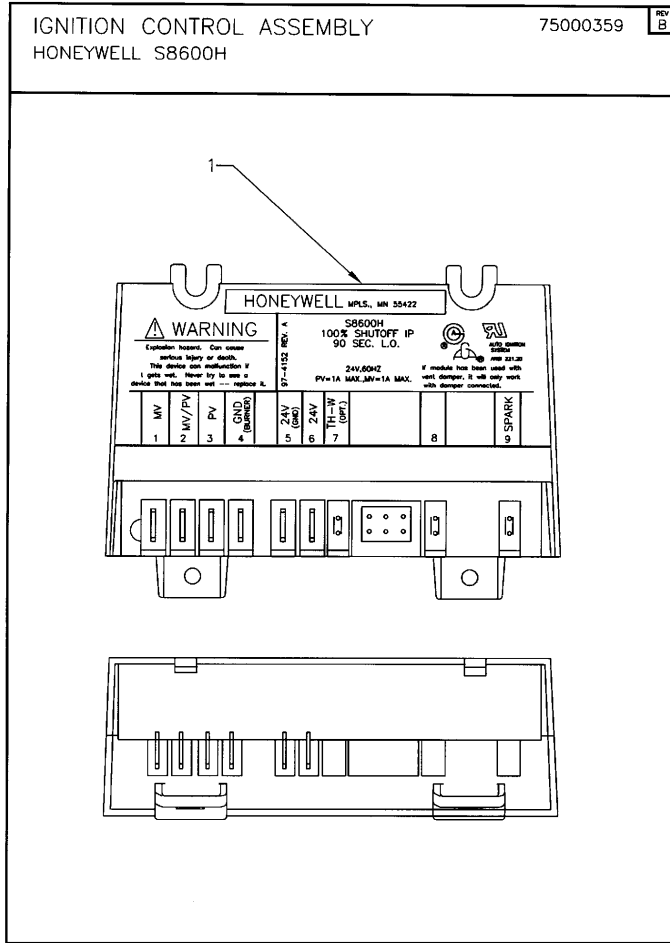
Part No.	Reference No.	Quantity	Description
75000246_GANDUP2_124955~P	*		IGNITION CONTROL, HONEYWELL S8600F PARTS LIST



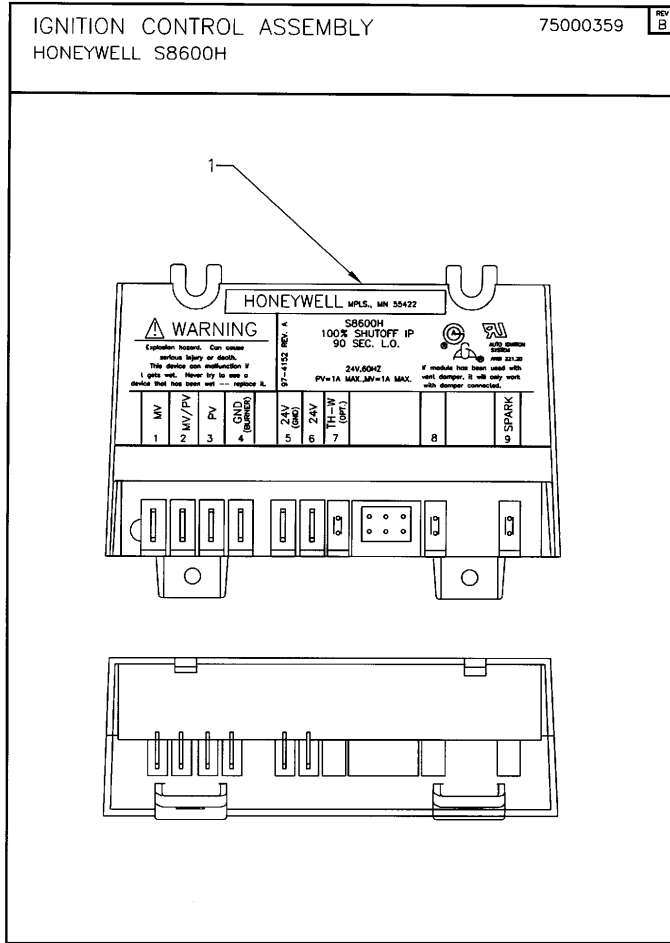
Parts List Number :GAND2001#GANDUP2

Model Number :GAND015ADG10000

Part No.	Reference No.	Quantity	Description
CNT01318	1	1	CONTROL, IGNITION NATURAL GAS(HONEYWELL)



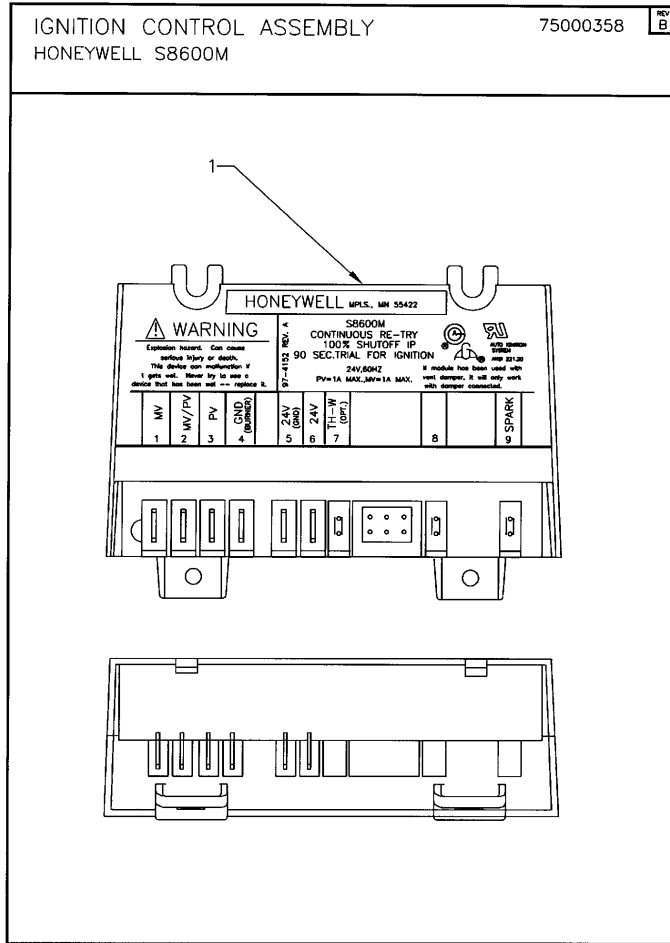
Part No.	Reference No.	Quantity	Description
75000359_GANDUP2_124973~P	*		IGNITION CONTROL, HONEYWELL S8600H PARTS LIST



Parts List Number :GAND2001#GANDUP2

Model Number :GAND015ADG10000

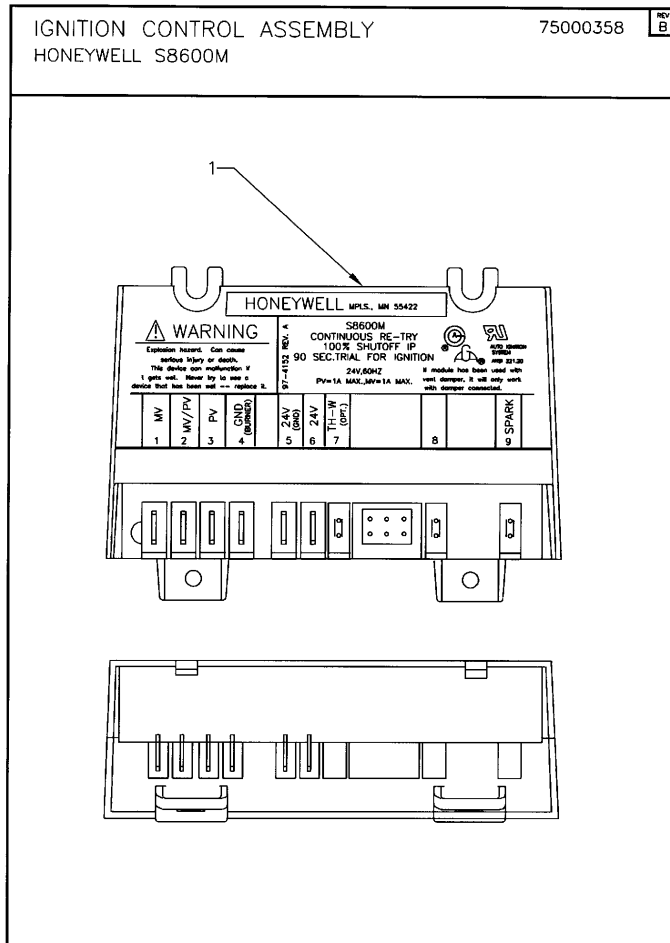
Part No.	Reference No.	Quantity	Description
CNT01241	1	1	CONTROL, IGNITION MODULE 90 SEC. MAX. LOCKOUT



Parts List Number :GAND2001#GANDUP2

Model Number :GAND015ADG10000

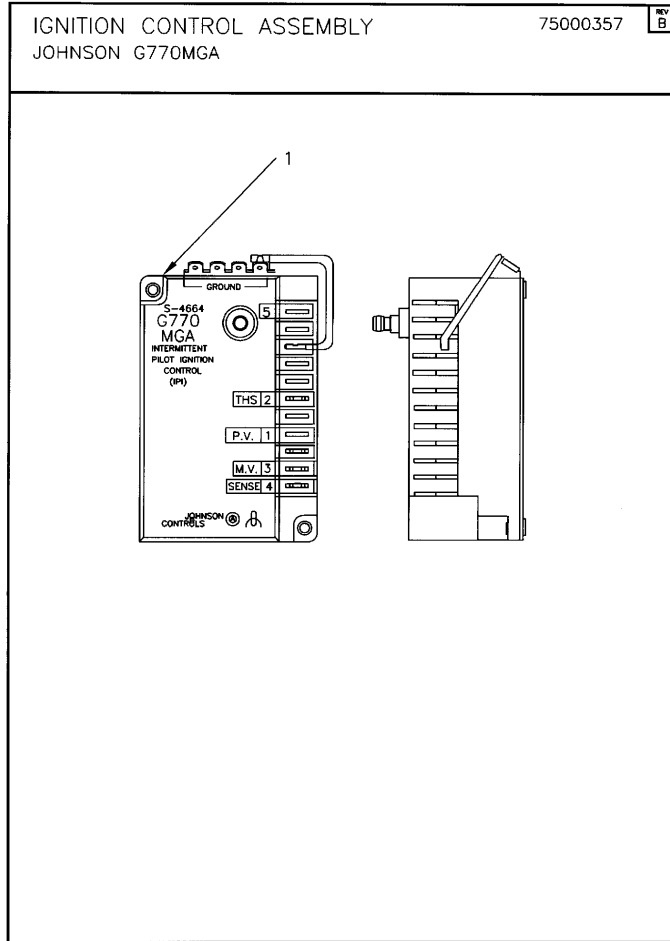
Part No.	Reference No.	Quantity	Description
75000358_GANDUP2_124972~P	*		IGNITION CONTROL, HONEYWELL S8600M PARTS LIST



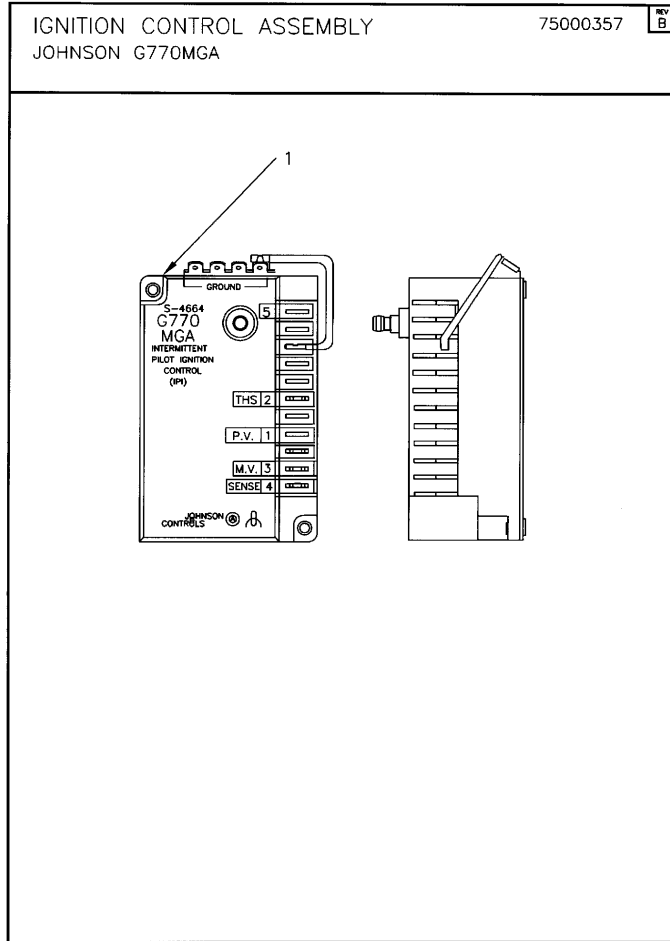
Parts List Number :GAND2001#GANDUP2

Model Number :GAND015ADG10000

Part No.	Reference No.	Quantity	Description
CNT01466	1	1	CONTROL: IGNITOR, CONTINUOUS RETRY 100 PERCENT SHUTOFF IP



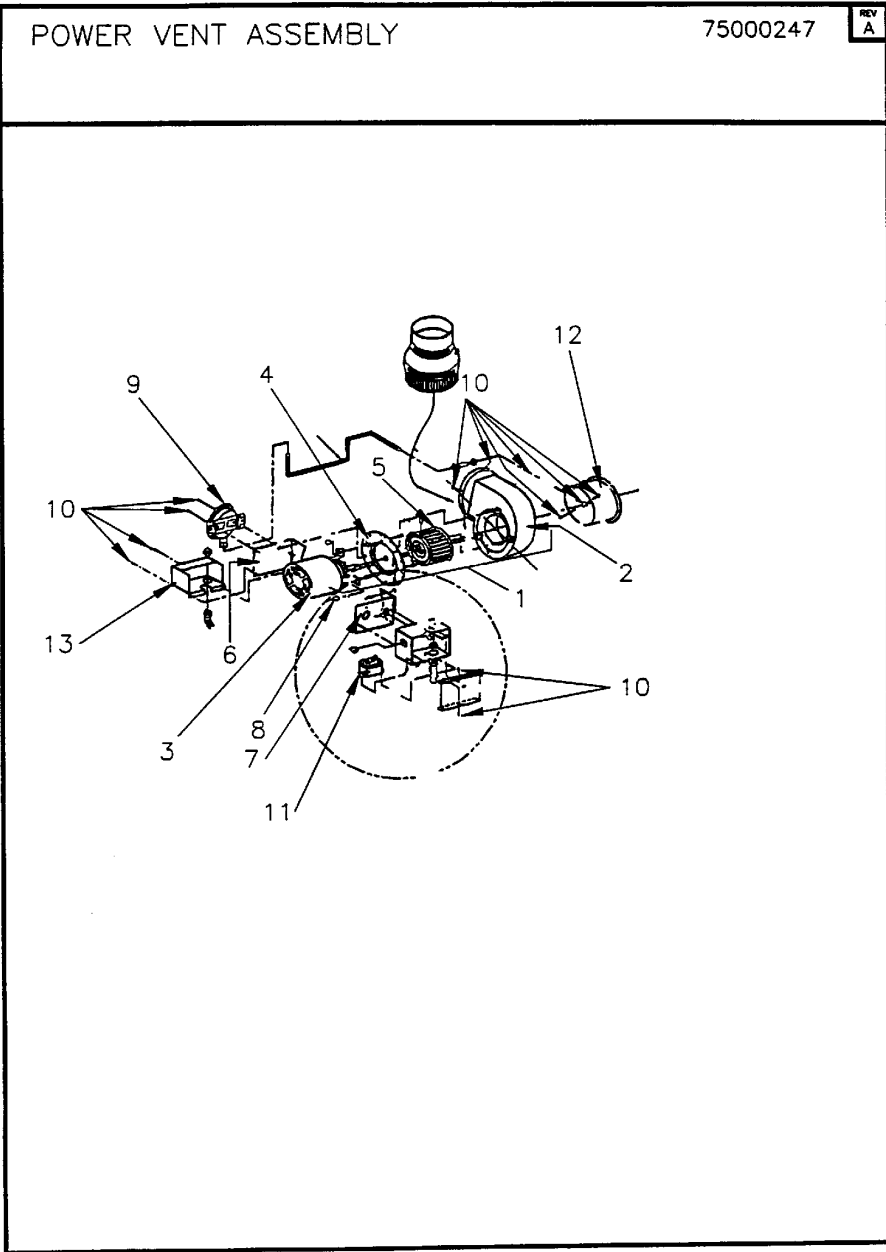
Part No.	Reference No.	Quantity	Description
75000357_GANDUP2_124971~P	*		IGNITION CONTROL, JOHNSON G770MGA PARTS LIST



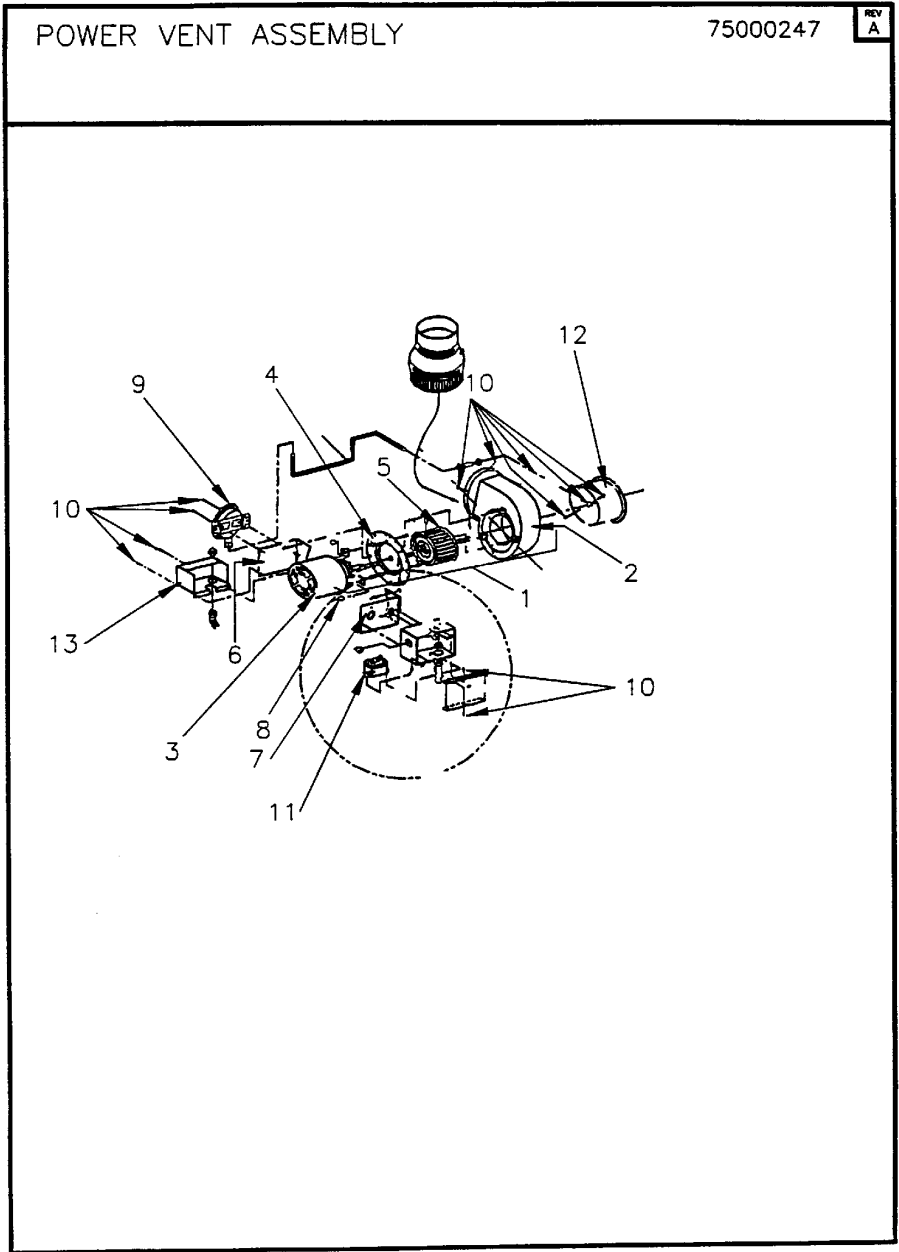
Parts List Number :GAND2001#GANDUP2

Model Number :GAND015ADG10000

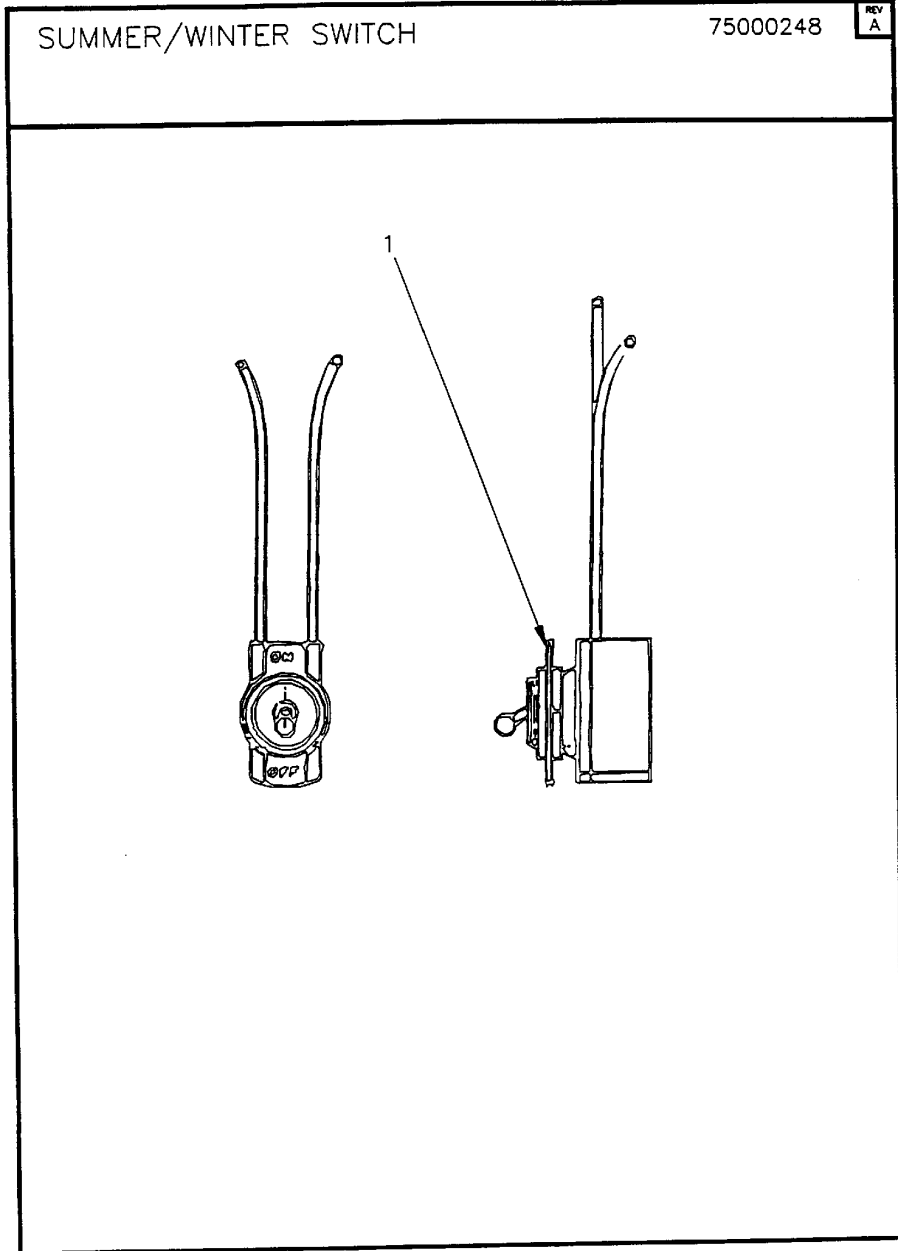
Part No.	Reference No.	Quantity	Description
CNT01190	1	1	CONTROL, IGNITION, W/LOCKOUT



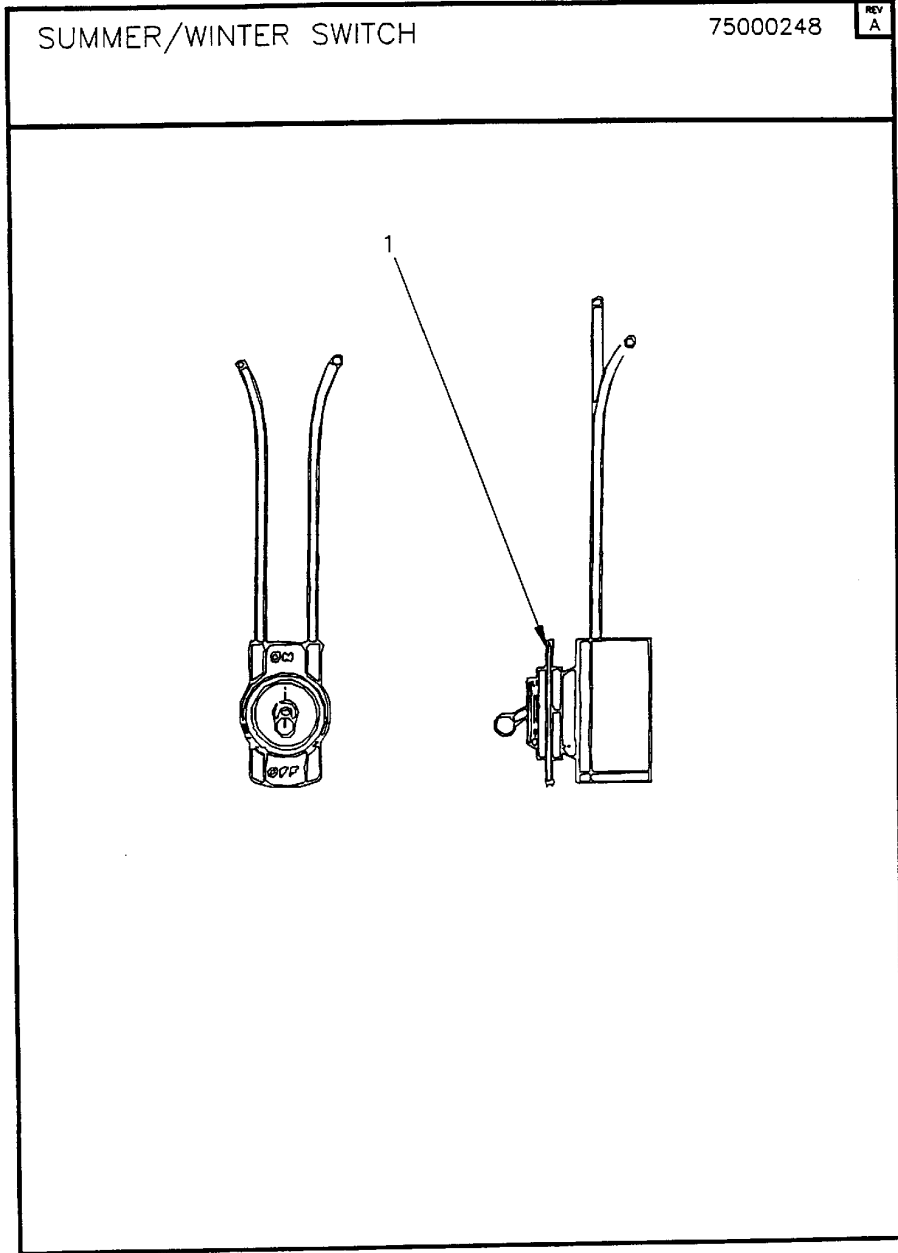
Part No.	Reference No.	Quantity	Description
75000247_GANDUP2_124957~P	*		POWER VENT ASSEMBLY PARTS LIST



Part No.	Reference No.	Quantity	Description
RLY01770	*	1	RELAY; FAN TIME DELAY, (INSIDE JUNCTION BOX) ALSO CALLED SEQUENCER(THERM-0-DISC)
BLW00448	1	1	BLOWER;POWER VENT ASM., COMPLETE
HUS01380	2	1	HOUSING;POWER VENT BLOWER
MOT02690	3	1	MOTOR, POWER VENT(INDUCER), 1/20 HP, 115/60, 1.5 AMPS, 2 POLE,
PLT01122	4	1	PLATE; ADAPTER FOR POWER VENT ASSEMBLY
WHL00509	5	1	WHEEL; DRAFTOR
BRK00947	6	1	BRACKET; PRESSURE SWITCH MOUNTING
BRK00948	7	1	BRACKET;JUNCTION BOX MOUNTING
NUT00685	8	3	NUT;
SWT01564	9	1	SWITCH-AIR PRESSURE
SCR00769	10	14	SCREW; #8, PHILIPS PAN HEAD,1/2 IN. LG.
RLY00978	11	1	RELAY; POWER CONTROL, 24V COIL, DPST, 12 AMP AT 125V
FLU00075	12	1	FLUE; VENT
COV01953	13	1	COVER;PRESSURE SWITCH



Part No.	Reference No.	Quantity	Description
75000248_GANDUP2_124958~P	*		SUMMER/WINTER SWITCH PARTS LIST

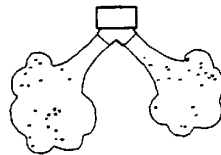
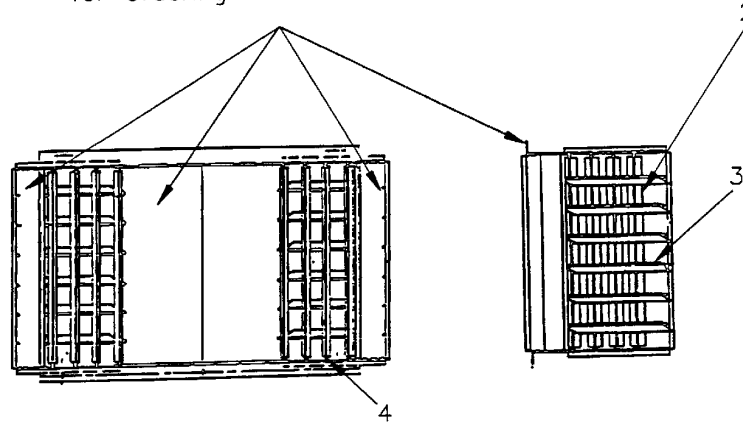


NOZZLE ASSEMBLY
"Y" SPLITTER

75000352

REV
A

Contact Parts Support in La Crosse
for Ordering Information.



"y" Splitter Nozzle Assembly

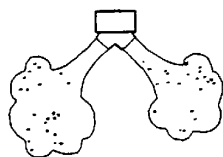
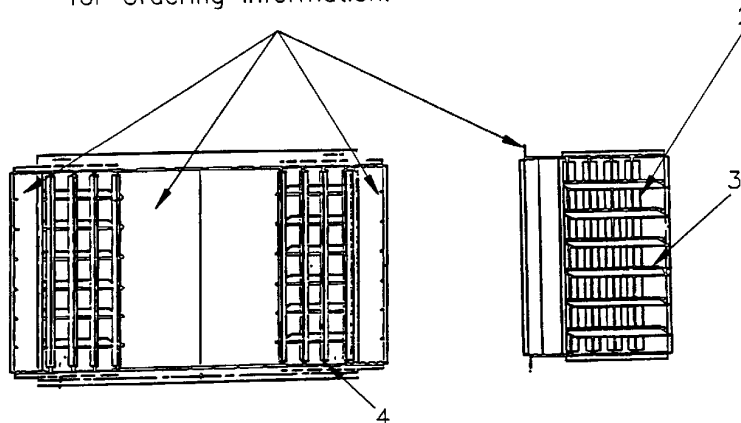
Part No.	Reference No.	Quantity	Description
75000352_GANDUP2_124964~P	*		"Y" SPLITTER NOZZLE ASSEMBLY PARTS LIST

NOZZLE ASSEMBLY
"Y" SPLITTER

75000352

REV
A

Contact Parts Support in La Crosse
for Ordering Information.

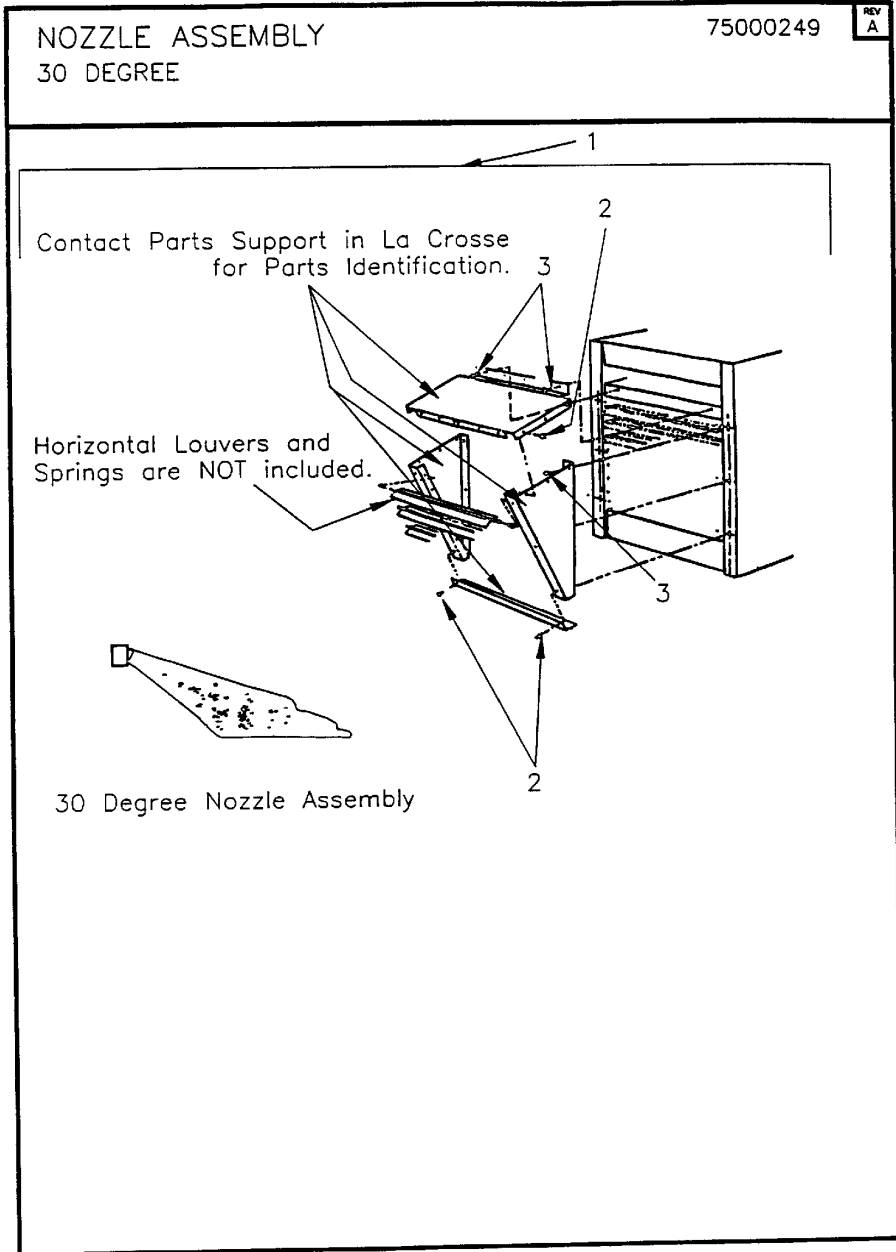


"y" Splitter Nozzle Assembly

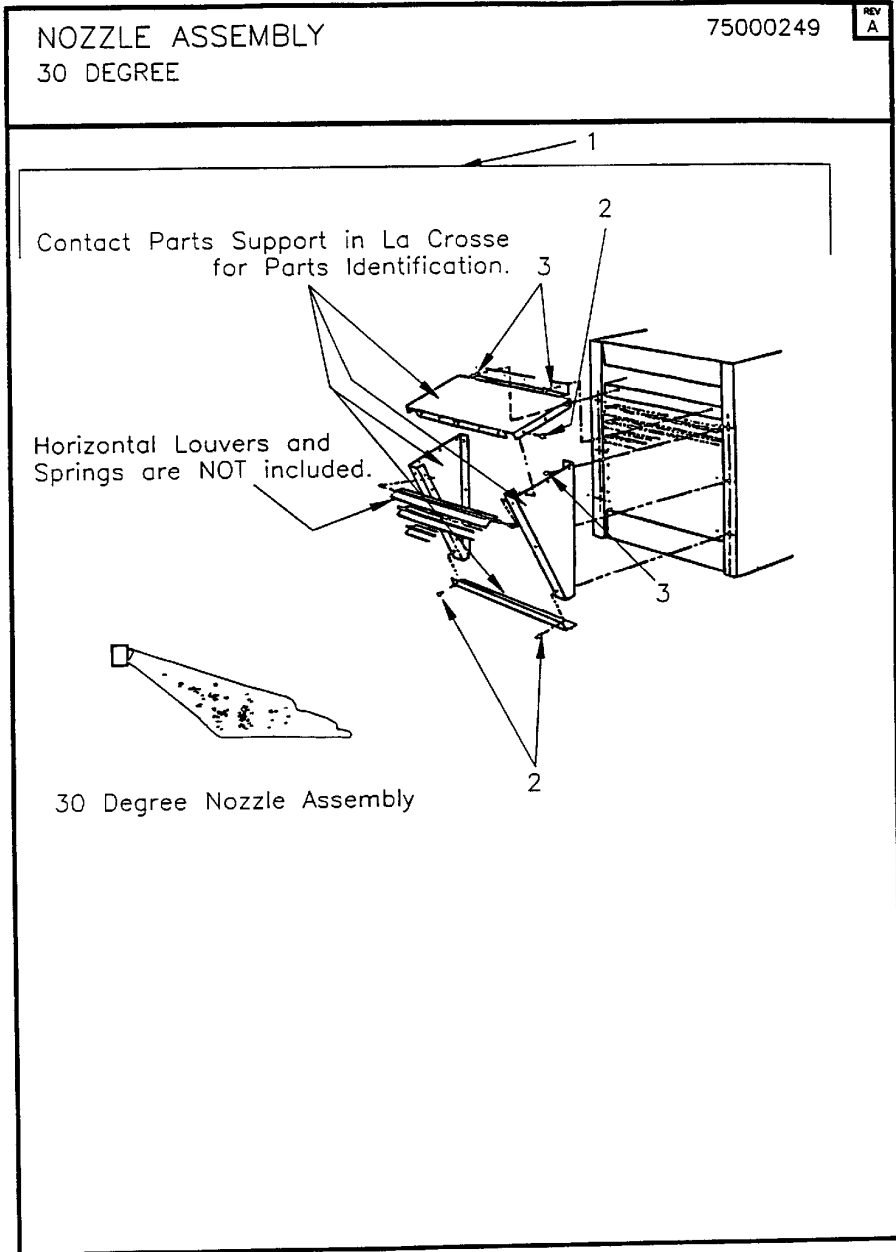
Parts List Number :GAND2001#GANDUP2

Model Number :GAND015ADG10000

Part No.	Reference No.	Quantity	Description
KIT01655	1	1	KIT; Y SPLITTER NOZZLE ASSEMBLY
LVR00020	2	6	LOUVER; VERTICAL, ORDER QTY IS PIECES
LVR00061	3	12	LOUVER; HORIZONTAL NOZZLE
SPG00194	4	18	SPRING; CONE, ADJUSTABLE LOUVERS FOR HORZ. AND VERT.(ORDER QTY EQUALS PIECES)



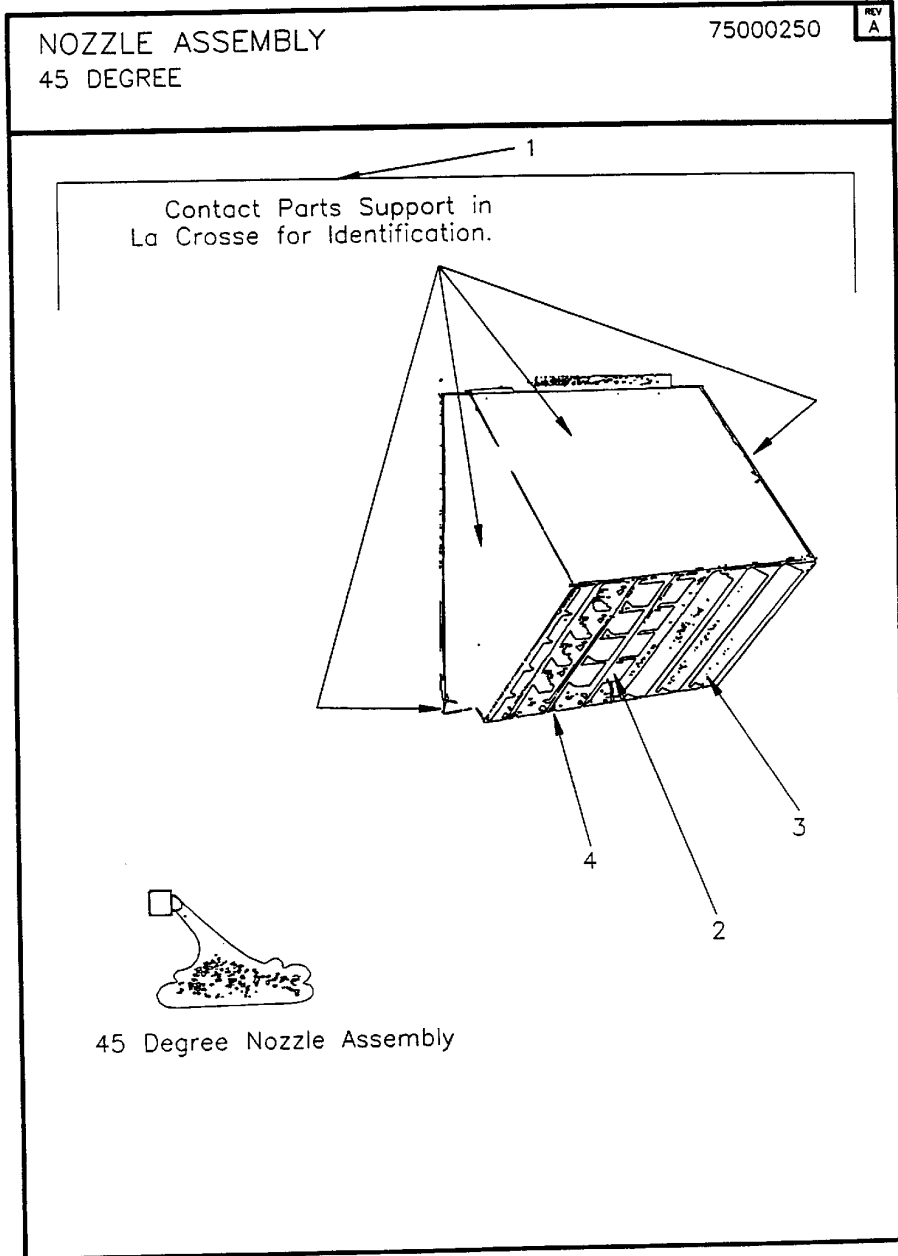
Part No.	Reference No.	Quantity	Description
75000249_GANDUP2_124959~P	*		30 DEGREE NOZZLE ASSEMBLY PARTS LIST



Parts List Number :GAND2001#GANDUP2

Model Number :GAND015ADG10000

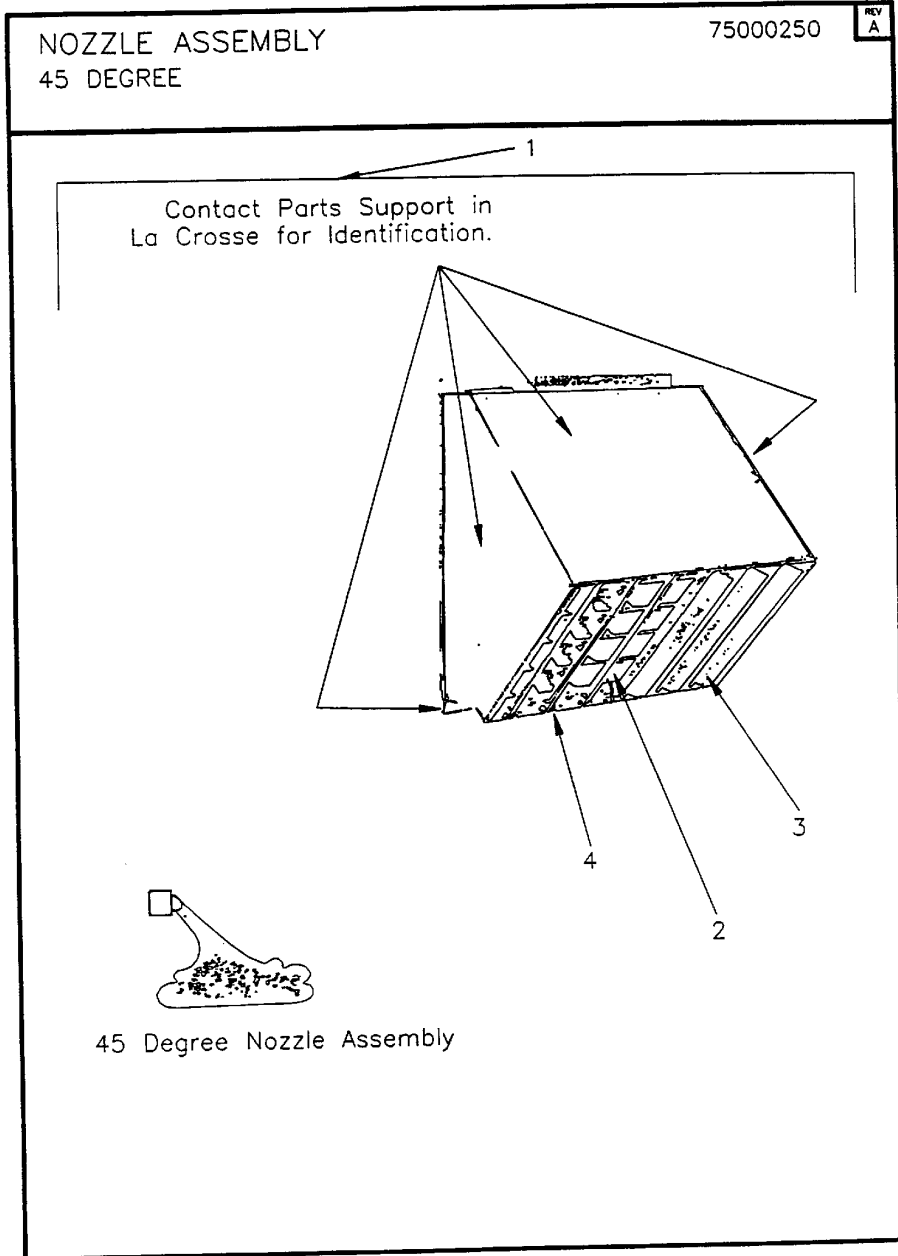
Part No.	Reference No.	Quantity	Description
KIT07977	1	1	KIT; DRAFTOR, 30 DEGREE NOZZLE FOR SIZE 125/150 UNIT
SCR00964	2	8	SCREW; #8, 1/2 IN. LG. SELF TAPPING
SCR00769	3	0	SCREW; #8, PHILIPS PAN HEAD, 1/2 IN. LG.



Parts List Number :GAND2001#GANDUP2

Model Number :GAND015ADG10000

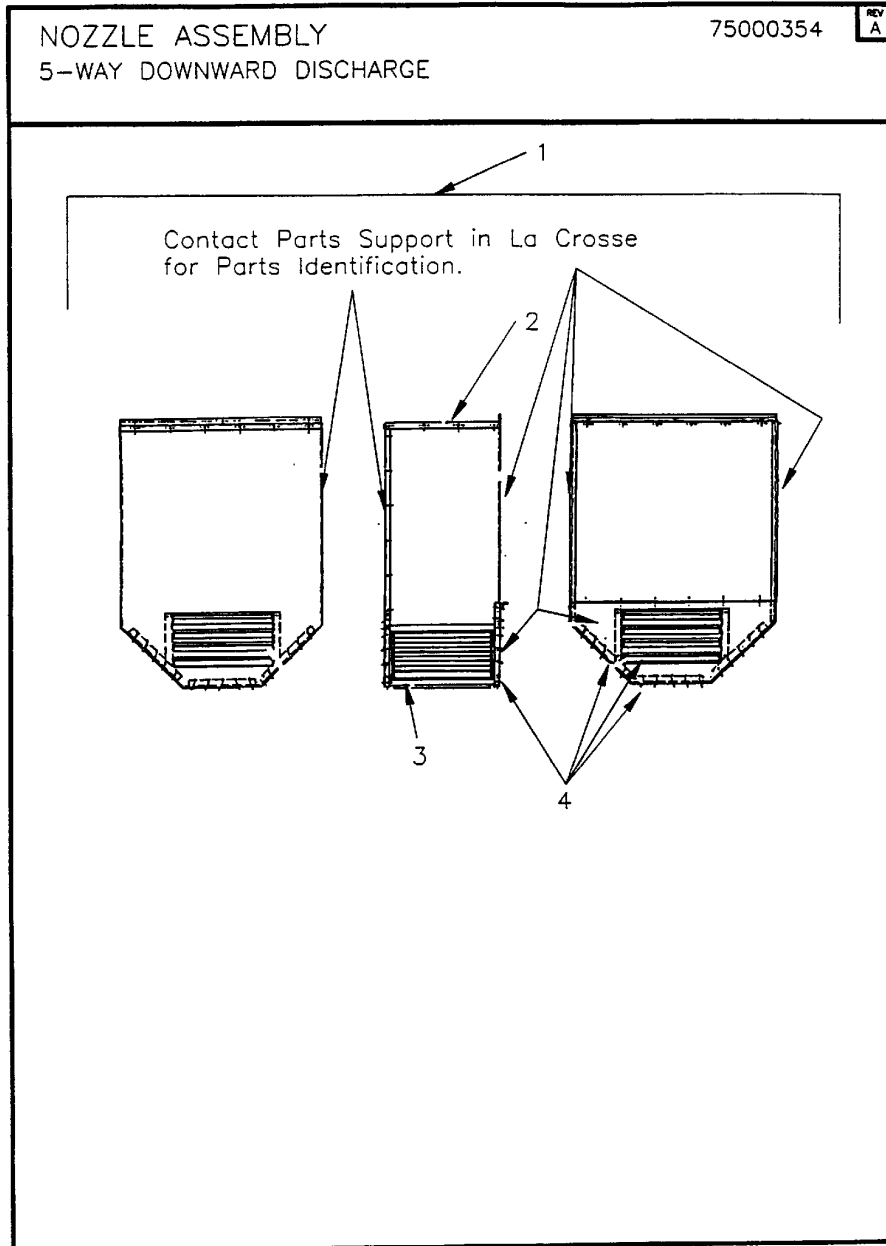
Part No.	Reference No.	Quantity	Description
75000250_GANDUP2_124962~P	*		45 DEGREE NOZZLE ASSEMBLY PARTS LIST



Parts List Number :GAND2001#GANDUP2

Model Number :GAND015ADG10000

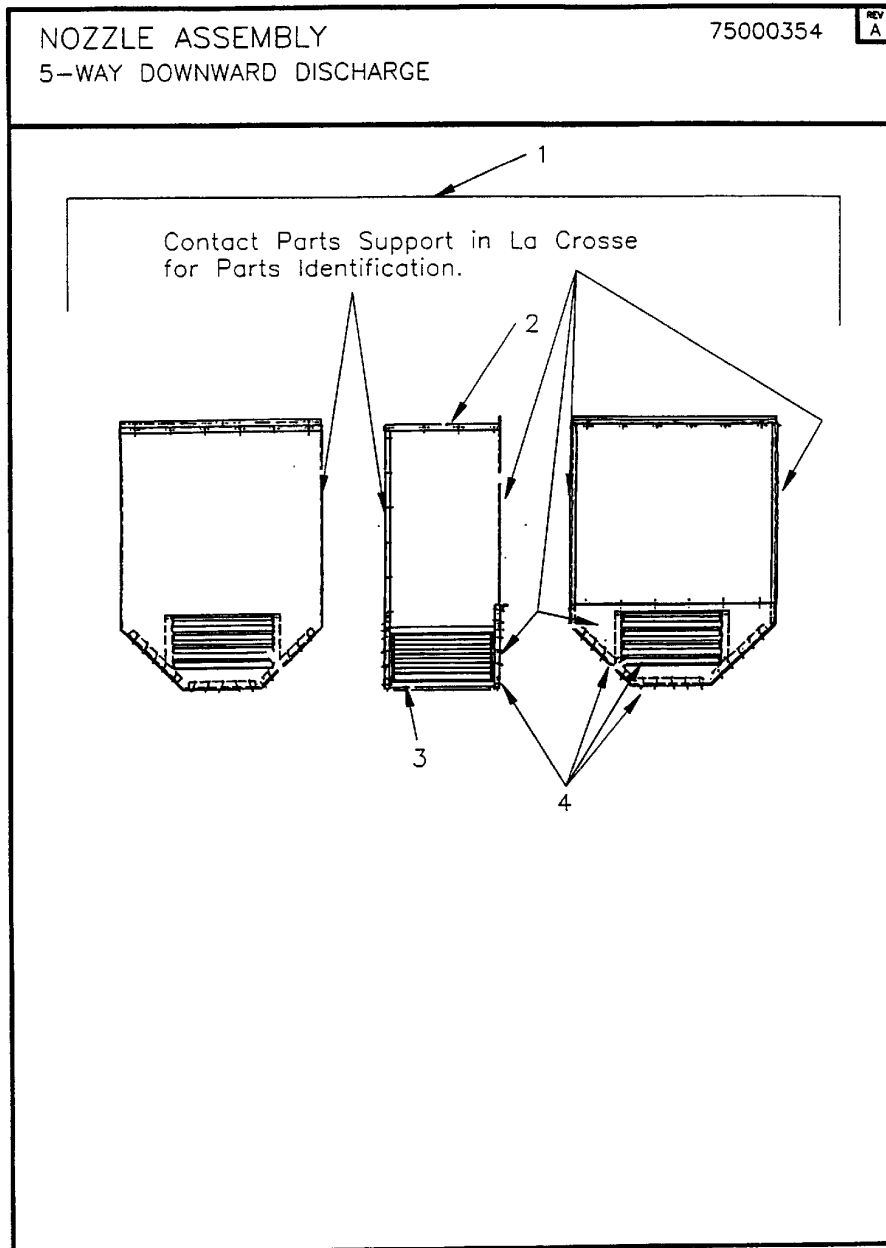
Part No.	Reference No.	Quantity	Description
LVR00023	2	5	LOUVER; HORIZONTAL, DARK GRAY COLOR ORDER PAI0061 AND REPAINT IF EXE. BEIGE REQUIRED
LVR00060	3	6	LOUVER; NOZZLE VERTICAL, OPTIONAL(CAN BE USED HORIZONTALLY OR VERTICALLY)
SPG00194	4	11	SPRING; CONE, ADJUSTABLE LOUVERS FOR HORZ. AND VERT.(ORDER QTY EQUALS PIECES)



Parts List Number :GAND2001#GANDUP2

Model Number :GAND015ADG10000

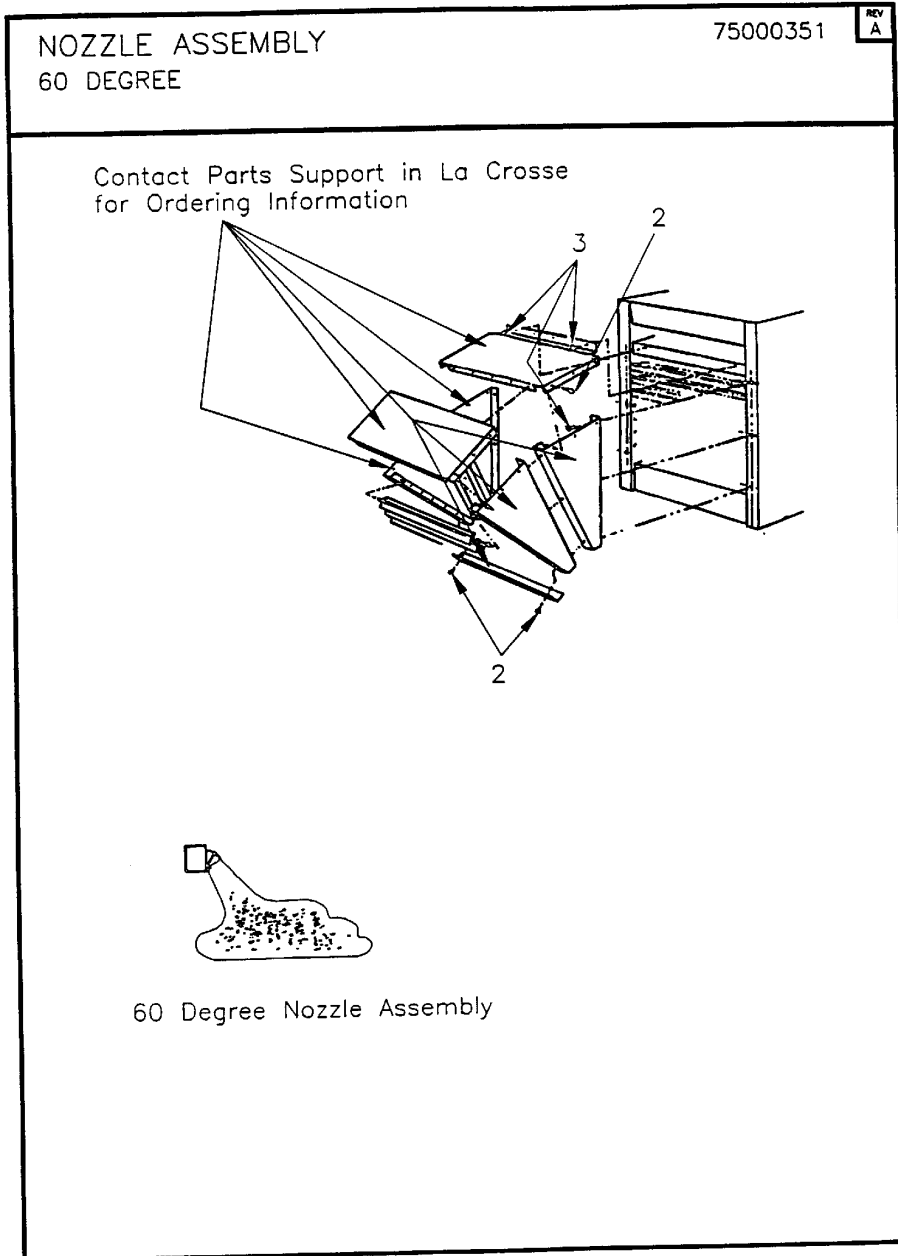
Part No.	Reference No.	Quantity	Description
75000354_GANDUP2_124967~P	*		5-WAY DOWNWARD DISCHARGE ASSEMBLY PARTS LIST



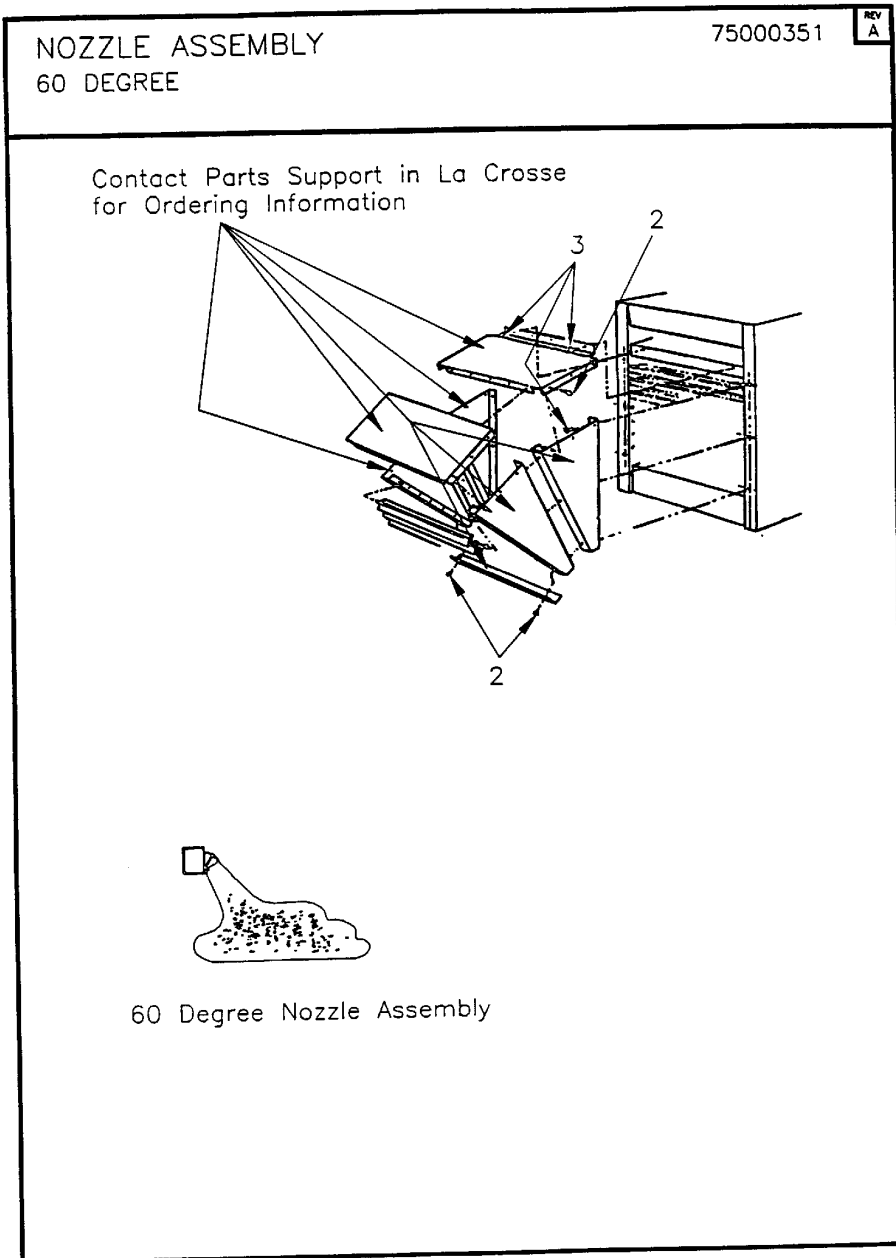
Parts List Number :GAND2001#GANDUP2

Model Number :GAND015ADG10000

Part No.	Reference No.	Quantity	Description
KIT01665	1	1	KIT; Y SPLITTER NOZZLE: LOUVERS, SHEET METAL, SPRINGS
LVR00020	2	6	LOUVER; VERTICAL, ORDER QTY IS PIECES
LVR00061	3	12	LOUVER; HORIZONTAL NOZZLE
SPG00194	4	18	SPRING; CONE, ADJUSTABLE LOUVERS FOR HORZ. AND VERT.(ORDER QTY EQUALS PIECES)



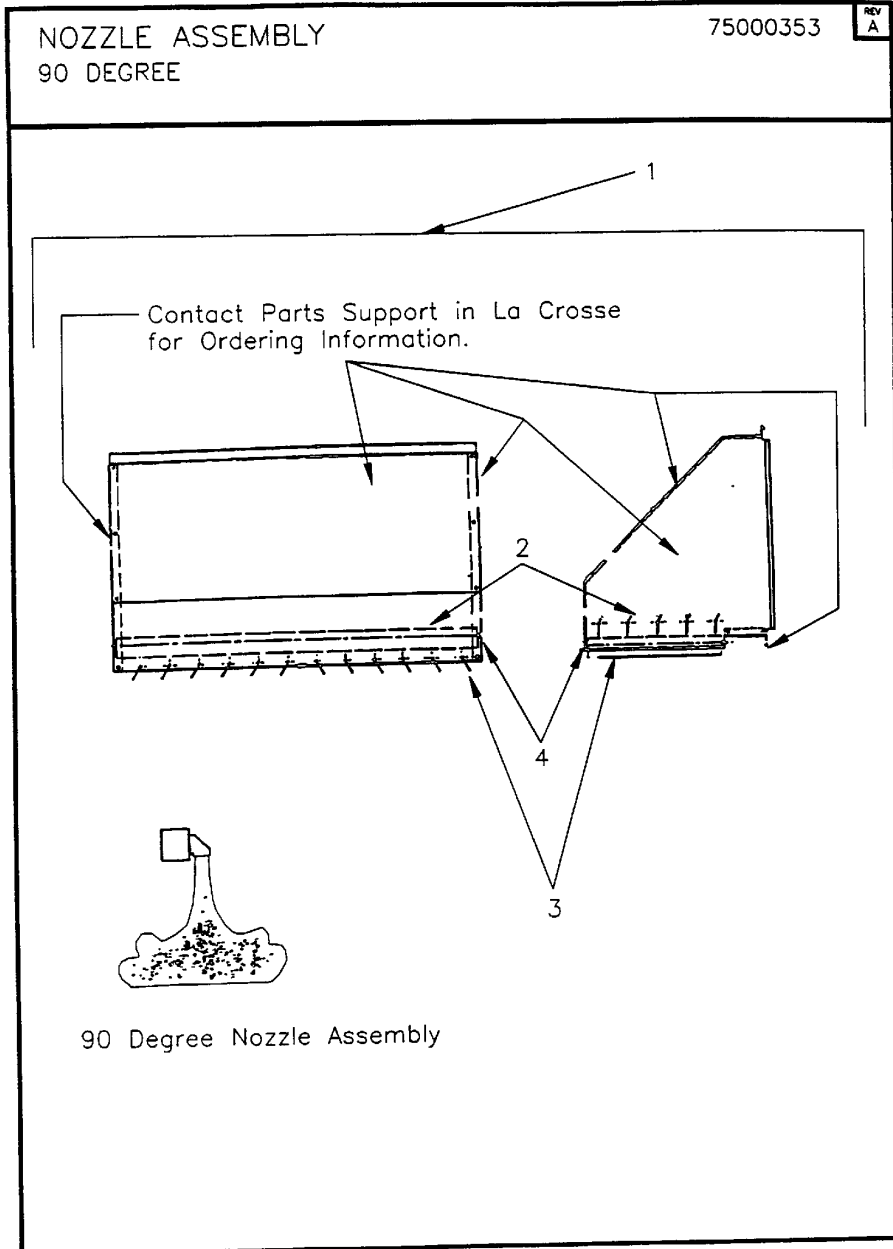
Part No.	Reference No.	Quantity	Description
75000351_GANDUP2_124963~P	*		60 DEGREE NOZZLE ASSEMBLY PARTS LIST



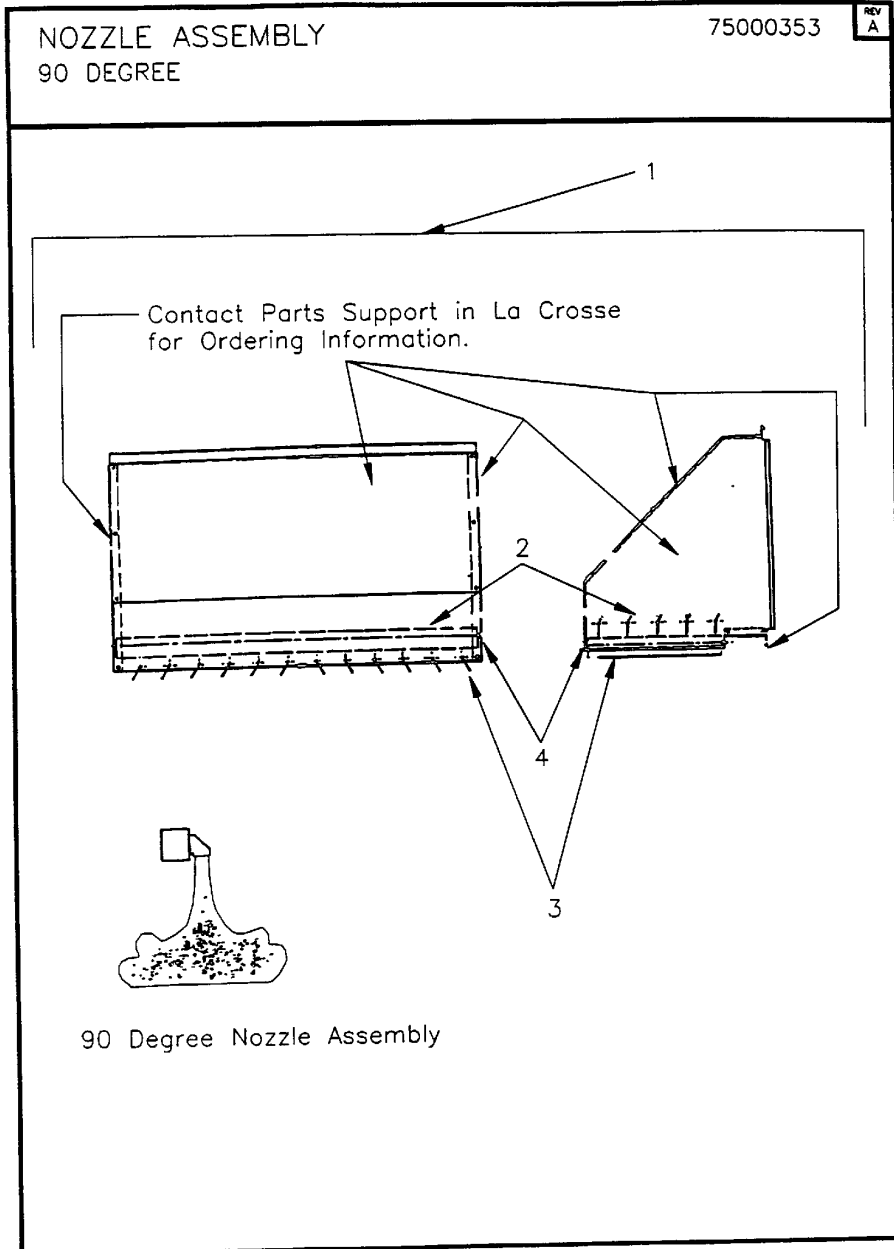
Parts List Number :GAND2001#GANDUP2

Model Number :GAND015ADG10000

Part No.	Reference No.	Quantity	Description
KIT07985	1	1	KIT; DRAFTOR, 60 DEGREE NOZZLE FOR SIZE 125/150 UNIT
SCR00964	2	22	SCREW; #8, 1/2 IN. LG. SELF TAPPING
SCR00769	3	22	SCREW; #8, PHILIPS PAN HEAD, 1/2 IN. LG.



Part No.	Reference No.	Quantity	Description
75000353_GANDUP2_124966~P	*		90 DEGREE NOZZLE ASSEMBLY PARTS LIST



Parts List Number :GAND2001#GANDUP2

Model Number :GAND015ADG10000

Part No.	Reference No.	Quantity	Description
KIT08045	1	1	KIT; DRAFTOR, 90 DEGREE NOZZLE FOR SIZE 125/150 UNIT
LVR00023	2	5	LOUVER; HORIZONTAL, DARK GRAY COLOR ORDER PAI0061 AND REPAINT IF EXE. BEIGE REQUIRED
LVR00060	3	6	LOUVER; NOZZLE VERTICAL, OPTIONAL(CAN BE USED HORIZONTALLY OR VERTICALLY)
SPG00194	4	11	SPRING; CONE, ADJUSTABLE LOUVERS FOR HORZ. AND VERT.(ORDER QTY EQUALS PIECES)

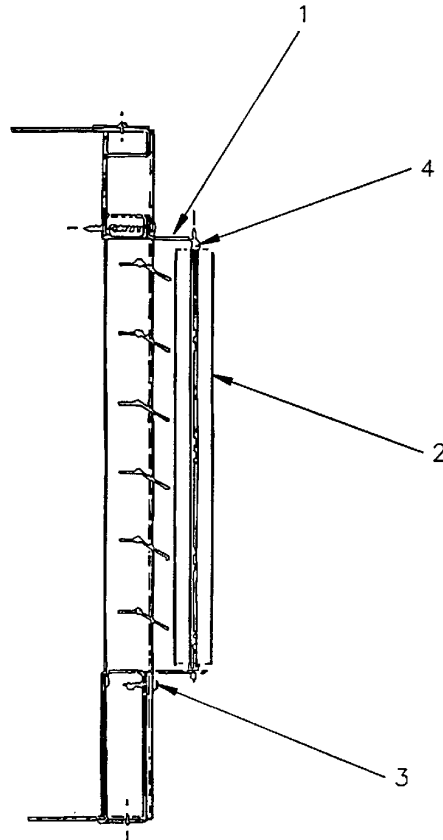
VERTICAL LOUVERS

75000232

REV
A

Digit 15 = E

NOTE: This is the illustration for a 75 MBh Unit. The Unit in the field may not appear exactly as shown.



Part No.	Reference No.	Quantity	Description
75000232_GANDUP2_197599~P	*		VERTICAL LOUVERS PARTS LIST

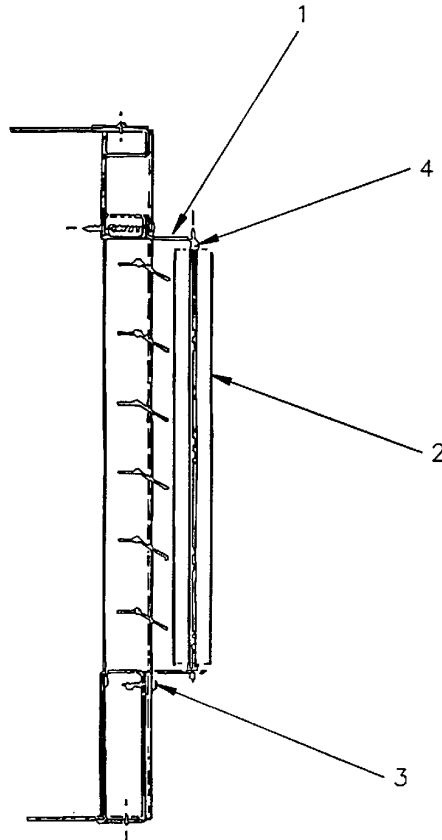
VERTICAL LOUVERS

75000232





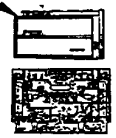




REV
A

Digit 15 = E





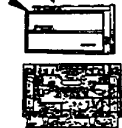




NOTE: This is the illustration for a 75 MBh Unit. The Unit in the field may not appear exactly as shown.



Part No.	Reference No.	Quantity	Description
KIT01596	*	1	KIT; VERTICAL LOUVER: LOUVERS, BRACKETS, SPRINGS, SCREWS
SCR00769	3	0	SCREW; #8, PHILIPS PAN HEAD, 1/2 IN. LG.
SPG00194	4	7	SPRING; CONE, ADJUSTABLE LOUVERS FOR HORZ. AND VERT.(ORDER QTY EQUALS PIECES)

THERMOSTATS AND THERMOSTAT GUARDS 75000355		REV A	
 <p>1</p>	<p>THT0440 Single-Stage Room Thermostat (Sales #350-0015-01) -Low Voltage (24V) -55 to 95 F Range -2 7/8 W x 4 3/4 H x 1 1/8</p>	 <p>2</p>	<p>*THT0588 Single-Stage Room Thermostat (Sales #350-0015-04) -Line Voltage (120-240V) -55 to 95 F Range -3 1/4 W x 5 7/16 H x 1 3/16</p>
 <p>3</p>	<p>THT0442 Single-Stage Room Thermostat with Summer/Winter Switch (Sales #350-0015-02) -Low Voltage (24V) -56 to 94 F Range -Fan Auto-On Switch 3 1/2 x 4 1/5 x 1 3/8</p>	 <p>4</p>	<p>THT0445 Single-Stage Duct Thermostat (Sales #350-0015-07) -Low Voltage (24V) -55 to 175 F Range 5' Capillary 2 x 5 5/8 x 2 7/16</p>
 <p>5</p>	<p>*THT0584 & BAS0429 Two-Stage Room Thermostat (Sales #350-0015-03) -Low Voltage (24V) -42 to 88 F Range -Fan Auto-On Switch -System Off-Auto Switch -5 5/8 x 3 1/2 x 2 1/8</p>	 <p>6</p>	<p>8</p> 
 <p>7</p>	<p>THT0446 Two-Stage Duct Thermostat (Sales #350-0015-08) -Low Voltage (24V) -55 to 175 F Range -5' Capillary 2 x 5 5/8 x 2 7/16</p>		<p>*COV1006 Universal Guard (Sales #350-0015-06) -Clear Plastic -Ring Base -Tumbler Lock & Two Keys -Cover: 6 7/8 x 5 5/8 x 3 -Base: 6 9/16 x 5 1/2 x 3/8</p>
<p>*Part Number is a Functional Replacement. If Functional Replacement specifications and illustration are needed, See Parts Catalog, Thermostat Section, Literature #RSP-TS-45.1.</p>			

Part No.	Reference No.	Quantity	Description
75000355_GANDUP2_124969~P	*		THERMOSTATS & GUARD PARTS LIST

THERMOSTATS AND THERMOSTAT GUARDS 75000355		REV A	
 <p>1</p>	<p>THT0440 Single-Stage Room Thermostat (Sales #350-0015-01) -Low Voltage (24V) -55 to 95 F Range -2 7/8 W x 4 3/4 H x 1 1/8</p>	 <p>2</p>	<p>* THT0588 Single-Stage Room Thermostat (Sales #350-0015-04) -Line Voltage (120-240V) -55 to 95 F Range -3 1/4 W x 5 7/16 H x 1 3/16</p>
 <p>3</p>	<p>THT0442 Single-Stage Room Thermostat with Summer/Winter Switch (Sales #350-0015-02) -Low Voltage (24V) -56 to 94 F Range -Fan Auto-On Switch 3 1/2 x 4 1/5 x 1 3/8</p>	 <p>4</p>	<p>THT0445 Single-Stage Duct Thermostat (Sales #350-0015-07) -Low Voltage (24V) -55 to 175 F Range 5' Capillary 2 x 5 5/8 x 2 7/16</p>
 <p>5</p>	<p>* THT0584 & BAS0429 Two-Stage Room Thermostat (Sales #350-0015-03) -Low Voltage (24V) -42 to 88 F Range -Fan Auto-On Switch -System Off-Auto Switch -5 5/8 x 3 1/2 x 2 1/8</p>	 <p>6</p>	<p>8</p> 
 <p>7</p>	<p>THT0446 Two-Stage Duct Thermostat (Sales #350-0015-08) -Low Voltage (24V) -55 to 175 F Range -5' Capillary 2 x 5 5/8 x 2 7/16</p>	 <p>8</p>	<p>* COV1006 Universal Guard (Sales #350-0015-06) -Clear Plastic -Ring Base -Tumbler Lock & Two Keys -Cover: 6 7/8 x 5 5/8 x 3 -Base: 6 9/16 x 5 1/2 x 3/8</p>
<p>*Part Number is a Functional Replacement. If Functional Replacement specifications and illustration are needed, See Parts Catalog, Thermostat Section, Literature #RSP-TS-45.1.</p>			

Part No.	Reference No.	Quantity	Description
THT00440	1	1	THERMOSTAT; 1 STAGE LOW VOLTAGE HEATING, .18 TO .8 AMPS OR .32 TO 1.2 AMPS AT 30 VAC, DIMENSIONS: 4.75 X 2.875 X 1.125, CONTAINS MERCURY
THT00588	2	1	THERMOSTAT; LINE VOLTAGE, HEATING ONLY-NO SYSTEM SWITCHING, T451 THERMOSTAT FOR HEATING ONLY, COMBINE T451 THERMOSTAT WITH Q473 SUBBASES TO OBTAIN MANUAL SYSTEM SWITCHING
THT00442	3	1	THERMOSTAT; CONTAINS MERCURY
THT00445	4	1	THERMOSTAT; SINGLE STAGE, DUCTSTAT 55-175 F
THT00584	5	1	THERMOSTAT; MULTISTAGE, 2 STG HEATING, TEMP RANGE 42 F TO 88 F STD, 24-30 VAC, CONTAINS MERCURY
BAS00429	6	1	BASE; SUB, THERMOSTAT, OFF/AUTO SYSTEM SWITCH, AUTO/ON FAN SWITCH 24 TO 30 VAC ELECTRICAL RATING, TEMP RANGE OF 42F TO 88F STANDARD, HORIZONTAL WALL OR OUTLET BOX MOUNT
THT00446	7	1	THERMOSTAT; 2 STAGE, DUCTSTAT 55-175 F
COV01006	8	1	COVER; KEYLOCK, UNIVERSAL

Part No.	Reference No.	Quantity	Description
GAND0214_GANDUP2_124976~ P	*		CANADIAN STANDARD VENT CAPS & ADAPTERS PARTS LIST

NO GRAPHIC AVAILABLE

75013702

REV
A

**NO
GRAPHIC
AVAILABLE**

Parts List Number :GAND2001#GANDUP2

Model Number :GAND015ADG10000

Part No.	Reference No.	Quantity	Description
ADP00489	*	1	ADAPTER;
CAP00548	*	1	CAP; 4 INCH VENT

MODEL NUMBER DESCRIPTION GAND, GAPD G A N D 0 1 0 A D C 1 0 0 0 A	75003048 <div style="border: 1px solid black; display: inline-block; padding: 2px;">REV B</div>
MODEL NUMBER DESCRIPTION G A N D 0 1 0 A D C 1 0 0 0 A 1 2 3 4 5 6 7 8 9 10 11 12 13 15 15-2B	
<p>DIGIT 1 - GAS HEATING PRODUCTS</p> <p>DIGIT 2 - UNIT TYPE A = Separated Combustion Propeller Fan Unit Heater S = Special</p> <p>DIGIT 3 = FUEL N = Natural P = LP Gas (Propane)</p> <p>DIGIT 4 = DEVELOPMENT SEQUENCE D = Fourth Generation</p> <p>DIGIT 5,6,7 = INPUT CAPACITY 010 = 100 MBh 022 = 220 MBh 012 = 125 MBh 025 = 250 MBh 015 = 150 MBh 030 = 300 MBh 017 = 170 MBh 035 = 350 MBh 020 = 200 MBh 400 = 400 MBh</p> <p>DIGIT 8 = MAIN POWER SUPPLY A = 115/60/1 D = 230/60/3 B = 230/60/1 E = 460/60/3 C = 208/60/3 S = Special</p> <p>DIGIT 9 = GAS CONTROL OPTION A = Single-Stage Standing Pilot C = Hydraulic Modulating Standing Pilot* D = Single-Stage, Intermittent Pilot Ignition E = Two-Stage Intermittent Pilot Ignition F = Hydraulic Modulating Inter. Pilot Ign. 60-100°F Only G = Hydraulic Modulating With Bypass, Inter. Pilot Ign. 60-100°F Only H = Electronic Modulating With Room Stat, Intermittent Pilot Ignition J = Electronic Modulating With Duct-Stat, Intermittent Pilot Ignition K = Single Stage, Hot Surface Pilot Ignition L = Electronic Modulating With Ext. 4-20mA Input N = Electronic Modulating With Ext. 0-10VDC Input P = Hydraulic Modulating Inter. Pilot Ign. (75-150°F) R = Hydraulic Modulating With Bypass Inter. Pilot Ign. (75-150°F) S = Special</p> <p>*Specify discharge temperature</p>	<p>DIGIT 10 = DESIGN SEQUENCE D = Forth Design E = Fifth Design</p> <p>DIGIT 11 = HEAT EXCHANGER MATERIAL 1 = Aluminized Steel 2 = #409 Stainless Steel 3 = #321 Stainless Steel S = Special</p> <p>DIGIT 12 = ROOFTOP ARRANGEMENTS 0 = None (Indoor Unit) S = Special</p> <p>DIGIT 13 = ROOFTOP HEATING UNIT MOTOR SELECTION 0 = None (Indoor Unit) S = Special</p> <p>DIGIT 14 = ROOFTOP FAN SECTION 0 = None S = Special</p> <p>DIGIT 15-30 = MISCELLANEOUS 0 = None A = #409 Stainless Steel Burners B = Orifices For Elevation Above 2000 Ft (Specify Elevation) C = #409 Stainless Steel Draft Diverter D = Summer-Winter Switch E = Vertical Louvers J = Totally Enclosed Motor 7 = OSHA Fan Guard</p>

Part No.	Reference No.	Quantity	Description
75003048_GANDUP2_124974~P	*		MODEL NUMBER DESCRIPTION PARTS LIST

<p>MODEL NUMBER DESCRIPTION</p> <p>GAND, GAPD</p> <p>G A N D 0 1 0 A D C 1 0 0 0 A</p>	<p>75003048</p> <p style="text-align: right; border: 1px solid black; padding: 2px;">REV B</p>																
<p>MODEL NUMBER DESCRIPTION</p> <p>G A N D 0 1 0 A D C 1 0 0 0 A</p> <p>1 2 3 4 5 6 7 8 9 10 11 12 13 15 15-2B</p>																	
<p>DIGIT 1 - GAS HEATING PRODUCTS</p> <p>DIGIT 2 - UNIT TYPE</p> <p>A = Separated Combustion Propeller Fan Unit Heater</p> <p>S = Special</p> <p>DIGIT 3 = FUEL</p> <p>N = Natural</p> <p>P = LP Gas (Propane)</p> <p>DIGIT 4 = DEVELOPMENT SEQUENCE</p> <p>D = Fourth Generation</p> <p>DIGIT 5,6,7 = INPUT CAPACITY</p> <table style="font-size: small;"> <tr> <td>O10 = 100 MBh</td> <td>O22 = 220 MBh</td> </tr> <tr> <td>O12 = 125 MBh</td> <td>O25 = 250 MBh</td> </tr> <tr> <td>O15 = 150 MBh</td> <td>O30 = 300 MBh</td> </tr> <tr> <td>O17 = 170 MBh</td> <td>O35 = 350 MBh</td> </tr> <tr> <td>O20 = 200 MBh</td> <td>400 = 400 MBh</td> </tr> </table> <p>DIGIT 8 = MAIN POWER SUPPLY</p> <table style="font-size: small;"> <tr> <td>A = 115/60/1</td> <td>D = 230/60/3</td> </tr> <tr> <td>B = 230/60/1</td> <td>E = 460/60/3</td> </tr> <tr> <td>C = 208/60/3</td> <td>S = Special</td> </tr> </table> <p>DIGIT 9 = GAS CONTROL OPTION</p> <p>A = Single-Stage Standing Pilot</p> <p>C = Hydraulic Modulating Standing Pilot*</p> <p>D = Single-Stage, Intermittent Pilot Ignition</p> <p>E = Two-Stage Intermittent Pilot Ignition</p> <p>F = Hydraulic Modulating Inter. Pilot Ign. 60-100°F Only</p> <p>G = Hydraulic Modulating With Bypass, Inter. Pilot Ign. 60-100°F Only</p> <p>H = Electronic Modulating With Room Stat, Intermittent Pilot Ignition</p> <p>J = Electronic Modulating With Duct-Stat, Intermittent Pilot Ignition</p> <p>K = Single Stage, Hot Surface Pilot Ignition</p> <p>L = Electronic Modulating With Ext. 4-20mA Input</p> <p>N = Electronic Modulating With Ext. 0-10VDC Input</p> <p>P = Hydraulic Modulating Inter. Pilot Ign. (75-150°F)</p> <p>R = Hydraulic Modulating With Bypass Inter. Pilot Ign. (75-150°F)</p> <p>S = Special</p>	O10 = 100 MBh	O22 = 220 MBh	O12 = 125 MBh	O25 = 250 MBh	O15 = 150 MBh	O30 = 300 MBh	O17 = 170 MBh	O35 = 350 MBh	O20 = 200 MBh	400 = 400 MBh	A = 115/60/1	D = 230/60/3	B = 230/60/1	E = 460/60/3	C = 208/60/3	S = Special	<p>DIGIT 10 = DESIGN SEQUENCE</p> <p>D = Forth Design E = Fifth Design</p> <p>DIGIT 11 = HEAT EXCHANGER MATERIAL</p> <p>1 = Aluminized Steel</p> <p>2 = #409 Stainless Steel</p> <p>3 = #321 Stainless Steel</p> <p>S = Special</p> <p>DIGIT 12 = ROOFTOP ARRANGEMENTS</p> <p>0 = None (Indoor Unit)</p> <p>S = Special</p> <p>DIGIT 13 = ROOFTOP HEATING UNIT MOTOR SELECTION</p> <p>0 = None (Indoor Unit)</p> <p>S = Special</p> <p>DIGIT 14 = ROOFTOP FAN SECTION</p> <p>0 = None S = Special</p> <p>DIGIT 15-30 = MISCELLANEOUS</p> <p>0 = None</p> <p>A = #409 Stainless Steel Burners</p> <p>B = Orifices For Elevation Above 2000 Ft (Specify Elevation)</p> <p>C = #409 Stainless Steel Draft Diverter</p> <p>D = Summer-Winter Switch</p> <p>E = Vertical Louvers</p> <p>J = Totally Enclosed Motor</p> <p>7 = OSHA Fan Guard</p>
O10 = 100 MBh	O22 = 220 MBh																
O12 = 125 MBh	O25 = 250 MBh																
O15 = 150 MBh	O30 = 300 MBh																
O17 = 170 MBh	O35 = 350 MBh																
O20 = 200 MBh	400 = 400 MBh																
A = 115/60/1	D = 230/60/3																
B = 230/60/1	E = 460/60/3																
C = 208/60/3	S = Special																
<p>*Specify discharge temperature</p>																	

