

AIR HANDLER

75010505

REV
A

TYPICAL ILLUSTRATION



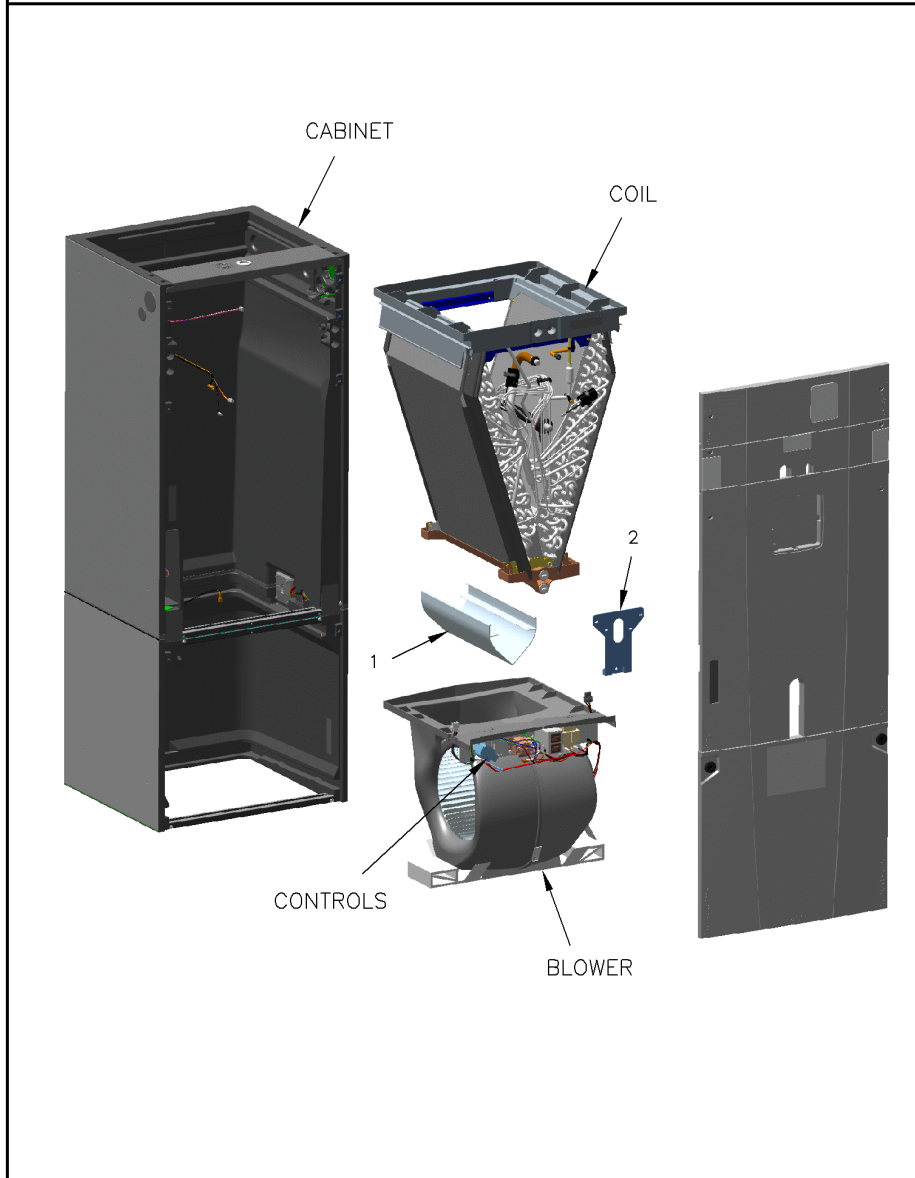
Part No.	Reference No.	Quantity	Description
75010505_GAM5BUP2_299377~ P	*		AIR HANDLER PARTS LIST
75010504#GAM5BUP2~S	*		BLOWER
75010506#GAM5BUP2~S	*		CABINET
75010534#GAM5BUP2~S	*		COIL
75010527#GAM5BUP2~S	*		CONTROLS
75010531#GAM5BUP2~S	*		MODEL NUMBER DESCRIPTION
OPTIONS#GAM5BUP2~S	*		OPTIONAL ACCESSORIES

AIR HANDLER

75010505

REV
A

TYPICAL ILLUSTRATION



Part No.	Reference No.	Quantity	Description
BUS00324	*	1	BUSHING; SNAP, .562 OD, .50 MOUNTING HOLE DIAMETER, BLACK NYLON .135 THICK
GRM01009	*	1	GROMMET; 3/8 INCH LINE SET
GRM01010	*	1	GROMMET; 7/8 INCH LINE SET
PAI00248	*	1	PAINT; 12 OZ SPRAY, ANTHRACITE GRAY (SHIPPING UOM 12 OZ HAZ)
PLU01169	*	1	PLUG; THREADED 3/4
WIR06512	*	1	WIRE; HARNESS, JUNCTION, 16 AWG, 3 PIN, (BK,RD,GR) 12 IN LENGTH
DIV00226	1	1	DIVERter; AIR DIVERter 14.8T X 5.9W X 4.9T
PLT05234	2	1	PLATE; SEAL 6.3 X 7.3 BLACK

BLOWER

75010504

REV
A

TYPICAL ILLUSTRATION



Part No.	Reference No.	Quantity	Description
75010504_GAM5BUP2_299379~ P	*		BLOWER PARTS LIST

BLOWER

75010504

REV
A

TYPICAL ILLUSTRATION



Part No.	Reference No.	Quantity	Description
CMP01415	1	4	CLAMP; BLOWER HOUSING CLEAT
WHL02915	2	1	WHEEL; BLOWER, 11.7 IN DIA X 10.6 IN WIDE, 0.50 IN BORE, CW ROTATION
HUS03894	3	1	HOUSING; MOLDED BLOWER, INCLUDES LEFT & RIGHT MOLDED HALF & CLP01123 QTY OF 5
MOT13910	4	1	MOTOR; CONSTANT TORQUE, 1 HP, 230/60/1, 1050-400 RPM, CCW
NUT01063	5	1	NUT; LOCKING NYLON
SCR01584	5	1	BOLT; 1/4-20 MA HX 1.5 S
BND00910	6	1	BAND; MOTOR MOUNT
BRK04223	7	3	BRACKET; MOTOR ARM
SCR02112	8	3	SCREW; ASSEMBLY-MOTOR MOUNT

CABINET

75010506

REV.
A

TYPICAL ILLUSTRATION



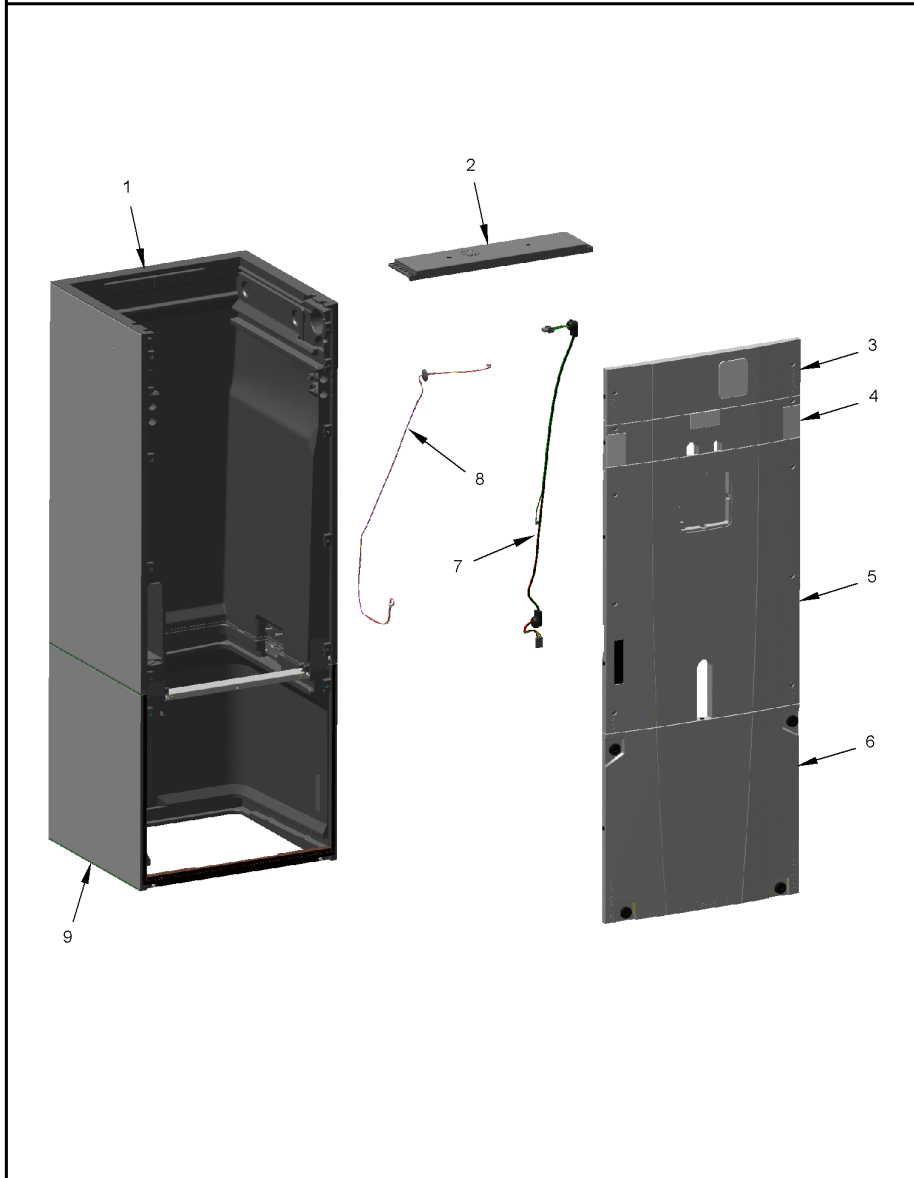
Part No.	Reference No.	Quantity	Description
75010506_GAM5BUP2_299380~ P	*		CABINET PARTS LIST

CABINET

75010506

REV.
A

TYPICAL ILLUSTRATION



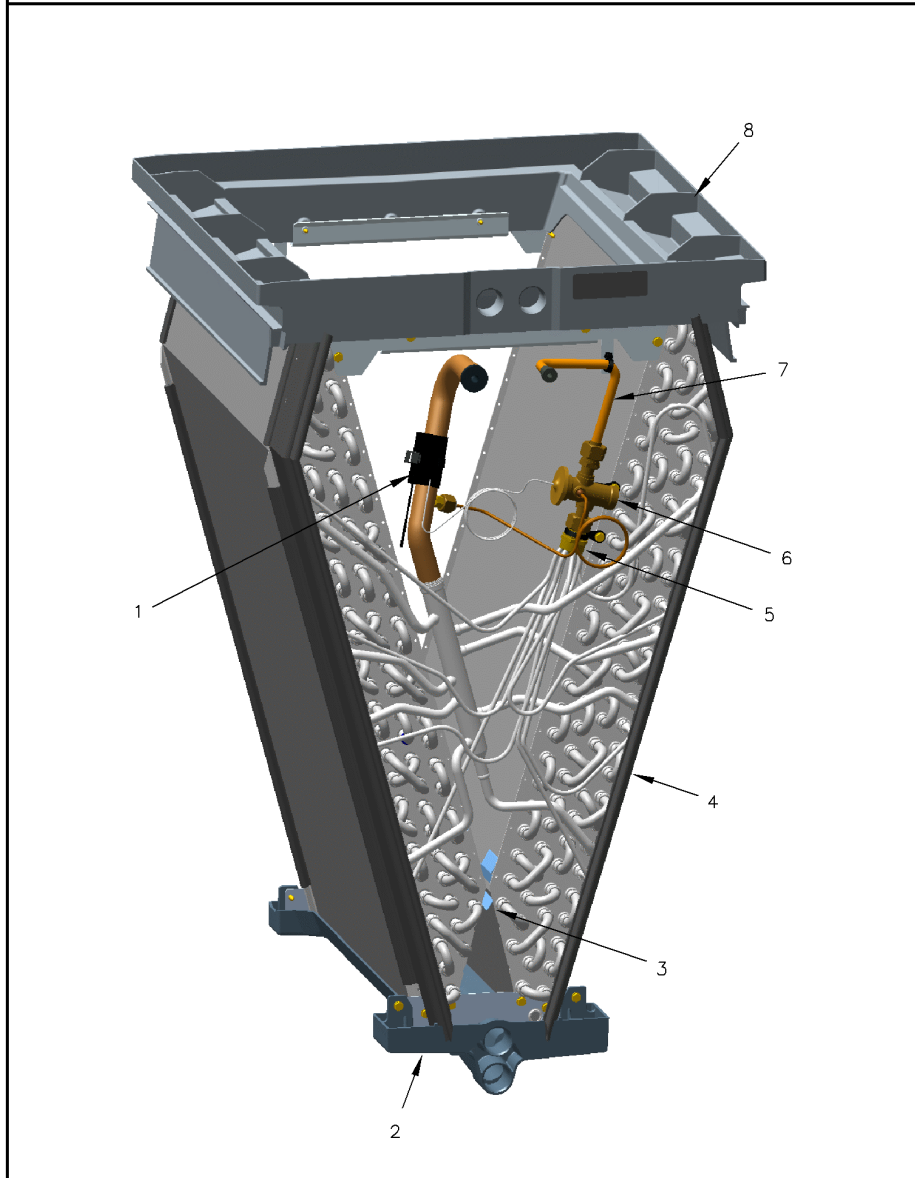
Part No.	Reference No.	Quantity	Description
KIT15812	*	1	KIT; LATCH BAIL QTR TURN PANEL MOUNTING HARDWARE (BLOWER DOOR)
KIT15813	*	1	KIT; LATCH QTR TURN PANEL MOUNTING HARDWARE (HEATER DOOR)
KIT15955	*	1	KIT; RECEPTACLE 1/2 TURN FASTENER, INCLUDES 24 PIECES
LAT00885	*	1	LATCH; RECEPTACLE ROTARY
LAT00887	*	1	LATCH; RECEPTACLE ROTARY
CBT01800	1	1	CAB-COIL; C6-6; SUB
PNL31498	2	1	PANEL; TOP
PNL31441	3	1	PANEL; HEATER ACCESS
WAS01176	3	2	WASHER; BLACK RUBBER, 0.75 OUTER DIA X 0.17 INNER DIA X 0.093 THICK
COV04331	4	2	COVER; CONDENSATE HORIZONTAL, 3.8 X 2.7
COV04332	4	1	COVER; CONDENSATE DOWN FLOW, 3.4 X 1.6
PNL31437	4	1	PANEL; FIXED
WAS01176	4	2	WASHER; BLACK RUBBER, 0.75 OUTER DIA X 0.17 INNER DIA X 0.093 THICK
COV04327	5	1	COVER; CLEAR LED COVER 4.9 X 1.1
PNL31427	5	1	PANEL; COIL ACCESS
WAS01176	5	6	WASHER; BLACK RUBBER, 0.75 OUTER DIA X 0.17 INNER DIA X 0.093 THICK
PNL31433	6	1	PANEL; BLOWER ACCESS
WIR07383	7	1	WIRE; HARNESS, CONTROL BOX, HIGH VOLT, 50 IN LENGTH, 3 WIRES-16 AWG (BK,GR,RD), 1 WIRE-18 AWG (GR)
WIR07396	8	1	WIRE; HARNESS, STAT HEAT CONTROL, 68 IN LENGTH, 4 WIRES-22 AWG (BR,PK,PR,WH)
CBT01631	9	1	CAB-BLOWER; C; SUB
WAS01176	9	4	WASHER; BLACK RUBBER, 0.75 OUTER DIA X 0.17 INNER DIA X 0.093 THICK

COIL

75010534

REV.
A

TYPICAL ILLUSTRATION



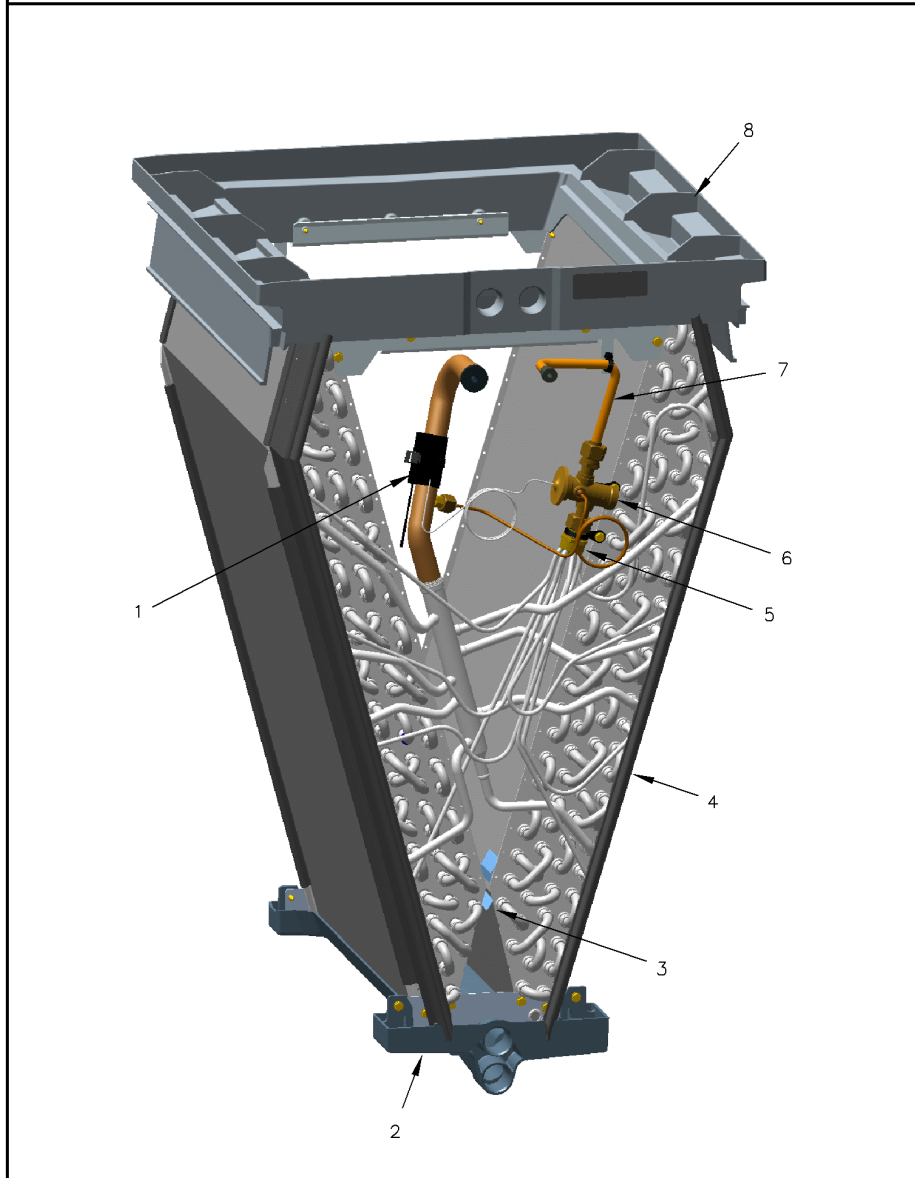
Part No.	Reference No.	Quantity	Description
75010534_GAM5BUP2_304741~ P	*		COIL PARTS LIST

COIL

75010534

REV.
A

TYPICAL ILLUSTRATION



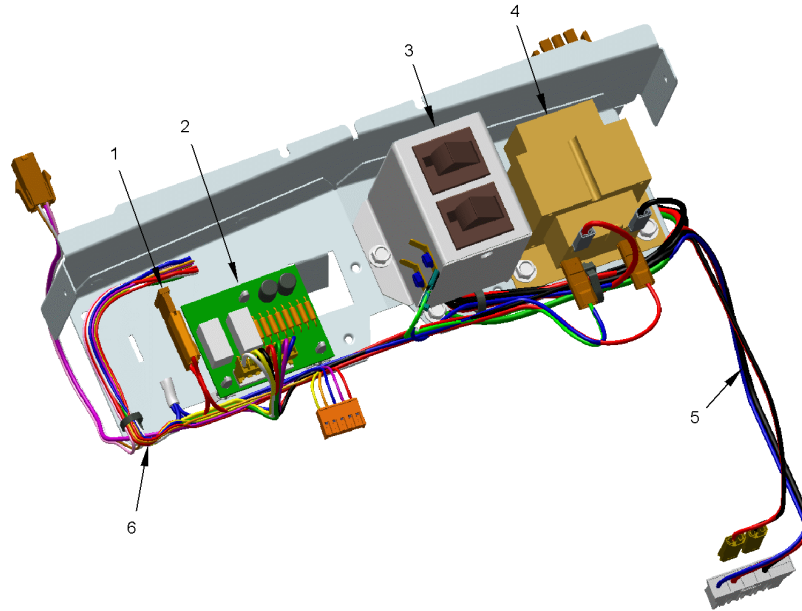
Part No.	Reference No.	Quantity	Description
BAF01363	*	1	BAFFLE; COIL FRONT BAFFLE KIT, INCLUDES RIGHT AND LEFT BAFFLE
BAF01371	*	1	BAFFLE; COIL REAR BAFFLE KIT, INCLUDES RIGHT AND LEFT BAFFLE
NUT01223	*	1	NUT; HEX NUT, 7/8, 3/4-20-2B UNEF THREAD
PLU01169	*	2	PLUG; THREADED 3/4
WAS01180	*	2	WASHER; TEFLON, 0.46 ID X 0.56 OD X 0.056 THK
CLP01073	1	1	CLIP; BULB (RED)
PAN03097	2	1	PAN; DRAIN UP FLOW, 19.5 X 8.3
DIV00329	3	1	DIVERTER; WATER, 16.31 L X 1.30 W X 1.97 H
COL19090	4	1	COIL: COIL ONLY, BLACK EPOXY
VAL11008	5	1	VALVE: TXV EXPANSION VALVE ASSEMBLY
VAL11158	6	1	VALVE; EXPANSION, 6 TON, 3/4 INLET/OUTLET WITH MECHANICAL FITTINGS, 140.8 PSIG, 15 PERCENT BLEED PORT, 80 MESH OUTLET STRAINER
TUB13399	7	1	TUBE; LIQUID, WITH FLANGE, STRAINER, NUT01223 AND (2) WAS01180
PAN03095	8	1	PAN; DRAIN DOWN FLOW, 20.4 X 19.6

CONTROLS

75010527

REV.
A

TYPICAL ILLUSTRATION



Parts List Number :75010505#GAM5BUP2

Model Number :GAM5B0C60M51EAA

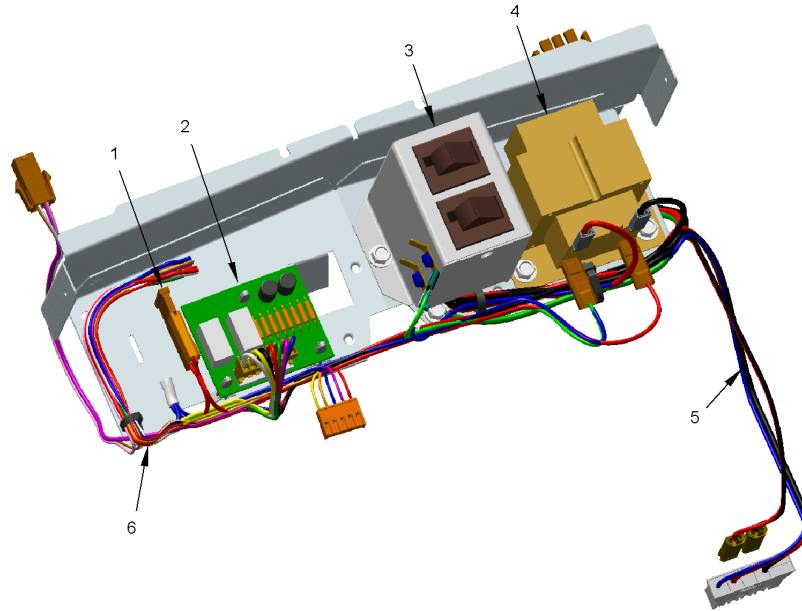
Part No.	Reference No.	Quantity	Description
75010527_GAM5BUP2_118010~ P	*		CONTROLS PARTS LIST

CONTROLS

75010527

REV.
A

TYPICAL ILLUSTRATION



Part No.	Reference No.	Quantity	Description
KIT16176	*	1	KIT; WIRE HARNESS HEATER, 24 VAC
PNL33663	*	1	PANEL; CONTROL MOUNT
FUS01089	1	1	FUSE; 5 AMP, TAN, AUTOMOTIVE STYLE
CNT06951	2	1	CONTROL; HIF CONTROL
SWT01714	3	2	SWITCH; DOOR SPST, 21 AMP, 125/250VAC
BRK04142	3a	1	BRACKET; DOOR SWITCH
TRR02266	4	1	TRANSFORMER; 50VA, 208/240V PRI, 24V SEC
WIR07391	5	1	WIRE; HARNESS, CONTROL BOX, HIGH VOLT, 17.5 IN LENGTH, 3 WIRES-16 AWG (BK,GR,RD), 5 WIRES-18 AWG (BK,BL,RD)
WIR07387	6	1	WIRE; HARNESS, CONTROL BOX, LOW VOLT, 30.5 LENGTH, 20 WIRES-20 AWG (BK,BL,BR,GR,GR/YL,OR,PK,PR,RD,WH,YL)

OPTIONAL ACCESSORIES

Parts List Number :75010505#GAM5BUP2

Model Number :GAM5B0C60M51EAA

Part No.	Reference No.	Quantity	Description
OPTIONS_GAM5BUP2_299384~ P	*		OPTIONAL ACCESSORIES PARTS LIST

NO GRAPHIC AVAILABLE

75013702

REV
A

**NO
GRAPHIC
AVAILABLE**

Part No.	Reference No.	Quantity	Description
BAYEAC10LG3AA	*	1	HEATER; 10 KW HEATER 208/240/3(BAYEAC10LG3AA)
BAYEABC15LG3AA	*	1	HEATER; 15 KW HEATER 208/240/3(BAYEABC15LG3AA)
FLR07870	*	1	FILTER; HIGH VELOCITY FILTER KIT 22 X 20 X 1 - 10 FILTERS (BAYFLR2220A)
HTR11104	*	1	HEATER; HEATER ASSY, 5KW , (BAYEAC05BK1AAA)
HTR11105	*	1	HEATER; HEATER ASSY, 5KW , (BAYEAC05LG1AAA)
HTR11106	*	1	HEATER; HEATER ASSY, 8KW , (BAYEAC08BK1AAA)
HTR11107	*	1	HEATER; HEATER ASSY, 8KW , (BAYEAC08LG1AAA)
HTR11108	*	1	HEATER; HEATER ASSY, 10KW , (BAYEAC10BK1AAA)
HTR11109	*	1	HEATER; HEATER ASSY, 10KW , (BAYEAC10LG1AAA)
HTR11110	*	1	HEATER; HEATER ASSY, 15KW , (BAYEABC15BK1AAA)
HTR11111	*	1	HEATER; HEATER ASSY, 20KW , (BAYEABC20BK1AAA)
HTR11112	*	1	HEATER; HEATER ASSY, 25KW , (BAYEACC25BK1AAA)
KIT15226	*	1	KIT; 23.5" CABINET MOUNTING STAND (TASB235)
KIT15765	*	1	KIT; DUCT FLANGE ASSEMBLY RETURN FOR CANINET C (BAYRETFLGCAA)
KIT15766	*	1	KIT; DUCT FLANGE ASSEMBLY SUPPLY FOR CANINET C (BAYSUPFLGCAA)
KIT15865	*	1	KIT; SIDE RETURN (BAYSRKIT100A)
KIT15866	*	1	KIT; HORIZONTAL HANGING (BAYHHKIT001A)
KIT15867	*	1	KIT; LOW VOLTAGE BOX (BAYLVKIT100A)
KIT15873	*	1	KIT; SINGLE POINT POWER ENTRY (BAYSPEKT200A)
KIT15973	*	1	KIT; INTERNAL CONDENSATE SWITCH (BAYICKKIT01A)
KIT16304	*	1	KIT; FIELD MOUNTED TXV (BAYATXV1836A)
KIT16305	*	1	KIT; FIELD MOUNTED TXV (BAYATXV4248A)
KIT16306	*	1	KIT; FIELD MOUNTED TXV (BAYATXV6060A)
KIT16607	*	1	KIT; HYDRONIC COIL ASSEMBLY (BAYWACC08SC1AA)
LIT01103	*	1	LIGHT; UV KIT (BAYUVCLK001AA)

MODEL NUMBER DESCRIPTION

75010531

REV.
A

AIR HANDLER

Example Model Number:

GAM5B0B36M31SAA
1 - - - 5 - - - 10 - - - 15

Digit 1 – Brand

T = Trane
G = Good (Trane Branded)

Digit 2 – Product Type

A = Air Handler

Digit 3 – Convertibility

M = Multi-positional 4-way
F = Upflow Front Return, 3-way
T = 3-way

Digit 4 – Product Tier

2 = Good. Entry Level Feature Set
4 = Better. Retail Replacement Mid Efficiency
5 = Better. Entry Level High Efficiency, Multi-Speed
7 = Best. Retail Replacement High Efficiency, Variable-Speed
8 = Best. Retail Ultimate High Efficiency, Variable-Speed
9 = Best, Comm/24V Variable-Speed
G = Best. Geothermal

Digit 5 – Major Design Change

Digit 6 – No Descriptor

0 = Air Handler / Coil

Digit 7 – Size (Footprint)

A = 17.5 x 21.8
B = 21.3 x 21.8
C = 23.5 x 21.8

Digits 8, 9 – Cooling Size: Air Handler or Coil

0-9 = AH Coil - 1000 BTU's (18, 24, 30, 36, 42, 48, 60)

Digits 10, 11 – Airflow Type & Capacity

S = Low Efficiency PSC, 1-5 Nominal Tonnage (cfm/ton)
M = Mid Efficiency Multi-Speed, 1-5 Nominal Tonnage (cfm/ton)
H = High Efficiency Variable Speed, 1-5 Nominal Tonnage (cfm/ton)
V = High Efficiency Variable Speed, 1-5 Nominal Tonnage (cfm/ton)

Digit 12 – Power Supply

1 = 208-230/60/1

Digit 13 – System Control Type

S = Standard - 24 VAC
C = CLII 13.8 VDC
E = Black Epoxy Coil

Digit 14 – Minor Design Change

Digit 15 – Unit Parts Identifier

Part No.	Reference No.	Quantity	Description
75010531_GAM5BUP2_118012~ P	*		MODEL NUMBER DESCRIPTION PARTS LIST

MODEL NUMBER DESCRIPTION
AIR HANDLER

75010531

REV
A

Example Model Number:
GAM5B0B36M31SAA
1 - - - - 5 - - - - 10 - - - - 15

Digit 1 – Brand

T = Trane
G = Good (Trane Branded)

Digit 2 – Product Type

A = Air Handler

Digit 3 – Convertibility

M = Multi-positional 4-way
F = Upflow Front Return, 3-way
T = 3-way

Digit 4 – Product Tier

2 = Good. Entry Level Feature Set
4 = Better. Retail Replacement Mid Efficiency
5 = Better. Entry Level High Efficiency, Multi-Speed
7 = Best. Retail Replacement High Efficiency, Variable-Speed
8 = Best. Retail Ultimate High Efficiency, Variable-Speed
9 = Best, Comm/24V Variable-Speed
G = Best. Geothermal
X = Premium, Link Communicating /24V

Digit 5 – Major Design Change

Digit 6 – No Descriptor

0 = Air Handler / Coil

Digit 7 – Size (Footprint)

A = 17.5 x 21.8
B = 21.3 x 21.8
C = 23.5 x 21.8

Digits 8, 9 – Cooling Size: Air Handler or Coil

0-9 = AH Coil - 1000 BTU's (18, 24, 30, 36, 42, 48, 60)

Digits 10, 11 – Airflow Type & Capacity

S = Low Efficiency PSC, 1-5 Nominal Tonnage (cfm/ton)
M = Mid Efficiency Multi-Speed, 1-5 Nominal Tonnage (cfm/ton)
H = High Efficiency Variable Speed, 1-5 Nominal Tonnage (cfm/ton)
V = High Efficiency Variable Speed, 1-5 Nominal Tonnage (cfm/ton)

Digit 12 – Power Supply

1 = 208-230/60/1

Digit 13 – System Control Type

S = Standard - 24 VAC
C = CLII 13.8 VDC
E = Black Epoxy Coil

Digit 14 – Minor Design Change

Digit 15 – Unit Parts Identifier

1 of 1

