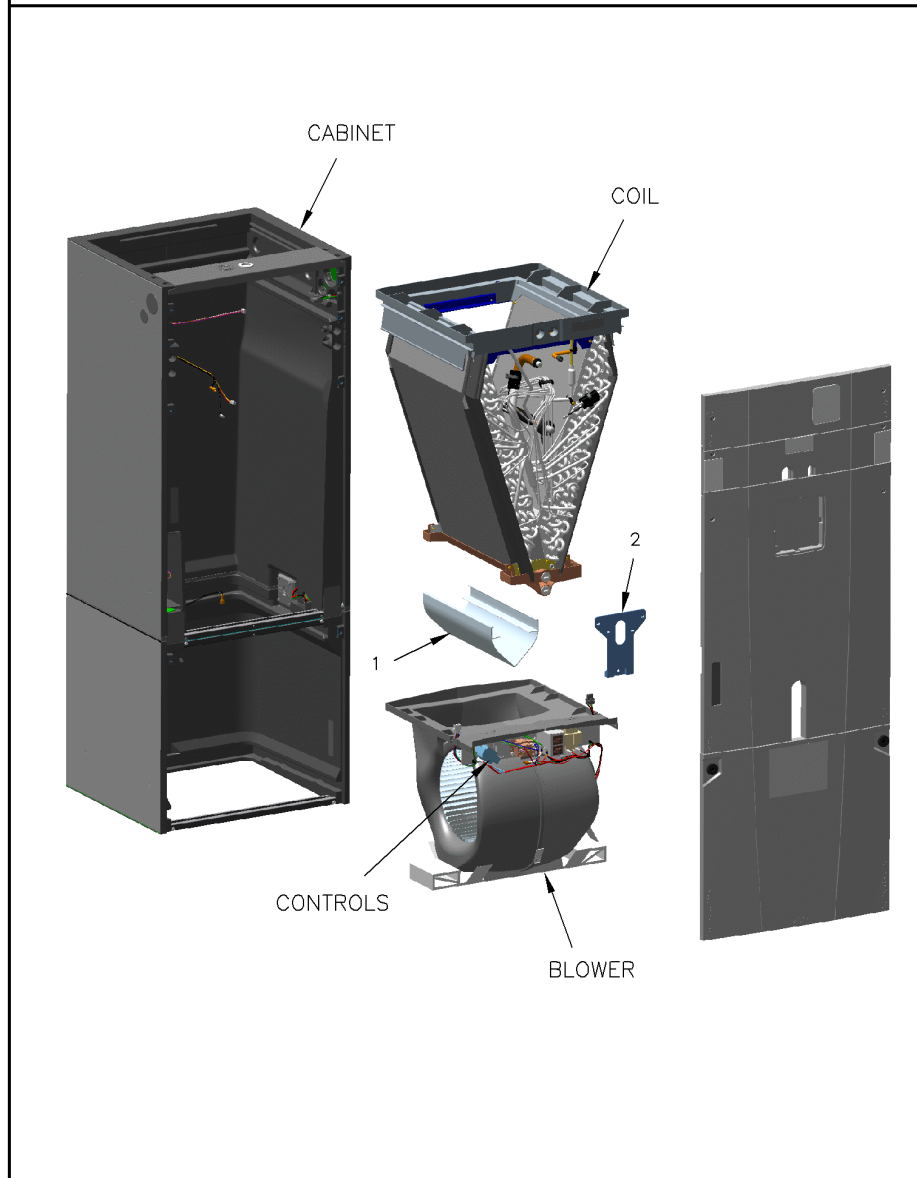


AIR HANDLER

75010505

REV
A

TYPICAL ILLUSTRATION



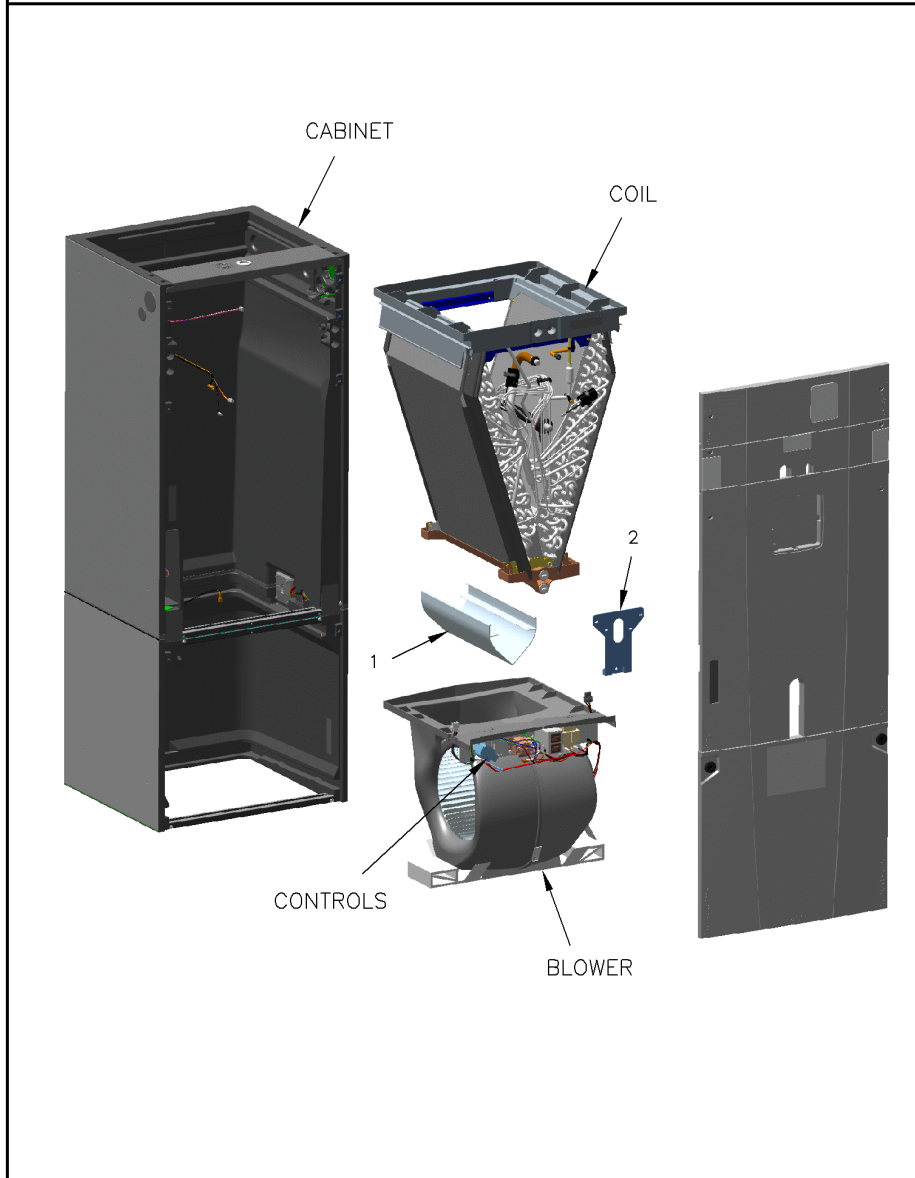
| Part No. | Reference No. | Quantity | Description |
|--------------------------------|----------------------|-----------------|--------------------------|
| 75010505_GAM5BUP2_343225~ P | * | | AIR HANDLER PARTS LIST |
| 75010504#GAM5BUP2~S | * | | BLOWER |
| 75010506#GAM5BUP2~S | * | | CABINET |
| 75010534#GAM5BUP2~S | * | | COIL |
| 75010527#GAM5BUP2~S | * | | CONTROLS |
| 75010531#GAM5BUP2~S | * | | MODEL NUMBER DESCRIPTION |
| OPTIONS#GAM5BUP2~S | * | | OPTIONAL ACCESSORIES |

AIR HANDLER

75010505

REV
A

TYPICAL ILLUSTRATION



| Part No. | Reference No. | Quantity | Description |
|----------|---------------|----------|--|
| BUS00324 | * | 1 | BUSHING; SNAP, .562 OD, .50 MOUNTING HOLE DIAMETER, BLACK NYLON .135 THICK |
| GRM01009 | * | 1 | GROMMET; 3/8 INCH LINE SET |
| GRM01010 | * | 1 | GROMMET; 7/8 INCH LINE SET |
| PAI00248 | * | 1 | PAINT; 12 OZ SPRAY, ANTHRACITE GRAY (SHIPPING UOM 12 OZ HAZ) |
| PLU01169 | * | 1 | PLUG; THREADED 3/4 |
| WIR06512 | * | 1 | WIRE; HARNESS, JUNCTION, 16 AWG, 3 PIN, (BK,RD,GR) 12 IN LENGTH |
| DIV00225 | 1 | 1 | DIVERter; AIR DIVERter 14.8T X 5.9W X 4.8T |
| PLT04861 | 2 | 1 | PLATE; SEAL |

BLOWER

75010504

REV
A

TYPICAL ILLUSTRATION



| Part No. | Reference No. | Quantity | Description |
|--------------------------------|---------------|----------|-------------------|
| 75010504_GAM5BUP2_343226~ P | * | | BLOWER PARTS LIST |

BLOWER

75010504

REV
A

TYPICAL ILLUSTRATION



| Part No. | Reference No. | Quantity | Description |
|-----------------|----------------------|-----------------|---|
| CMP01415 | 1 | 4 | CLAMP; BLOWER HOUSING CLEAT |
| WHL02915 | 2 | 1 | WHEEL; BLOWER, 11.7 IN DIA X 10.6 IN WIDE, 0.50 IN BORE, CW ROTATION |
| HUS03894 | 3 | 1 | HOUSING; MOLDED BLOWER, INCLUDES LEFT & RIGHT MOLDED HALF & CLP01123 QTY OF 5 |
| MOT13908 | 4 | 1 | MOTOR; CONSTANT TORQUE, 1/2 HP, 230/60/1, 1050-400 RPM, CCW |
| NUT01063 | 5 | 1 | NUT; LOCKING NYLON |
| SCR01584 | 5 | 1 | BOLT; 1/4-20 MA HX 1.5 S |
| BND00910 | 6 | 1 | BAND; MOTOR MOUNT |
| BRK04223 | 7 | 3 | BRACKET; MOTOR ARM |
| SCR02112 | 8 | 3 | SCREW; ASSEMBLY-MOTOR MOUNT |

CABINET

75010506

REV.
A

TYPICAL ILLUSTRATION



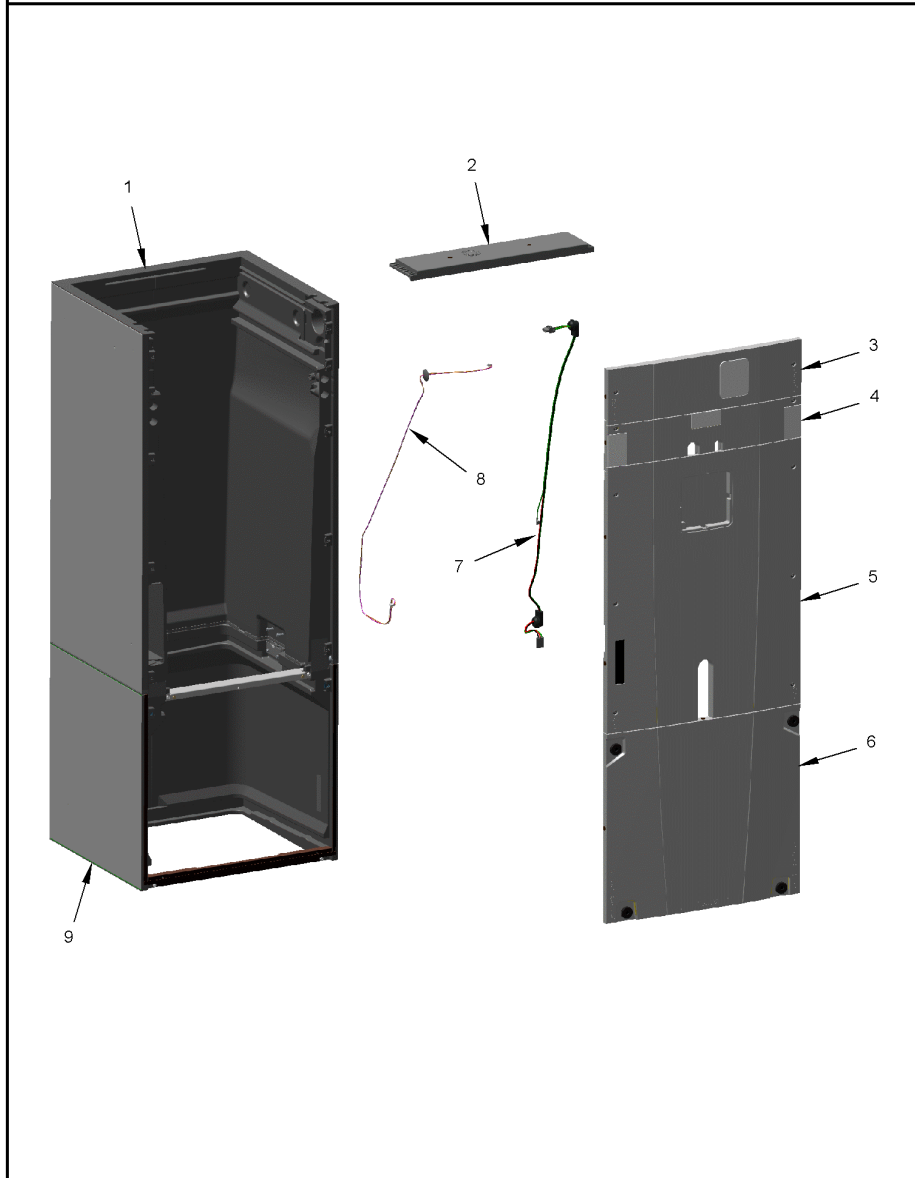
| Part No. | Reference No. | Quantity | Description |
|--------------------------------|---------------|----------|--------------------|
| 75010506_GAM5BUP2_343227~ P | * | | CABINET PARTS LIST |

CABINET

75010506

REV.
A

TYPICAL ILLUSTRATION



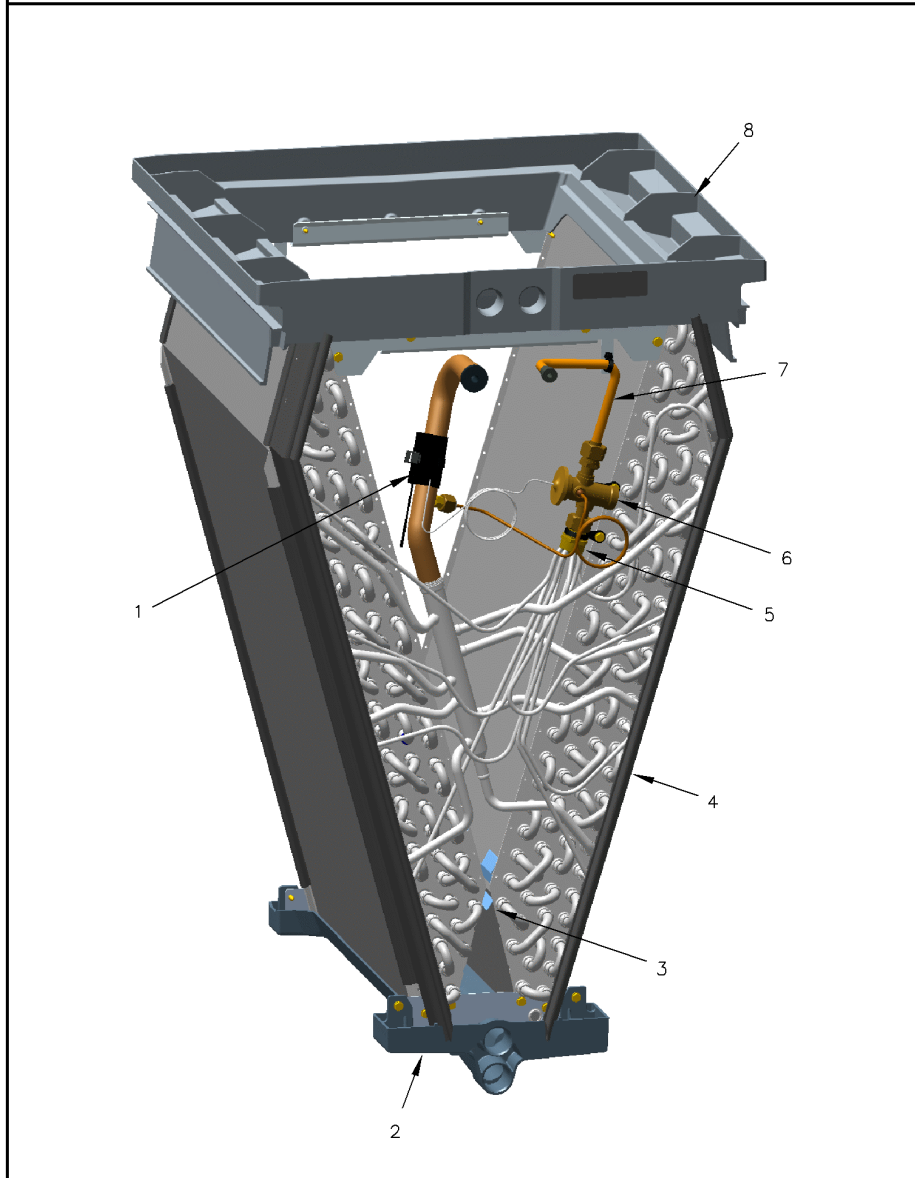
| Part No. | Reference No. | Quantity | Description |
|----------|---------------|----------|--|
| CBT01789 | * | 1 | SUPPORT; CABINET CROSSBAR |
| KIT15812 | * | 1 | KIT; LATCH BAIL QTR TURN PANEL MOUNTING HARDWARE (BLOWER DOOR) |
| KIT15813 | * | 1 | KIT; LATCH QTR TURN PANEL MOUNTING HARDWARE (HEATER DOOR) |
| KIT15955 | * | 1 | KIT; RECEPTACLE 1/2 TURN FASTENER, INCLUDES 24 PIECES |
| LAT00885 | * | 1 | LATCH; RECEPTACLE ROTARY |
| LAT00887 | * | 1 | LATCH; RECEPTACLE ROTARY |
| CBT01799 | 1a | 1 | CABINET; ASSEMBLY, COIL. INCLUDES WIR07396 & WIR07383 |
| CBT01821 | 1b | 1 | CABINET; COIL. CONSISTS OF CBT01799, CBT01789, PNL31498, LATCHES |
| PNL31498 | 2 | 1 | PANEL; TOP |
| PNL31441 | 3a | 1 | PANEL; HEATER ACCESS |
| WAS01176 | 3b | 2 | WASHER; BLACK RUBBER, 0.75 OUTER DIA X 0.17 INNER DIA X 0.093 THICK |
| PNL31437 | 4a | 1 | PANEL; FIXED |
| COV04331 | 4b | 2 | COVER; CONDENSATE HORIZONTAL, 3.8 X 2.7 |
| COV04332 | 4c | 1 | COVER; CONDENSATE DOWN FLOW, 3.4 X 1.6 |
| WAS01176 | 4d | 2 | WASHER; BLACK RUBBER, 0.75 OUTER DIA X 0.17 INNER DIA X 0.093 THICK |
| WAS01176 | 5 | 4 | WASHER; BLACK RUBBER, 0.75 OUTER DIA X 0.17 INNER DIA X 0.093 THICK |
| PNL31428 | 5a | 1 | PANEL; COIL ACCESS |
| COV04327 | 5b | 1 | COVER; CLEAR LED COVER 4.9 X 1.1 |
| PNL31433 | 6 | 1 | PANEL; BLOWER ACCESS |
| WIR07383 | 7 | 1 | WIRE; HARNESS, CONTROL BOX, HIGH VOLT, 50 IN LENGTH, 3 WIRES-16 AWG (BK,GR,RD), 1 WIRE-18 AWG (GR) |
| WIR07396 | 8 | 1 | WIRE; HARNESS, STAT HEAT CONTROL, 68 IN LENGTH, 4 WIRES-22 AWG (BR,PK,PR,WH) |
| CBT01631 | 9a | 1 | CAB-BLOWER; C; SUB |
| WAS01176 | 9b | 4 | WASHER; BLACK RUBBER, 0.75 OUTER DIA X 0.17 INNER DIA X 0.093 THICK |

COIL

75010534

REV.
A

TYPICAL ILLUSTRATION



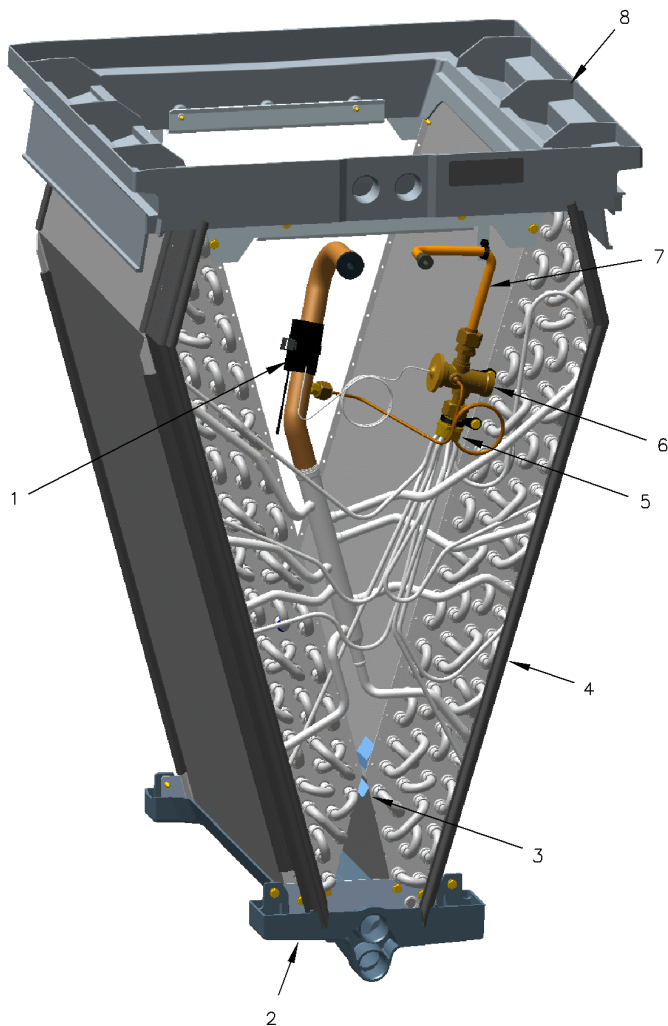
| Part No. | Reference No. | Quantity | Description |
|--------------------------------|---------------|----------|-----------------|
| 75010534_GAM5BUP2_360540~ P | * | | COIL PARTS LIST |

COIL

75010534

REV.
A

TYPICAL ILLUSTRATION



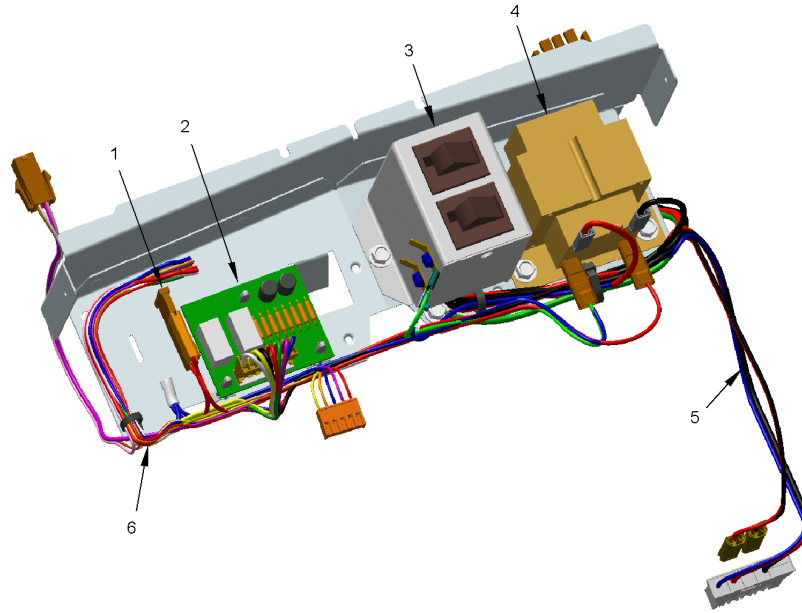
| Part No. | Reference No. | Quantity | Description |
|----------|---------------|----------|--|
| BAF01366 | * | 1 | BAFFLE; COIL FRONT BAFFLE KIT, INCLUDES RIGHT AND LEFT BAFFLE |
| BAF01374 | * | 1 | BAFFLE; COIL REAR BAFFLE KIT, INCLUDES RIGHT AND LEFT BAFFLE |
| NUT01223 | * | 1 | NUT; HEX NUT, 7/8, 3/4-20-2B UNEF THREAD |
| PLU01169 | * | 2 | PLUG; THREADED 3/4 |
| WAS01180 | * | 2 | WASHER; TEFLON, 0.46 ID X 0.56 OD X 0.056 THK |
| CLP01073 | 1 | 1 | CLIP; BULB (RED) |
| PAN03350 | 2 | 1 | PAN-DRAIN UF MEDIUM |
| DIV00329 | 3 | 1 | DIVERTER; WATER, 16.31 L X 1.30 W X 1.97 H |
| COL19083 | 4 | 1 | COIL: COIL ONLY |
| VAL11007 | 5 | 1 | VALVE: TXV EXPANSION VALVE ASSEMBLY, INCLUDES TXV, WASHER & LIQUID TUBE ASSEMBLY |
| VAL11157 | 6 | 1 | VALVE: EXPANSION, 4 TON, 3/4 INLET/OUTLET WITH MECHANICAL FITTINGS, 140.5 PSIG, 15 PERCENT BLEED PORT, 80 MESH OUTLET STRAINER |
| TUB13398 | 7 | 1 | TUBE; LIQUID, WITH FLANGE, STRAINER, NUT01223 AND (2) WAS01180 |
| PAN03094 | 8 | 1 | PAN; DRAIN DOWN FLOW, 20.4 X 19.8 |

CONTROLS

75010527

REV.
A

TYPICAL ILLUSTRATION



Parts List Number :75010505#GAM5BUP2

Model Number :GAM5B0C42M31SBA

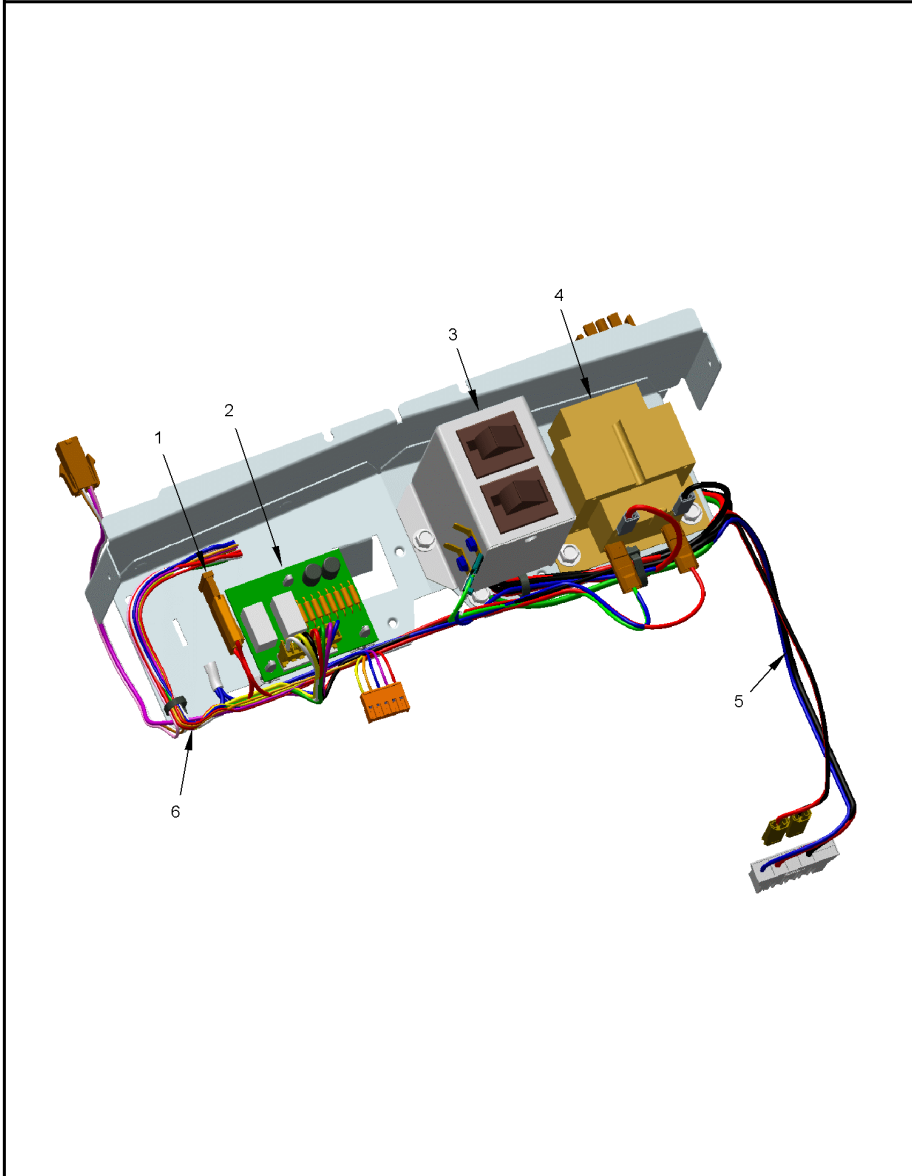
| Part No. | Reference No. | Quantity | Description |
|--------------------------------|---------------|----------|---------------------|
| 75010527_GAM5BUP2_118010~ P | * | | CONTROLS PARTS LIST |

CONTROLS

75010527

REV.
A

TYPICAL ILLUSTRATION



| Part No. | Reference No. | Quantity | Description |
|----------|---------------|----------|---|
| KIT16176 | * | 1 | KIT; WIRE HARNESS HEATER, 24 VAC |
| PNL33663 | * | 1 | PANEL; CONTROL MOUNT |
| FUS01089 | 1 | 1 | FUSE; 5 AMP, TAN, AUTOMOTIVE STYLE |
| CNT06951 | 2 | 1 | CONTROL; HIF CONTROL |
| SWT01714 | 3 | 2 | SWITCH; DOOR SPST, 21 AMP, 125/250VAC |
| BRK04142 | 3a | 1 | BRACKET; DOOR SWITCH |
| TRR02266 | 4 | 1 | TRANSFORMER; 50VA, 208/240V PRI, 24V SEC |
| WIR07391 | 5 | 1 | WIRE; HARNESS, CONTROL BOX, HIGH VOLT, 17.5 IN LENGTH, 3 WIRES-16 AWG (BK,GR,RD), 5 WIRES-18 AWG (BK,BL,RD) |
| WIR07387 | 6 | 1 | WIRE; HARNESS, CONTROL BOX, LOW VOLT, 30.5 LENGTH, 20 WIRES-20 AWG (BK,BL,BR,GR,GR/YL,OR,PK,PR,RD,WH,YL) |

OPTIONAL ACCESSORIES

Parts List Number :75010505#GAM5BUP2

Model Number :GAM5B0C42M31SBA

| Part No. | Reference No. | Quantity | Description |
|-------------------------------|---------------|----------|---------------------------------|
| OPTIONS_GAM5BUP2_343229~ P | * | | OPTIONAL ACCESSORIES PARTS LIST |

NO GRAPHIC AVAILABLE

75013702

REV
A

**NO
GRAPHIC
AVAILABLE**

| Part No. | Reference No. | Quantity | Description |
|----------------|---------------|----------|---|
| BAYEAC10LG3AA | * | 1 | HEATER; 10 KW HEATER 208/240/3(BAYEAC10LG3AA) |
| BAYEABC15LG3AA | * | 1 | HEATER; 15 KW HEATER 208/240/3(BAYEABC15LG3AA) |
| FLR07870 | * | 1 | FILTER; HIGH VELOCITY FILTER KIT 22 X 20 X 1 - 10 FILTERS (BAYFLR2220A) |
| HTR11104 | * | 1 | HEATER; HEATER ASSY, 5KW , (BAYEAC05BK1AAA) |
| HTR11105 | * | 1 | HEATER; HEATER ASSY, 5KW , (BAYEAC05LG1AAA) |
| HTR11106 | * | 1 | HEATER; HEATER ASSY, 8KW , (BAYEAC08BK1AAA) |
| HTR11107 | * | 1 | HEATER; HEATER ASSY, 8KW , (BAYEAC08LG1AAA) |
| HTR11108 | * | 1 | HEATER; HEATER ASSY, 10KW , (BAYEAC10BK1AAA) |
| HTR11109 | * | 1 | HEATER; HEATER ASSY, 10KW , (BAYEAC10LG1AAA) |
| HTR11110 | * | 1 | HEATER; HEATER ASSY, 15KW , (BAYEABC15BK1AAA) |
| KIT15226 | * | 1 | KIT; 23.5" CABINET MOUNTING STAND (TASB235) |
| KIT15765 | * | 1 | KIT; DUCT FLANGE ASSEMBLY RETURN FOR CANINET C (BAYRETFLGCAA) |
| KIT15766 | * | 1 | KIT; DUCT FLANGE ASSEMBLY SUPPLY FOR CANINET C (BAYSUPFLGCAA) |
| KIT15865 | * | 1 | KIT; SIDE RETURN (BAYSRKIT100A) |
| KIT15866 | * | 1 | KIT; HORIZONTAL HANGING (BAYHHKIT001A) |
| KIT15867 | * | 1 | KIT; LOW VOLTAGE BOX (BAYLVKIT100A) |
| KIT15873 | * | 1 | KIT; SINGLE POINT POWER ENTRY (BAYSPEKT200A) |
| KIT15973 | * | 1 | KIT; INTERNAL CONDENSATE SWITCH (BAYICKSKIT01A) |
| KIT16304 | * | 1 | KIT; FIELD MOUNTED TXV (BAYATXV1836A) |
| KIT16305 | * | 1 | KIT; FIELD MOUNTED TXV (BAYATXV4248A) |
| KIT16306 | * | 1 | KIT; FIELD MOUNTED TXV (BAYATXV6060A) |
| KIT16607 | * | 1 | KIT; HYDRONIC COIL ASSEMBLY (BAYWACC08SC1AA) |
| LIT01103 | * | 1 | LIGHT; UV KIT (BAYUVCLK001AA) |

MODEL NUMBER DESCRIPTION

75010531

REV.
A

AIR HANDLER

Example Model Number:

GAM5B0B36M31SAA
1 - - - 5 - - - 10 - - - 15

Digit 1 – Brand

T = Trane
G = Good (Trane Branded)

Digit 2 – Product Type

A = Air Handler

Digit 3 – Convertibility

M = Multi-positional 4-way
F = Upflow Front Return, 3-way
T = 3-way

Digit 4 – Product Tier

2 = Good. Entry Level Feature Set
4 = Better. Retail Replacement Mid Efficiency
5 = Better. Entry Level High Efficiency, Multi-Speed
7 = Best. Retail Replacement High Efficiency, Variable-Speed
8 = Best. Retail Ultimate High Efficiency, Variable-Speed
9 = Best, Comm/24V Variable-Speed
G = Best. Geothermal

Digit 5 – Major Design Change

Digit 6 – No Descriptor

0 = Air Handler / Coil

Digit 7 – Size (Footprint)

A = 17.5 x 21.8
B = 21.3 x 21.8
C = 23.5 x 21.8

Digits 8, 9 – Cooling Size: Air Handler or Coil

0-9 = AH Coil - 1000 BTU's (18, 24, 30, 36, 42, 48, 60)

Digits 10, 11 – Airflow Type & Capacity

S = Low Efficiency PSC, 1-5 Nominal Tonnage (cfm/ton)
M = Mid Efficiency Multi-Speed, 1-5 Nominal Tonnage (cfm/ton)
H = High Efficiency Variable Speed, 1-5 Nominal Tonnage (cfm/ton)
V = High Efficiency Variable Speed, 1-5 Nominal Tonnage (cfm/ton)

Digit 12 – Power Supply

1 = 208-230/60/1

Digit 13 – System Control Type

S = Standard - 24 VAC
C = CLII 13.8 VDC
E = Black Epoxy Coil

Digit 14 – Minor Design Change

Digit 15 – Unit Parts Identifier

| Part No. | Reference No. | Quantity | Description |
|--------------------------------|---------------|----------|-------------------------------------|
| 75010531_GAM5BUP2_118012~ P | * | | MODEL NUMBER DESCRIPTION PARTS LIST |

MODEL NUMBER DESCRIPTION
AIR HANDLER

75010531

REV
A

Example Model Number:
GAM5B0B36M31SAA
1 - - - - 5 - - - - 10 - - - - 15

Digit 1 – Brand

T = Trane
G = Good (Trane Branded)

Digit 2 – Product Type

A = Air Handler

Digit 3 – Convertibility

M = Multi-positional 4-way
F = Upflow Front Return, 3-way
T = 3-way

Digit 4 – Product Tier

2 = Good. Entry Level Feature Set
4 = Better. Retail Replacement Mid Efficiency
5 = Better. Entry Level High Efficiency, Multi-Speed
7 = Best. Retail Replacement High Efficiency, Variable-Speed
8 = Best. Retail Ultimate High Efficiency, Variable-Speed
9 = Best, Comm/24V Variable-Speed
G = Best. Geothermal
X = Premium, Link Communicating /24V

Digit 5 – Major Design Change

Digit 6 – No Descriptor

0 = Air Handler / Coil

Digit 7 – Size (Footprint)

A = 17.5 x 21.8
B = 21.3 x 21.8
C = 23.5 x 21.8

Digits 8, 9 – Cooling Size: Air Handler or Coil

0-9 = AH Coil - 1000 BTU's (18, 24, 30, 36, 42, 48, 60)

Digits 10, 11 – Airflow Type & Capacity

S = Low Efficiency PSC, 1-5 Nominal Tonnage (cfm/ton)
M = Mid Efficiency Multi-Speed, 1-5 Nominal Tonnage (cfm/ton)
H = High Efficiency Variable Speed, 1-5 Nominal Tonnage (cfm/ton)
V = High Efficiency Variable Speed, 1-5 Nominal Tonnage (cfm/ton)

Digit 12 – Power Supply

1 = 208-230/60/1

Digit 13 – System Control Type

S = Standard - 24 VAC
C = CLII 13.8 VDC
E = Black Epoxy Coil

Digit 14 – Minor Design Change

Digit 15 – Unit Parts Identifier

