

AIR HANDLER

75010505

REV  
A

TYPICAL ILLUSTRATION



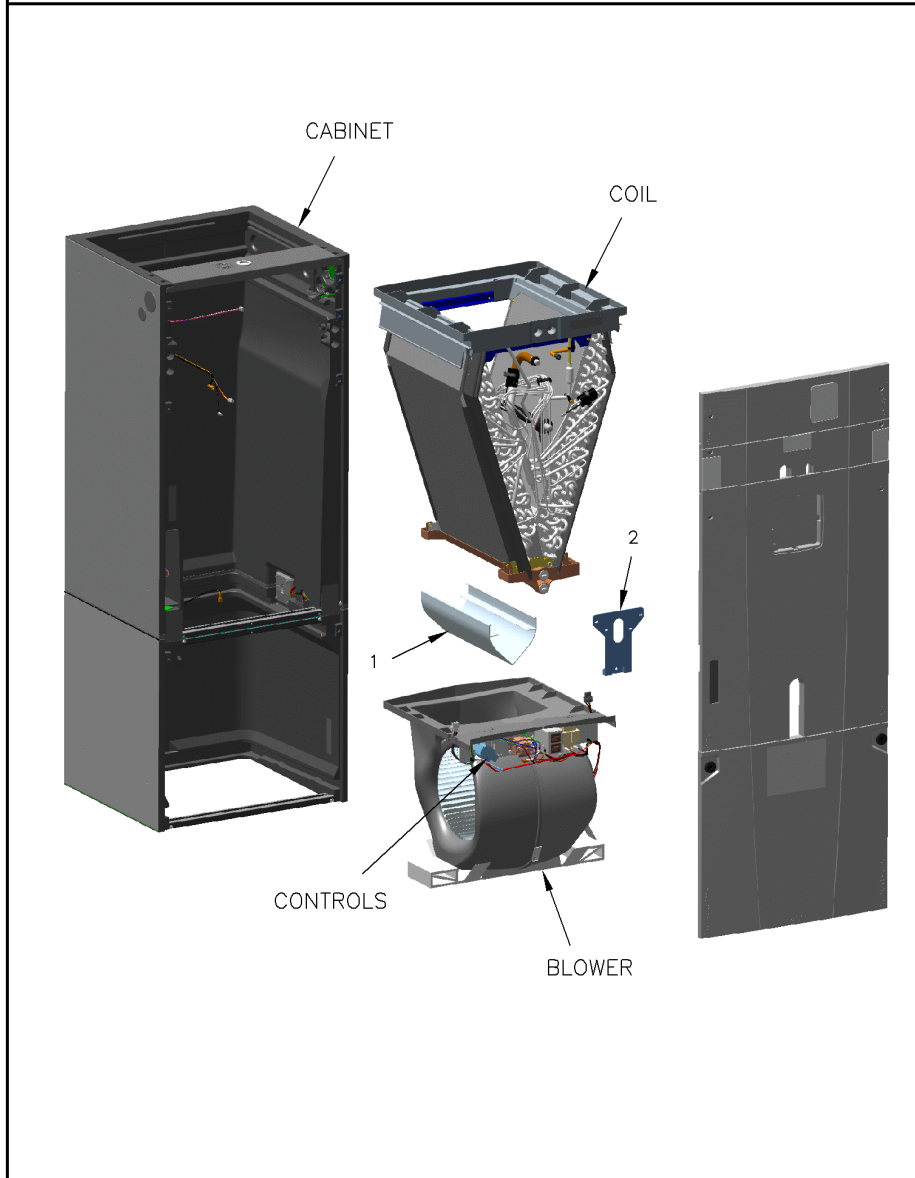
<b>Part No.</b>	<b>Reference No.</b>	<b>Quantity</b>	<b>Description</b>
75010505_GAM5BUP2_118006~ P	*		AIR HANDLER PARTS LIST
75010504#GAM5BUP2~S	*		BLOWER
75010506#GAM5BUP2~S	*		CABINET
75010533#GAM5BUP2~S	*		COIL
75010527#GAM5BUP2~S	*		CONTROLS
75010531#GAM5BUP2~S	*		MODEL NUMBER DESCRIPTION
OPTIONS#GAM5BUP2~S	*		OPTIONAL ACCESSORIES

AIR HANDLER

75010505

REV  
A

TYPICAL ILLUSTRATION



Part No.	Reference No.	Quantity	Description
BUS00324	*	1	BUSHING; SNAP, .562 OD, .50 MOUNTING HOLE DIAMETER, BLACK NYLON .135 THICK
GRM01008	*	1	GROMMET; 3/4 INCH LINE SET
GRM01009	*	1	GROMMET; 3/8 INCH LINE SET
PAI00248	*	1	PAINT; 12 OZ SPRAY, ANTHRACITE GRAY (SHIPPING UOM 12 OZ HAZ)
PLU01169	*	1	PLUG; THREADED 3/4
WIR06512	*	1	WIRE; HARNESS, JUNCTION, 16 AWG, 3 PIN, (BK,RD,GR) 12 IN LENGTH
DIV00225	1	1	DIVERter; AIR DIVERter 14.8T X 5.9W X 4.8T
PLT04861	2	1	PLATE; SEAL

BLOWER

75010504

REV  
A

TYPICAL ILLUSTRATION



Part No.	Reference No.	Quantity	Description
75010504_GAM5BUP2_118007~ P	*		BLOWER PARTS LIST

BLOWER

75010504

REV  
A

TYPICAL ILLUSTRATION



Part No.	Reference No.	Quantity	Description
CMP01415	1	4	CLAMP; BLOWER HOUSING CLEAT
WHL02916	2	1	WHEEL; BLOWER, 11 IN DIA, 8 IN WIDTH, 0.50 IN BORE, CW
HUS03895	3	1	HOUSING; MOLDED BLOWER, INCLUDES LEFT & RIGHT MOLDED HALF & CLP01123 QTY OF 4
MOT13911	4	1	MOTOR; CONSTANT TORQUE, 1/3 HP, 230/60/1, 1050-400 RPM, CCW
NUT01063	5	1	NUT; LOCKING NYLON
SCR01584	5	1	BOLT; 1/4-20 MA HX 1.5 S
BND00910	6	1	BAND; MOTOR MOUNT
BRK04223	7	3	BRACKET; MOTOR ARM
SCR02112	8	3	SCREW; ASSEMBLY-MOTOR MOUNT

CABINET

75010506

REV.  
A

TYPICAL ILLUSTRATION



Parts List Number :75010505#GAM5BUP2

Model Number :GAM5B0A24M21SBA

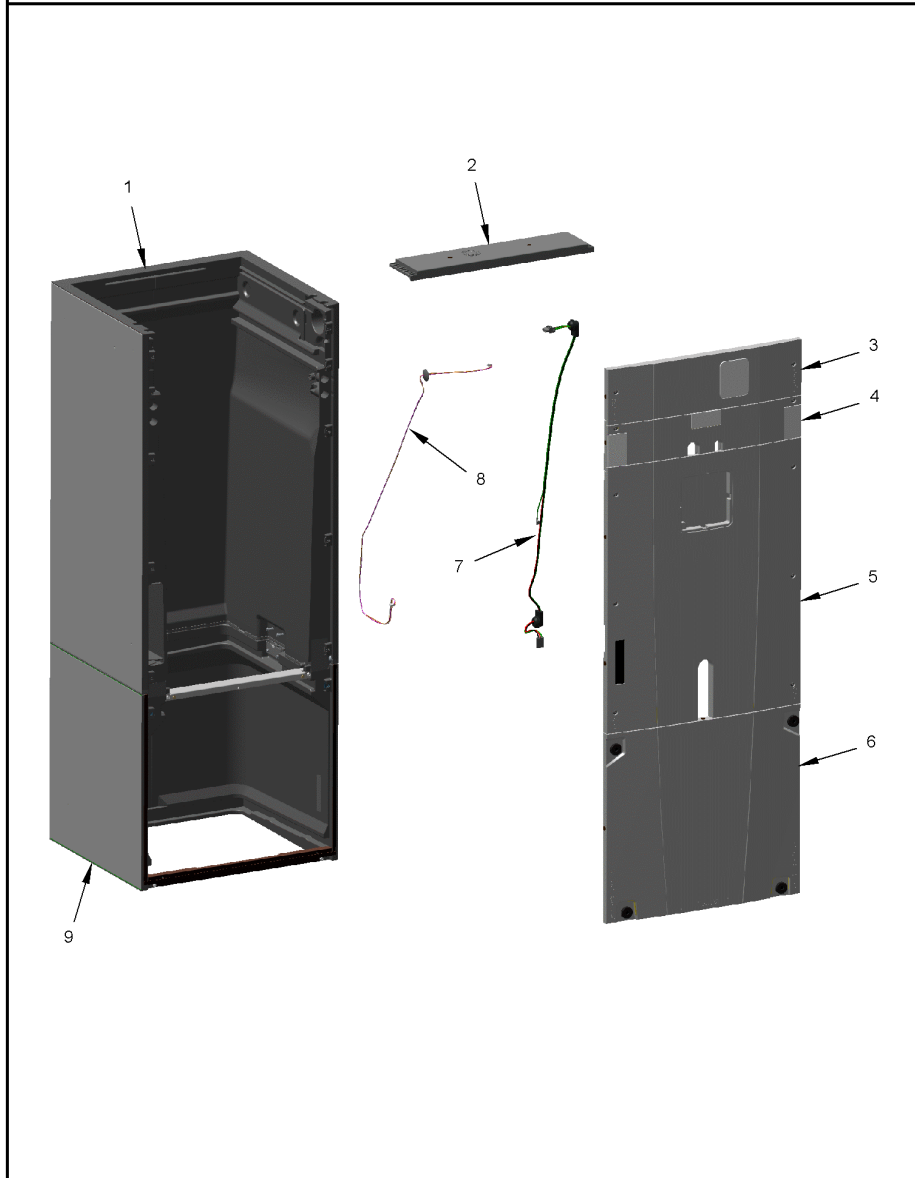
Part No.	Reference No.	Quantity	Description
75010506_GAM5BUP2_118008~ P	*		CABINET PARTS LIST

CABINET

75010506

REV.  
A

TYPICAL ILLUSTRATION



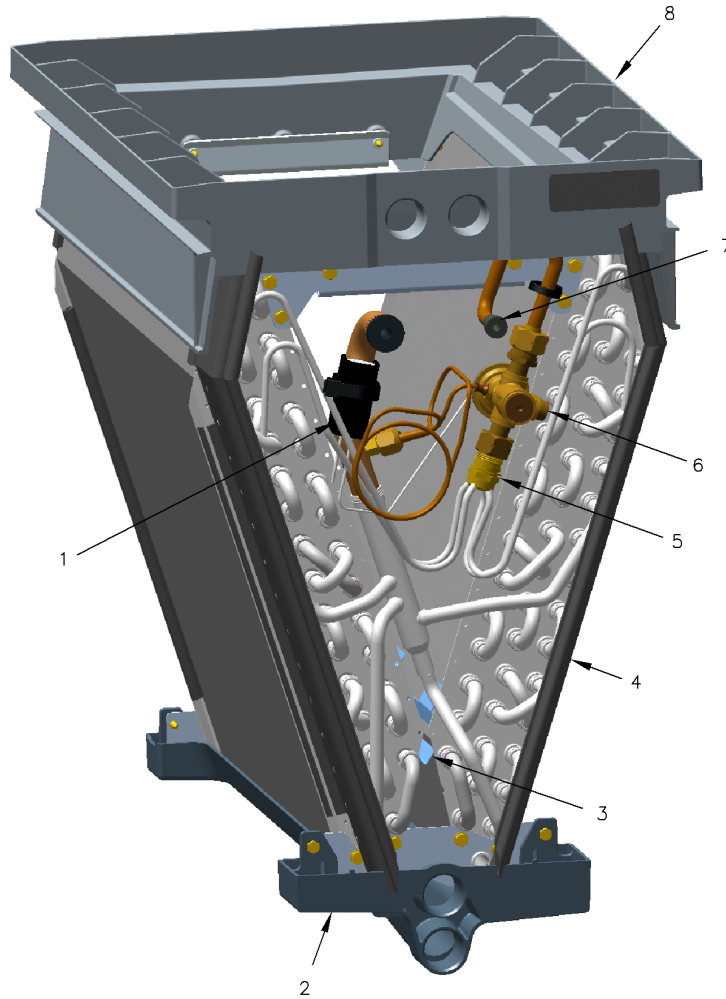
Part No.	Reference No.	Quantity	Description
KIT15812	*	1	KIT; LATCH BAIL QTR TURN PANEL MOUNTING HARDWARE (BLOWER DOOR)
KIT15813	*	1	KIT; LATCH QTR TURN PANEL MOUNTING HARDWARE (HEATER DOOR)
KIT15955	*	1	KIT; RECEPTACLE 1/2 TURN FASTENER, INCLUDES 24 PIECES
LAT00885	*	1	LATCH; RECEPTACLE ROTARY
LAT00887	*	1	LATCH; RECEPTACLE ROTARY
CBT01796	1	1	CAB-COIL; A2-5; SUB
PNL31496	2	1	PANEL; TOP
PNL31443	3	1	PANEL; HEATER ACCESS
COV04331	4	2	COVER; CONDENSATE HORIZONTAL, 3.8 X 2.7
COV04332	4	1	COVER; CONDENSATE DOWN FLOW, 3.4 X 1.6
PNL31439	4	1	PANEL; FIXED
WAS01176	4	2	WASHER; BLACK RUBBER, 0.75 OUTER DIA X 0.17 INNER DIA X 0.093 THICK
COV04327	5	1	COVER; CLEAR LED COVER 4.9 X 1.1
PNL31431	5	1	PANEL; COIL ACCESS
WAS01176	5	4	WASHER; BLACK RUBBER, 0.75 OUTER DIA X 0.17 INNER DIA X 0.093 THICK
PNL31435	6	1	PANEL; BLOWER ACCESS
WIR07383	7	1	WIRE; HARNESS, CONTROL BOX, HIGH VOLT, 50 IN LENGTH, 3 WIRES-16 AWG (BK,GR,RD), 1 WIRE-18 AWG (GR)
WIR07396	8	1	WIRE; HARNESS, STAT HEAT CONTROL, 68 IN LENGTH, 4 WIRES-22 AWG (BR,PK,PR,WH)
CBT01629	9	1	CAB-BLOWER; A; SUB
WAS01176	9	4	WASHER; BLACK RUBBER, 0.75 OUTER DIA X 0.17 INNER DIA X 0.093 THICK

COIL

75010533

REV.  
A

TYPICAL ILLUSTRATION



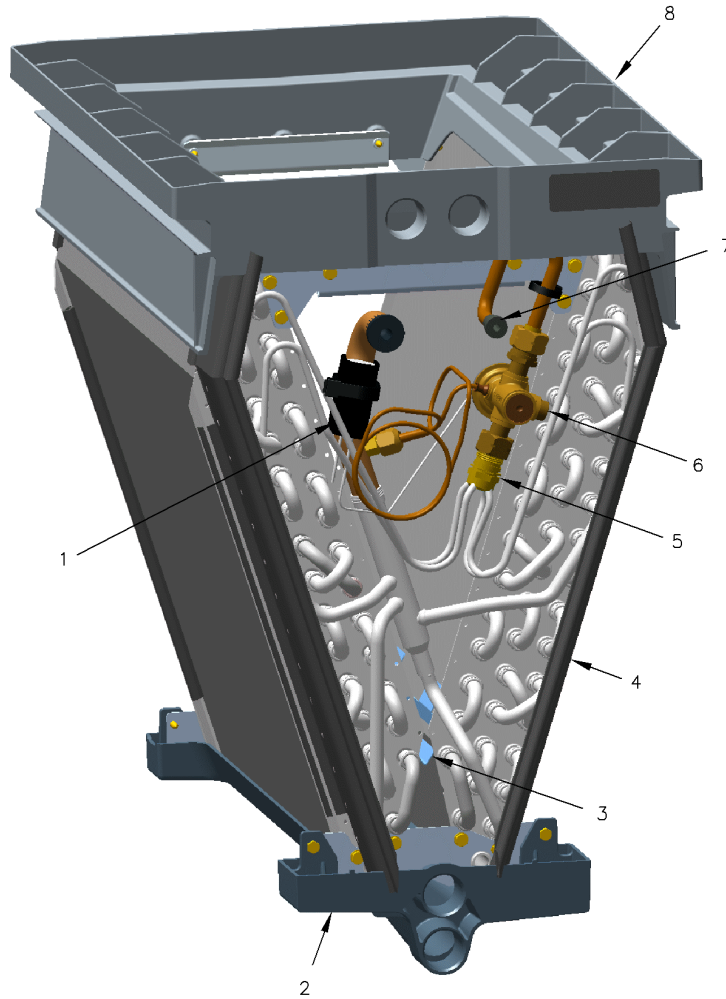
Part No.	Reference No.	Quantity	Description
75010533_GAM5BUP2_335994~ P	*		COIL PARTS LIST

COIL

75010533

REV.  
A

TYPICAL ILLUSTRATION



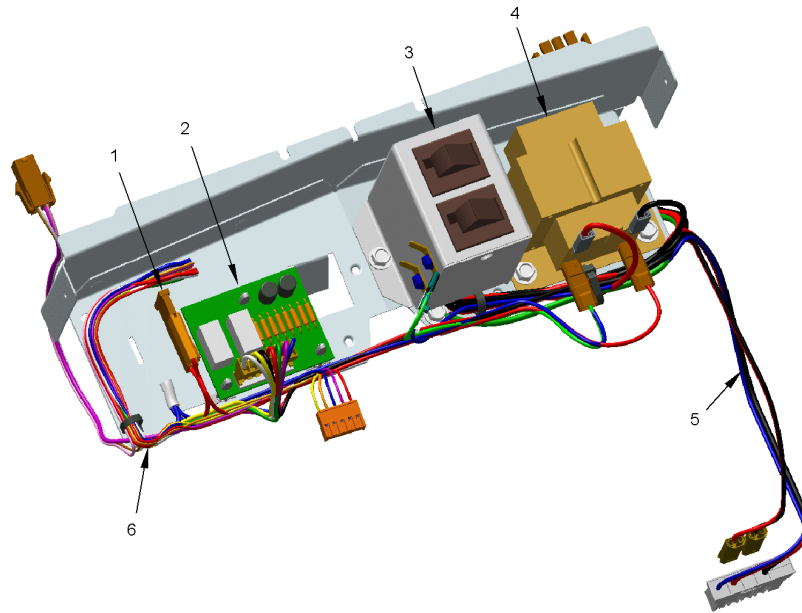
Part No.	Reference No.	Quantity	Description
BAF01360	*	1	BAFFLE; COIL FRONT BAFFLE KIT, INCLUDES RIGHT AND LEFT BAFFLE
BAF01368	*	1	BAFFLE; COIL REAR BAFFLE KIT, INCLUDES RIGHT AND LEFT BAFFLE
NUT01223	*	1	NUT; HEX NUT, 7/8, 3/4-20-2B UNEF THREAD
PLU01169	*	2	PLUG; THREADED 3/4
WAS01180	*	2	WASHER; TEFLON, 0.46 ID X 0.56 OD X 0.056 THK
CLP01072	1	1	CLIP; BULB (BLUE), 3/4 OD TUBE
PAN03350	2	1	PAN-DRAIN UF MEDIUM
DIV00329	3	1	DIVERTER; WATER, 16.31 L X 1.30 W X 1.97 H
COL19093	4	1	COIL; COIL ONLY
VAL11005	5	1	VALVE: TXV EXPANSION VALVE ASSEMBLY
VAL11154	6	1	VALVE; EXPANSION, 3 TON, 3/4 INLET/OUTLET WITH MECHANICAL FITTINGS, 133.8 PSIG, 15 PERCENT BLEED PORT, 80 MESH OUTLET STRAINER
TUB13396	7	1	TUBE; LIQUID, WITH FLANGE, STRAINER, NUT01223 AND (2) WAS01180
PAN03092	8	1	PAN; DRAIN DOWN FLOW, 14.4 X 19.6

CONTROLS

75010527

REV.  
A

TYPICAL ILLUSTRATION



Parts List Number :75010505#GAM5BUP2

Model Number :GAM5B0A24M21SBA

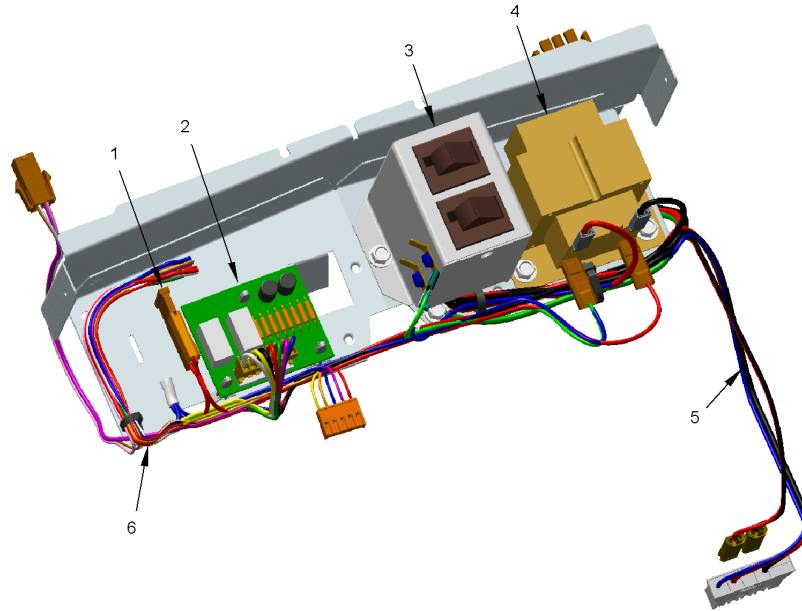
Part No.	Reference No.	Quantity	Description
75010527_GAM5BUP2_118010~ P	*		CONTROLS PARTS LIST

CONTROLS

75010527

REV.  
A

TYPICAL ILLUSTRATION



Part No.	Reference No.	Quantity	Description
KIT16176	*	1	KIT; WIRE HARNESS HEATER, 24 VAC
PNL33663	*	1	PANEL; CONTROL MOUNT
FUS01089	1	1	FUSE; 5 AMP, TAN, AUTOMOTIVE STYLE
CNT06951	2	1	CONTROL; HIF CONTROL
SWT01714	3	2	SWITCH; DOOR SPST, 21 AMP, 125/250VAC
BRK04142	3a	1	BRACKET; DOOR SWITCH
TRR02266	4	1	TRANSFORMER; 50VA, 208/240V PRI, 24V SEC
WIR07391	5	1	WIRE; HARNESS, CONTROL BOX, HIGH VOLT, 17.5 IN LENGTH, 3 WIRES-16 AWG (BK,GR,RD), 5 WIRES-18 AWG (BK,BL,RD)
WIR07387	6	1	WIRE; HARNESS, CONTROL BOX, LOW VOLT, 30.5 LENGTH, 20 WIRES-20 AWG (BK,BL,BR,GR,GR/YL,OR,PK,PR,RD,WH,YL)

Part No.	Reference No.	Quantity	Description
OPTIONS_GAM5BUP2_118015~ P	*		OPTIONAL ACCESSORIES PARTS LIST

NO GRAPHIC AVAILABLE

75013702

REV  
A

**NO  
GRAPHIC  
AVAILABLE**

Part No.	Reference No.	Quantity	Description
BAYEAC10LG3AA	*	1	HEATER; 10 KW HEATER 208/240/3(BAYEAC10LG3AA)
FLR07870	*	1	FILTER; HIGH VELOCITY FILTER KIT 22 X 20 X 1 - 10 FILTERS (BAYFLR2220A)
HTR11104	*	1	HEATER; HEATER ASSY, 5KW , (BAYEAC05BK1AAA)
HTR11105	*	1	HEATER; HEATER ASSY, 5KW , (BAYEAC05LG1AAA)
HTR11106	*	1	HEATER; HEATER ASSY, 8KW , (BAYEAC08BK1AAA)
HTR11107	*	1	HEATER; HEATER ASSY, 8KW , (BAYEAC08LG1AAA)
HTR11108	*	1	HEATER; HEATER ASSY, 10KW , (BAYEAC10BK1AAA)
HTR11109	*	1	HEATER; HEATER ASSY, 10KW , (BAYEAC10LG1AAA)
KIT15759	*	1	KIT; DUCT FLANGE ASSEMBLY RETURN FOR CANINET A (BAYRETFLGAAA)
KIT15760	*	1	KIT; DUCT FLANGE ASSEMBLY SUPPLY FOR A CABINET (BAYSUPFLGAAA)
KIT15865	*	1	KIT; SIDE RETURN (BAYSRKIT100A)
KIT15866	*	1	KIT; HORIZONTAL HANGING (BAYHHKIT001A)
KIT15867	*	1	KIT; LOW VOLTAGE BOX (BAYLVKIT100A)
KIT15973	*	1	KIT; INTERNAL CONDENSATE SWITCH (BAYICKIT01A)
KIT16304	*	1	KIT; FIELD MOUNTED TXV (BAYATXV1836A)
KIT16305	*	1	KIT; FIELD MOUNTED TXV (BAYATXV4248A)
KIT16306	*	1	KIT; FIELD MOUNTED TXV (BAYATXV6060A)
KIT16607	*	1	KIT; HYDRONIC COIL ASSEMBLY (BAYWACC08SC1AA)
LIT01103	*	1	LIGHT; UV KIT (BAYUVCLK001AA)

MODEL NUMBER DESCRIPTION

75010531

REV.  
A

AIR HANDLER

*Example Model Number:*

**GAM5B0B36M31SAA**  
1 - - - 5 - - - 10 - - - 15

**Digit 1 – Brand**

T = Trane  
G = Good (Trane Branded)

**Digit 2 – Product Type**

A = Air Handler

**Digit 3 – Convertibility**

M = Multi-positional 4-way  
F = Upflow Front Return, 3-way  
T = 3-way

**Digit 4 – Product Tier**

2 = Good. Entry Level Feature Set  
4 = Better. Retail Replacement Mid Efficiency  
5 = Better. Entry Level High Efficiency, Multi-Speed  
7 = Best. Retail Replacement High Efficiency, Variable-Speed  
8 = Best. Retail Ultimate High Efficiency, Variable-Speed  
9 = Best, Comm/24V Variable-Speed  
G = Best. Geothermal

**Digit 5 – Major Design Change**

**Digit 6 – No Descriptor**

0 = Air Handler / Coil

**Digit 7 – Size (Footprint)**

A = 17.5 x 21.8  
B = 21.3 x 21.8  
C = 23.5 x 21.8

**Digits 8, 9 – Cooling Size: Air Handler or Coil**

0-9 = AH Coil - 1000 BTU's (18, 24, 30, 36, 42, 48, 60)

**Digits 10, 11 – Airflow Type & Capacity**

S = Low Efficiency PSC, 1-5 Nominal Tonnage (cfm/ton)  
M = Mid Efficiency Multi-Speed, 1-5 Nominal Tonnage (cfm/ton)  
H = High Efficiency Variable Speed, 1-5 Nominal Tonnage (cfm/ton)  
V = High Efficiency Variable Speed, 1-5 Nominal Tonnage (cfm/ton)

**Digit 12 – Power Supply**

1 = 208-230/60/1

**Digit 13 – System Control Type**

S = Standard - 24 VAC  
C = CLII 13.8 VDC  
E = Black Epoxy Coil

**Digit 14 – Minor Design Change**

**Digit 15 – Unit Parts Identifier**

Part No.	Reference No.	Quantity	Description
75010531_GAM5BUP2_118012~ P	*		MODEL NUMBER DESCRIPTION PARTS LIST

**MODEL NUMBER DESCRIPTION**  
**AIR HANDLER**

75010531

REV  
A

*Example Model Number:*  
**GAM5B0B36M31SAA**  
1 - - - - 5 - - - - 10 - - - - 15

**Digit 1 – Brand**

- T = Trane
- G = Good (Trane Branded)

**Digit 2 – Product Type**

- A = Air Handler

**Digit 3 – Convertibility**

- M = Multi-positional 4-way
- F = Upflow Front Return, 3-way
- T = 3-way

**Digit 4 – Product Tier**

- 2 = Good. Entry Level Feature Set
- 4 = Better. Retail Replacement Mid Efficiency
- 5 = Better. Entry Level High Efficiency, Multi-Speed
- 7 = Best. Retail Replacement High Efficiency, Variable-Speed
- 8 = Best. Retail Ultimate High Efficiency, Variable-Speed
- 9 = Best, Comm/24V Variable-Speed
- G = Best. Geothermal
- X = Premium, Link Communicating /24V

**Digit 5 – Major Design Change**

**Digit 6 – No Descriptor**

- 0 = Air Handler / Coil

**Digit 7 – Size (Footprint)**

- A = 17.5 x 21.8
- B = 21.3 x 21.8
- C = 23.5 x 21.8

**Digits 8, 9 – Cooling Size: Air Handler or Coil**

- 0-9 = AH Coil - 1000 BTU's (18, 24, 30, 36, 42, 48, 60)

**Digits 10, 11 – Airflow Type & Capacity**

- S = Low Efficiency PSC, 1-5 Nominal Tonnage (cfm/ton)
- M = Mid Efficiency Multi-Speed, 1-5 Nominal Tonnage (cfm/ton)
- H = High Efficiency Variable Speed, 1-5 Nominal Tonnage (cfm/ton)
- V = High Efficiency Variable Speed, 1-5 Nominal Tonnage (cfm/ton)

**Digit 12 – Power Supply**

- 1 = 208-230/60/1

**Digit 13 – System Control Type**

- S = Standard - 24 VAC
- C = CLII 13.8 VDC
- E = Black Epoxy Coil

**Digit 14 – Minor Design Change**

**Digit 15 – Unit Parts Identifier**

