

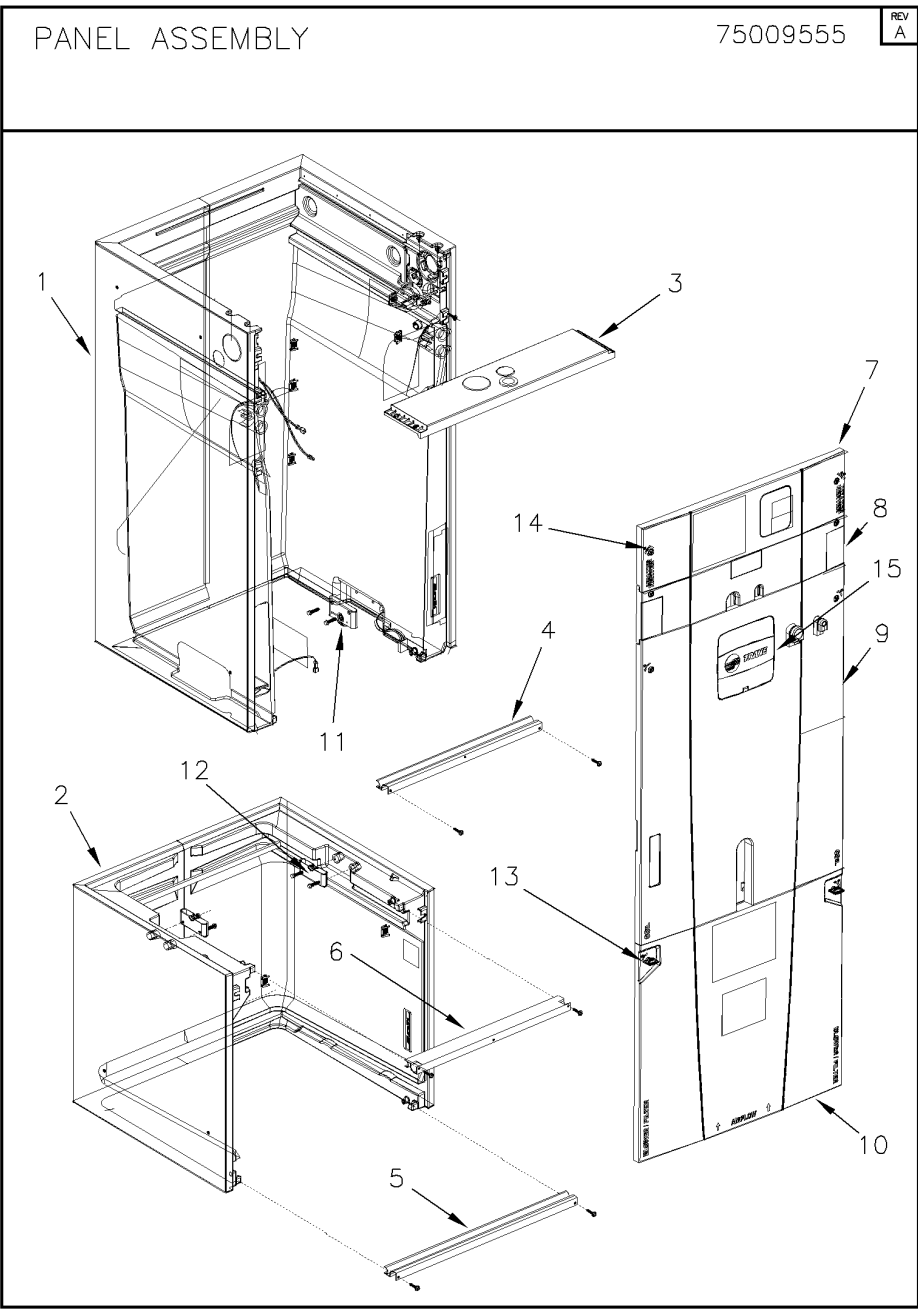
Part No.	Reference No.	Quantity	Description
75009557#GAM5BUP1~S	*		BLOWER ASSEMBLY
75009555#GAM5BUP1~S	*		CABINET ASSEMBLY
75009701#GAM5BUP1~S	*		COIL ASSEMBLY
75010226#GAM5BUP1~S	*		CONTROL PANEL ASSEMBLY
GAM5B1_GAM5BUP1_235581~P	*		GAM5BUP1 PARTS LIST
75009571#GAM5BUP1~S	*		MODEL NOMENCLATURE
OPTIONS#GAM5BUP1~S	*		OPTIONAL EQUIPMENT

NO GRAPHIC AVAILABLE

75013702

REV
A

**NO
GRAPHIC
AVAILABLE**



Parts List Number :GAM5B1#GAM5BUP1

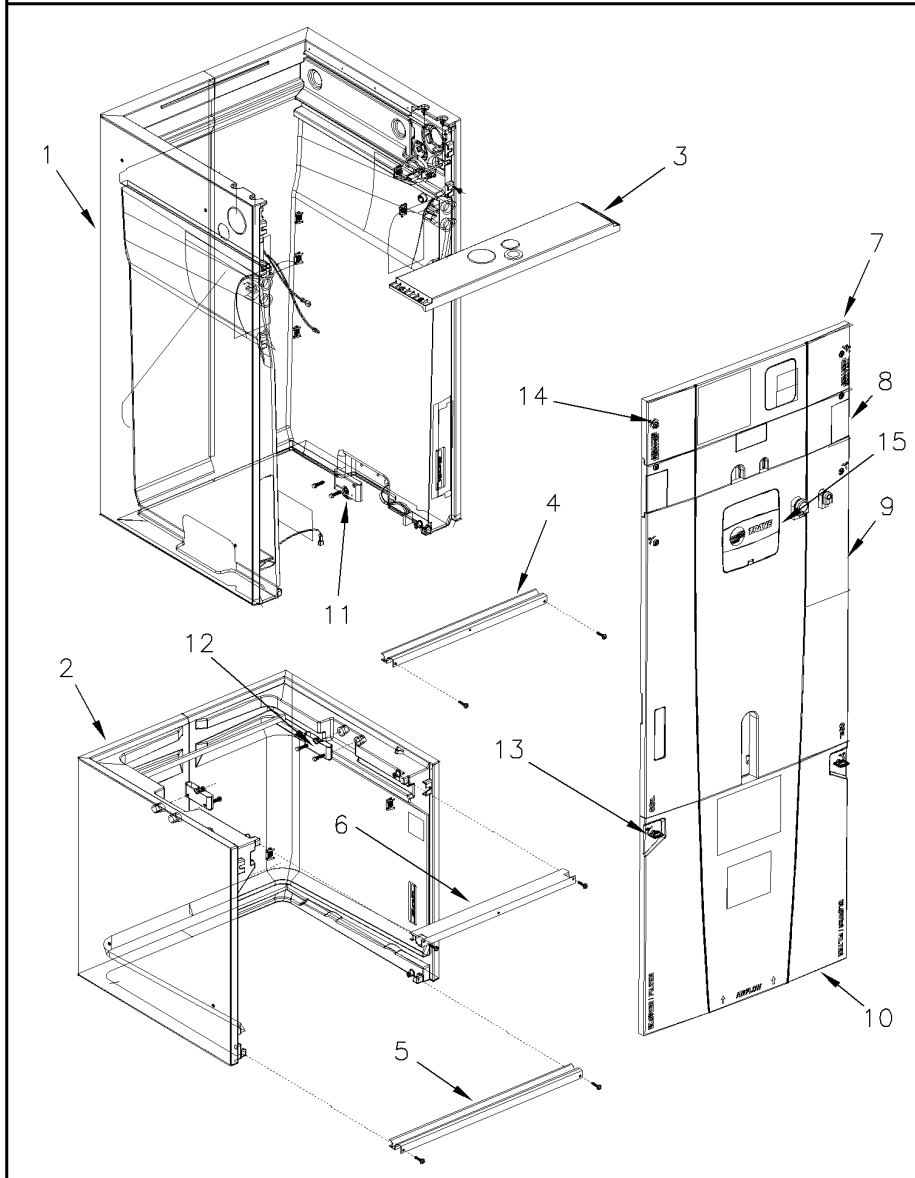
Model Number :GAM5B0A18M11SAA

Part No.	Reference No.	Quantity	Description
75009555_GAM5BUP1_359383~ P	*		CABINET ASSEMBLY PARTS LIST

PANEL ASSEMBLY

75009555

REV
A



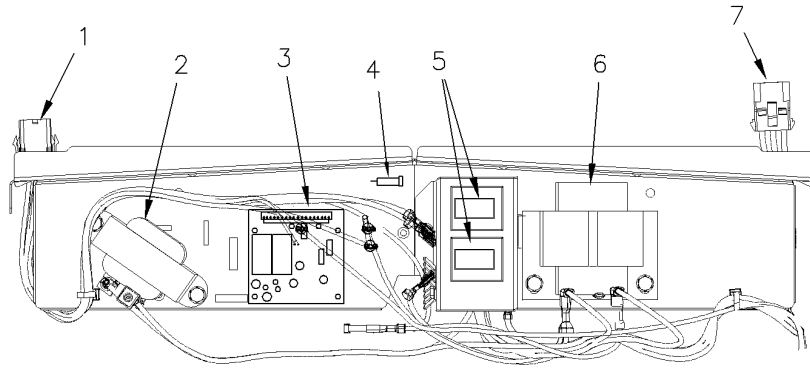
Part No.	Reference No.	Quantity	Description
GRM01009	*	1	GROMMET; 3/8 INCH LINE SET
KIT15955	*	1	KIT; RECEPTACLE 1/2 TURN FASTENER, INCLUDES 24 PIECES
PAI00248	*	1	PAINT; 12 OZ SPRAY, ANTHRACITE GRAY (SHIPPING UOM 12 OZ HAZ)
CBT01771	1	1	CABINET; WRAPPER
CBT01629	2	1	CAB-BLOWER; A; SUB
PNL27143	3	1	PANEL; TOP ASSEMBLY, 14.4 x 4.9
PNL27154	7	1	PANEL; HEATER, 17.2 x 6.2
PNL27157	8	1	PANEL; FIXED, 17.2 x 5.5
PNL27149	9	1	PANEL; COIL ASSEMBLY, 17.7 x 17.2
PNL28890	10	1	PANEL; BLOWER, ANTHRACITE GRAY, 17.02 W X 21.04 H
LAT00887	11	1	LATCH; RECEPTACLE ROTARY
LAT00885	12	1	LATCH; RECEPTACLE ROTARY
KIT15812	13	1	KIT; LATCH BAIL QTR TURN PANEL MOUNTING HARDWARE (BLOWER DOOR)
KIT15813	14	1	KIT; LATCH QTR TURN PANEL MOUNTING HARDWARE (HEATER DOOR)
PLT04630	15	1	PLATE; NAMEPLATE ASSEMBLY - TRANE

Controls

75010226

REV
A

Typical illustration. Unit may not appear exactly as shown.



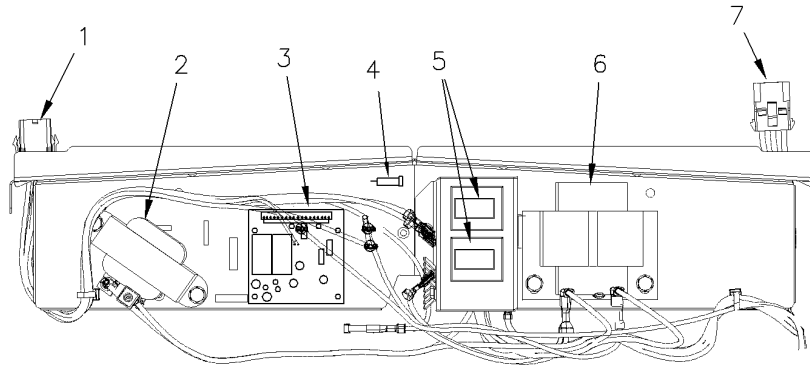
Part No.	Reference No.	Quantity	Description
75010226_GAM5BUP1_235588~ P	*		CONTROL PANEL ASSEMBLY PARTS LIST

Controls

75010226

REV
A

Typical illustration. Unit may not appear exactly as shown.



Parts List Number :GAM5B1#GAM5BUP1

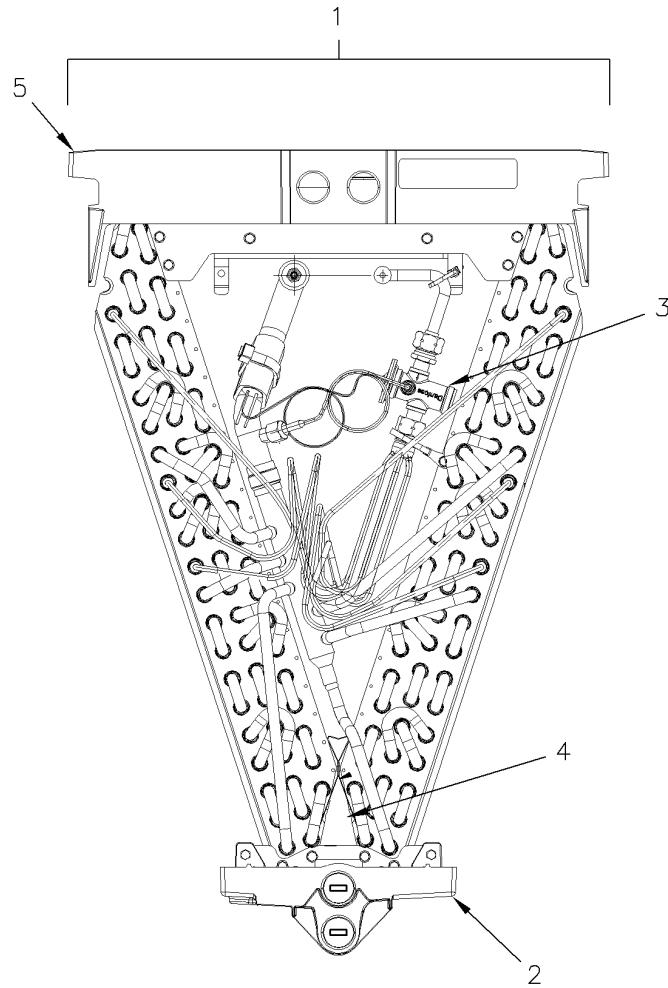
Model Number :GAM5B0A18M11SAA

Part No.	Reference No.	Quantity	Description
BRK04142	*	1	BRACKET; DOOR SWITCH
KIT16176	*	1	KIT; WIRE HARNESS HEATER, 24 VAC
CNT05981	3	1	CONTROL; PCB BOARD, ELECTRONIC TIME DELAY RELAY, 2 SPEED
FUS01089	4	1	FUSE; 5 AMP, TAN, AUTOMOTIVE STYLE
KIT16151	5	1	KIT; DOOR SWITCH, INCLUDES QUANTITY OF 2 DOOR SWITCHES, 1 BRACKET AND 1 TERMINAL STRIP
SWT01714	5	2	SWITCH; DOOR SPST, 21 AMP, 125/250VAC
TRR02266	6	1	TRANSFORMER; 50VA, 208/240V PRI, 24V SEC
WIR05332	7	1	WIRE; HARNESS, HIGH VOLTAGE

COIL ASSEMBLY

75009701

REV
A



Parts List Number :GAM5B1#GAM5BUP1

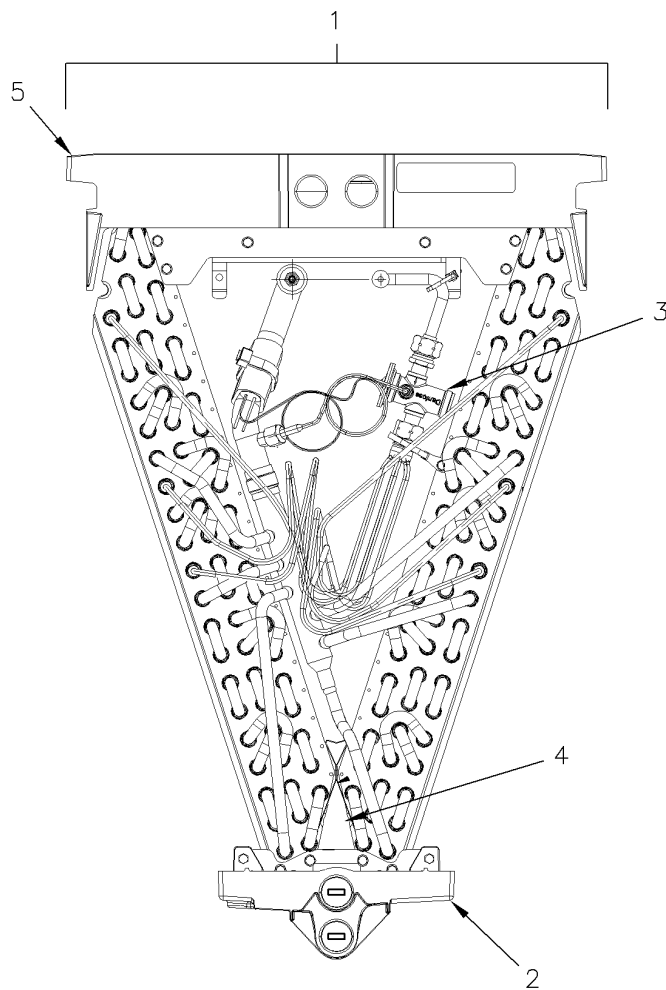
Model Number :GAM5B0A18M11SAA

Part No.	Reference No.	Quantity	Description
75009701_GAM5BUP1_330314~ P	*		COIL ASSEMBLY PARTS LIST

COIL ASSEMBLY

75009701

REV
A

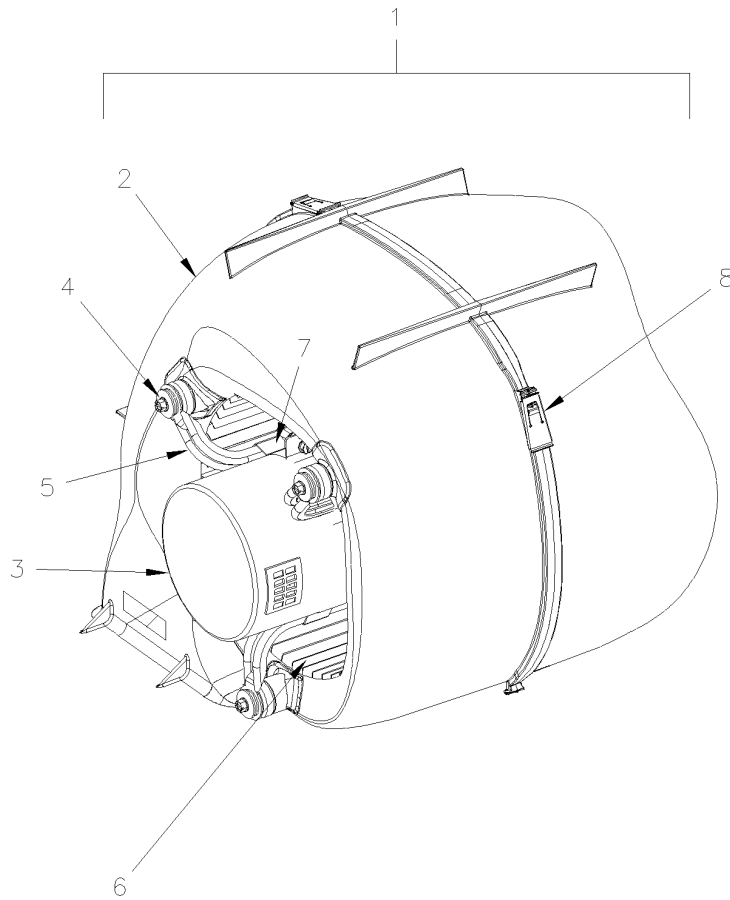


Part No.	Reference No.	Quantity	Description
BAF01360	*	1	BAFFLE; COIL FRONT BAFFLE KIT, INCLUDES RIGHT AND LEFT BAFFLE
BAF01368	*	1	BAFFLE; COIL REAR BAFFLE KIT, INCLUDES RIGHT AND LEFT BAFFLE
NUT01223	*	1	NUT; HEX NUT, 7/8, 3/4-20-2B UNEF THREAD
WAS01180	*	2	WASHER; TEFLON, 0.46 ID X 0.56 OD X 0.056 THK
COL19093	1	1	COIL; COIL ONLY
PAN03098	2	1	PAN; DRAIN UP FLOW, 19.5 X 7.3
TUB13396	3	1	TUBE; LIQUID, WITH FLANGE, STRAINER, NUT01223 AND (2) WAS01180
VAL11005	3	1	VALVE: TXV EXPANSION VALVE ASSEMBLY
DIV00225	4	1	DIVERter; AIR DIVERter 14.8T X 5.9W X 4.8T
PAN03092	5	1	PAN; DRAIN DOWN FLOW, 14.4 X 19.6

BLOWER ASSEMBLY

75009557

REV
A

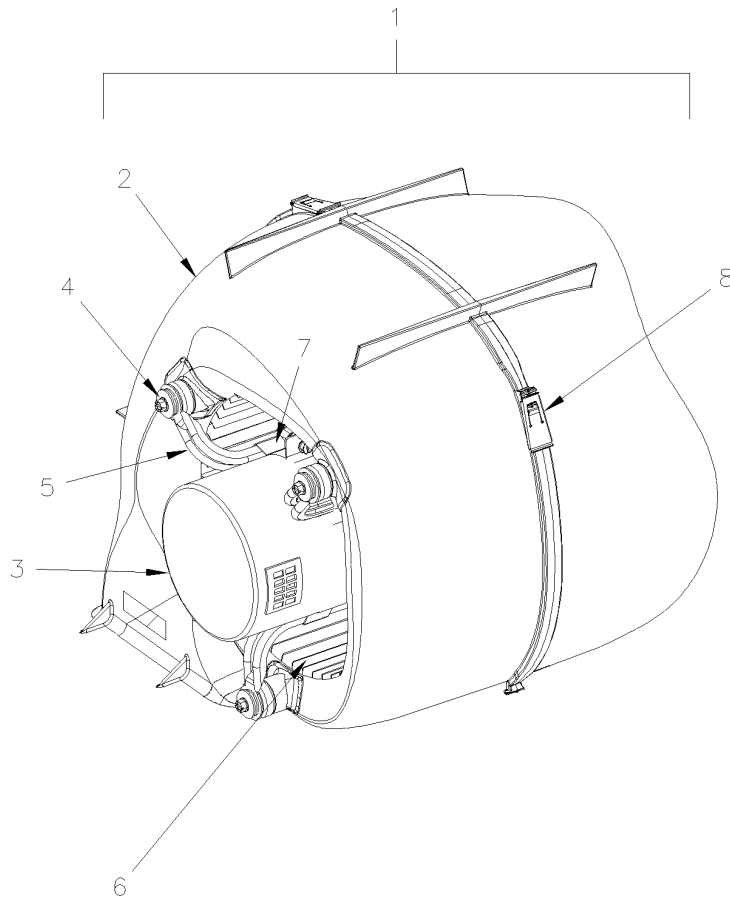


Part No.	Reference No.	Quantity	Description
75009557_GAM5BUP1_359384~ P	*		BLOWER ASSEMBLY PARTS LIST

BLOWER ASSEMBLY

75009557

REV
A



Part No.	Reference No.	Quantity	Description
BND00910	*	1	BAND; MOTOR MOUNT
NUT01063	*	1	NUT; LOCKING NYLON
HUS03895	2	1	HOUSING; MOLDED BLOWER, INCLUDES LEFT & RIGHT MOLDED HALF & CLP01123 QTY OF 4
MOT13905	3	1	MOTOR; CONSTANT TORQUE, 1/3 HP, 230/60/1, 1050-400 RPM, CCW
SCR02112	4	3	SCREW; ASSEMBLY-MOTOR MOUNT
BRK04223	5	3	BRACKET; MOTOR ARM
WHL02916	6	1	WHEEL; BLOWER, 11 IN DIA, 8 IN WIDTH, 0.50 IN BORE, CW
CLP01123	8	1	CLIP; CLEAT-BLOWER

OPTIONAL EQUIPMENT

Parts List Number :GAM5B1#GAM5BUP1

Model Number :GAM5B0A18M11SAA

Part No.	Reference No.	Quantity	Description
OPTIONS_GAM5BUP1_330315~ P	*		OPTIONAL EQUIPMENT PARTS LIST

NO GRAPHIC AVAILABLE

75013702

REV
A

**NO
GRAPHIC
AVAILABLE**

Part No.	Reference No.	Quantity	Description
BAYEAC10LG3AA	*	1	HEATER; 10 KW HEATER 208/240/3(BAYEAC10LG3AA)
HTR11104	*	1	HEATER; HEATER ASSY, 5KW , (BAYEAC05BK1AAA)
HTR11105	*	1	HEATER; HEATER ASSY, 5KW , (BAYEAC05LG1AAA)
HTR11106	*	1	HEATER; HEATER ASSY, 8KW , (BAYEAC08BK1AAA)
HTR11107	*	1	HEATER; HEATER ASSY, 8KW , (BAYEAC08LG1AAA)
HTR11108	*	1	HEATER; HEATER ASSY, 10KW , (BAYEAC10BK1AAA)
HTR11109	*	1	HEATER; HEATER ASSY, 10KW , (BAYEAC10LG1AAA)
KIT15759	*	1	KIT; DUCT FLANGE ASSEMBLY RETURN FOR CANINET A (BAYRETFLGAAA)
KIT15760	*	1	KIT; DUCT FLANGE ASSEMBLY SUPPLY FOR A CABINET (BAYSUPFLGAAA)
KIT15865	*	1	KIT; SIDE RETURN (BAYSRKIT100A)
KIT15866	*	1	KIT; HORIZONTAL HANGING (BAYHHKIT001A)
KIT15867	*	1	KIT; LOW VOLTAGE BOX (BAYLVKIT100A)
KIT15973	*	1	KIT; INTERNAL CONDENSATE SWITCH (BAYICKIT01A)
LIT01103	*	1	LIGHT; UV KIT (BAYUVCLK001AA)

MODEL NOMENCLATURE		75009571	REV A
AIR HANDLER MODEL NUMBER			
Example; G A M 2 A 0 A <u>3</u> <u>6</u> <u>S</u> <u>3</u> 1 S A A			
<p>DIGIT 1 (Brand) A = Am. Std. T = Trane G = Both Brands</p>		<p>DIGIT 10 & DIGIT 11 (Airflow Type & Cap.) S = Low Effy. PSC, 1-5 nom. Tonnage (cfm/ton) M = Mid Effy. Multi-speed, 1-5 nom. Tonnage (cfm/ton) H = High Effy. Multi-speed, 1-5 nom. Tonnage (cfm/ton) V = High Effy. Variable, 1-5 nom. Tonnage (cfm/ton)</p>	
<p>DIGIT 2 (Product Type) A = Air Handler E = Electric Heater H = Hydronic Coil</p>		<p>DIGIT 12 (Power Supply) 1 = 208-230/1/60 9 = 115/1/60</p>	
<p>DIGIT 3 (Convertability) U = Up Flow Only H = Horizontal Only M = Multi-poise 4-way F = Up Flow Front Return, 3-way T = 3-way</p>		<p>DIGIT 13 (System Control Type) S = Standard - 24 VAC C = CLII 13.8 VDC</p>	
<p>DIGIT 4 (Product Tier) 0 = 2 = Good, Entry Level Feature Set 4 = Better, Retail Replacement Mid Effy. 6 = 7 = Best, Retail Replacement High Effy., Variable-speed 8 = Best, Retail Ultimate High Effy., Variable-speed 9 =</p>		<p>DIGIT 14 (Minor Design Modifications) A = Letter Sequence</p>	
<p>DIGIT 5 (Major Design Modifications) A = Letter Sequence</p>		<p>DIGIT 15 (Unit Parts Identifier) A = Letter Sequence</p>	
<p>DIGIT 6 (No Descriptor) 0 = Air Handler/Coil 9 = Accessory Kit</p>			
<p>DIGIT 7 (Size [footprint]) A = 17.5 x 21.5 B = 21.0 x 21.5 C = 23.5 x 21.5</p>			
<p>DIGIT 8 & DIGIT 9 (Cooling Size) Air Handler or Coil 0-9 = AH Coil-1,000 BTU's (18, 24, 30, 36, 42, 48, 60) Electric Heat Input 0-9 = Electric Heat-kW (05, 08, 10, 15, 20, 25) Hydronic Nom. Cap. 0-9 = Hydronic Heat-10,000 Btu</p>			

Parts List Number :GAM5B1#GAM5BUP1

Model Number :GAM5B0A18M11SAA

Part No.	Reference No.	Quantity	Description
75009571_GAM5BUP1_235586~ P	*		MODEL NOMENCLATURE PARTS LIST

MODEL NOMENCLATURE		75009571	REV A
AIR HANDLER MODEL NUMBER			
Example; G A M 2 A 0 A <u>3</u> <u>6</u> <u>S</u> <u>3</u> 1 S A A			
DIGIT 1 (Brand) A = Am. Std. T = Trane G = Both Brands		DIGIT 10 & DIGIT 11 (Airflow Type & Cap.) S = Low Effy. PSC, 1-5 nom. Tonnage (cfm/ton) M = Mid Effy. Multi-speed, 1-5 nom. Tonnage (cfm/ton) H = High Effy. Multi-speed, 1-5 nom. Tonnage (cfm/ton) V = High Effy. Variable, 1-5 nom. Tonnage (cfm/ton)	
DIGIT 2 (Product Type) A = Air Handler E = Electric Heater H = Hydronic Coil		DIGIT 12 (Power Supply) 1 = 208-230/1/60 9 = 115/1/60	
DIGIT 3 (Convertability) U = Up Flow Only H = Horizontal Only M = Multi-poise 4-way F = Up Flow Front Return, 3-way T = 3-way		DIGIT 13 (System Control Type) S = Standard - 24 VAC C = CLII 13.8 VDC	
DIGIT 4 (Product Tier) 0 = 2 = Good, Entry Level Feature Set 4 = Better, Retail Replacement Mid Effy. 6 = 7 = Best, Retail Replacement High Effy., Variable-speed 8 = Best, Retail Ultimate High Effy., Variable-speed 9 =		DIGIT 14 (Minor Design Modifications) A = Letter Sequence	
DIGIT 5 (Major Design Modifications) A = Letter Sequence		DIGIT 15 (Unit Parts Identifier) A = Letter Sequence	
DIGIT 6 (No Descriptor) 0 = Air Handler/Coil 9 = Accessory Kit			
DIGIT 7 (Size [footprint]) A = 17.5 x 21.5 B = 21.0 x 21.5 C = 23.5 x 21.5			
DIGIT 8 & DIGIT 9 (Cooling Size) Air Handler or Coil 0-9 = AH Coil-1,000 BTU's (18, 24, 30, 36, 42, 48, 60) Electric Heat Input 0-9 = Electric Heat-kW (05, 08, 10, 15, 20, 25) Hydronic Nom. Cap. 0-9 = Hydronic Heat-10,000 Btu			

