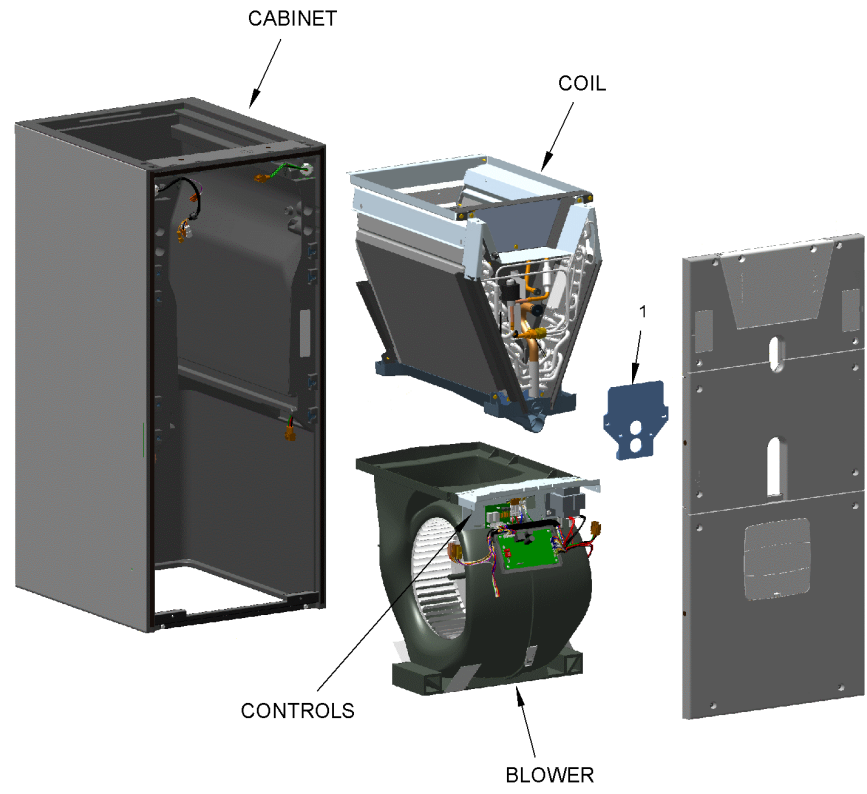


AIR HANDLER

75010514

REV
A

TYPICAL ILLUSTRATION



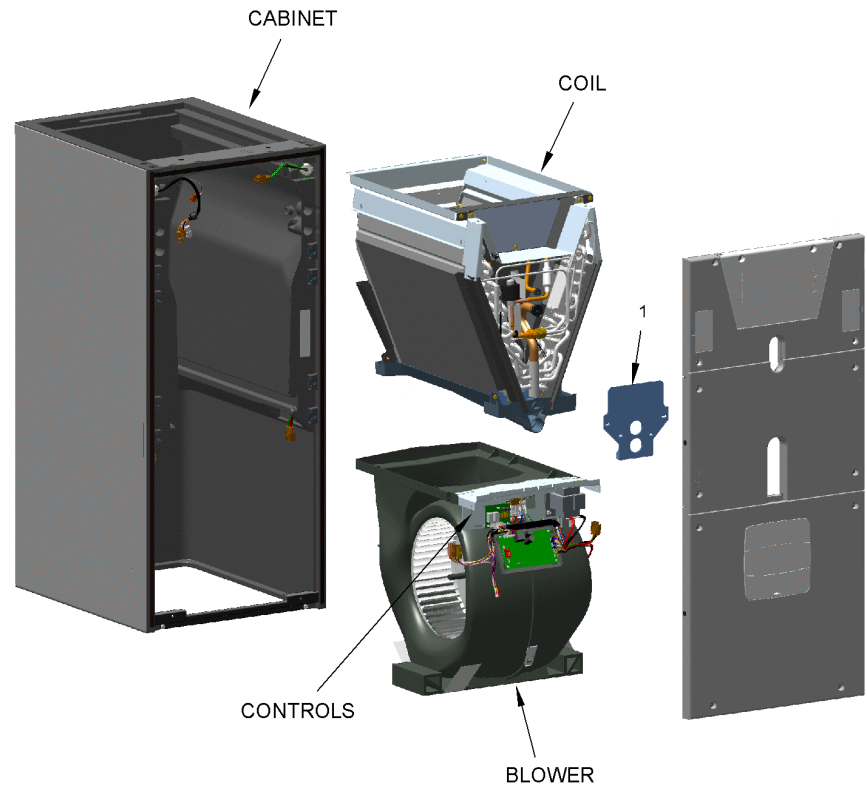
Part No.	Reference No.	Quantity	Description
75010514_GAF2AUP2_202659~P	*		AIR HANDLER PARTS LIST
75010504#GAF2AUP2~S	*		BLOWER
75010516#GAF2AUP2~S	*		CABINET
75010515#GAF2AUP2~S	*		COIL
75010512#GAF2AUP2~S	*		CONTROL PANEL
75010531#GAF2AUP2~S	*		MODEL NUMBER DESCRIPTION
OPTIONS#GAF2AUP2~S	*		OPTIONAL ACCESSORIES

AIR HANDLER

75010514

REV.
A

TYPICAL ILLUSTRATION



Parts List Number :75010514#GAF2AUP2

Model Number :GAF2A0A36M31ECB

Part No.	Reference No.	Quantity	Description
BUS00324	*	1	BUSHING; SNAP, .562 OD, .50 MOUNTING HOLE DIAMETER, BLACK NYLON .135 THICK
GRM01014	*	1	GROMMET-LINESET
NUT01226	*	1	NUT-CONDUIT
PLU01169	*	1	PLUG; THREADED 3/4
WIR06512	*	1	WIRE; HARNESS, JUNCTION, 16 AWG, 3 PIN, (BK,RD,GR) 12 IN LENGTH
PLT05022	1	1	PLATE: SEAL, 6.32 X 6.30

BLOWER

75010504

REV
A

TYPICAL ILLUSTRATION



Parts List Number :75010514#GAF2AUP2

Model Number :GAF2A0A36M31ECB

Part No.	Reference No.	Quantity	Description
75010504_GAF2AUP2_326557~P	*		BLOWER PARTS LIST

BLOWER

75010504

REV
A

TYPICAL ILLUSTRATION



BLOWER PARTS LIST

Parts List Number :75010514#GAF2AUP2

Model Number :GAF2A0A36M31ECB

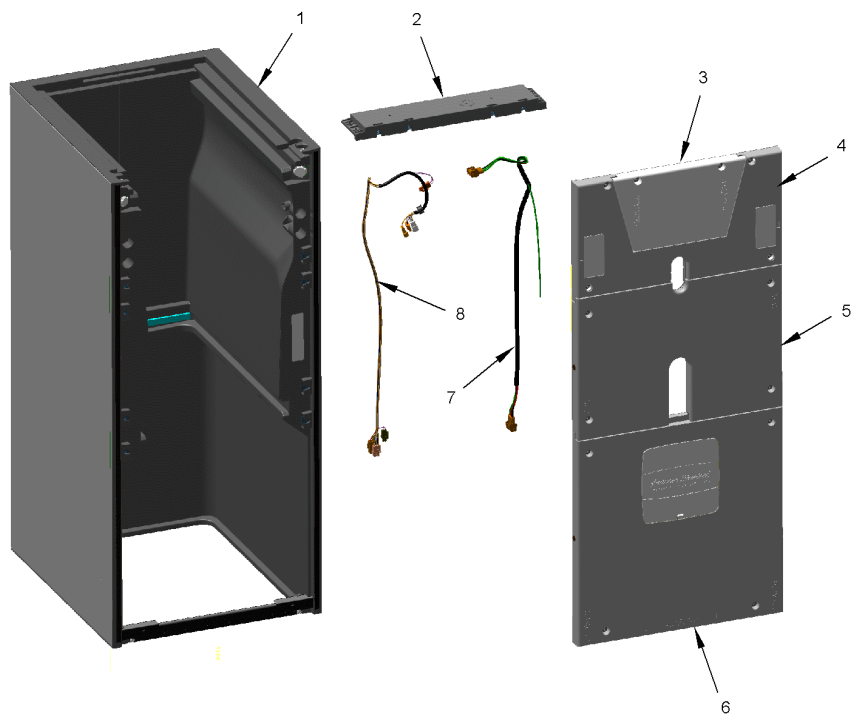
Part No.	Reference No.	Quantity	Description
CMP01415	1	4	CLAMP; BLOWER HOUSING CLEAT
WHL02916	2	1	WHEEL; BLOWER, 11 IN DIA, 8 IN WIDTH, 0.50 IN BORE, CW
HUS03895	3	1	HOUSING; MOLDED BLOWER, INCLUDES LEFT & RIGHT MOLDED HALF & CLP01123 QTY OF 4
MOT14191	4	1	MOTOR; CONSTANT TORQUE, 1/2 HP, 230/60/1, 1050-400 RPM, CCW
NUT01063	5	1	NUT; LOCKING NYLON
SCR01584	5	1	BOLT; 1/4-20 MA HX 1.5 S
BND00910	6	1	BAND; MOTOR MOUNT
BRK04223	7	3	BRACKET; MOTOR ARM
SCR02112	8	3	SCREW; ASSEMBLY-MOTOR MOUNT

CABINET

75010516

REV.
A

TYPICAL ILLUSTRATION



Parts List Number :75010514#GAF2AUP2

Model Number :GAF2A0A36M31ECB

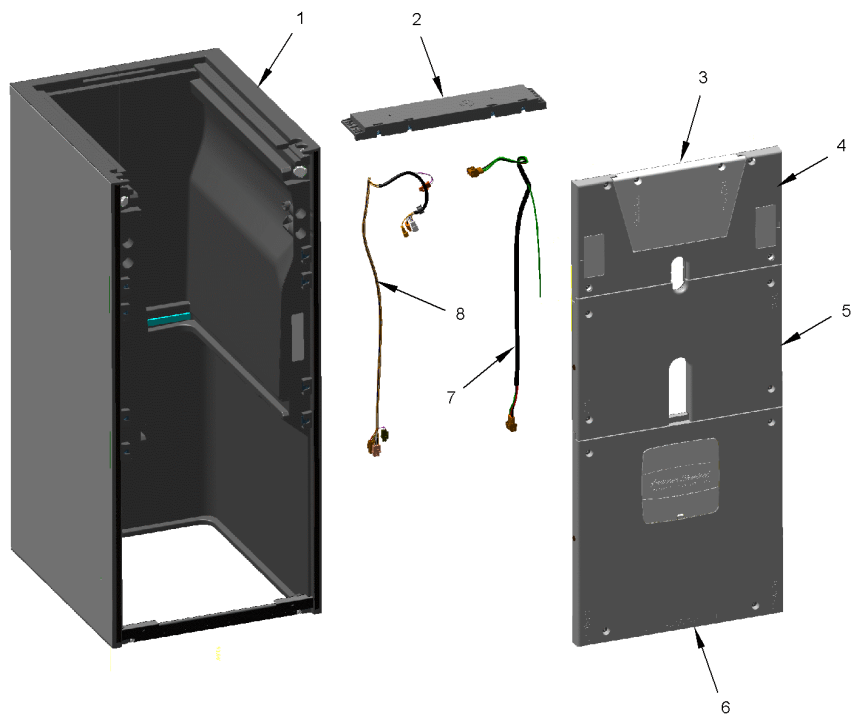
Part No.	Reference No.	Quantity	Description
75010516_GAF2AUP2_326560~P	*		CABINET PARTS LIST

CABINET

75010516

REV.
A

TYPICAL ILLUSTRATION



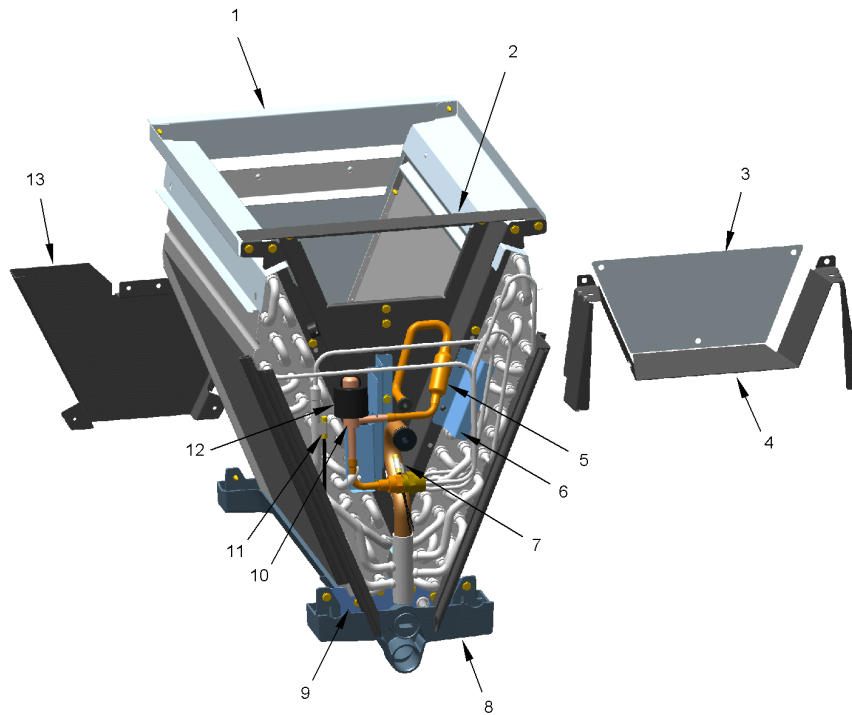
Part No.	Reference No.	Quantity	Description
CBT01802	1	1	CAB-COIL; A1-36M; SUB
PNL31499	2	1	PANEL; TOP
PNL31444	3	1	PANEL; HEATER ACCESS
WAS01176	3	4	WASHER; BLACK RUBBER, 0.75 OUTER DIA X 0.17 INNER DIA X 0.093 THICK
COV04332	4	2	COVER; CONDENSATE DOWN FLOW, 3.4 X 1.6
PNL31440	4	1	PANEL; FIXED
WAS01176	4	4	WASHER; BLACK RUBBER, 0.75 OUTER DIA X 0.17 INNER DIA X 0.093 THICK
PNL31432	5	1	PANEL; COIL ACCESS
WAS01176	5	4	WASHER; BLACK RUBBER, 0.75 OUTER DIA X 0.17 INNER DIA X 0.093 THICK
PNL31436	6	1	PANEL; BLOWER ACCESS
WAS01176	6	4	WASHER; BLACK RUBBER, 0.75 OUTER DIA X 0.17 INNER DIA X 0.093 THICK
WIR07397	7	1	WIRE; HARNESS, CONTROL BOX, HIGH VOLT, 34 IN LENGTH, 3 WIRES-16 AWG (BK,GR,RD) 1 WIRE-18 AWG (GR)
WIR07389	8	1	WIRE; HARNESS, LOW VOLT/HEAT CONTROL, 34 IN LENGTH, 2 WIRES-22 AWG (PR,WH)

COIL

75010515

REV
A

TYPICAL ILLUSTRATION



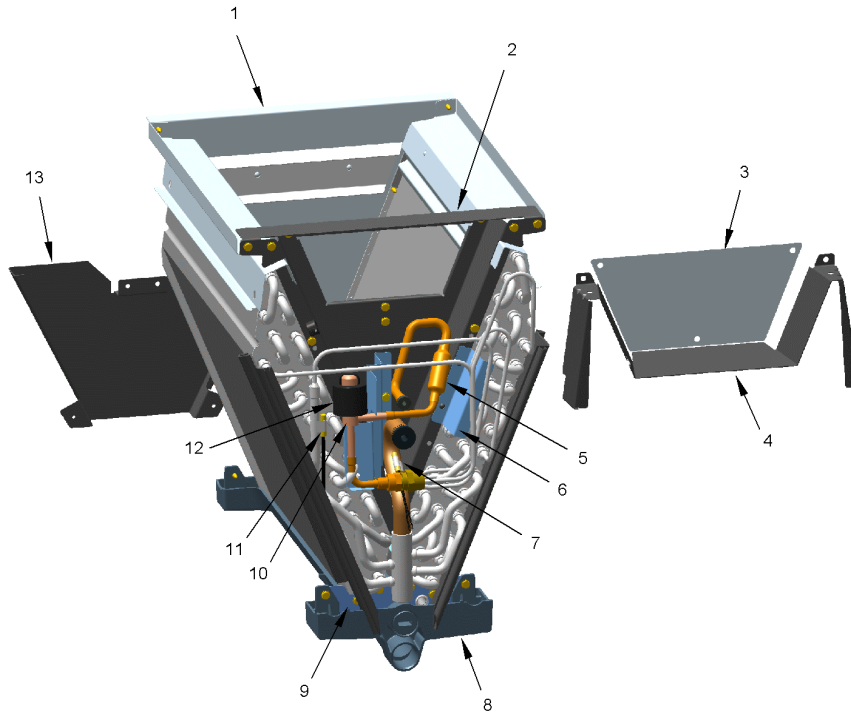
Part No.	Reference No.	Quantity	Description
75010515_GAF2AUP2_326559-P	*		COIL PARTS LIST

COIL

75010515

REV.
A

TYPICAL ILLUSTRATION



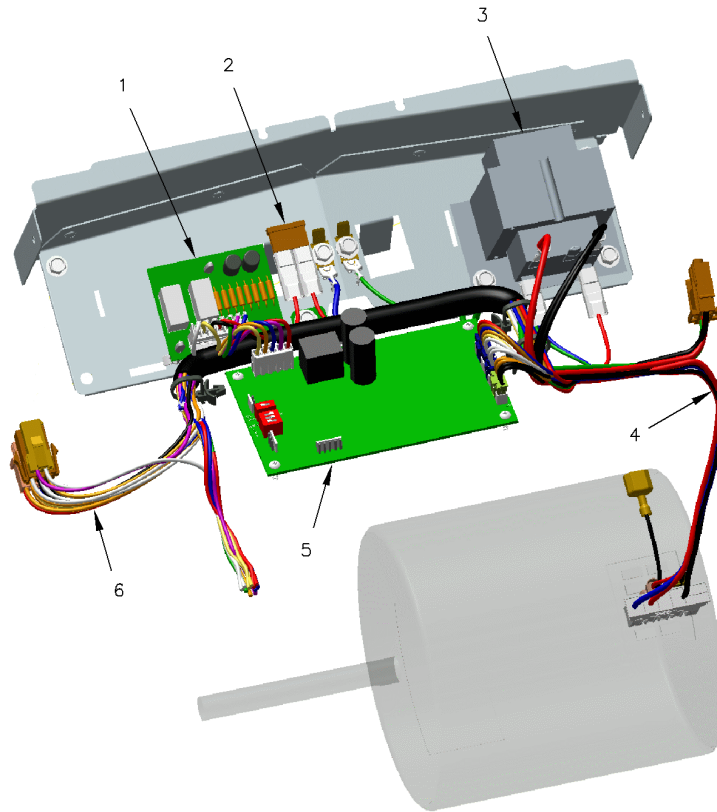
Part No.	Reference No.	Quantity	Description
BAF01359	*	1	BAFFLE; COIL FRONT BAFFLE KIT, INCLUDES RIGHT AND LEFT BAFFLE
DIV00329	*	1	DIVERTER; WATER, 16.31 L X 1.30 W X 1.97 H
GKT04557	*	4	GASKET; NEOPRENE/EPDM BLEND, 2.75 L
PLU01169	*	1	PLUG; THREADED 3/4
COL18022	1	1	COIL; BLACK EPOXY
BAF01386	2	1	BAFFLE; FRONT COIL
PLT04857	3	1	PLATE; HEATER BLOCK-OFF
DIV00328	4	1	DIVERTER; BAFFLE WRAPPER
SRN00973	5	1	STRAINER; COPPER, 2.75 L, 0.38 ID X 0.32 ID
SHD00562	6	1	SHIELD; COIL, ALUMINUM, 3.50 L
SEN02124	7	1	SENSOR; SAT. LINE TEMPERATURE SENSOR, 25 INCH ORANGE LEAD WIRES, FOR 3/8 TUBING
PAN03096	8	1	PAN; DRAIN UP FLOW, 19.5 X 7.3
BRK04378	9	1	BRACKET; UF PAN
TUB12980	10	1	TUBE; ASSEMBLY, INCLUDES EEV VALVE & STRAINER
VAL10196	10	1	VALVE; EEV
SEN02134	11	1	SENSOR; THERMISTOR TEMPERATURE SENSOR, 30 INCH BLACK LEAD WIRES, CLIP FOR 3/4 TUBING
MOT15213	12	1	MOTOR; EEV STEPPER MOTOR
PAN03274	13	1	PAN; DRIP TRAY

CONTROLS

75010512

REV.
A

TYPICAL ILLUSTRATION



Parts List Number :75010514#GAF2AUP2

Model Number :GAF2A0A36M31ECB

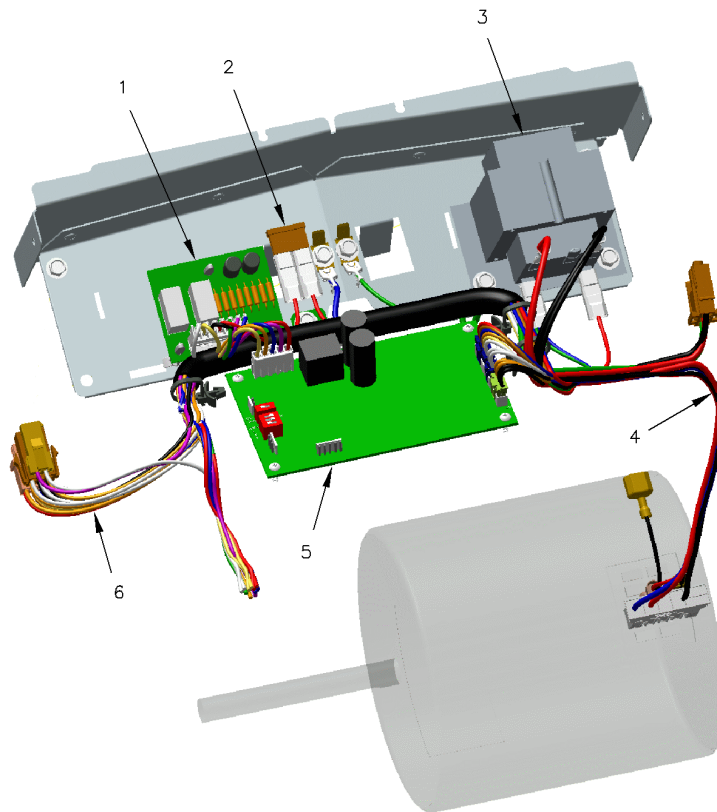
Part No.	Reference No.	Quantity	Description
75010512_GAF2AUP2_326558-P	*		CONTROL PANEL PARTS LIST

CONTROLS

75010512

REV.
A

TYPICAL ILLUSTRATION



Part No.	Reference No.	Quantity	Description
CNT06951	1	1	CONTROL; HIF CONTROL
FUS01089	2	1	FUSE; 5 AMP, TAN, AUTOMOTIVE STYLE
TRR02266	3	1	TRANSFORMER; 50VA, 208/240V PRI, 24V SEC
WIR07395	4	1	WIRE; HARNESS, CONTROL BOX, HIGH VOLT, 15 IN LENGTH, 3 WIRES-16 AWG (BK,GR,RD), W WIRES-18 AWG (BK,BL,RD)
CNT06902	5	1	CONTROL; BOARD ASSEMBLY, ELECTRONIC VALVE CONTROL
WIR07390	6	1	WIRE; HARNESS, CONTROL BOX, LOW VOLT, 19 IN LENGTH, 31 WIRES-20 AWG (BK,BL,BR,GR,OR,PR,RD,WH,YL)

OPTIONAL ACCESSORIES

Parts List Number :75010514#GAF2AUP2

Model Number :GAF2A0A36M31ECB

Part No.	Reference No.	Quantity	Description
OPTIONS_GAF2AUP2_326561~P	*		OPTIONAL ACCESSORIES PARTS LIST

NO GRAPHIC AVAILABLE

75013702

REV
A

**NO
GRAPHIC
AVAILABLE**

Part No.	Reference No.	Quantity	Description
BAYECAA05LG1AA	*	1	HEATER; 5KW HEATER
BAYECAA08LG1AA	*	1	HEATER; 8 KW HEATER
HTR12712	*	1	HEATER; HEATER ASSY, 10KW , (BAYECAA10LG1AA)
KIT15759	*	1	KIT; DUCT FLANGE ASSEMBLY RETURN FOR CANINET A (BAYRETFLGAAA)
KIT15865	*	1	KIT; SIDE RETURN (BAYSRKIT100A)
KIT15867	*	1	KIT; LOW VOLTAGE BOX (BAYLVKIT100A)
KIT15973	*	1	KIT; INTERNAL CONDENSATE SWITCH (BAYICKIT01A)
KIT16304	*	1	KIT; FIELD MOUNTED TXV (BAYATXV1836A)
KIT16408	*	1	KIT; FILTER BOX (BAYBRFBX100A)

MODEL NUMBER DESCRIPTION

75010531

REV.
A

AIR HANDLER

Example Model Number:

GAM5B0B36M31SAA
1 - - - 5 - - - 10 - - - 15

Digit 1 – Brand

T = Trane
G = Good (Trane Branded)

Digit 2 – Product Type

A = Air Handler

Digit 3 – Convertibility

M = Multi-positional 4-way
F = Upflow Front Return, 3-way
T = 3-way

Digit 4 – Product Tier

2 = Good. Entry Level Feature Set
4 = Better. Retail Replacement Mid Efficiency
5 = Better. Entry Level High Efficiency, Multi-Speed
7 = Best. Retail Replacement High Efficiency, Variable-Speed
8 = Best. Retail Ultimate High Efficiency, Variable-Speed
9 = Best, Comm/24V Variable-Speed
G = Best. Geothermal

Digit 5 – Major Design Change

Digit 6 – No Descriptor

0 = Air Handler / Coil

Digit 7 – Size (Footprint)

A = 17.5 x 21.8
B = 21.3 x 21.8
C = 23.5 x 21.8

Digits 8, 9 – Cooling Size: Air Handler or Coil

0-9 = AH Coil - 1000 BTU's (18, 24, 30, 36, 42, 48, 60)

Digits 10, 11 – Airflow Type & Capacity

S = Low Efficiency PSC, 1-5 Nominal Tonnage (cfm/ton)
M = Mid Efficiency Multi-Speed, 1-5 Nominal Tonnage (cfm/ton)
H = High Efficiency Variable Speed, 1-5 Nominal Tonnage (cfm/ton)
V = High Efficiency Variable Speed, 1-5 Nominal Tonnage (cfm/ton)

Digit 12 – Power Supply

1 = 208-230/60/1

Digit 13 – System Control Type

S = Standard - 24 VAC
C = CLII 13.8 VDC
E = Black Epoxy Coil

Digit 14 – Minor Design Change

Digit 15 – Unit Parts Identifier

Part No.	Reference No.	Quantity	Description
75010531_GAF2AUP2_202664-P	*		MODEL NUMBER DESCRIPTION PARTS LIST

MODEL NUMBER DESCRIPTION
AIR HANDLER

75010531

REV
A

Example Model Number:
GAM5B0B36M31SAA
1 - - - - 5 - - - - 10 - - - - 15

Digit 1 – Brand

T = Trane
G = Good (Trane Branded)

Digit 2 – Product Type

A = Air Handler

Digit 3 – Convertibility

M = Multi-positional 4-way
F = Upflow Front Return, 3-way
T = 3-way

Digit 4 – Product Tier

2 = Good. Entry Level Feature Set
4 = Better. Retail Replacement Mid Efficiency
5 = Better. Entry Level High Efficiency, Multi-Speed
7 = Best. Retail Replacement High Efficiency, Variable-Speed
8 = Best. Retail Ultimate High Efficiency, Variable-Speed
9 = Best, Comm/24V Variable-Speed
G = Best. Geothermal
X = Premium, Link Communicating /24V

Digit 5 – Major Design Change

Digit 6 – No Descriptor

0 = Air Handler / Coil

Digit 7 – Size (Footprint)

A = 17.5 x 21.8
B = 21.3 x 21.8
C = 23.5 x 21.8

Digits 8, 9 – Cooling Size: Air Handler or Coil

0-9 = AH Coil - 1000 BTU's (18, 24, 30, 36, 42, 48, 60)

Digits 10, 11 – Airflow Type & Capacity

S = Low Efficiency PSC, 1-5 Nominal Tonnage (cfm/ton)
M = Mid Efficiency Multi-Speed, 1-5 Nominal Tonnage (cfm/ton)
H = High Efficiency Variable Speed, 1-5 Nominal Tonnage (cfm/ton)
V = High Efficiency Variable Speed, 1-5 Nominal Tonnage (cfm/ton)

Digit 12 – Power Supply

1 = 208-230/60/1

Digit 13 – System Control Type

S = Standard - 24 VAC
C = CLII 13.8 VDC
E = Black Epoxy Coil

Digit 14 – Minor Design Change

Digit 15 – Unit Parts Identifier

