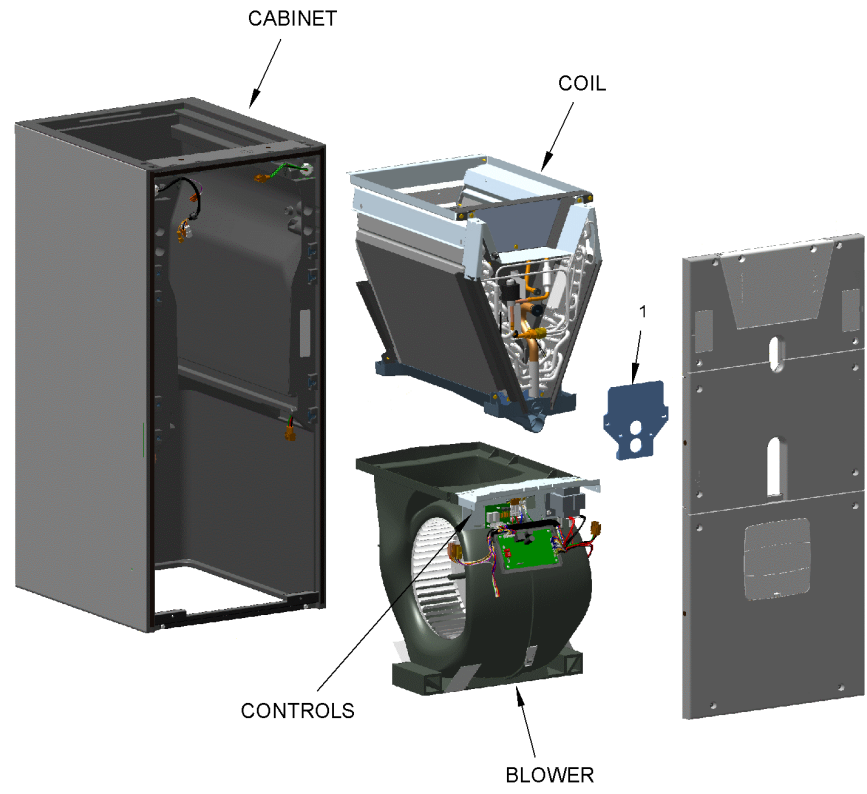


AIR HANDLER

75010514

REV  
A

TYPICAL ILLUSTRATION



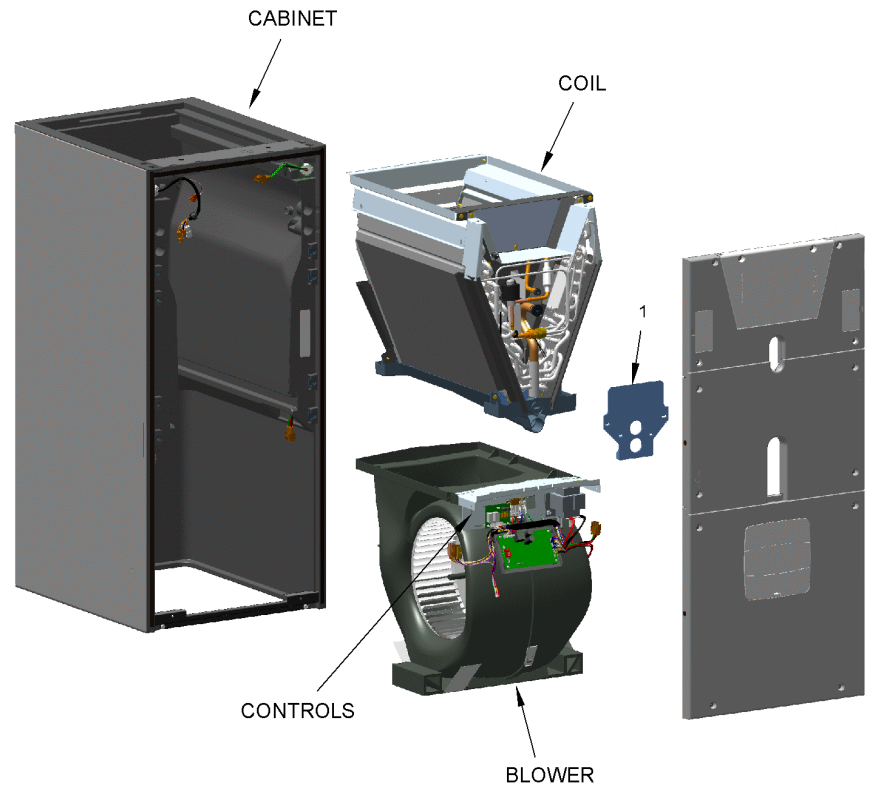
| <b>Part No.</b>            | <b>Reference No.</b> | <b>Quantity</b> | <b>Description</b>       |
|----------------------------|----------------------|-----------------|--------------------------|
| 75010514_GAF2AUP2_202659~P | *                    |                 | AIR HANDLER PARTS LIST   |
| 75010504#GAF2AUP2~S        | *                    |                 | BLOWER                   |
| 75010516#GAF2AUP2~S        | *                    |                 | CABINET                  |
| 75010513#GAF2AUP2~S        | *                    |                 | COIL                     |
| 75010511#GAF2AUP2~S        | *                    |                 | CONTROL PANEL            |
| 75010531#GAF2AUP2~S        | *                    |                 | MODEL NUMBER DESCRIPTION |
| OPTIONS#GAF2AUP2~S         | *                    |                 | OPTIONAL ACCESSORIES     |

AIR HANDLER

75010514

REV.  
A

TYPICAL ILLUSTRATION



Parts List Number :75010514#GAF2AUP2

Model Number :GAF2A0A30S21SEA

| Part No. | Reference No. | Quantity | Description  |
|----------|---------------|----------|--|
| BUS00324 | *             | 1        | BUSHING; SNAP, .562 OD, .50 MOUNTING HOLE DIAMETER, BLACK NYLON .135 THICK |
| GRM01014 | *             | 1        | GROMMET-LINESET  |
| NUT01226 | *             | 1        | NUT-CONDUIT  |
| PLU01169 | *             | 1        | PLUG; THREADED 3/4   |
| WIR06512 | *             | 1        | WIRE; HARNESS, JUNCTION, 16 AWG, 3 PIN, (BK,RD,GR) 12 IN LENGTH            |
| PLT05022 | 1             | 1        | PLATE: SEAL, 6.32 X 6.30   |

BLOWER

75010504

REV  
A

TYPICAL ILLUSTRATION



| Part No.                   | Reference No. | Quantity | Description       |
|----------------------------|---------------|----------|-------------------|
| 75010504_GAF2AUP2_250806~P | *             |          | BLOWER PARTS LIST |

BLOWER

75010504

REV  
A

TYPICAL ILLUSTRATION



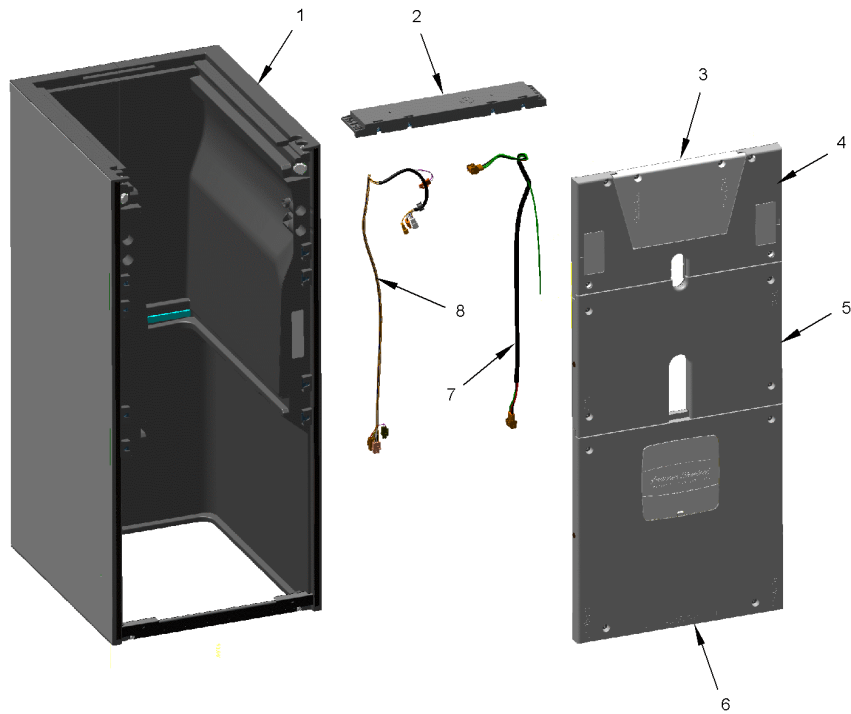
| Part No. | Reference No. | Quantity | Description   |
|----------|---------------|----------|---|
| BLW01165 | *             | 1        | BLOWER; ASSEMBLY, COMPLETE. INCLUDES HOUSING, WHEEL, BRACKETS, MOTOR          |
| CMP01415 | 1             | 4        | CLAMP; BLOWER HOUSING CLEAT   |
| WHL03049 | 2             | 1        | WHEEL; BLOWER, 10.6 IN DIA, 8 IN WIDTH, 0.50 IN BORE, CW                      |
| HUS03895 | 3             | 1        | HOUSING; MOLDED BLOWER, INCLUDES LEFT & RIGHT MOLDED HALF & CLP01123 QTY OF 4 |
| MOT14037 | 4             | 1        | MOTOR; PSC, 1/3 HP, 230V, 60 HZ, 1075 RPM, 48 FRAME, BALL BEARINGS            |
| NUT01063 | 5             | 1        | NUT; LOCKING NYLON  |
| SCR01584 | 5             | 1        | BOLT; 1/4-20 MA HX 1.5 S  |
| BND00910 | 6             | 1        | BAND; MOTOR MOUNT   |
| BRK04223 | 7             | 3        | BRACKET; MOTOR ARM  |
| SCR02112 | 8             | 3        | SCREW; ASSEMBLY-MOTOR MOUNT   |

CABINET

75010516

REV.  
A

TYPICAL ILLUSTRATION



Parts List Number :75010514#GAF2AUP2

Model Number :GAF2A0A30S21SEA

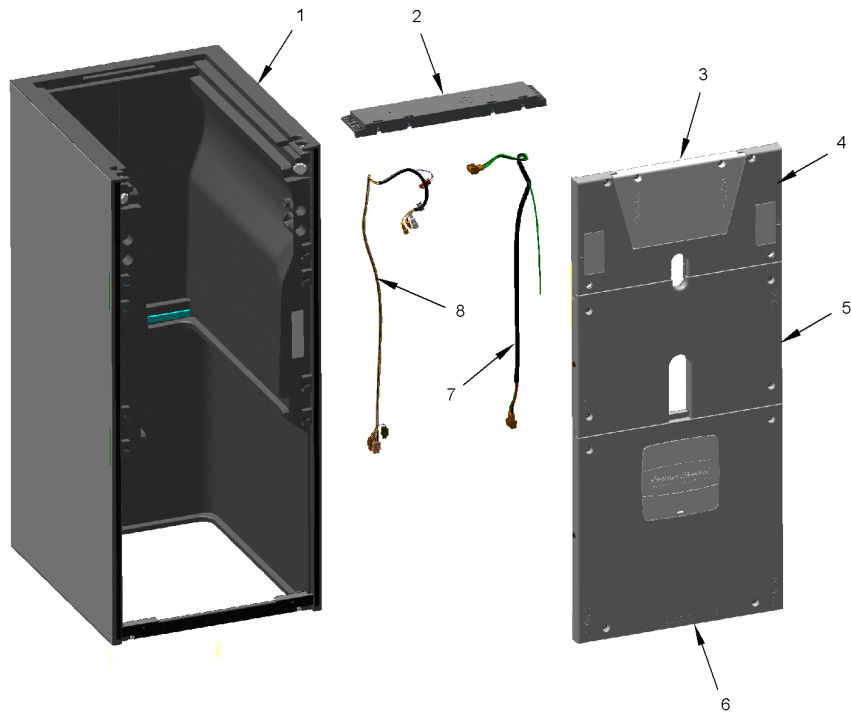
| Part No.                   | Reference No. | Quantity | Description        |
|----------------------------|---------------|----------|--------------------|
| 75010516_GAF2AUP2_202663~P | *             |          | CABINET PARTS LIST |

CABINET

75010516

REV.  
A

TYPICAL ILLUSTRATION



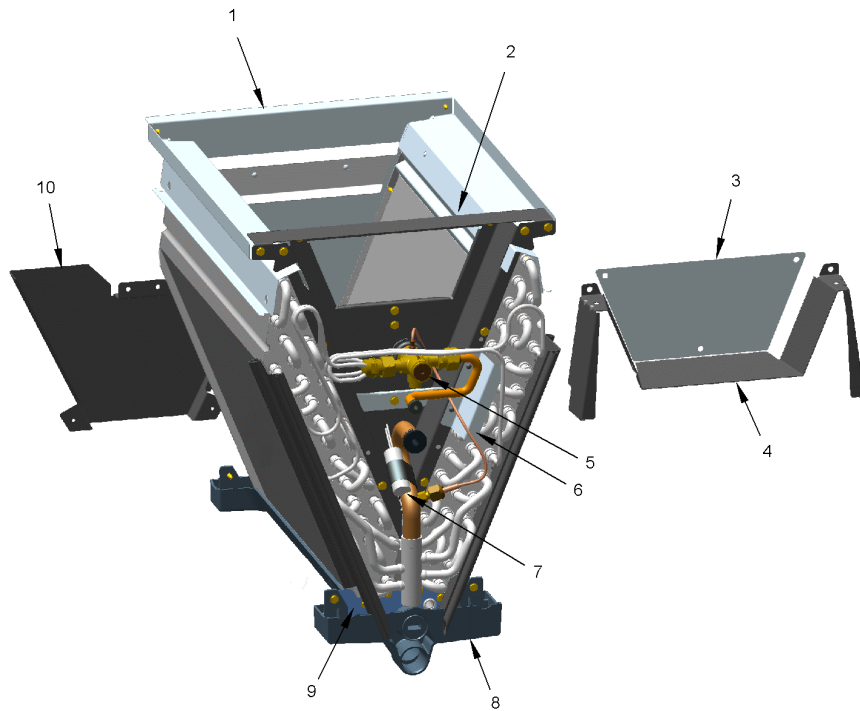
| Part No. | Reference No. | Quantity | Description   |
|----------|---------------|----------|---|
| CBT01801 | 1             | 1        | CAB-COIL; A1; SUB   |
| PNL31499 | 2             | 1        | PANEL; TOP  |
| PNL31444 | 3             | 1        | PANEL; HEATER ACCESS  |
| WAS01176 | 3             | 4        | WASHER; BLACK RUBBER, 0.75 OUTER DIA X 0.17 INNER DIA X 0.093 THICK                               |
| COV04332 | 4             | 2        | COVER; CONDENSATE DOWN FLOW, 3.4 X 1.6  |
| PNL31440 | 4             | 1        | PANEL; FIXED  |
| WAS01176 | 4             | 4        | WASHER; BLACK RUBBER, 0.75 OUTER DIA X 0.17 INNER DIA X 0.093 THICK                               |
| PNL31432 | 5             | 1        | PANEL; COIL ACCESS  |
| WAS01176 | 5             | 4        | WASHER; BLACK RUBBER, 0.75 OUTER DIA X 0.17 INNER DIA X 0.093 THICK                               |
| PNL31436 | 6             | 1        | PANEL; BLOWER ACCESS  |
| WAS01176 | 6             | 4        | WASHER; BLACK RUBBER, 0.75 OUTER DIA X 0.17 INNER DIA X 0.093 THICK                               |
| WIR07397 | 7             | 1        | WIRE; HARNESS, CONTROL BOX, HIGH VOLT, 34 IN LENGTH, 3 WIRES-16 AWG (BK,GR,RD) 1 WIRE-18 AWG (GR) |
| WIR07398 | 8             | 1        | WIRE; HARNESS, LOW VOLT/HEAT CONTROL, 40 IN LENGTH, 14 WIRES-22 AWG (BK,BL,BR,OR,PR,RD,WH,YL)     |

COIL

75010513

REV.  
A

TYPICAL ILLUSTRATION



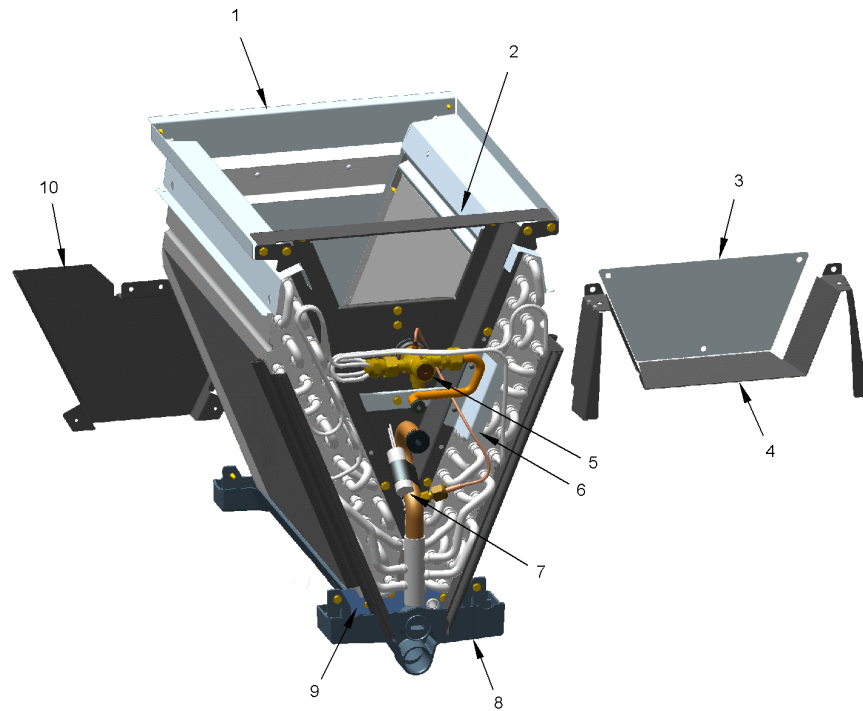
| Part No.                   | Reference No. | Quantity | Description     |
|----------------------------|---------------|----------|-----------------|
| 75010513_GAF2AUP2_202662~P | *             |          | COIL PARTS LIST |

COIL

75010513

REV.  
A

TYPICAL ILLUSTRATION



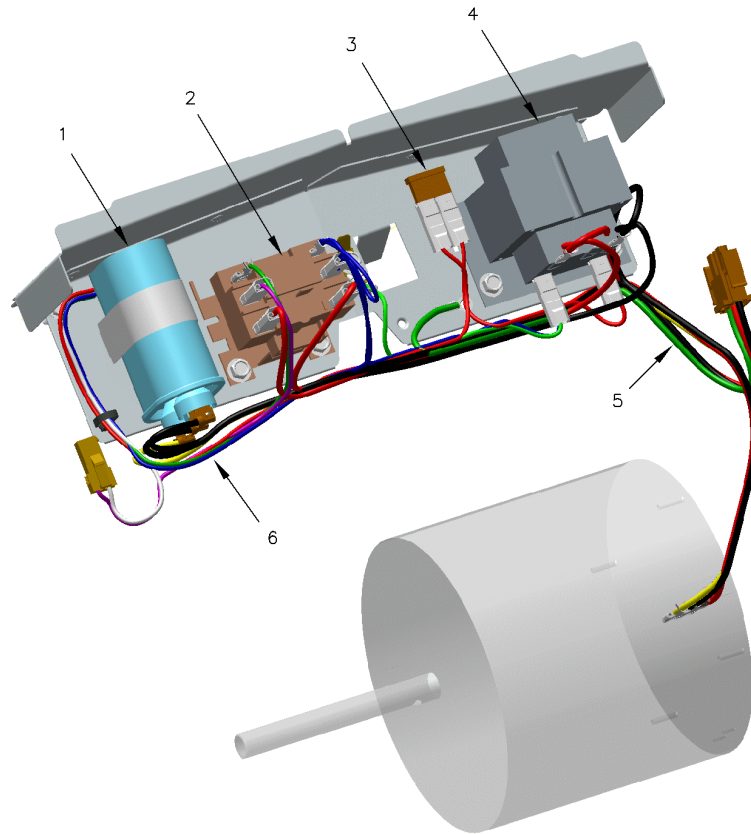
| Part No. | Reference No. | Quantity | Description  |
|----------|---------------|----------|--|
| BAF01359 | *             | 1        | BAFFLE; COIL FRONT BAFFLE KIT, INCLUDES RIGHT AND LEFT BAFFLE  |
| BOD00114 | *             | 1        | BODY; VALVE, BRASS, 7/16 HEX, 7/16 -20 UNF-2A  |
| CAP00455 | *             | 1        | CAP; HUB, 7/16-20 STRAIGHT   |
| DIV00329 | *             | 1        | DIVERTER; WATER, 16.31 L X 1.30 W X 1.97 H   |
| GKT04557 | *             | 4        | GASKET; NEOPRENE/EPDM BLEND, 2.75 L  |
| NUT01223 | *             | 1        | NUT; HEX NUT, 7/8, 3/4-20-2B UNEF THREAD   |
| PLU01169 | *             | 1        | PLUG; THREADED 3/4   |
| WAS01180 | *             | 2        | WASHER; TEFLON, 0.46 ID X 0.56 OD X 0.056 THK  |
| COL18014 | 1             | 1        | COIL; COIL & DRAIN PAN ASSEMBLY  |
| BAF01386 | 2             | 1        | BAFFLE; FRONT COIL   |
| PLT04857 | 3             | 1        | PLATE; HEATER BLOCK-OFF  |
| DIV00328 | 4             | 1        | DIVERTER; BAFFLE WRAPPER   |
| TUB13227 | 5             | 1        | TUBE; ASSEMBLY, FLOW CONTROL, WITH TXV VALVE   |
| VAL10387 | 5             | 1        | VALVE; THERMOSTATIC EXPANSION W/MECHANICAL FITTINGS, R410 REFRIGERANT,CHECK VALVE, .055 OD X 30.00 LONG EXTERNAL EQUALIZER |
| SHD00562 | 6             | 1        | SHIELD; COIL, ALUMINUM, 3.50 L   |
| CLP01072 | 7             | 1        | CLIP; BULB (BLUE), 3/4 OD TUBE   |
| PAN03096 | 8             | 1        | PAN; DRAIN UP FLOW, 19.5 X 7.3   |
| BRK04378 | 9             | 1        | BRACKET; UF PAN  |
| PAN03274 | 10            | 1        | PAN; DRIP TRAY   |

CONTROLS

75010511

REV.  
A

TYPICAL ILLUSTRATION



Parts List Number :75010514#GAF2AUP2

Model Number :GAF2A0A30S21SEA

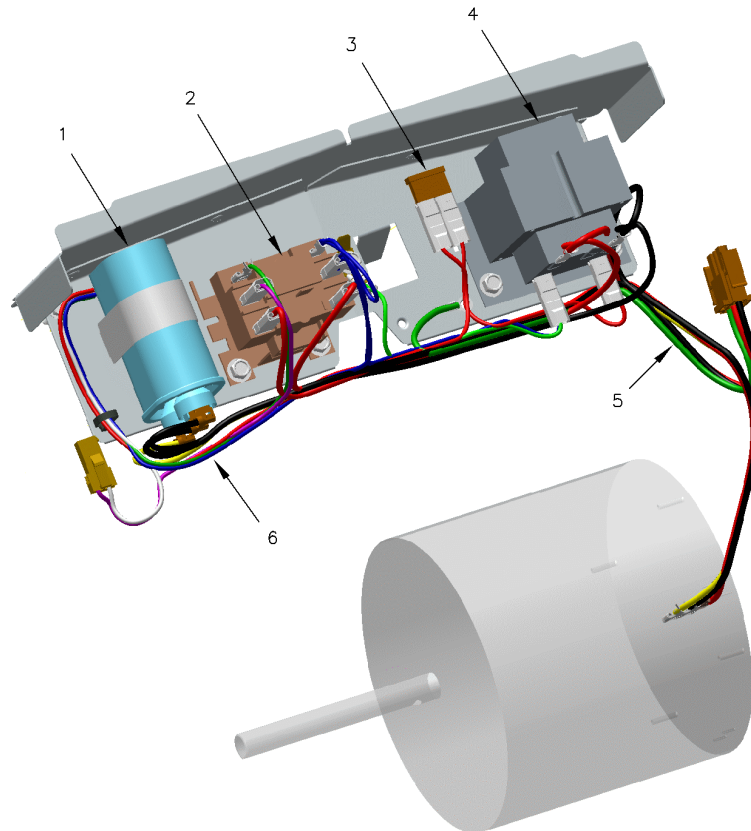
| Part No.                   | Reference No. | Quantity | Description              |
|----------------------------|---------------|----------|--------------------------|
| 75010511_GAF2AUP2_250807~P | *             |          | CONTROL PANEL PARTS LIST |

CONTROLS

75010511

REV.  
A

TYPICAL ILLUSTRATION



| Part No. | Reference No. | Quantity | Description  |
|----------|---------------|----------|--|
| CPT01896 | 1             | 1        | CAPACITOR; 15 MFD, 370V, OVAL, W/O RESISTOR  |
| RLY01384 | 2             | 1        | RELAY; 240/480V, 24V COIL  |
| FUS01089 | 3             | 1        | FUSE; 5 AMP, TAN, AUTOMOTIVE STYLE   |
| TRR02266 | 4             | 1        | TRANSFORMER; 50VA, 208/240V PRI, 24V SEC   |
| WIR07394 | 5             | 1        | WIRE; HARNESS, CONTROL BOX, HIGH VOLT, 18 IN LENGTH, 3 WIRES-16 AWG (BK,GR,RD), 3 WIRES-18 AWG (BK,RD) |
| WIR07399 | 6             | 1        | WIRE; HARNESS, CONTROL BOX, LOW VOLT, 16.5 LENGTH, 9 WIRES-20 AWG (BL,GR,GR/YL,PR,RD,WH)               |

OPTIONAL ACCESSORIES

Parts List Number :75010514#GAF2AUP2

Model Number :GAF2A0A30S21SEA

| Part No.                  | Reference No. | Quantity | Description                     |
|---------------------------|---------------|----------|---------------------------------|
| OPTIONS_GAF2AUP2_202665-P | *             |          | OPTIONAL ACCESSORIES PARTS LIST |

NO GRAPHIC AVAILABLE

75013702

REV  
A

**NO  
GRAPHIC  
AVAILABLE**

| Part No.       | Reference No. | Quantity | Description   |
|----------------|---------------|----------|---|
| BAYECAA05LG1AA | *             | 1        | HEATER; 5KW HEATER  |
| BAYECAA08LG1AA | *             | 1        | HEATER; 8 KW HEATER   |
| HTR12712       | *             | 1        | HEATER; HEATER ASSY, 10KW , (BAYECAA10LG1AA)                  |
| KIT15759       | *             | 1        | KIT; DUCT FLANGE ASSEMBLY RETURN FOR CANINET A (BAYRETFLGAAA) |
| KIT15865       | *             | 1        | KIT; SIDE RETURN (BAYSRKIT100A)                               |
| KIT15867       | *             | 1        | KIT; LOW VOLTAGE BOX (BAYLVKIT100A)                           |
| KIT16304       | *             | 1        | KIT; FIELD MOUNTED TXV (BAYATXV1836A)                         |
| KIT16408       | *             | 1        | KIT; FILTER BOX (BAYBRFBX100A)                                |

MODEL NUMBER DESCRIPTION

75010531

REV.  
A

AIR HANDLER

*Example Model Number:*

**GAM5B0B36M31SAA**  
1 - - - 5 - - - 10 - - - 15

**Digit 1 – Brand**

T = Trane  
G = Good (Trane Branded)

**Digit 2 – Product Type**

A = Air Handler

**Digit 3 – Convertibility**

M = Multi-positional 4-way  
F = Upflow Front Return, 3-way  
T = 3-way

**Digit 4 – Product Tier**

2 = Good. Entry Level Feature Set  
4 = Better. Retail Replacement Mid Efficiency  
5 = Better. Entry Level High Efficiency, Multi-Speed  
7 = Best. Retail Replacement High Efficiency, Variable-Speed  
8 = Best. Retail Ultimate High Efficiency, Variable-Speed  
9 = Best, Comm/24V Variable-Speed  
G = Best. Geothermal

**Digit 5 – Major Design Change**

**Digit 6 – No Descriptor**

0 = Air Handler / Coil

**Digit 7 – Size (Footprint)**

A = 17.5 x 21.8  
B = 21.3 x 21.8  
C = 23.5 x 21.8

**Digits 8, 9 – Cooling Size: Air Handler or Coil**

0-9 = AH Coil - 1000 BTU's (18, 24, 30, 36, 42, 48, 60)

**Digits 10, 11 – Airflow Type & Capacity**

S = Low Efficiency PSC, 1-5 Nominal Tonnage (cfm/ton)  
M = Mid Efficiency Multi-Speed, 1-5 Nominal Tonnage (cfm/ton)  
H = High Efficiency Variable Speed, 1-5 Nominal Tonnage (cfm/ton)  
V = High Efficiency Variable Speed, 1-5 Nominal Tonnage (cfm/ton)

**Digit 12 – Power Supply**

1 = 208-230/60/1

**Digit 13 – System Control Type**

S = Standard - 24 VAC  
C = CLII 13.8 VDC  
E = Black Epoxy Coil

**Digit 14 – Minor Design Change**

**Digit 15 – Unit Parts Identifier**

| Part No.                   | Reference No. | Quantity | Description                         |
|----------------------------|---------------|----------|-------------------------------------|
| 75010531_GAF2AUP2_202664-P | *             |          | MODEL NUMBER DESCRIPTION PARTS LIST |

**MODEL NUMBER DESCRIPTION**  
**AIR HANDLER**

75010531

REV  
A

*Example Model Number:*  
**GAM5B0B36M31SAA**  
1 - - - - 5 - - - - 10 - - - - 15

**Digit 1 – Brand**

T = Trane  
G = Good (Trane Branded)

**Digit 2 – Product Type**

A = Air Handler

**Digit 3 – Convertibility**

M = Multi-positional 4-way  
F = Upflow Front Return, 3-way  
T = 3-way

**Digit 4 – Product Tier**

2 = Good. Entry Level Feature Set  
4 = Better. Retail Replacement Mid Efficiency  
5 = Better. Entry Level High Efficiency, Multi-Speed  
7 = Best. Retail Replacement High Efficiency, Variable-Speed  
8 = Best. Retail Ultimate High Efficiency, Variable-Speed  
9 = Best, Comm/24V Variable-Speed  
G = Best. Geothermal  
X = Premium, Link Communicating /24V

**Digit 5 – Major Design Change**

**Digit 6 – No Descriptor**

0 = Air Handler / Coil

**Digit 7 – Size (Footprint)**

A = 17.5 x 21.8  
B = 21.3 x 21.8  
C = 23.5 x 21.8

**Digits 8, 9 – Cooling Size: Air Handler or Coil**

0-9 = AH Coil - 1000 BTU's (18, 24, 30, 36, 42, 48, 60)

**Digits 10, 11 – Airflow Type & Capacity**

S = Low Efficiency PSC, 1-5 Nominal Tonnage (cfm/ton)  
M = Mid Efficiency Multi-Speed, 1-5 Nominal Tonnage (cfm/ton)  
H = High Efficiency Variable Speed, 1-5 Nominal Tonnage (cfm/ton)  
V = High Efficiency Variable Speed, 1-5 Nominal Tonnage (cfm/ton)

**Digit 12 – Power Supply**

1 = 208-230/60/1

**Digit 13 – System Control Type**

S = Standard - 24 VAC  
C = CLII 13.8 VDC  
E = Black Epoxy Coil

**Digit 14 – Minor Design Change**

**Digit 15 – Unit Parts Identifier**

