

Parts List Number :GACUP1

Model Number :GAD180AWEHA001S

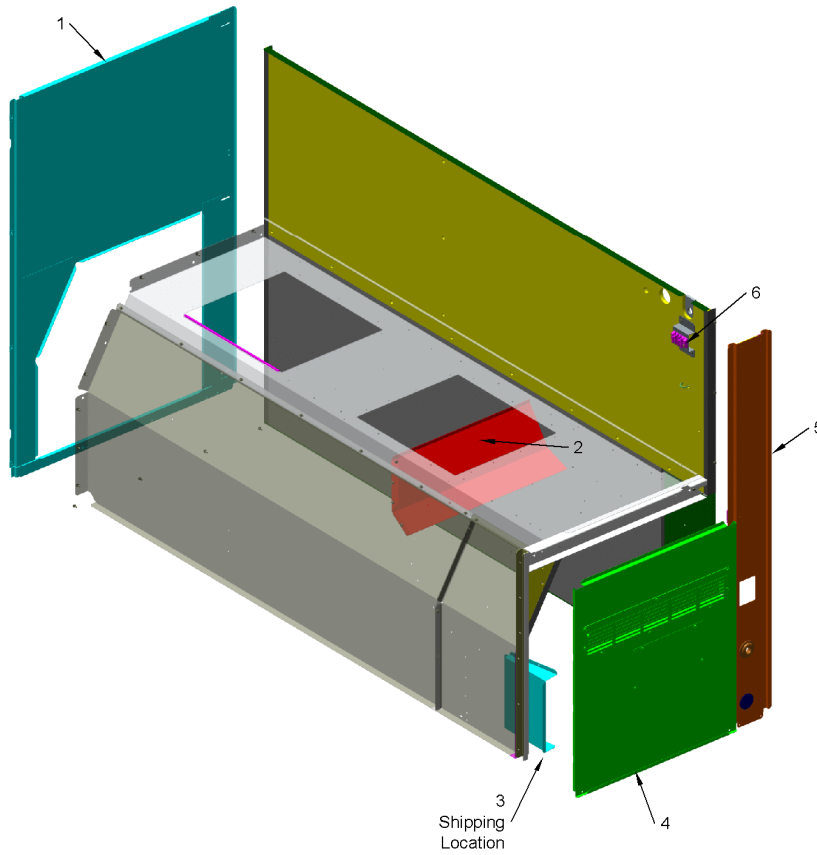
Part No.	Reference No.	Quantity	Description
75010426	SEC 01		MODEL NUMBER DESCRIPTION
75010428	SEC 02		EXTERIOR PANELS
75012837	SEC 02		GAS HEAT CASING
75012855	SEC 02		TOP PANEL
75010429	SEC 03		OUTDOOR COILS
75010431	SEC 05		INDOOR COIL FILTERS
75010432	SEC 06		INDOOR COIL
75010433	SEC 07		GAS HEAT ASSEMBLY
75010434	SEC 08		GAS HEAT BLOWER
75010435	SEC 09		GAS HEAT BURNERS
75010436	SEC 10		GAS BURNER MANIFOLD
75010438	SEC 12		INDOOR FAN ASSEMBLY
75010439	SEC 13		OUTDOOR FAN ASSEMBLY
75010440	SEC 14		COMPRESSORS
75010441	SEC 15		REFRIGERANT TUBING
75010447	SEC 17		CONTROL PANEL

MODEL NUMBER DESCRIPTION		75010426	REV C
FOUNDATION			
Digit 1 Unit Type G= Gas Heat E= Cooling	Digit 2 Efficiency A= Standard	Digit 3 Airflow C= Convertible D= Downflow	Digit 4,5,6 Unit Tonnage 036= 3 Ton 120= 10 Ton 048= 4 Ton 150= 12.5 Ton 060= 5 Ton 180= 15 Ton 072= 6 Ton 210= 17.5 Ton 090= 7.5 Ton 240= 20 Ton 102= 8.5 Ton 300= 25 Ton 270= 22 Ton
Digit 7 Major Design Sequence A= R-410a	Digit 8 Voltage Selection 3= 208-230/60/3 4= 460/60/3 W= 575/60/3 K= 380/60/3 D= 380/50/3	Digit 9 Unit Controls E= Electro-mechanical	Digit 10 Heating Capacity 0= No Heat B= 6 kW electric heat C= 9 kW electric heat E= 12 kW electric heat G= 18 kW electric heat J= 23 kW electric heat K= 27 kW electric heat N= 36 kW electric heat P= 54 kW electric heat R= 72 kW electric heat H= Gas Heat - High L= Gas Heat - Low M= Gas Heat - Medium X= Gas Heat - SS Ht Ex - Low Y= Gas Heat - SS Ht Ex- Med Z= Gas Heat - SS Ht Ex - High
Digit 11 Minor Design Sequence A= Minor Des. Seq.	Digit 12,13 Service Sequence 00= None	Digit 14 Fresh Air Selection 0= No Fresh Air A= Manual damper B= Motorized OA 0-50% C= Economizer Dry Bulb w/o barometric relief D= Econ Dry Bulb w/ barometric relief E= Econ Reference Enthaply without barometric relief F= Econ Reference Enthaply with barometric relief G= Econ Comparative Enthaply without barometric relief H= Econ Comparative Enthaply with barometric relief J= Low Leak Econ Dry Bulb without barometric relief L= Low Leak Econ Reference Enthaply without barometric relief N= Low Leak Econ Comparative Enthaply without barometric relief	Digit 15 Supply Fan/Drive Type/Motor 0= Standard Drive 1= Oversized Motor 7= Two Speed Standard 9= Two Speed Oversized
		Digit 16 Hinged Service Access / Filters 0= Standard panels/standard filters	Digit 17 Condenser Coil Protection 0= Standard coil 4= ECoated Coil
		Digit 18 Through The Base Provisions 0= No through the base provisions A= Through the base electric B= Through the base gas C= Through the base electric/gas	Digit 19 Disconnect Switch/Circuit Breaker 0= None 1= Unit Mount Non-Fused Disconnect Switch
		Digit 20-24 0= None	Digit 25 System Monitoring Controls 0= None A= Condensate Drainpan Overflow Switch
		Digit 26 System Monitoring Controls 0= No Monitoring Controls B= Fault Detection Device	Digit 27-40 0= None

GAS HEAT CASING

75012837

REV.
A



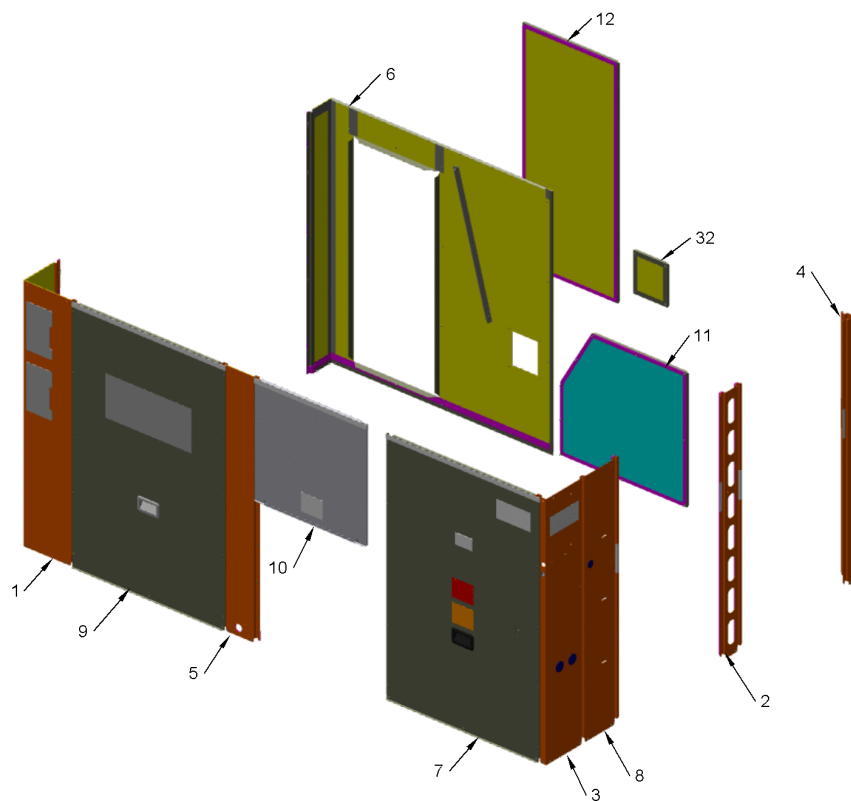
This is a typical illustration. The unit in the field may not appear exactly as shown.

Part No.	Reference No.	Quantity	Description
PNL34628	1	1	PANEL; ASSEMBLY; SUPPLY PANEL
BAF01404	2	1	BAFFLE; GAS HEAT
COV05059	3	1	COVER; GAS HEAT VENT HOOD, 10 X 8 INCHES
PNL31707	4	1	PANEL; GAS HEAT ACCESS 300-420MBH
SUP05867	5	1	SUPPORT; ID FRONT, GH 320MBH-400MBH
TER01631	6	1	TERMINAL STRIP, 3P, 30A 600V

EXTERIOR PANELS

75010428

REV
C



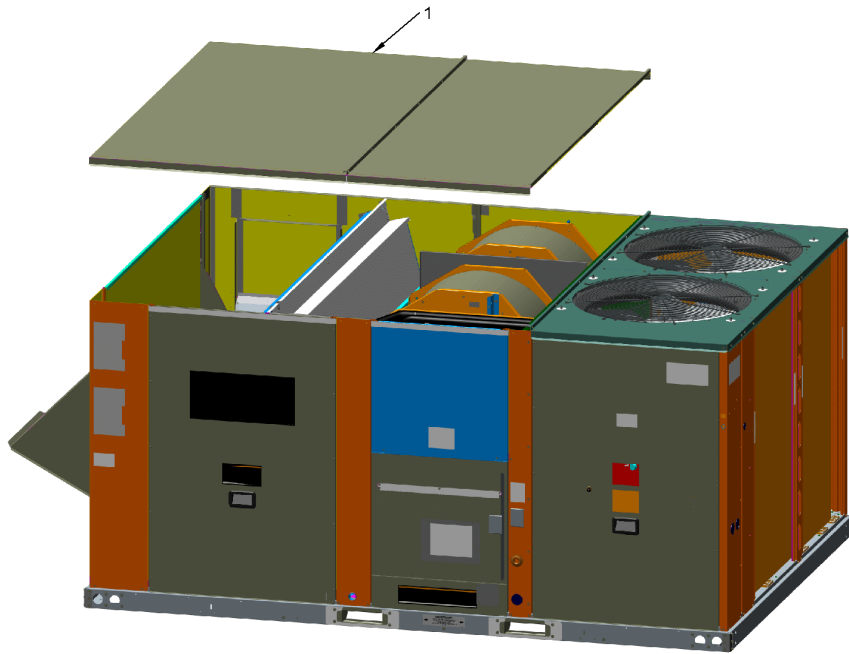
This is a typical illustration. The unit in the field may not appear exactly as shown.

Part No.	Reference No.	Quantity	Description
SUP05864	1	1	SUPPORT; POST, I.D. CORNER
SUP05865	2	1	SUPPORT; POST REAR CENTER
SUP05869	3	1	SUPPORT; POST, OD CORNER
SUP05870	4	1	SUPPORT; CORNER, OD, REAR
SUP05871	5	1	SUPPORT; POST CENTER, FRONT ID COIL
PNL35341	6	1	PANEL; LEFT BACK
PNL31700	7	1	PANEL; ACCESS PANEL
PNL31701	8	1	PANEL; OD COIL MOUNTING
PNL31698	9	1	PANEL; FILTER ACCESS, 53 X 36
PNL31702	10	1	PANEL; ID MOTOR ASSESS
PNL31703	11	1	PANEL; HZ SUPPLY COVER
PNL31704	12	1	PANEL; HZ RETURN DUCT COVER
PNL35342	32	1	PANEL; ASSEMBLY COVER; HZ RETURN OPENING

TOP PANEL

75012855

REV.
A



This is a typical illustration. The unit in the field may not appear exactly as shown.

TOP PANEL

Parts List Number :GACUP1

Model Number :GAD180AWEHA001S

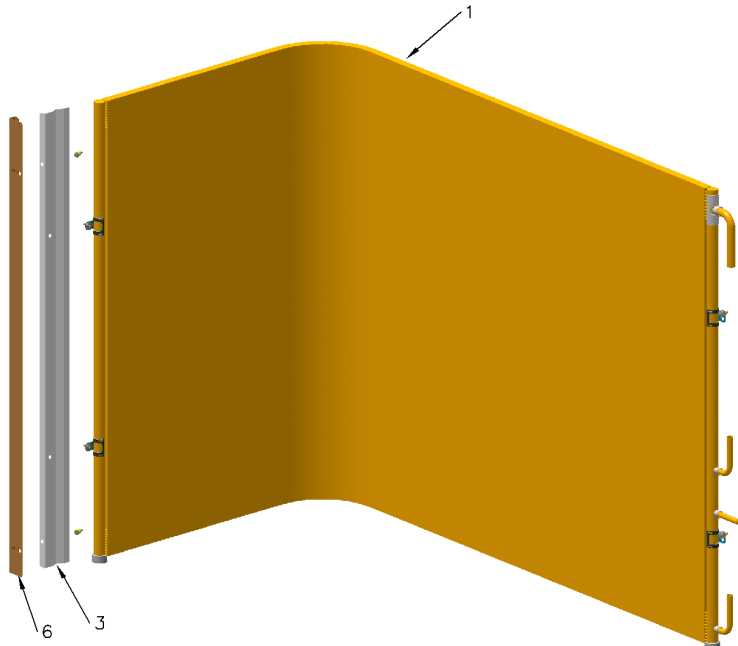
Part No.	Reference No.	Quantity	Description
PNL30271	1	1	PANEL; TOP COVER ASSEMBLY

OUTDOOR COIL

75010429

REV
A

TYPICAL ILLUSTRATION



OUTDOOR COILS

Parts List Number :GACUP1

Model Number :GAD180AWEHA001S

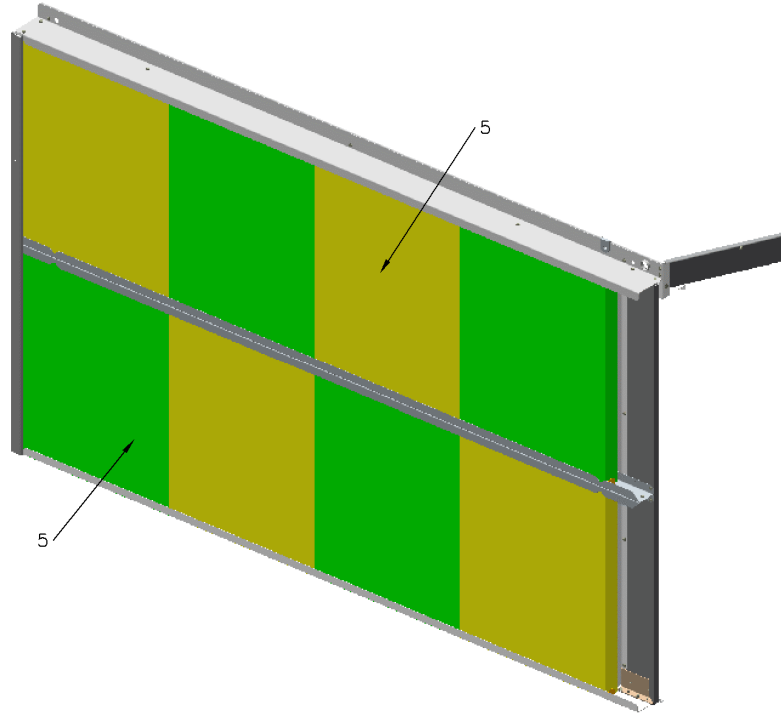
Part No.	Reference No.	Quantity	Description
BRK04431	3	1	BRACKET, COIL RETAINER REAR
BRK03496	6	1	BRACKET; COIL REAR

INDOOR COIL FILTERS

75010431

REV
A

TYPICAL ILLUSTRATION



Part No.	Reference No.	Quantity	Description
FLR00063	5	8	FILTER; 20X25X2

INDOOR COIL

75010432

REV
A

TYPICAL ILLUSTRATION



Frostat
Location

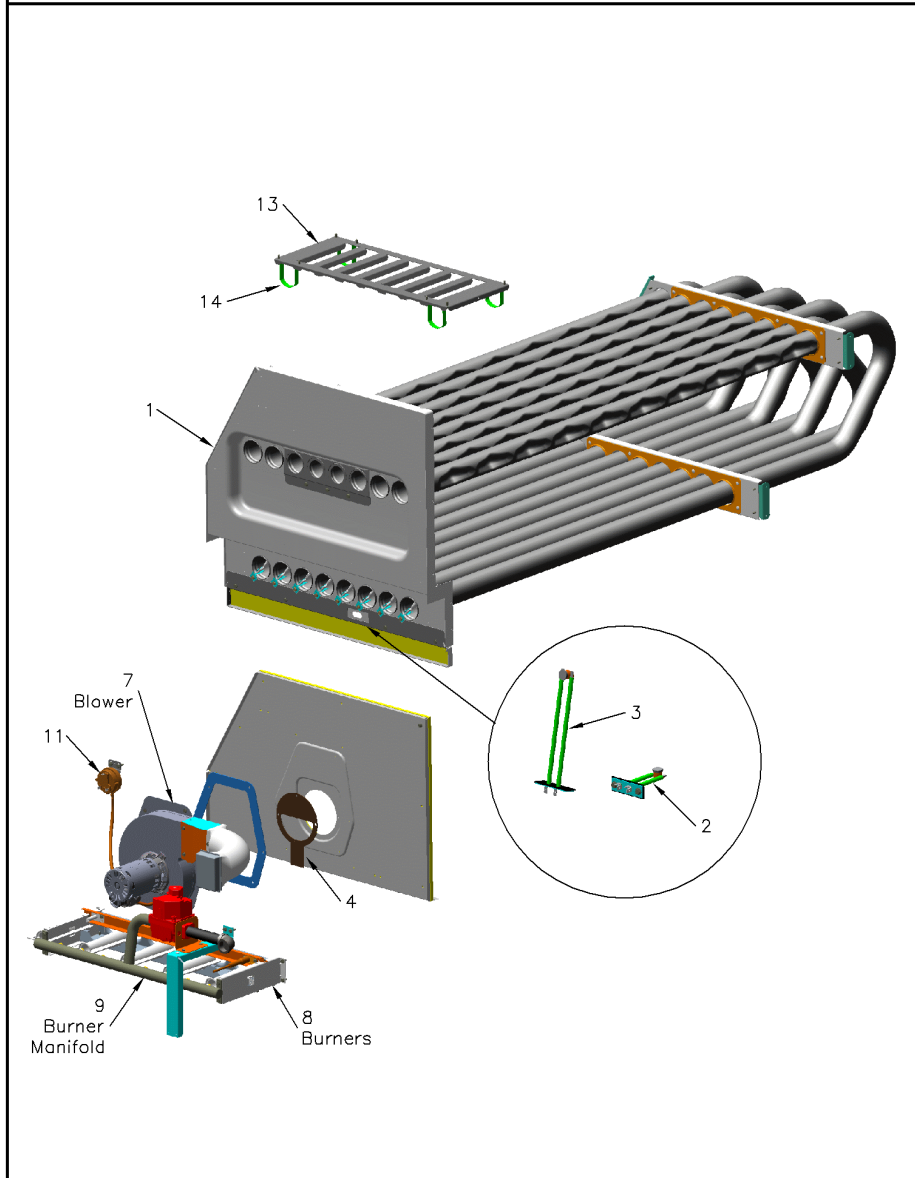
Part No.	Reference No.	Quantity	Description
HDR01067	*	1	HEADER, SHORT ORIFICE, 15T, CKT1
HDR01068	*	1	HEADER, SHORT ORIFICE, 15T, CKT 2
PAN03448	*	1	PAN; DRAINPAN
COL23171	1	1	COIL, INDOOR 15 TON

GAS HEAT ASSEMBLY

75010433

REV
A

TYPICAL ILLUSTRATION



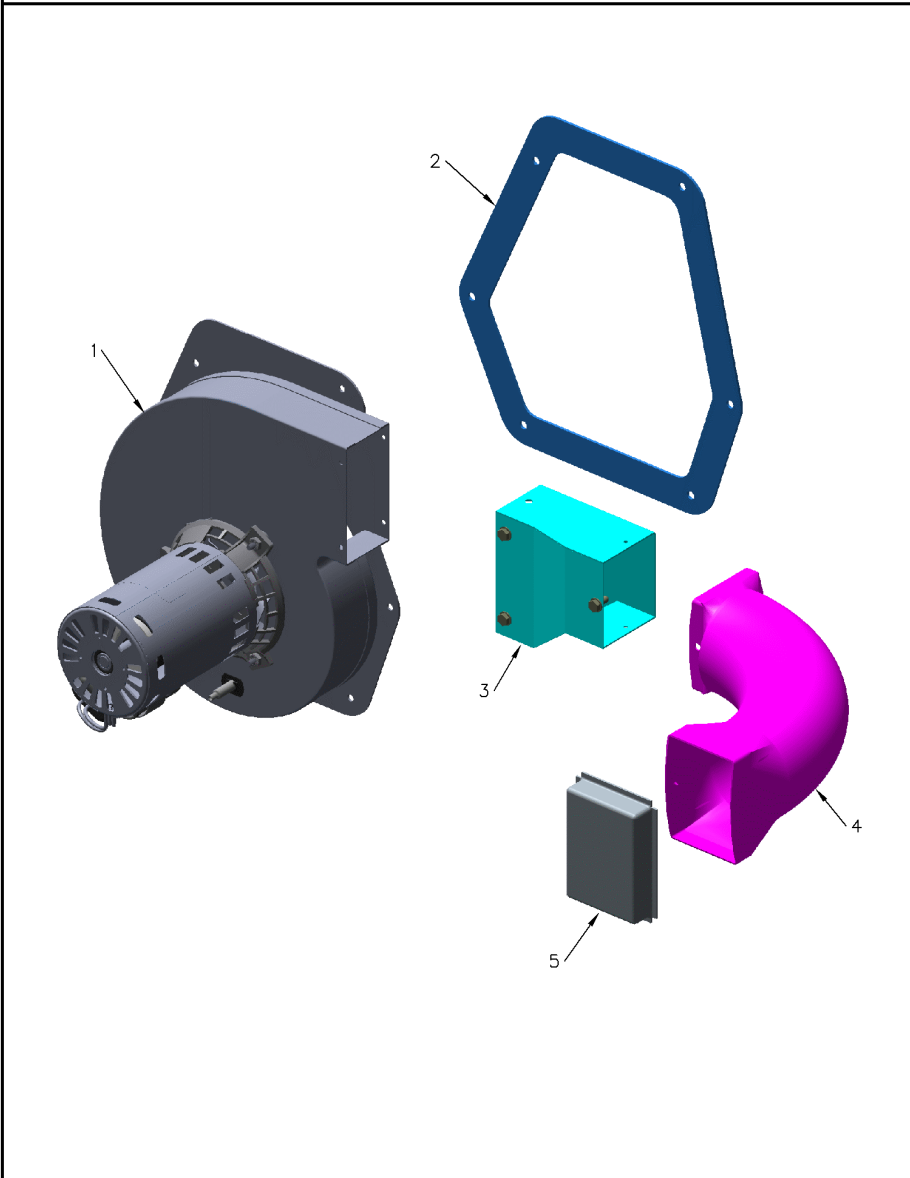
Part No.	Reference No.	Quantity	Description
EXC02574	1	1	EXCHANGER; COLLECTOR PLATE AND TUBE, 320AND350 MBH
SWT04196	2	1	SWITCH; CONTROL, TEMPERATURE; HI-LIMIT, 130F OP/110F CL
CNT07189	3	1	CONTROL, TEMPERATURE; HI-LIMIT, 220F OP/190F CL, NATURAL
ORF01749	4	1	ORIFICE, COMBUSTION AIR, 350 MBH
75010434	7		GAS HEAT BLOWER
75010435	8		GAS HEAT BURNERS
75010436	9		BURNER MANIFOLD
CNT03666	11	1	CONTROL; DIFFERENTIAL PRESSURE SWITCH, ROTATED 180 DEG, SPST, SNAP ACTING CONTACTS, NO, 5 AMP RESISTIVE AT 24 VAC

GAS HEAT BLOWER

75010434

REV
A

TYPICAL ILLUSTRATION



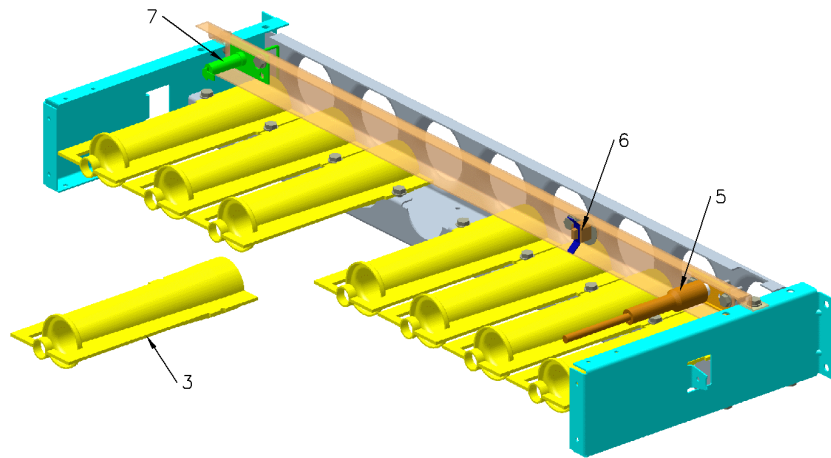
Part No.	Reference No.	Quantity	Description
BLW01335	1	1	BLOWER; FAN, 2 SPEED INDUCER, 400 MBH, THE GROUND WIRE MAY OR MAY NOT BE INCLUDED. THE USE OF A GROUND WIRE IS NOT REQUIRED BY UL
GKT04677	2	1	GASKET; COMBUSTION BLOWER, LARGE
DUC01040	4	1	DUCT; FLUE EXHAUST, ALUMINUM COATED WELDED STEEL TUBING
SRN00850	5	1	SCREEN, EXHAUST, STAINLESS STEEL WIRE MESH, 3.47 X 2.50

GAS HEAT BURNERS

75010435

REV
A

TYPICAL ILLUSTRATION



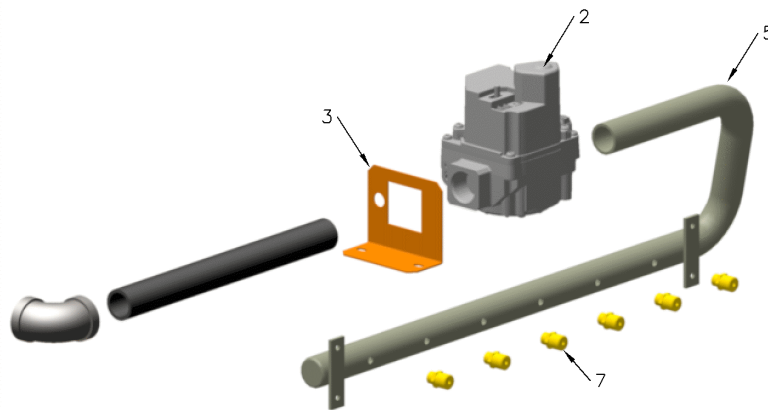
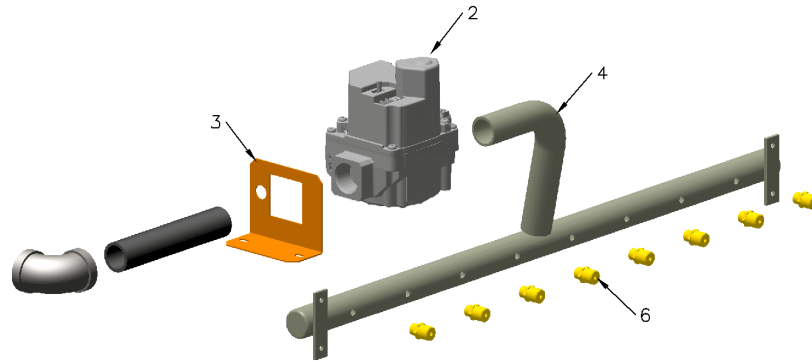
Part No.	Reference No.	Quantity	Description
BNR01070	3	8	BURNER; .70 ID INSHOT BURNER, .036 THK 304 STAINLESS STEEL
MFD01367	4	1	MANIFOLD; ASSY WITH BRACKET, 8 TUBE
IGN00267	5	1	IGNITOR, 53 INCH LEAD
ORF01340	6	8	ORIFICE; SPUD, .125 DIA
SWT02649	6	1	SWITCH; FLAME ROLLOUT, 240F, OPENS ON TEMP RISE, MANUAL RESET, SPST, 25A/240V QC TERMINAL
SEN00297	7	1	SENSOR; FLAME

GAS BURNER MANIFOLD

75010436

REV
A

TYPICAL ILLUSTRATIONS



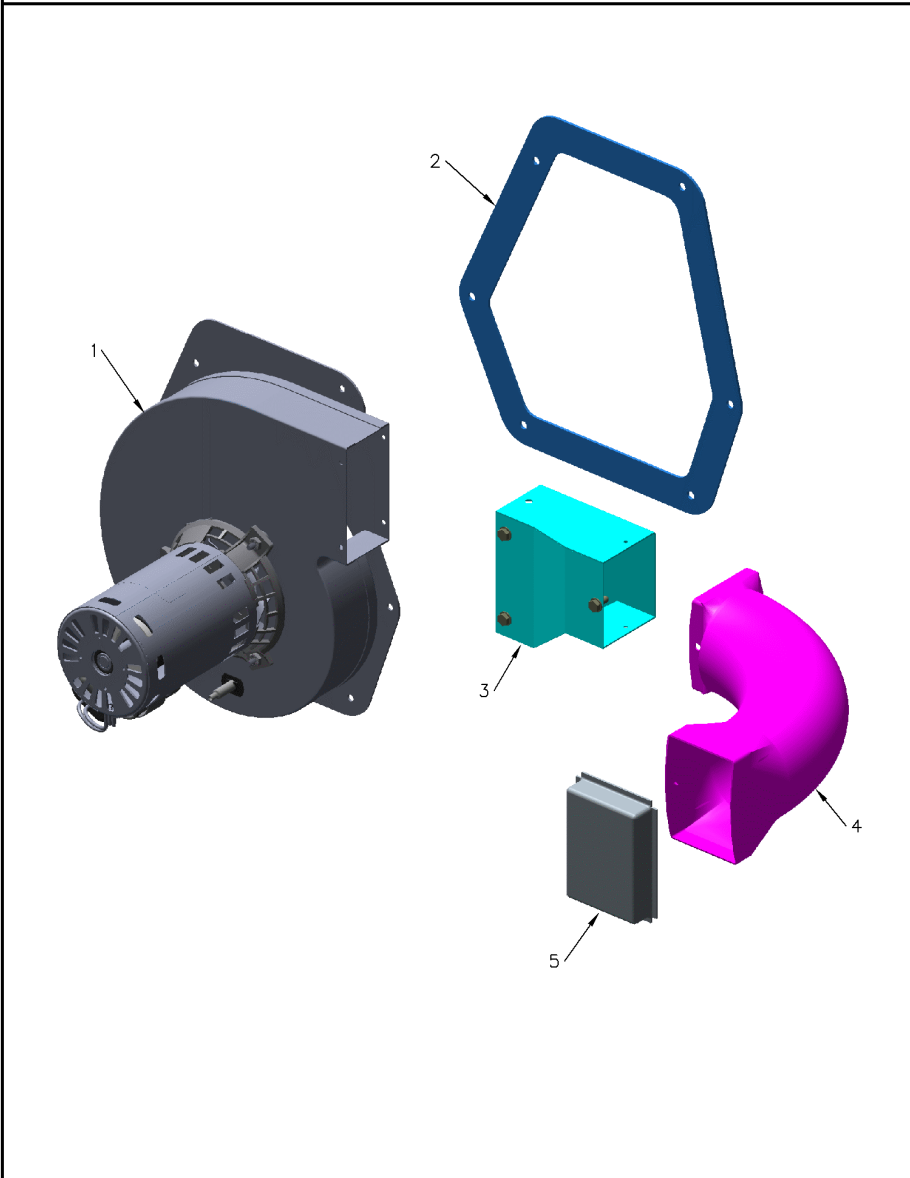
Part No.	Reference No.	Quantity	Description
VAL08750	2	1	VALVE; GAS, NATURAL, 2 STAGE, 24 VAC, 50/60 HZ, .4 AMP REDUNDANT, INLET OUTLET 3/4 X 3/4-14 NPT, MAX OP PRESSURE .5 PSIG
BRK04442	3	1	BRACKET, GAS VALVE CLAMP

GAS HEAT BLOWER

75010434

REV
A

TYPICAL ILLUSTRATION



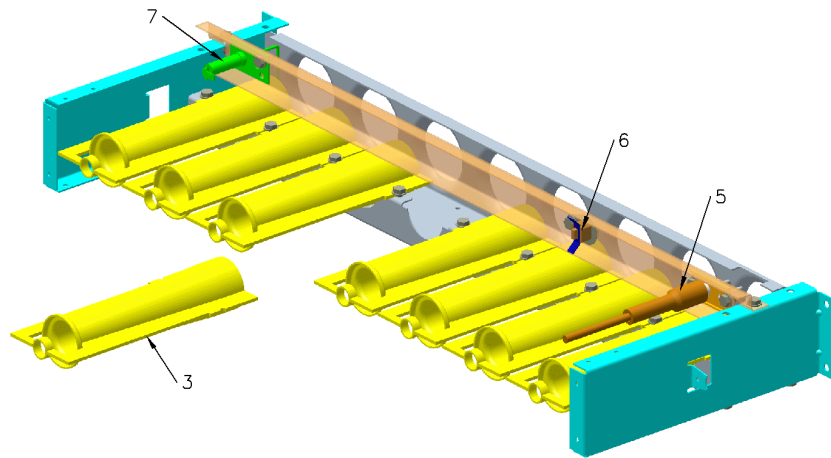
Part No.	Reference No.	Quantity	Description
BLW01335	1	1	BLOWER; FAN, 2 SPEED INDUCER, 400 MBH, THE GROUND WIRE MAY OR MAY NOT BE INCLUDED. THE USE OF A GROUND WIRE IS NOT REQUIRED BY UL
GKT04677	2	1	GASKET; COMBUSTION BLOWER, LARGE
DUC01040	4	1	DUCT; FLUE EXHAUST, ALUMINUM COATED WELDED STEEL TUBING
SRN00850	5	1	SCREEN, EXHAUST, STAINLESS STEEL WIRE MESH, 3.47 X 2.50

GAS HEAT BURNERS

75010435

REV
A

TYPICAL ILLUSTRATION



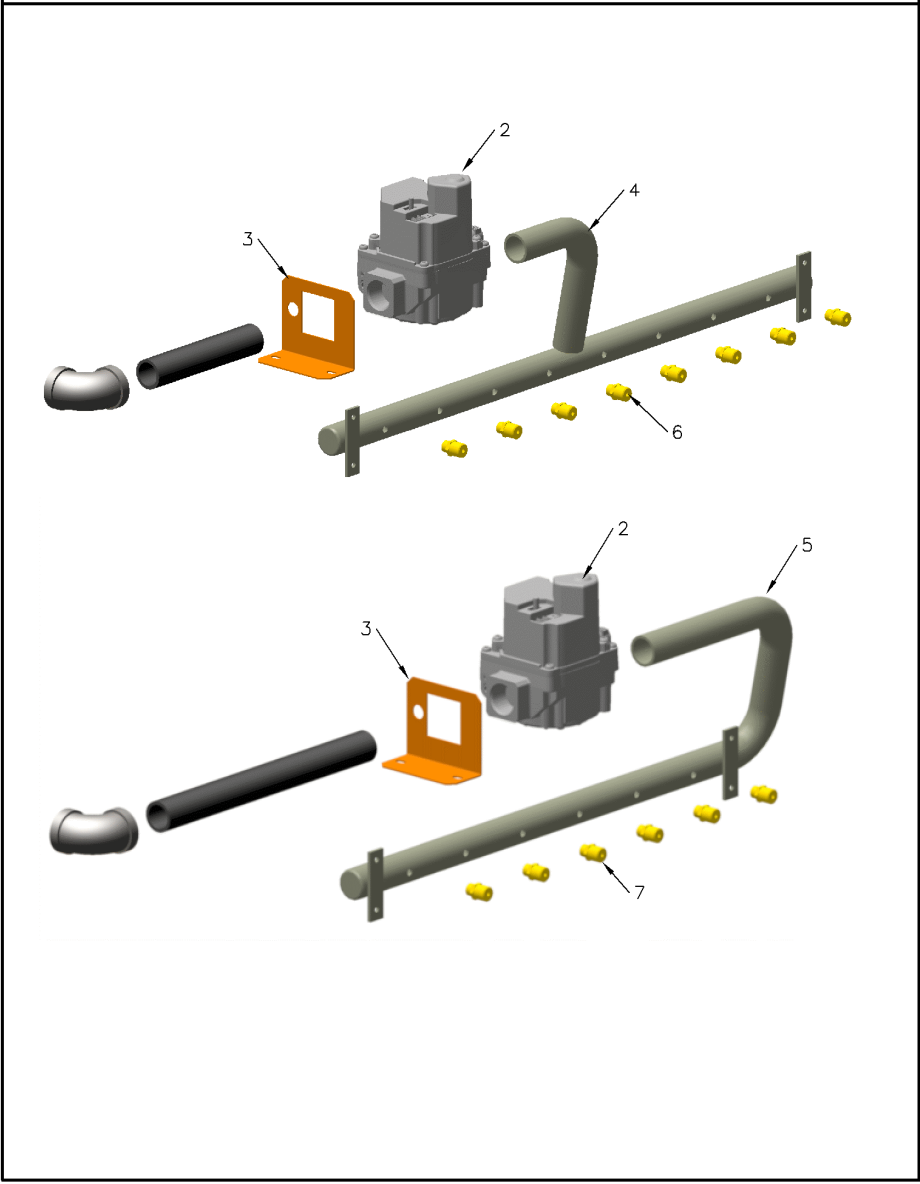
Part No.	Reference No.	Quantity	Description
BNR01070	3	8	BURNER; .70 ID INSHOT BURNER, .036 THK 304 STAINLESS STEEL
MFD01367	4	1	MANIFOLD; ASSY WITH BRACKET, 8 TUBE
IGN00267	5	1	IGNITOR, 53 INCH LEAD
ORF01340	6	8	ORIFICE; SPUD, .125 DIA
SWT02649	6	1	SWITCH; FLAME ROLLOUT, 240F, OPENS ON TEMP RISE, MANUAL RESET, SPST, 25A/240V QC TERMINAL
SEN00297	7	1	SENSOR; FLAME

GAS BURNER MANIFOLD

75010436

REV
A

TYPICAL ILLUSTRATIONS



Part No.	Reference No.	Quantity	Description
VAL08750	2	1	VALVE; GAS, NATURAL, 2 STAGE, 24 VAC, 50/60 HZ, .4 AMP REDUNDANT, INLET OUTLET 3/4 X 3/4-14 NPT, MAX OP PRESSURE .5 PSIG
BRK04442	3	1	BRACKET, GAS VALVE CLAMP

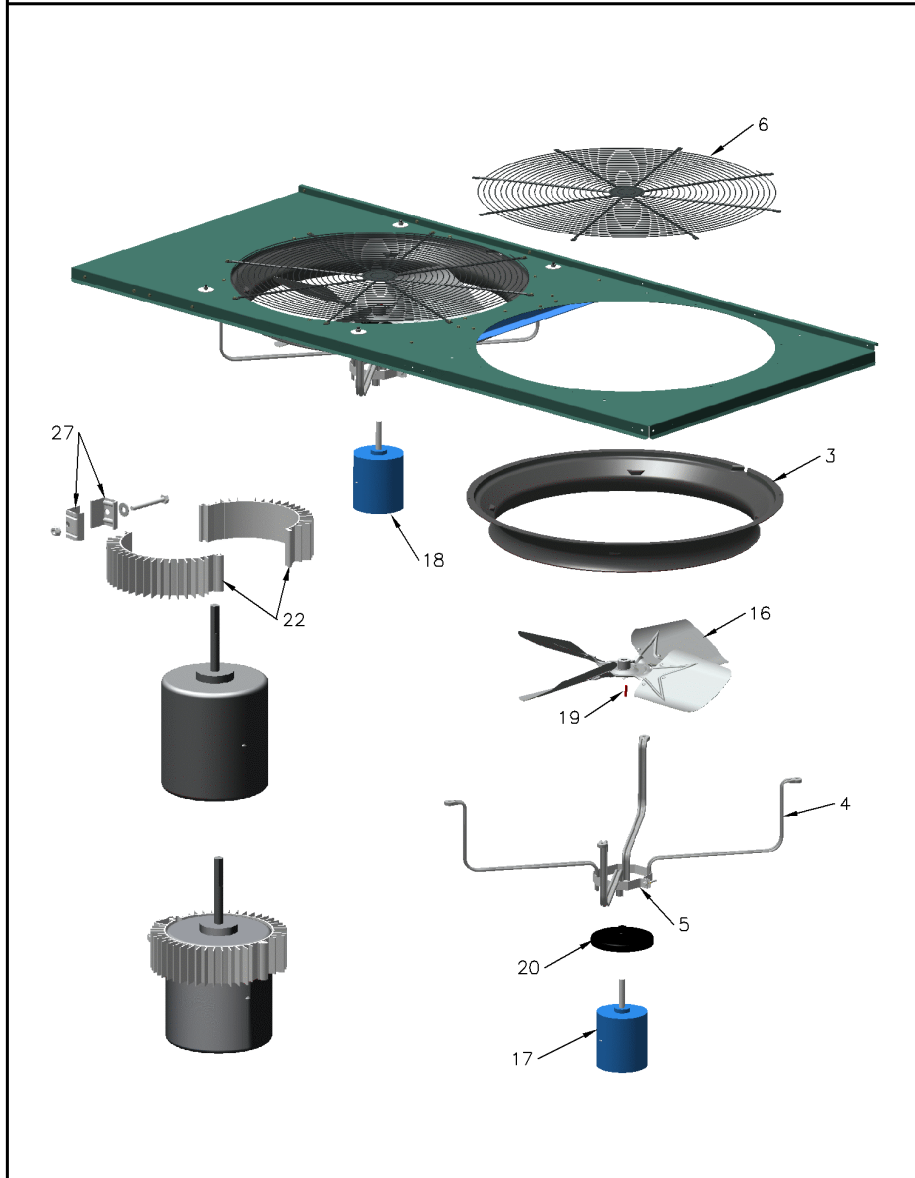
Part No.	Reference No.	Quantity	Description
BLT00989	6	1	BOLT; MOTOR ADJUST, .31-18 X 5.0
NUT00890	7	1	NUT; PALLET, 5/16-18 UNC 2B THD.
SHF03551	8	1	SHAFT; IDF, 1.4375 INCHES DIA., 59.35 INCHES
BRG01940	9	2	BEARING;PILLOW BLOCK, BALL,1.43 BORE
FAN05094	12	2	FAN; ID WHEEL, 15X15, 1.4375" BORE
KEY00105	20	1	KEY; 3/8IN.X 3/8IN.X2-1/2IN.
CNT03511	21	1	CONTROL; LIMIT, 120F, AUTOMATIC RESET, SPST, NC, 15A/120VAC, 10A/240VAC, QC TERMINAL
HUS04190	22	2	HOUSING; BLOWER HOUSING ASSEMBLY, WITH FAN WHEEL

OUTDOOR FAN ASSEMBLY

75010439

REV
A

TYPICAL ILLUSTRATION



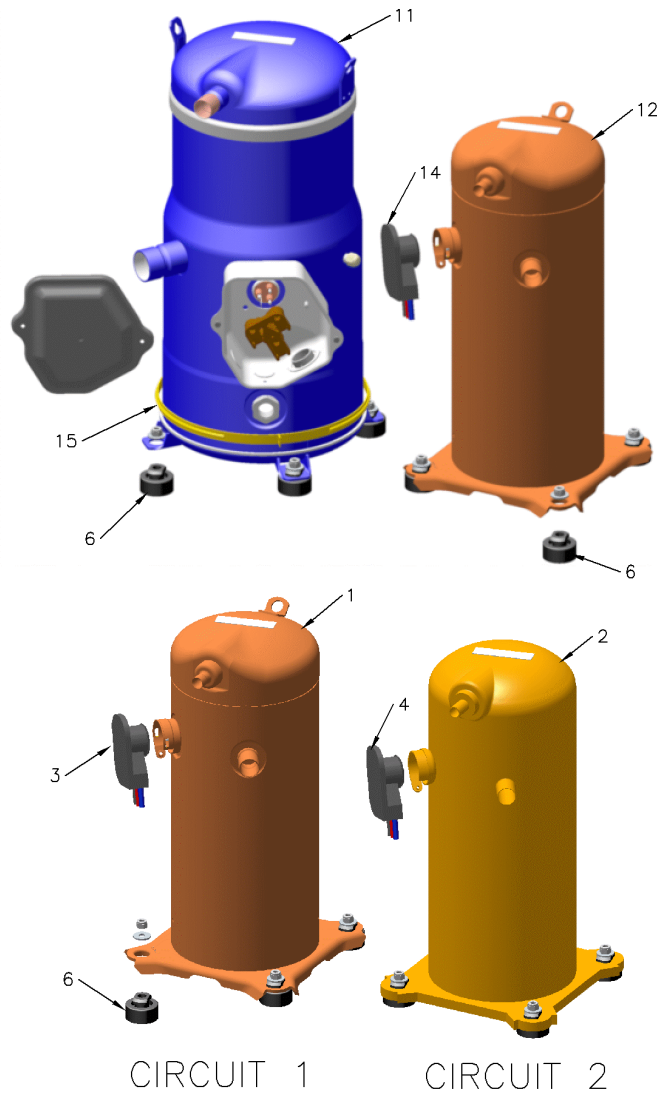
Part No.	Reference No.	Quantity	Description
ORF01507	3	2	ORIFICE; FAN
BRK01646	4	8	BRACKET; MOTOR MOUNT 16.88 LEG
BRK01160	5	2	BRACKET, MOTOR MOUNT
GRL00424	6	2	GRILLE; 26 IN PROP/ORIF
FAN05229	16	2	FAN; 4 BLADE, ALUMINUM, 26.00 DIA, 22 DEG PITCH, 0.50 BORE, CW
KIT18141	17	1	KIT; FOUNDATION HEAT SINK KIT, INCLUDES QTY 2 RING HALVES, QTY 2 BRACKET HALVES, QTY 1 WASHER, QTY 1 SCREW, QTY 1 NUT. (REFER TO RT-SVC137A-EN)
MOT03776	17	1	MOTOR, 1/2 HP, 575/60/1, 1100 RPM, 48 FRAME, BALL BEARINGS, CCW, 1.2 FLA, 3.0 LRA, 10 MFD AT 440VAC
KIT18141	18	1	KIT; FOUNDATION HEAT SINK KIT, INCLUDES QTY 2 RING HALVES, QTY 2 BRACKET HALVES, QTY 1 WASHER, QTY 1 SCREW, QTY 1 NUT. (REFER TO RT-SVC137A-EN)
MOT03770	18	1	MOTOR; 1/2 HP, 575/60/1, 1100 RPM, TYPE PSC, 48 FRAME, CCW, BALL BEARING, 10 MFD CPT AT 440V
RNG01891	22	4	RING; EXTRUDED FIN, HEAT SINK MOTOR, 2.00 WIDE, ASSEMBLY CONSISTING OF TWO PIECES
BRK00688	27	4	BRACKET; CONNECTING, HEAT SINK

COMPRESSORS

75010440

REV
A

TYPICAL ILLUSTRATION



COMPRESSORS

Parts List Number :GACUP1

Model Number :GAD180AWEHA001S

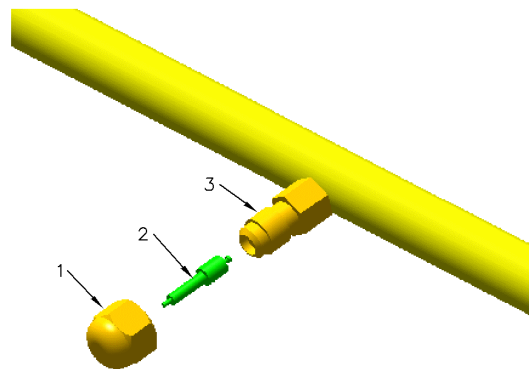
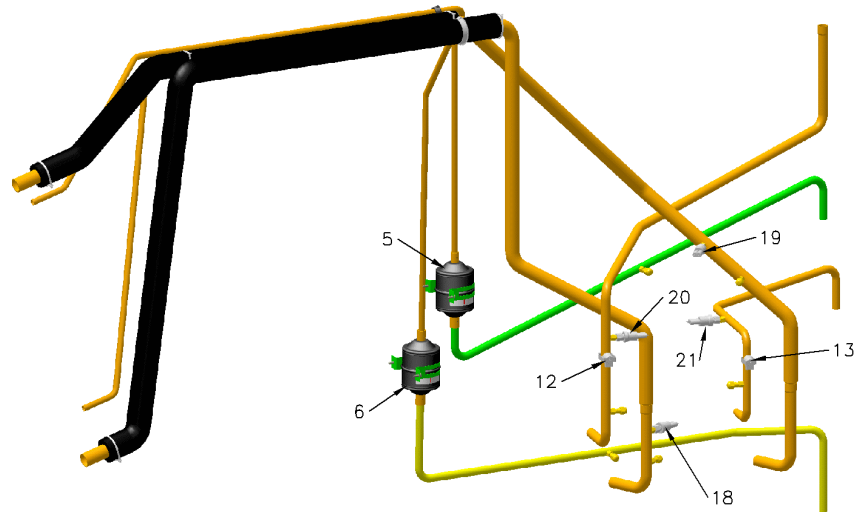
Part No.	Reference No.	Quantity	Description
COM08848	1	1	COMPRESSOR; SCROLL, SSA083A7BPZ, 6.9 TON, 575/60/3, R410A, .50 ID DISCHARGE, .875 ID SUCTION
COM09637	2	1	COMPRESSOR; SCROLL, SSA076A7BPZ, 6.3 TON, 575/60/3, R410A
PLU01208	3	1	PLUG, SCROLL COMPRESSOR
PLU01209	4	1	PLUG, SCROLL COMPRESSOR
GRM00888	6	8	GROMMET; ISOLATOR, COMPRESSOR, .438 ID X .160 GRV, .750 DIA X 1.625 OD, BLACK NEOPRENE RUBBER

REFRIGERANT TUBING

75010441

REV
A

TYPICAL ILLUSTRATION



Part No.	Reference No.	Quantity	Description
CAP00072	1	1	CAP; VALVE, SEAL, .25 FFL
COR00006	2	1	CORE; VALVE PORT, .79 LENGTH, .206-36 UNS 2A THD
VAL01483	3	1	VALVE; BODY, .44-20 THD X .25 ODS, STRAIGHT, BRASS, LESS CORE
DHY01470	5	1	DRIER; LIQUID LINE; SERVICE FIRST; 16 CU. IN. DCL165/4S, 5/8 ODF INLET X 1/2 ODF OUTLET; 11.4 TON CAPACITY; APPROVED FOR MINERAL OIL AND POE OIL REF
DHY01470	6	1	DRIER; LIQUID LINE; SERVICE FIRST; 16 CU. IN. DCL165/4S, 5/8 ODF INLET X 1/2 ODF OUTLET; 11.4 TON CAPACITY; APPROVED FOR MINERAL OIL AND POE OIL REF
THT03098	12	1	THERMOSTAT, WITH CLAMP
THT03096	13	1	THERMOSTAT, WITH CLAMP
SWT03781	18	1	SWITCH; LIMIT, LPC, NUMBER 1, YELLOW
SWT03780	19	1	SWITCH; LIMIT, LPC, NUMBER 2, BLUE
SWT03783	20	1	SWITCH; LIMIT, HPC, NUMBER 1, BLACK
SWT03782	21	1	SWITCH; LIMIT, HPC, NUMBER 2, RED

Part No.	Reference No.	Quantity	Description
PNL30272	4	1	PANEL; STD, CONTROL BOX COVER
BLK00362	5	1	BLOCK; TERMINAL, 3 POLE 175 AMP, 600 VOLT
CNT05176	6	1	CONTROL; MONITOR, 3-PHASE LINE, UNIVERSAL 180-632 VAC, PHASE AND LOSS REVERSAL
CON00077	7	1	CONNECTOR, ELECTRIC GROUND, 14-2 AWG SOLDERLESS
BLK01438	24	1	BLOCK; TERMINAL STRIP, 0.25 IN FASTON
CTR01870	40	1	CONTACTOR; 3 POLE, 30 FLA, W/O LUGS, 50/60 HZ, 24V COIL
CTR01870	41	1	CONTACTOR; 3 POLE, 30 FLA, W/O LUGS, 50/60 HZ, 24V COIL
TRR00826	120	1	TRANSFORMER; 75 VA, 460-575V PRI, 24V SEC
TRR02596	140	1	TRANSFORMER; 150 VA, AUTOTRANS
CNT04717	160	1	CONTROL; IGNITION MODULE, STANDALONE GAS DUAL STAGE
CPT00554	180	2	CAPACITOR; 10 MFD, 440 VOLT, OVAL
TER01594	240	1	TERMINAL; STRIP, LTB, INCLUDES CO2 & ESTOP CONNECTORS