

Part No.	Reference No.	Quantity	Description
75010440#GACUP1~S	*		COMPRESSORS
75010447#GACUP1~S	*		CONTROL PANEL
75012856#GACUP1~S	*		END PANEL, NO ECONOMIZER
75010428#GACUP1~S	*		EXTERIOR PANELS
GAC1000_GACUP1_105329~P	*		FOUNDATION ROOFTOP AIR CONDITIONER PARTS LIST
75010436#GACUP1~S	*		GAS BURNER MANIFOLD
75010433#GACUP1~S	*		GAS HEAT ASSEMBLY
75010434#GACUP1~S	*		GAS HEAT BLOWER
75010435#GACUP1~S	*		GAS HEAT BURNERS
75012837#GACUP1~S	*		GAS HEAT CASING
75010431#GACUP1~S	*		INDOOR COIL FILTERS
75010432#GACUP1~S	*		INDOOR COIL
75010438#GACUP1~S	*		INDOOR FAN ASSEMBLY
75010426#GACUP1~S	*		MODEL NUMBER DESCRIPTION
75010429#GACUP1~S	*		OUTDOOR COILS
75010439#GACUP1~S	*		OUTDOOR FAN ASSEMBLY
75010441#GACUP1~S	*		REFRIGERANT TUBING
75012855#GACUP1~S	*		TOP PANEL

NO GRAPHIC AVAILABLE

75013702

REV
A

**NO
GRAPHIC
AVAILABLE**

MODEL NUMBER DESCRIPTION		75010426	REV C
FOUNDATION			
Digit 1 Unit Type G= Gas Heat E= Cooling	Digit 2 Efficiency A= Standard	Digit 3 Airflow C= Convertible D= Downflow	Digit 4,5,6 Unit Tonnage 036= 3 Ton 120= 10 Ton 048= 4 Ton 150= 12.5 Ton 060= 5 Ton 180= 15 Ton 072= 6 Ton 210= 17.5 Ton 090= 7.5 Ton 240= 20 Ton 102= 8.5 Ton 300= 25 Ton 270= 22 Ton
Digit 7 Major Design Sequence A= R-410a	Digit 8 Voltage Selection 3= 208-230/60/3 4= 460/60/3 W= 575/60/3 K= 380/60/3 D= 380/50/3	Digit 9 Unit Controls E= Electro-mechanical	Digit 10 Heating Capacity 0= No Heat B= 6 kW electric heat C= 9 kW electric heat E= 12 kW electric heat G= 18 kW electric heat J= 23 kW electric heat K= 27 kW electric heat N= 36 kW electric heat P= 54 kW electric heat R= 72 kW electric heat H= Gas Heat - High L= Gas Heat - Low M= Gas Heat - Medium X= Gas Heat - SS Ht Ex - Low Y= Gas Heat - SS Ht Ex- Med Z= Gas Heat - SS Ht Ex - High
Digit 11 Minor Design Sequence A= Minor Des. Seq.	Digit 12,13 Service Sequence 00= None	Digit 14 Fresh Air Selection 0= No Fresh Air A= Manual damper B= Motorized OA 0-50% C= Economizer Dry Bulb w/o barometric relief D= Econ Dry Bulb w/ barometric relief E= Econ Reference Enthaply without barometric relief F= Econ Reference Enthaply with barometric relief G= Econ Comparative Enthaply without barometric relief H= Econ Comparative Enthaply with barometric relief J= Low Leak Econ Dry Bulb without barometric relief L= Low Leak Econ Reference Enthaply without barometric relief N= Low Leak Econ Comparative Enthaply without barometric relief	Digit 15 Supply Fan/Drive Type/Motor 0= Standard Drive 1= Oversized Motor 7= Two Speed Standard 9= Two Speed Oversized
		Digit 16 Hinged Service Access / Filters 0= Standard panels/standard filters	Digit 17 Condenser Coil Protection 0= Standard coil 4= ECoated Coil
		Digit 18 Through The Base Provisions 0= No through the base provisions A= Through the base electric B= Through the base gas C= Through the base electric/gas	Digit 19 Disconnect Switch/Circuit Breaker 0= None 1= Unit Mount Non-Fused Disconnect Switch
		Digit 20-24 0= None	Digit 25 System Monitoring Controls 0= None A= Condensate Drainpan Overflow Switch
		Digit 26 System Monitoring Controls 0= No Monitoring Controls B= Fault Detection Device	Digit 27-40 0= None

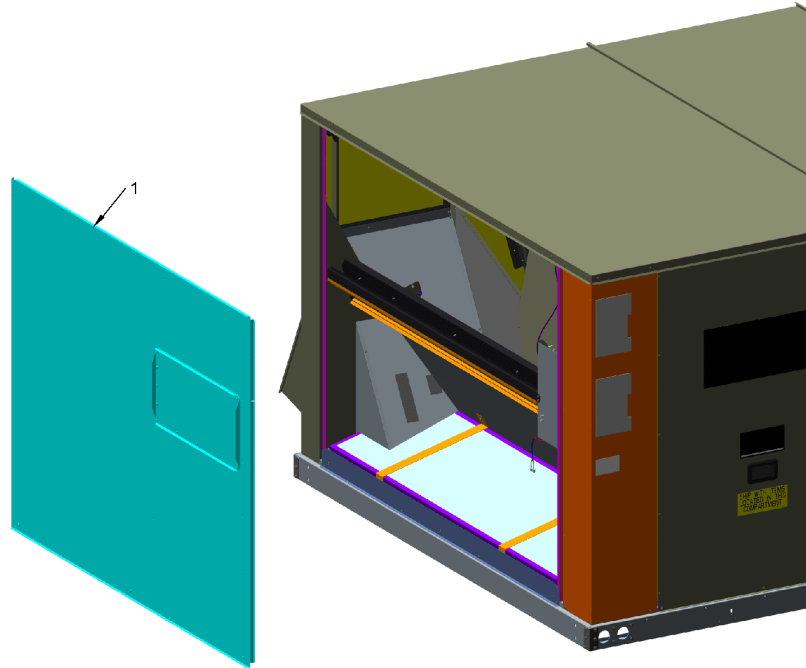
Part No.	Reference No.	Quantity	Description
75010426_GACUP1_105331~P	*		MODEL NUMBER DESCRIPTION PARTS LIST

MODEL NUMBER DESCRIPTION		75010426	REV C
FOUNDATION			
Digit 1 Unit Type G= Gas Heat E= Cooling	Digit 2 Efficiency A= Standard	Digit 3 Airflow C= Convertible D= Downflow	Digit 14 Fresh Air Selection 0= No Fresh Air A= Manual damper B= Motorized OA 0-50% C= Economizer Dry Bulb w/o barometric relief D= Econ Dry Bulb w/ barometric relief E= Econ Reference Enthaply without barometric relief F= Econ Reference Enthaply with barometric relief G= Econ Comparative Enthaply without barometric relief H= Econ Comparative Enthaply with barometric relief J= Low Leak Econ Dry Bulb without barometric relief L= Low Leak Econ Reference Enthaply without barometric relief N= Low Leak Econ Comparative Enthaply without barometric relief
Digit 4,5,6 Unit Tonnage 036= 3 Ton 120= 10 Ton 048= 4 Ton 150= 12.5 Ton 060= 5 Ton 180= 15 Ton 072= 6 Ton 210= 17.5 Ton 090= 7.5 Ton 240= 20 Ton 102= 8.5 Ton 300= 25 Ton 270= 22 Ton	Digit 7 Major Design Sequence A= R-410a	Digit 8 Voltage Selection 3= 208-230/60/3 4= 460/60/3 W= 575/60/3 K= 380/60/3 D= 380/50/3	Digit 15 Supply Fan/Drive Type/Motor 0= Standard Drive 1= Oversized Motor 7= Two Speed Standard 9= Two Speed Oversized
Digit 9 Unit Controls E= Electro-mechanical	Digit 10 Heating Capacity 0= No Heat B= 6 kW electric heat C= 9 kW electric heat E= 12 kW electric heat G= 18 kW electric heat J= 23 kW electric heat K= 27 kW electric heat N= 36 kW electric heat P= 54 kW electric heat R= 72 kW electric heat H= Gas Heat - High L= Gas Heat - Low M= Gas Heat - Medium X= Gas Heat - SS Ht Ex - Low Y= Gas Heat - SS Ht Ex- Med Z= Gas Heat - SS Ht Ex - High	Digit 16 Hinged Service Access / Filters 0= Standard panels/standard filters	Digit 17 Condenser Coil Protection 0= Standard coil 4= ECoated Coil
Digit 11 Minor Design Sequence A= Minor Des. Seq.	Digit 12,13 Service Sequence 00= None	Digit 18 Through The Base Provisions 0= No through the base provisions A= Through the base electric B= Through the base gas C= Through the base electric/gas	Digit 19 Disconnect Switch/Circuit Breaker 0= None 1= Unit Mount Non-Fused Disconnect Switch
		Digit 20-24 0= None	Digit 25 System Monitoring Controls 0= None A= Condensate Drainpan Overflow Switch
		Digit 26 System Monitoring Controls 0= No Monitoring Controls B= Fault Detection Device	Digit 27-40 0= None

END PANEL
NO ECONOMIZER

75012856

REV.
A



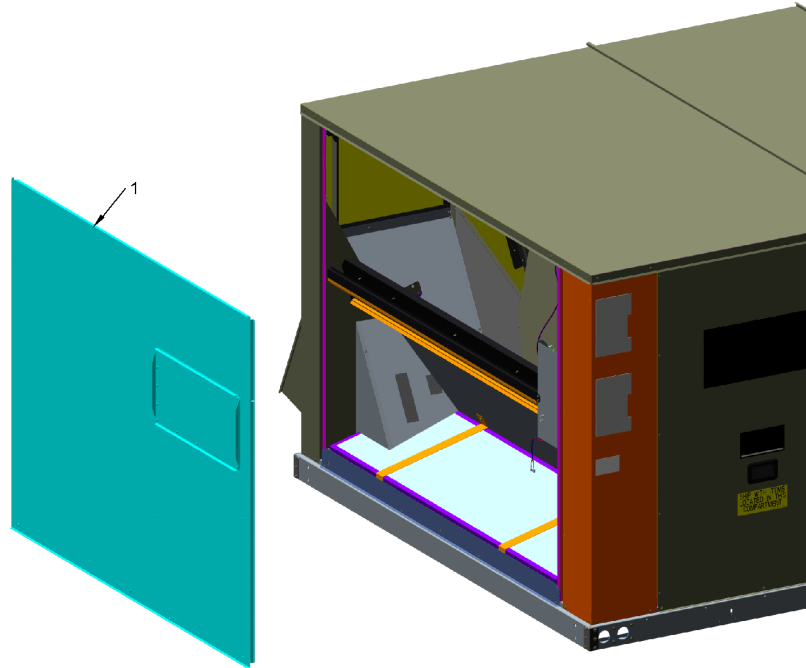
This is a typical illustration. The unit in the field may not appear exactly as shown.

Part No.	Reference No.	Quantity	Description
75012856_GACUP1_111813~P	*		END PANEL, NO ECONOMIZER PARTS LIST

END PANEL
NO ECONOMIZER

75012856

REV.
A



This is a typical illustration. The unit in the field may not appear exactly as shown.

Parts List Number :GAC1000#GACUP1

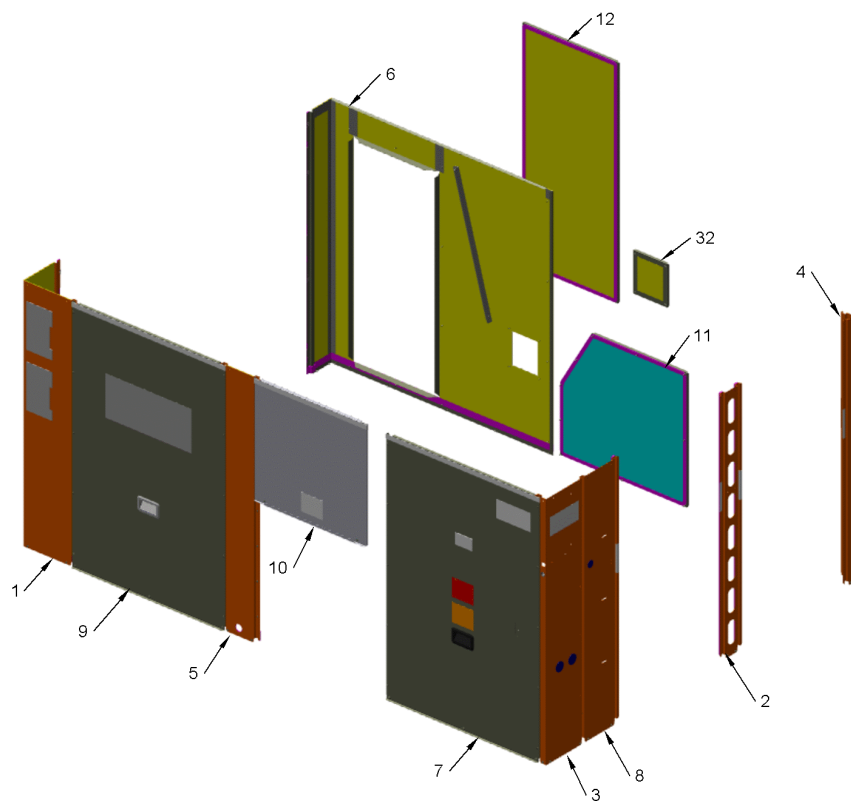
Model Number :GAC210A4ELA0000

Part No.	Reference No.	Quantity	Description
PNL31953	1	1	PANEL; SUPPORT, ECONOMIZER

EXTERIOR PANELS

75010428

REV
C



This is a typical illustration. The unit in the field may not appear exactly as shown.

EXTERIOR PANELS

Parts List Number :GAC1000#GACUP1

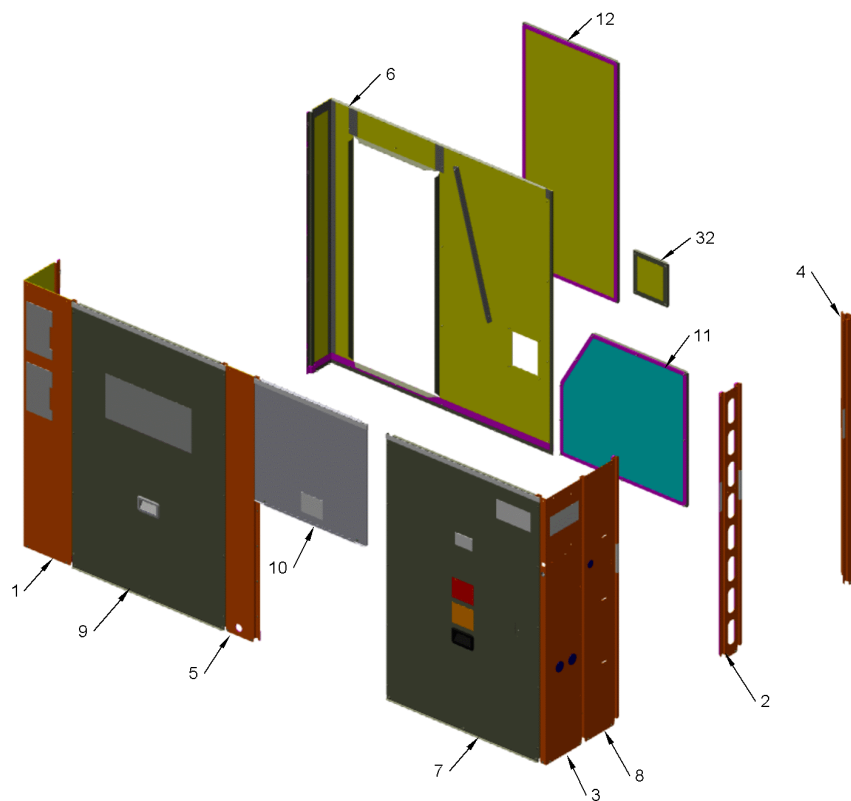
Model Number :GAC210A4ELA0000

Part No.	Reference No.	Quantity	Description
75010428_GACUP1_105334~P	*		EXTERIOR PANELS PARTS LIST

EXTERIOR PANELS

75010428

REV
C



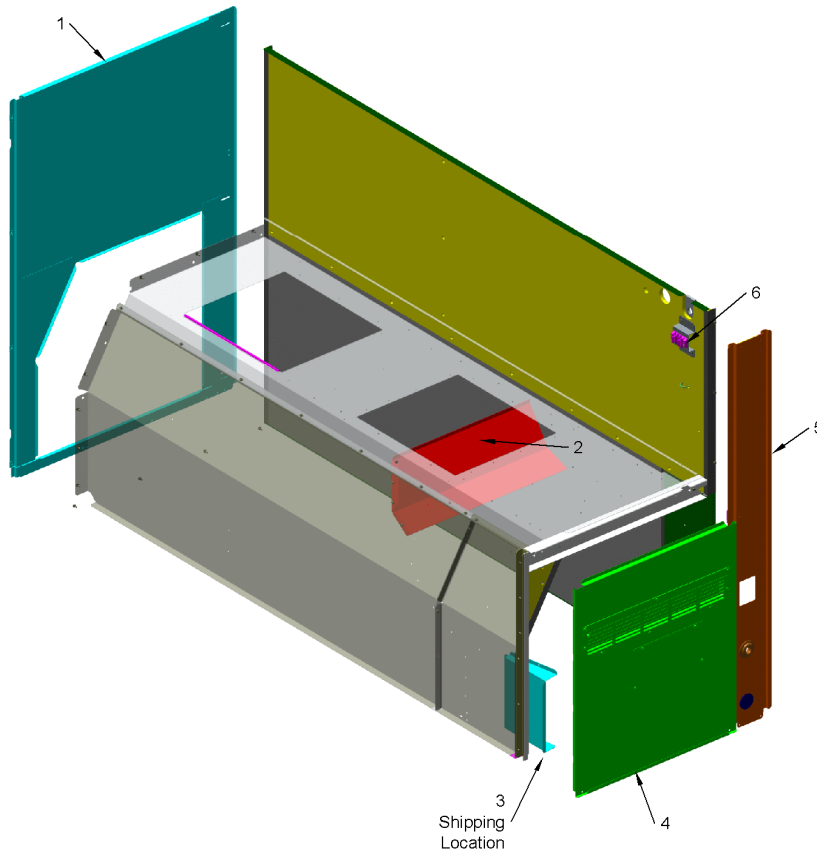
This is a typical illustration. The unit in the field may not appear exactly as shown.

Part No.	Reference No.	Quantity	Description
SUP05864	1	1	SUPPORT; POST, I.D. CORNER
SUP05865	2	1	SUPPORT; POST REAR CENTER
SUP05869	3	1	SUPPORT; POST, OD CORNER
SUP05870	4	1	SUPPORT; CORNER, OD, REAR
SUP05871	5	1	SUPPORT; POST CENTER, FRONT ID COIL
PNL35341	6	1	PANEL; LEFT BACK
PNL31700	7	1	PANEL; ACCESS PANEL
PNL31701	8	1	PANEL; OD COIL MOUNTING
PNL31698	9	1	PANEL; FILTER ACCESS, 53 X 36
PNL31702	10	1	PANEL; ID MOTOR ASSESS
PNL31703	11	1	PANEL; HZ SUPPLY COVER
PNL31704	12	1	PANEL; HZ RETURN DUCT COVER
PNL35342	32	1	PANEL; ASSEMBLY COVER; HZ RETURN OPENING

GAS HEAT CASING

75012837

REV.
A



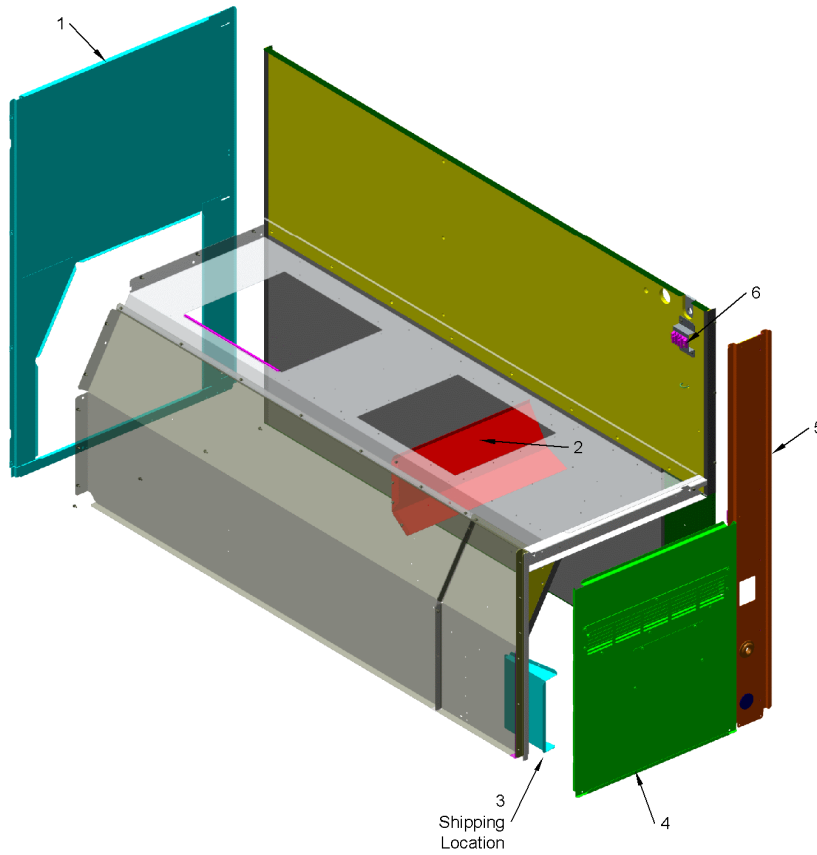
This is a typical illustration. The unit in the field may not appear exactly as shown.

Part No.	Reference No.	Quantity	Description
75012837_GACUP1_105932~P	*		GAS HEAT CASING PARTS LIST

GAS HEAT CASING

75012837

REV.
A



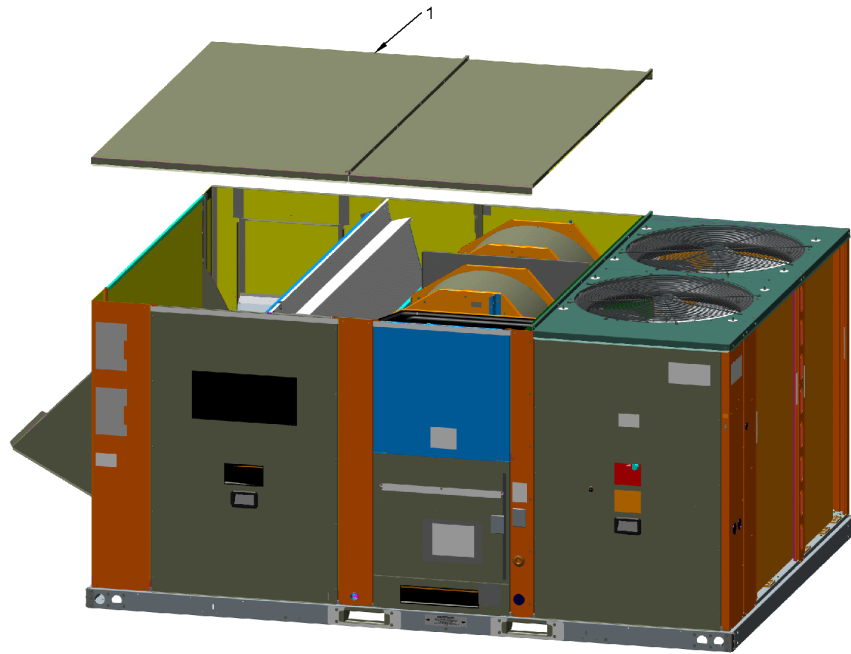
This is a typical illustration. The unit in the field may not appear exactly as shown.

Part No.	Reference No.	Quantity	Description
PNL34628	1	1	PANEL; ASSEMBLY; SUPPLY PANEL
BAF01404	2	1	BAFFLE; GAS HEAT
PNL31705	4	1	PANEL; GAS HEAT ACCESS
SUP05868	5	1	SUPPORT; ID FRONT, GH 240MBH
TER01631	6	1	TERMINAL STRIP, 3P, 30A 600V

TOP PANEL

75012855

REV.
A



This is a typical illustration. The unit in the field may not appear exactly as shown.

Parts List Number :GAC1000#GACUP1

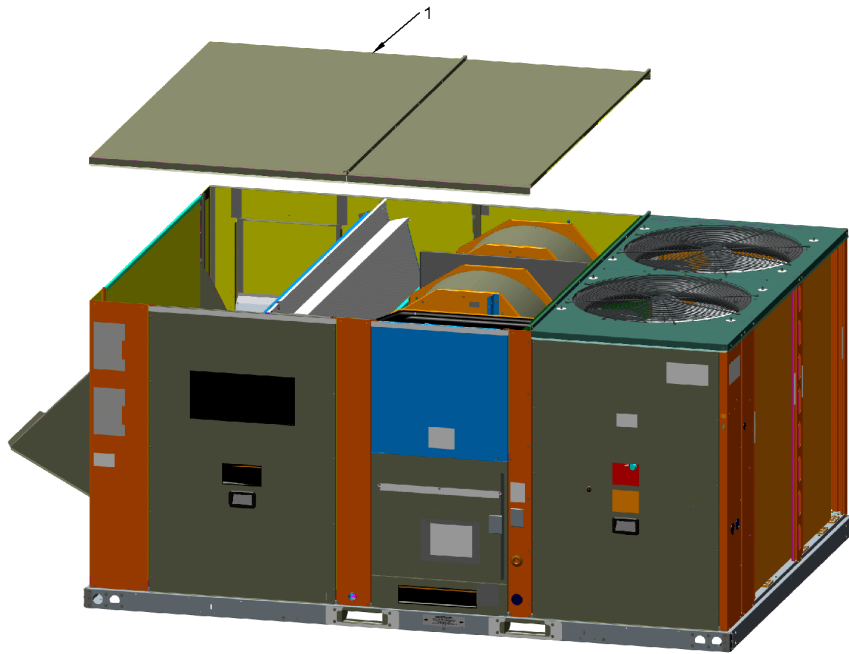
Model Number :GAC210A4ELA0000

Part No.	Reference No.	Quantity	Description
75012855_GACUP1_105980~P	*		TOP PANEL PARTS LIST

TOP PANEL

75012855

REV.
A



This is a typical illustration. The unit in the field may not appear exactly as shown.

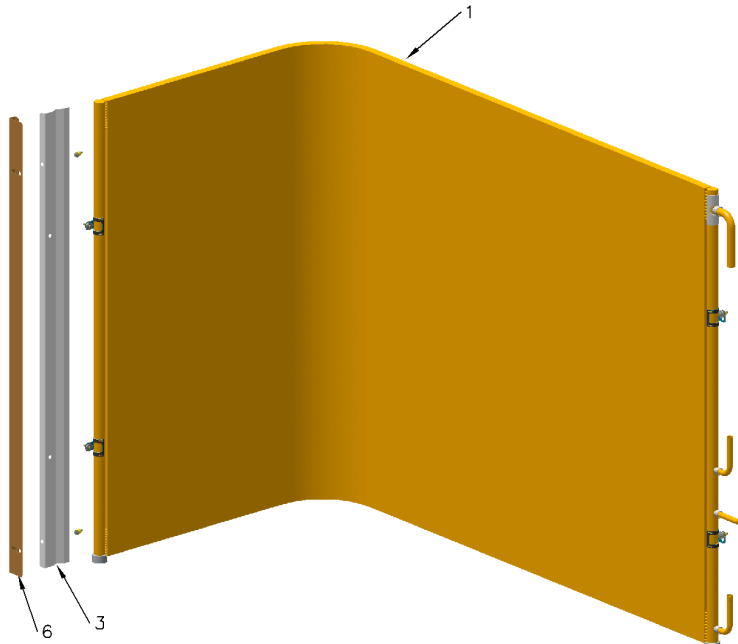
Part No.	Reference No.	Quantity	Description
PNL30271	1	1	PANEL; TOP COVER ASSEMBLY

OUTDOOR COIL

75010429

REV
A

TYPICAL ILLUSTRATION



OUTDOOR COILS

Parts List Number :GAC1000#GACUP1

Model Number :GAC210A4ELA0000

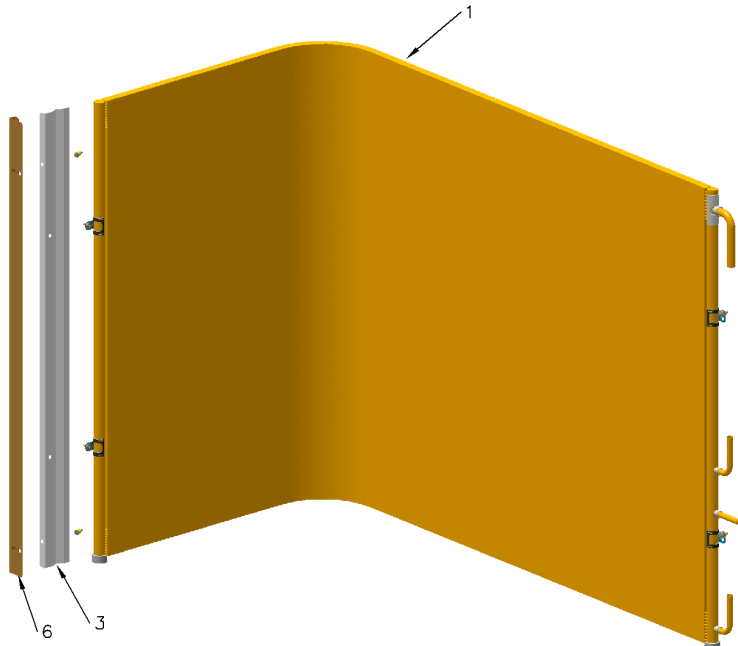
Part No.	Reference No.	Quantity	Description
75010429_GACUP1_111797~P	*		OUTDOOR COILS PARTS LIST

OUTDOOR COIL

75010429

REV
A

TYPICAL ILLUSTRATION



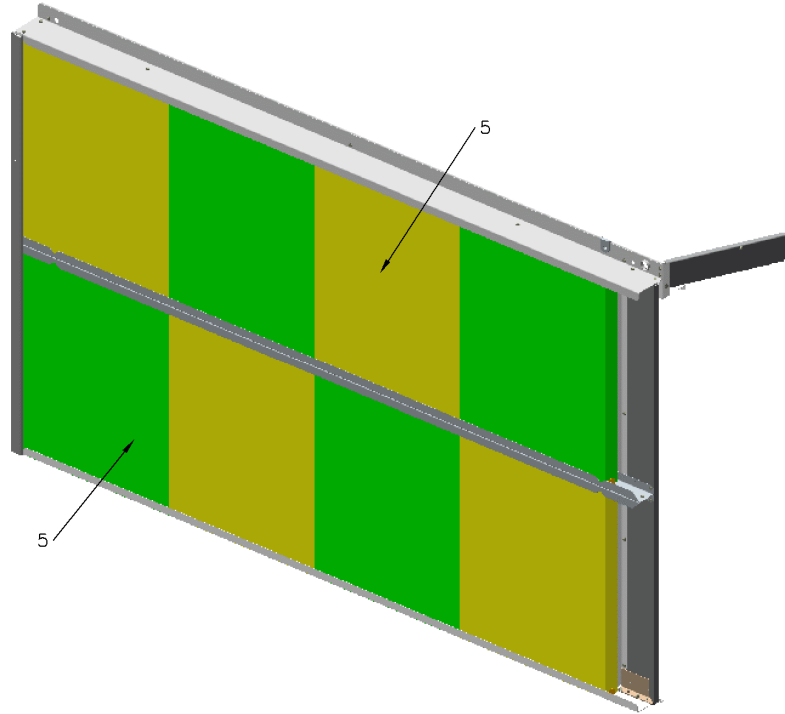
Part No.	Reference No.	Quantity	Description
COL22654	1	1	COIL; OD MCH E BENT, 53.0 X 95.4, 18MM, 2 CIR, STD
BRK04431	3	1	BRACKET, COIL RETAINER REAR
BRK03496	6	1	BRACKET; COIL REAR

INDOOR COIL FILTERS

75010431

REV
A

TYPICAL ILLUSTRATION



INDOOR COIL FILTERS

Parts List Number :GAC1000#GACUP1

Model Number :GAC210A4ELA0000

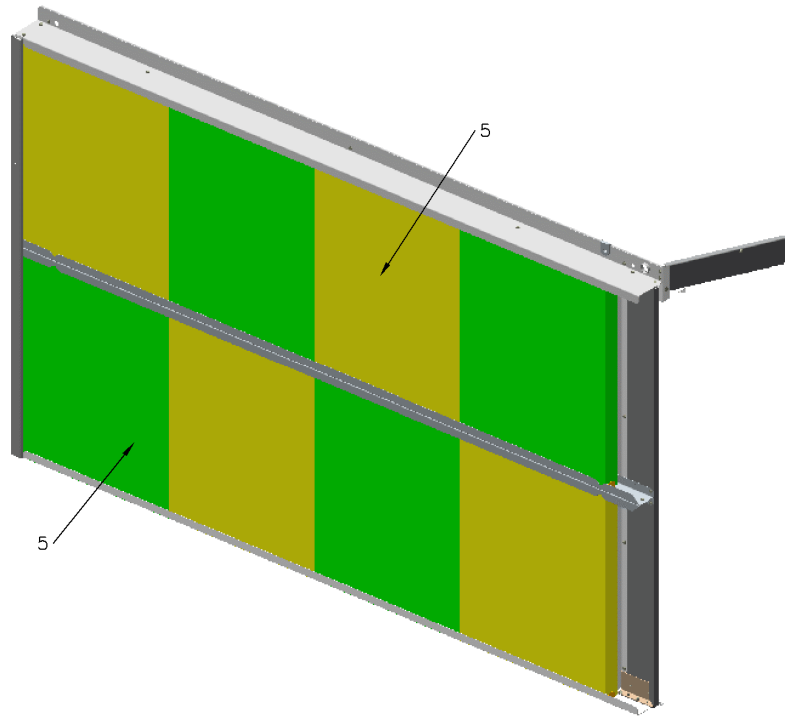
Part No.	Reference No.	Quantity	Description
75010431_GACUP1_105580~P	*		INDOOR COIL FILTERS PARTS LIST

INDOOR COIL FILTERS

75010431

REV
A

TYPICAL ILLUSTRATION



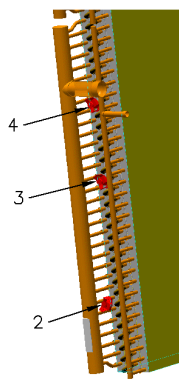
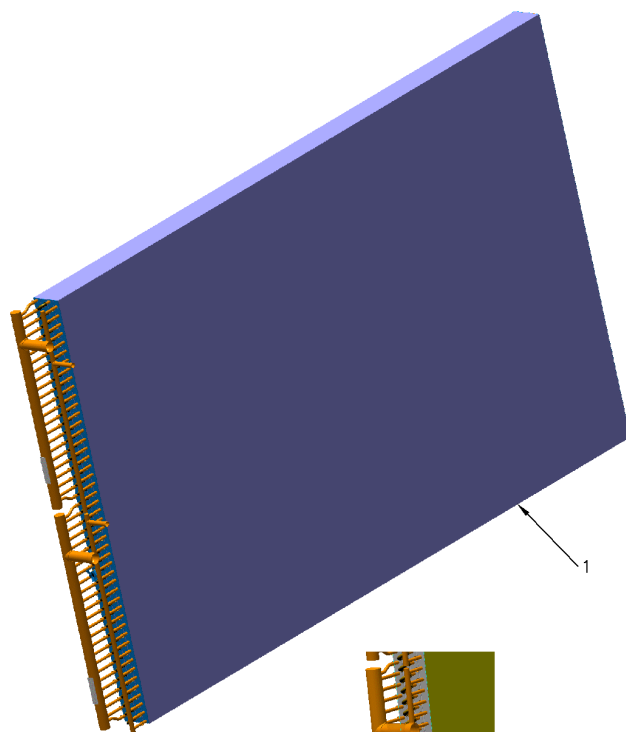
Part No.	Reference No.	Quantity	Description
FLR00063	5	8	FILTER; 20X25X2

INDOOR COIL

75010432

REV
A

TYPICAL ILLUSTRATION



Frostat
Location

Parts List Number :GAC1000#GACUP1

Model Number :GAC210A4ELA0000

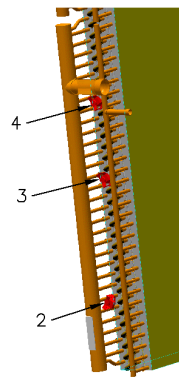
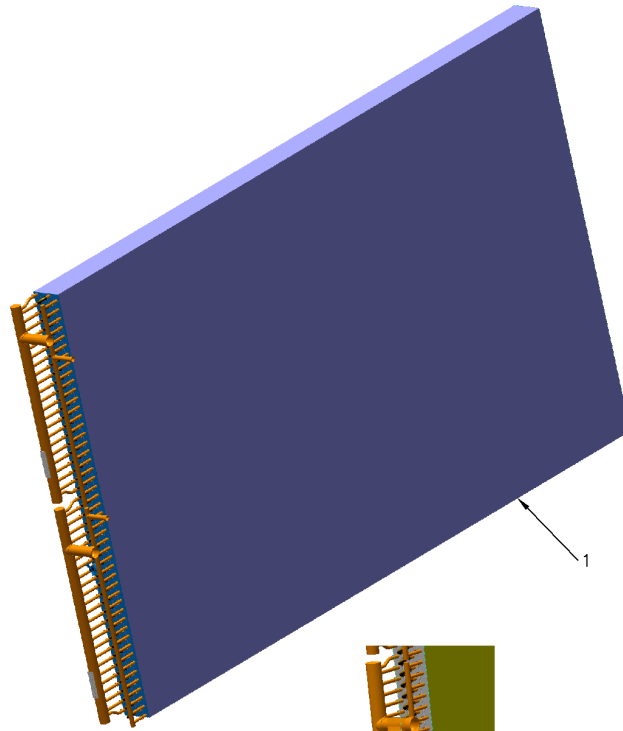
Part No.	Reference No.	Quantity	Description
75010432_GACUP1_132225~P	*		INDOOR COIL PARTS LIST

INDOOR COIL

75010432

REV
A

TYPICAL ILLUSTRATION



Frostat
Location

INDOOR COIL PARTS LIST

Parts List Number :GAC1000#GACUP1

Model Number :GAC210A4ELA0000

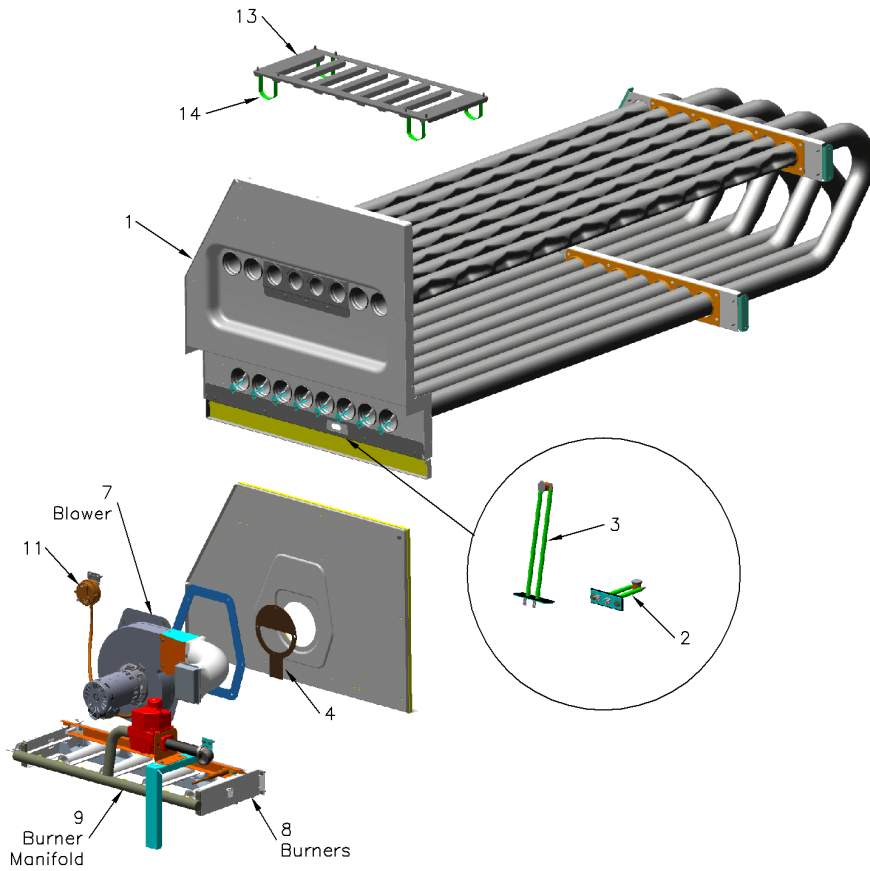
Part No.	Reference No.	Quantity	Description
PAN03448	*	1	PAN; DRAINPAN
COL23172	1	1	COIL, INDOOR 17.5 TON

GAS HEAT ASSEMBLY

75010433

REV
A

TYPICAL ILLUSTRATION



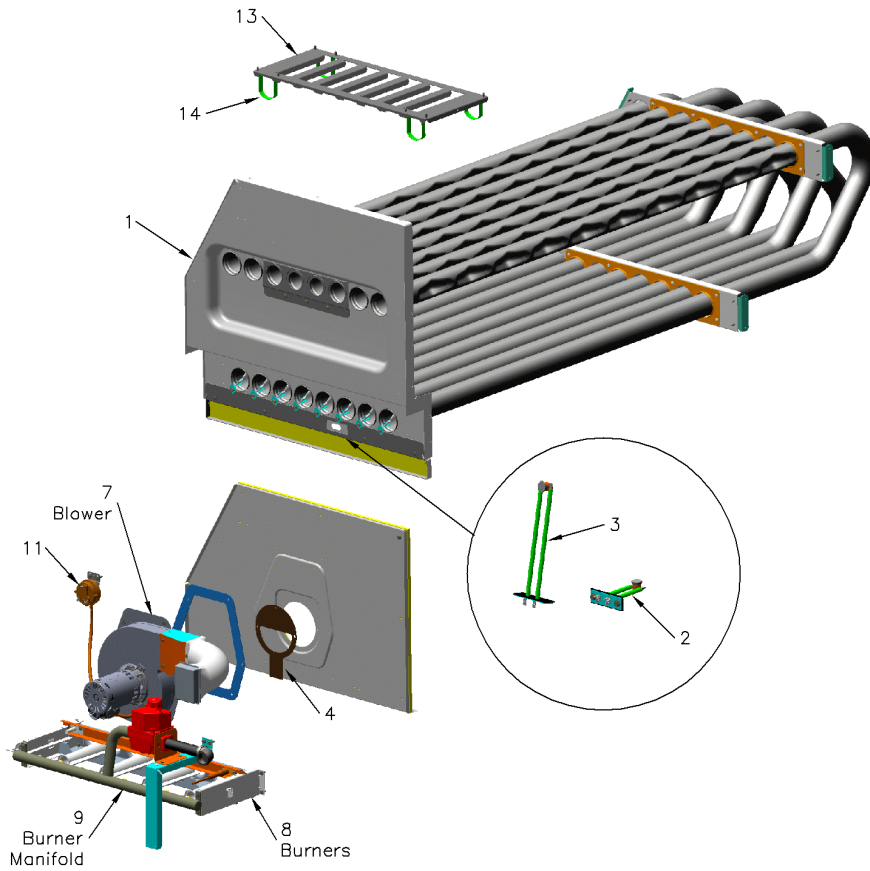
Part No.	Reference No.	Quantity	Description
75010436#GACUP1~S	*		BURNER MANIFOLD
75010433_GACUP1_132227~P	*		GAS HEAT ASSEMBLY PARTS LIST
75010434#GACUP1~S	*		GAS HEAT BLOWER
75010435#GACUP1~S	*		GAS HEAT BURNERS

GAS HEAT ASSEMBLY

75010433

REV
A

TYPICAL ILLUSTRATION



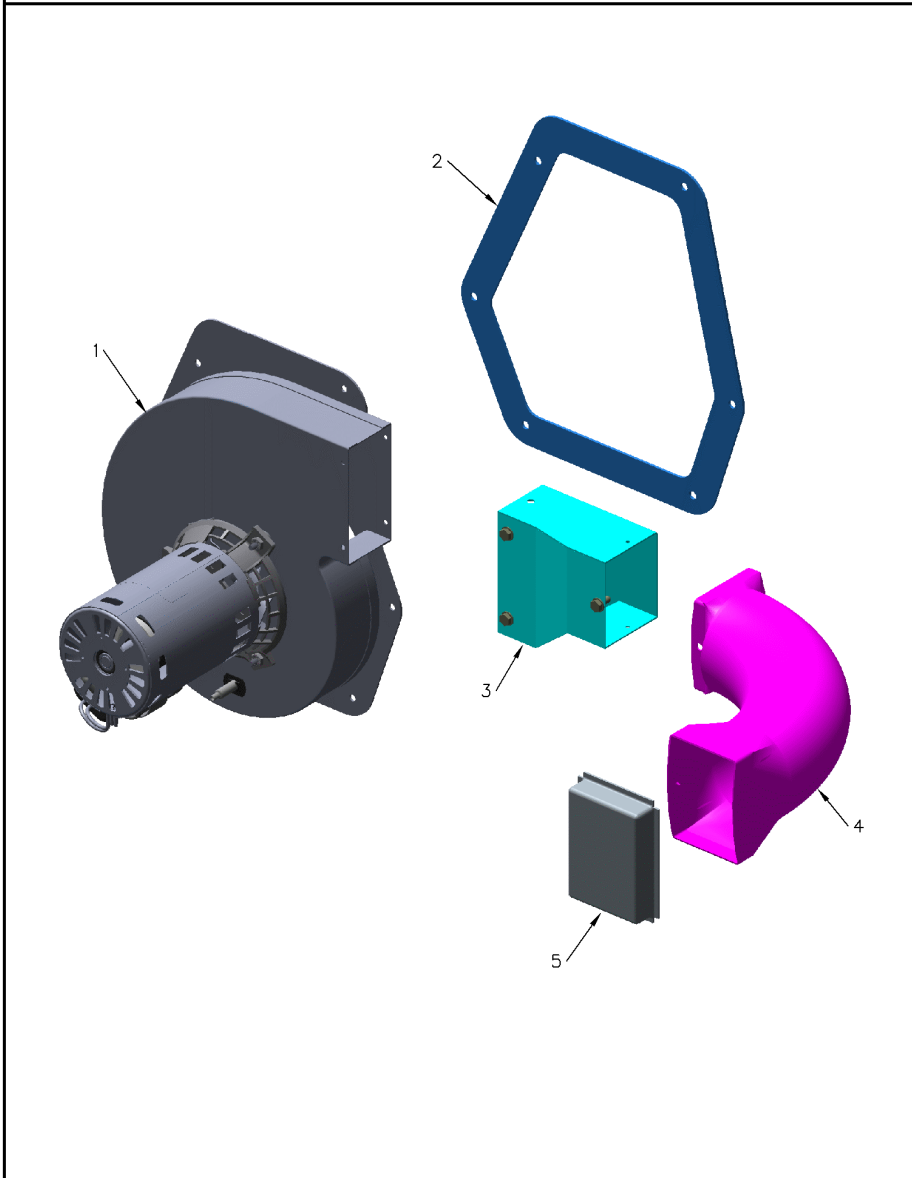
Part No.	Reference No.	Quantity	Description
EXC02575	1	1	EXCHANGER; COLLECTOR PLATE AND TUBE, 240 MBH
CNT07188	2	1	CONTROL, TEMPERATURE; HI-LIMIT, 140F OP/110F CL, YELLOW
CNT07189	3	1	CONTROL, TEMPERATURE; HI-LIMIT, 220F OP/190F CL, NATURAL
ORF01745	4	1	ORIFICE; COMBUSTION AIR, 240 MBH
CNT03666	11	1	CONTROL; DIFFERENTIAL PRESSURE SWITCH, ROTATED 180 DEG, SPST, SNAP ACTING CONTACTS, NO, 5 AMP RESISTIVE AT 24 VAC

GAS HEAT BLOWER

75010434

REV
A

TYPICAL ILLUSTRATION



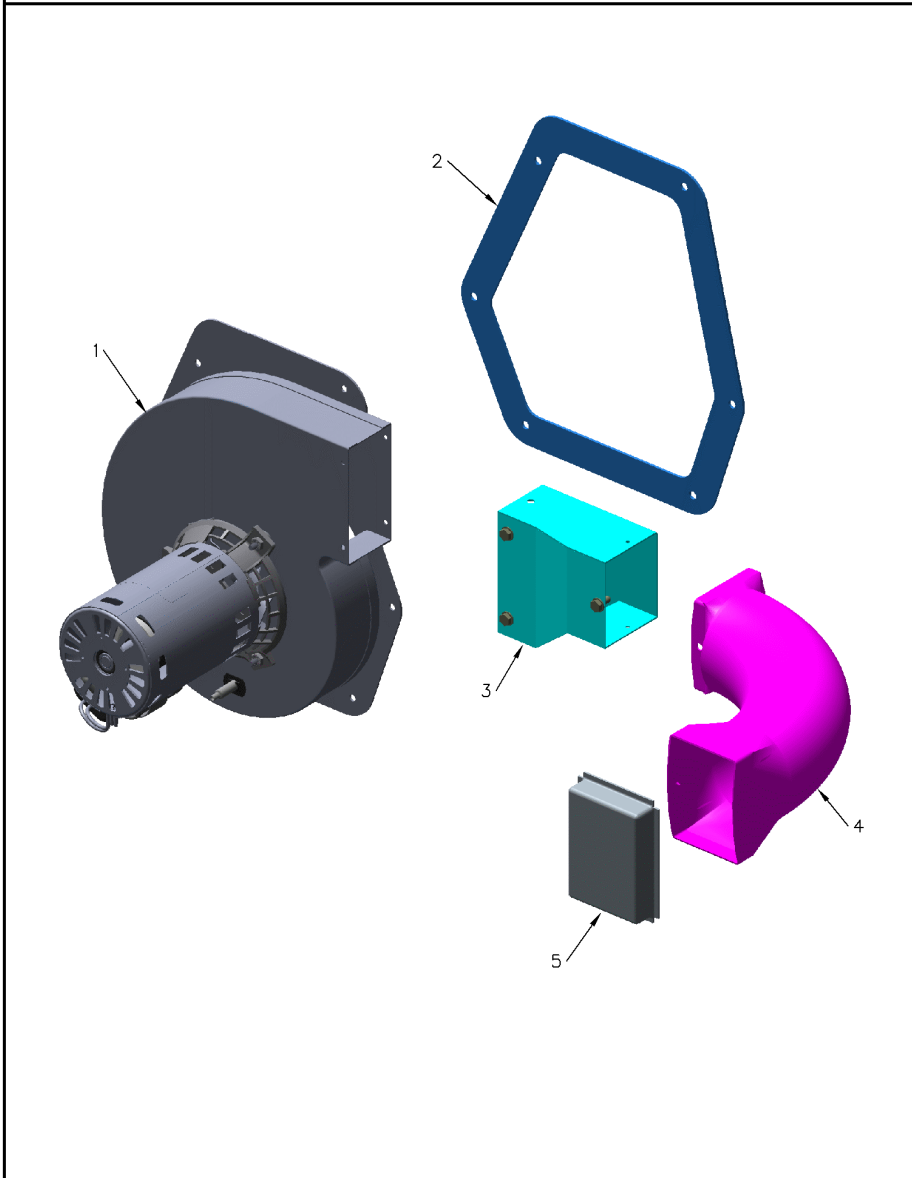
Part No.	Reference No.	Quantity	Description
75010434_GACUP1_105669~P	*		GAS HEAT BLOWER PARTS LIST

GAS HEAT BLOWER

75010434

REV
A

TYPICAL ILLUSTRATION



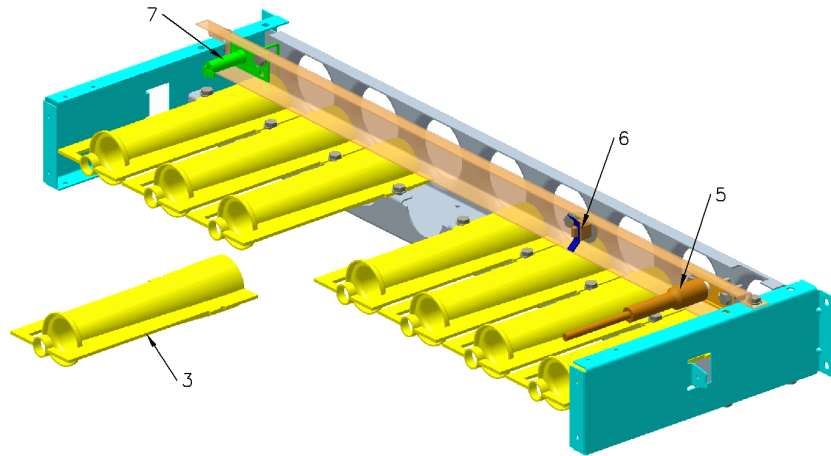
Part No.	Reference No.	Quantity	Description
BLW01334	1	1	BLOWER; FAN, 2 SPEED INDUCER, 240 MBH, THE GROUND WIRE MAY OR MAY NOT BE INCLUDED. THE USE OF A GROUND WIRE IS NOT REQUIRED BY UL
GKT04680	2	1	GASKET; COMBUSTION BLOWER, SMALL
DUC01040	4	1	DUCT; FLUE EXHAUST, ALUMINUM COATED WELDED STEEL TUBING
SRN00850	5	1	SCREEN, EXHAUST, STAINLESS STEEL WIRE MESH, 3.47 X 2.50

GAS HEAT BURNERS

75010435

REV
A

TYPICAL ILLUSTRATION



GAS HEAT BURNERS

Parts List Number :GAC1000#GACUP1

Model Number :GAC210A4ELA0000

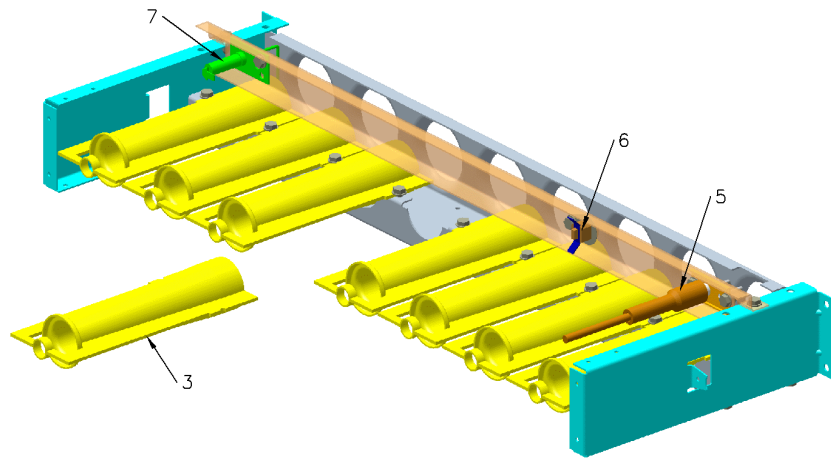
Part No.	Reference No.	Quantity	Description
75010435_GACUP1_105680~P	*		GAS HEAT BURNERS PARTS LIST

GAS HEAT BURNERS

75010435

REV
A

TYPICAL ILLUSTRATION



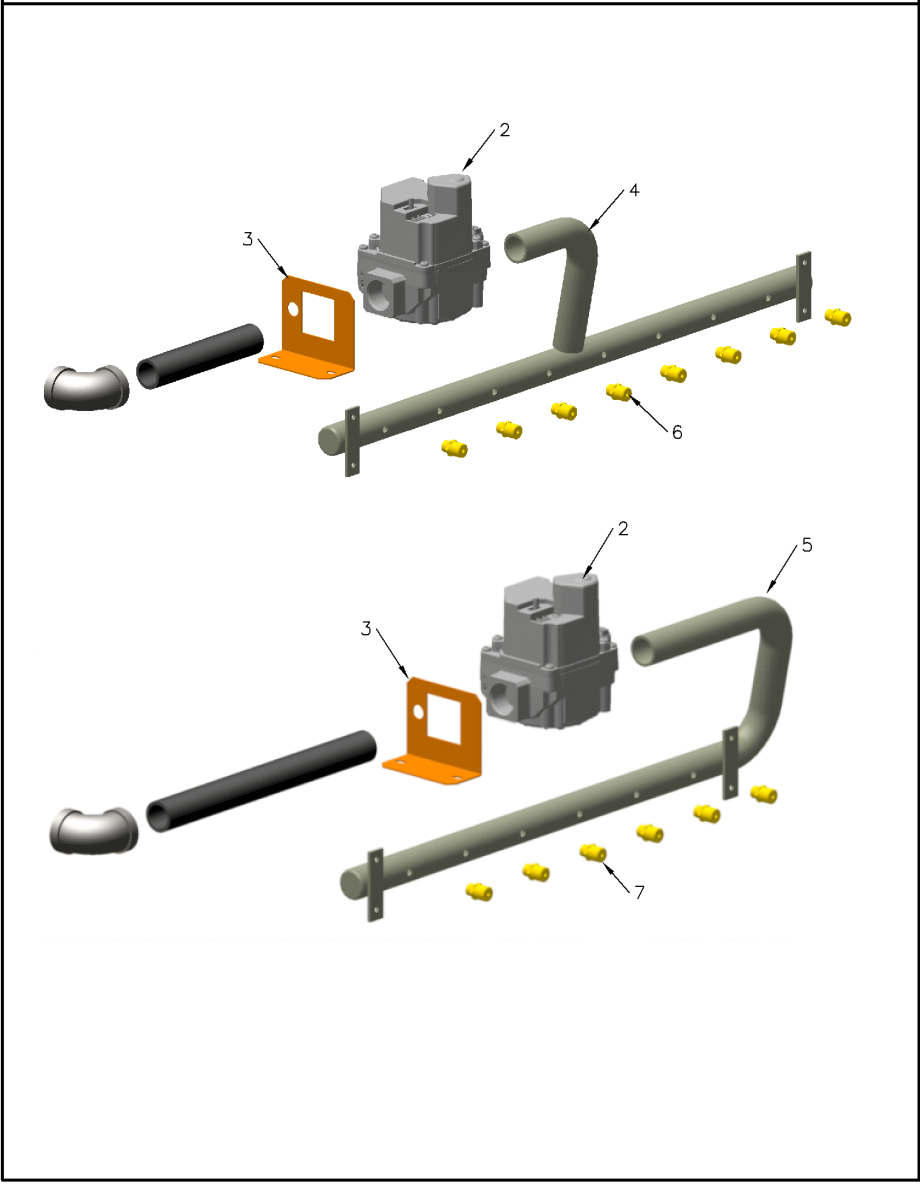
Part No.	Reference No.	Quantity	Description
BNR01070	3	6	BURNER; .70 ID INSHOT BURNER, .036 THK 304 STAINLESS STEEL
IGN00267	5	1	IGNITOR, 53 INCH LEAD
MFD01368	5	1	MANIFOLD; ASSY WITH BRACKET, 6 TUBE
SWT02649	6	1	SWITCH; FLAME ROLLOUT, 240F, OPENS ON TEMP RISE, MANUAL RESET, SPST, 25A/240V QC TERMINAL
ORF01308	7	6	ORIFICE; GAS, .120 DIA, # 31 DRILL, SPUD
SEN00297	7	1	SENSOR; FLAME

GAS BURNER MANIFOLD

75010436

REV
A

TYPICAL ILLUSTRATIONS



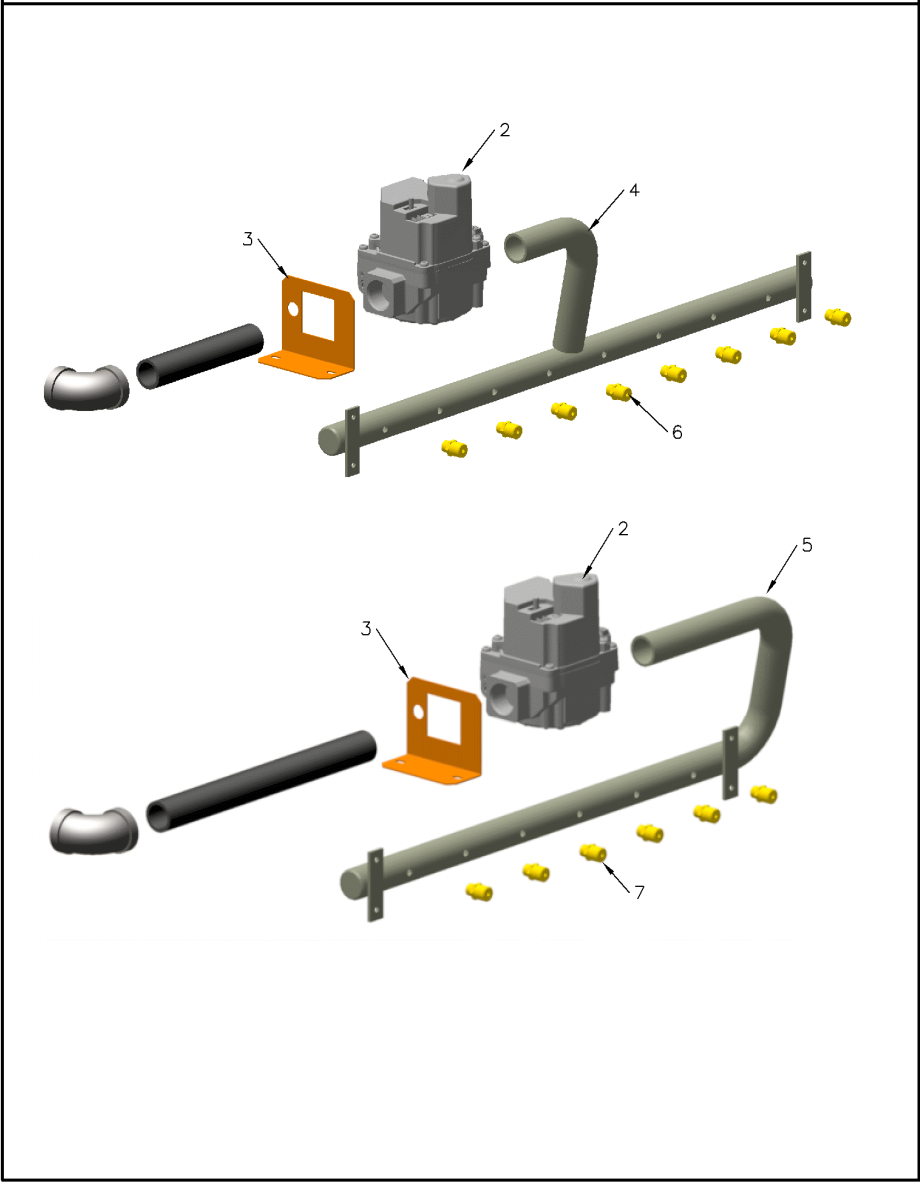
Part No.	Reference No.	Quantity	Description
75010436_GACUP1_105707~P	*		BURNER MANIFOLD PARTS LIST

GAS BURNER MANIFOLD

75010436

REV
A

TYPICAL ILLUSTRATIONS



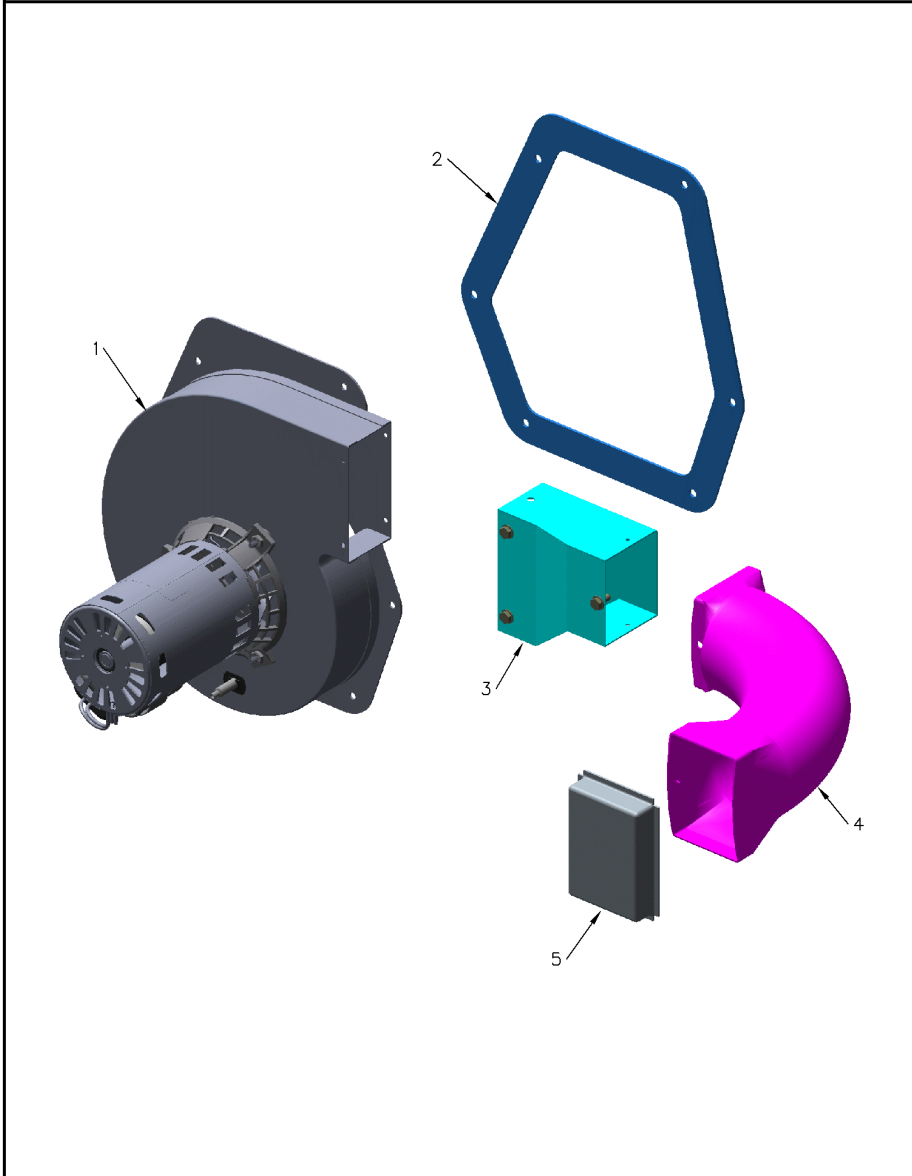
Part No.	Reference No.	Quantity	Description
VAL08750	2	1	VALVE; GAS, NATURAL, 2 STAGE, 24 VAC, 50/60 HZ, .4 AMP REDUNDANT, INLET OUTLET 3/4 X 3/4-14 NPT, MAX OP PRESSURE .5 PSIG
BRK04442	3	1	BRACKET, GAS VALVE CLAMP

GAS HEAT BLOWER

75010434

REV
A

TYPICAL ILLUSTRATION



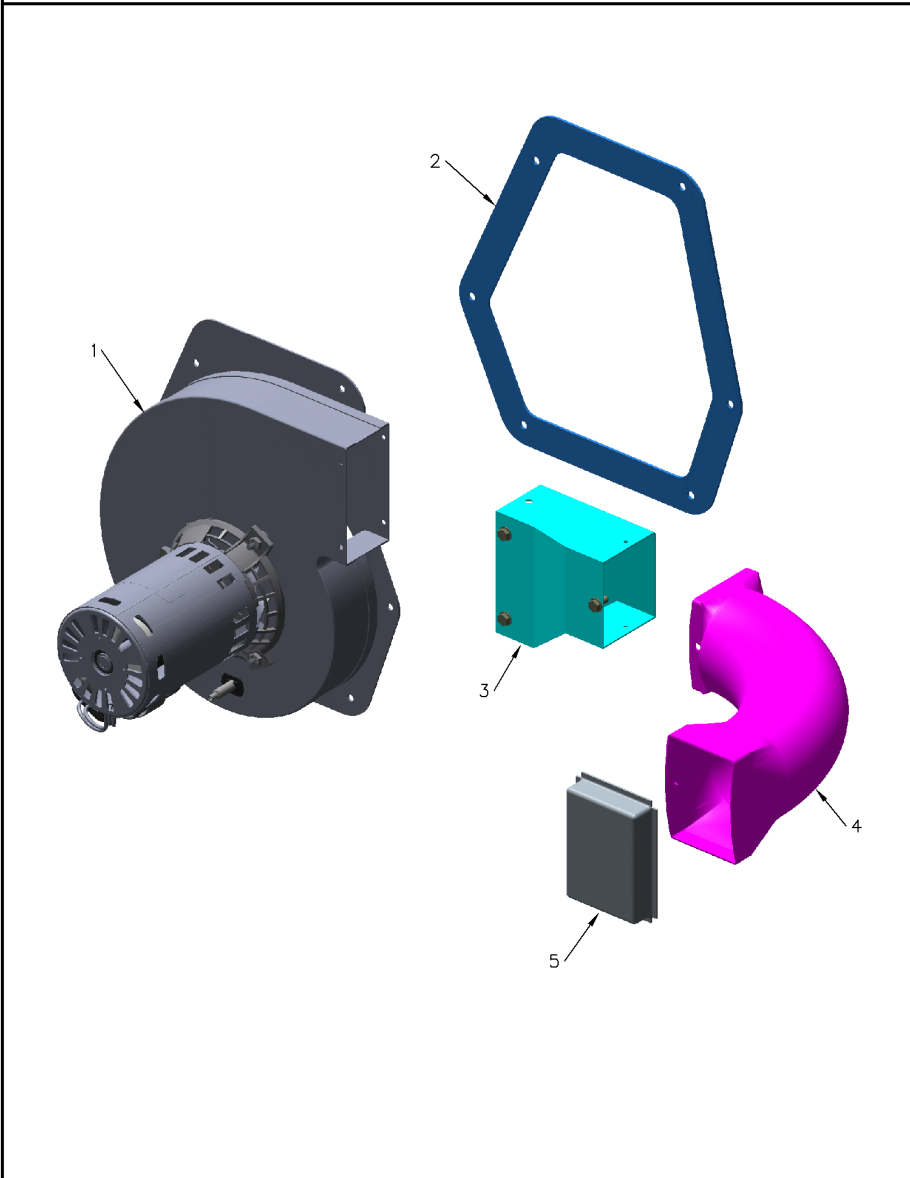
Part No.	Reference No.	Quantity	Description
75010434_GACUP1_105669~P	*		GAS HEAT BLOWER PARTS LIST

GAS HEAT BLOWER

75010434

REV
A

TYPICAL ILLUSTRATION



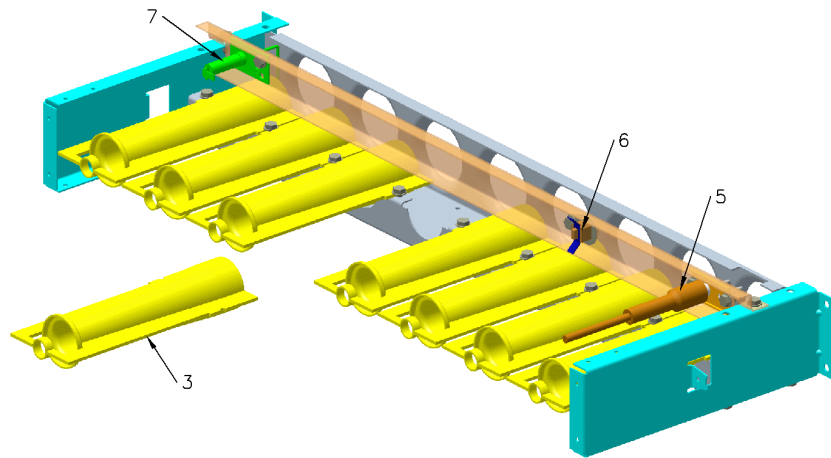
Part No.	Reference No.	Quantity	Description
BLW01334	1	1	BLOWER; FAN, 2 SPEED INDUCER, 240 MBH, THE GROUND WIRE MAY OR MAY NOT BE INCLUDED. THE USE OF A GROUND WIRE IS NOT REQUIRED BY UL
GKT04680	2	1	GASKET; COMBUSTION BLOWER, SMALL
DUC01040	4	1	DUCT; FLUE EXHAUST, ALUMINUM COATED WELDED STEEL TUBING
SRN00850	5	1	SCREEN, EXHAUST, STAINLESS STEEL WIRE MESH, 3.47 X 2.50

GAS HEAT BURNERS

75010435

REV
A

TYPICAL ILLUSTRATION



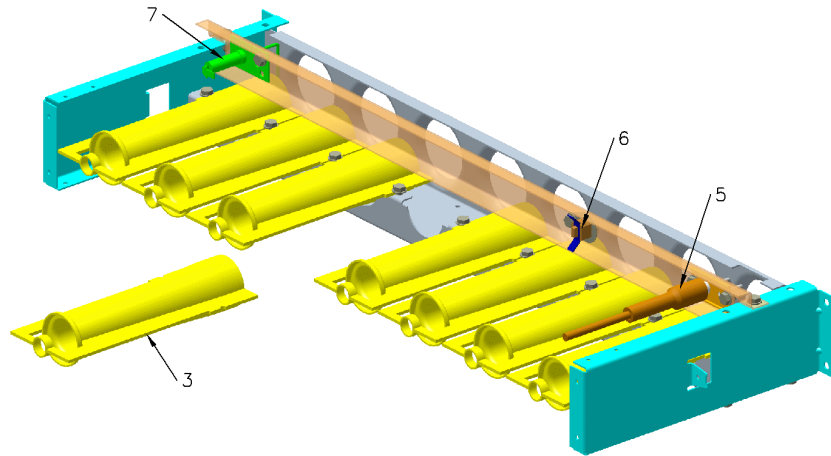
Part No.	Reference No.	Quantity	Description
75010435_GACUP1_105680~P	*		GAS HEAT BURNERS PARTS LIST

GAS HEAT BURNERS

75010435

REV
A

TYPICAL ILLUSTRATION



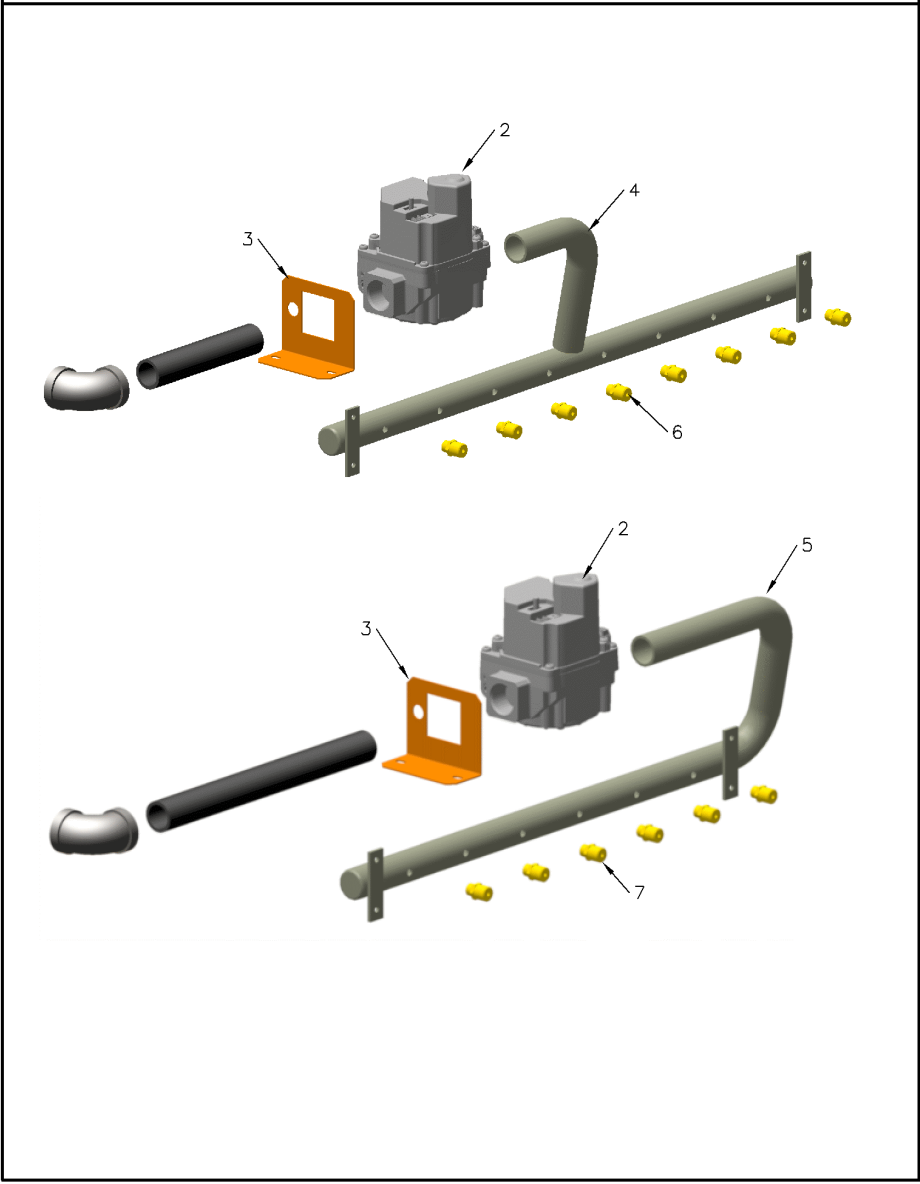
Part No.	Reference No.	Quantity	Description
BNR01070	3	6	BURNER; .70 ID INSHOT BURNER, .036 THK 304 STAINLESS STEEL
IGN00267	5	1	IGNITOR, 53 INCH LEAD
MFD01368	5	1	MANIFOLD; ASSY WITH BRACKET, 6 TUBE
SWT02649	6	1	SWITCH; FLAME ROLLOUT, 240F, OPENS ON TEMP RISE, MANUAL RESET, SPST, 25A/240V QC TERMINAL
ORF01308	7	6	ORIFICE; GAS, .120 DIA, # 31 DRILL, SPUD
SEN00297	7	1	SENSOR; FLAME

GAS BURNER MANIFOLD

75010436

REV
A

TYPICAL ILLUSTRATIONS



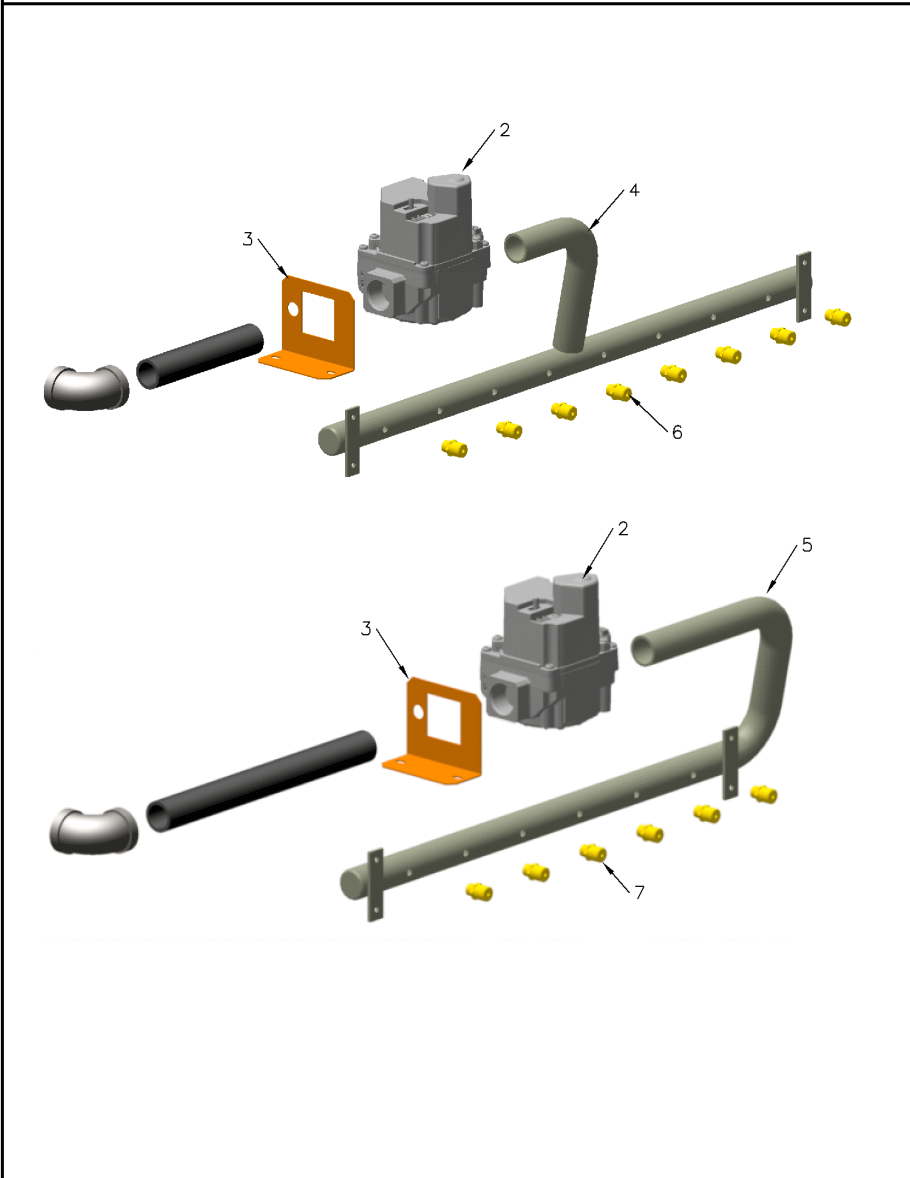
Part No.	Reference No.	Quantity	Description
75010436_GACUP1_105707~P	*		BURNER MANIFOLD PARTS LIST

GAS BURNER MANIFOLD

75010436

REV
A

TYPICAL ILLUSTRATIONS



Part No.	Reference No.	Quantity	Description
VAL08750	2	1	VALVE; GAS, NATURAL, 2 STAGE, 24 VAC, 50/60 HZ, .4 AMP REDUNDANT, INLET OUTLET 3/4 X 3/4-14 NPT, MAX OP PRESSURE .5 PSIG
BRK04442	3	1	BRACKET, GAS VALVE CLAMP

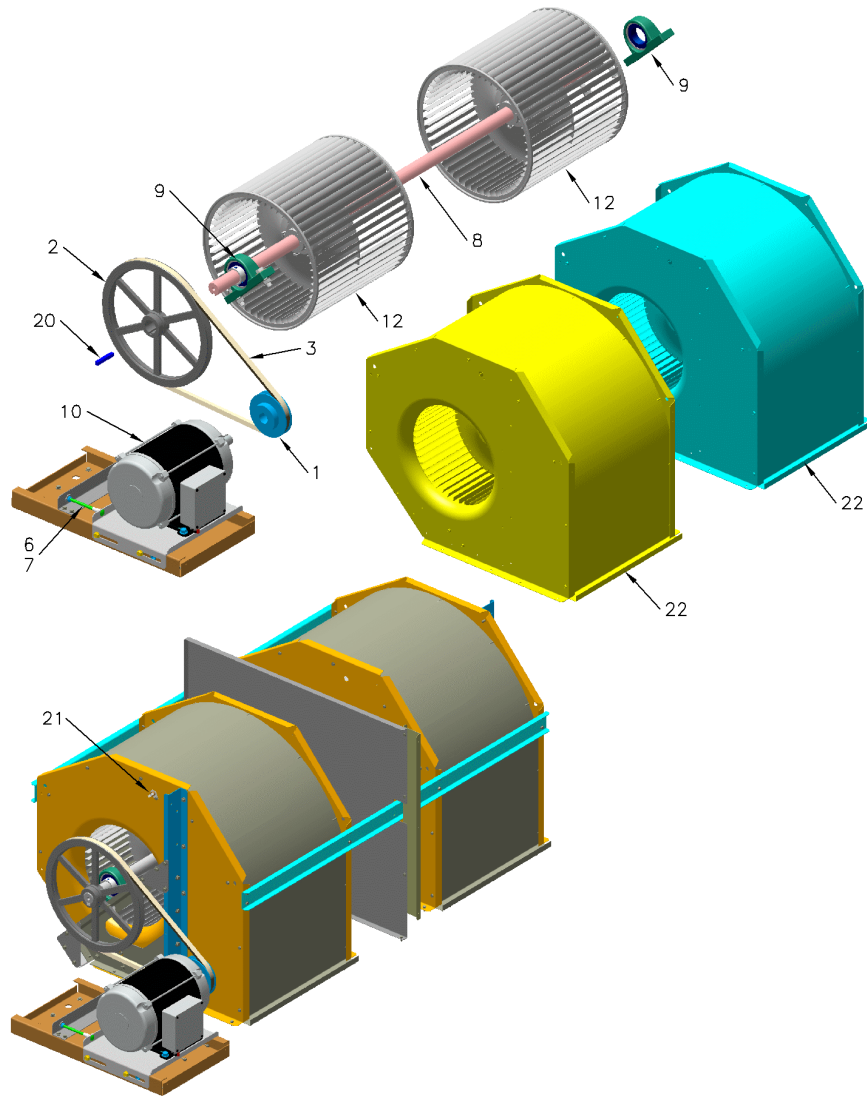
Part No.	Reference No.	Quantity	Description
75010438_GACUP1_132229~P	*		INDOOR FAN ASSEMBLY PARTS LIST

INDOOR FAN ASSEMBLY

75010438

REV
B

TYPICAL ILLUSTRATION



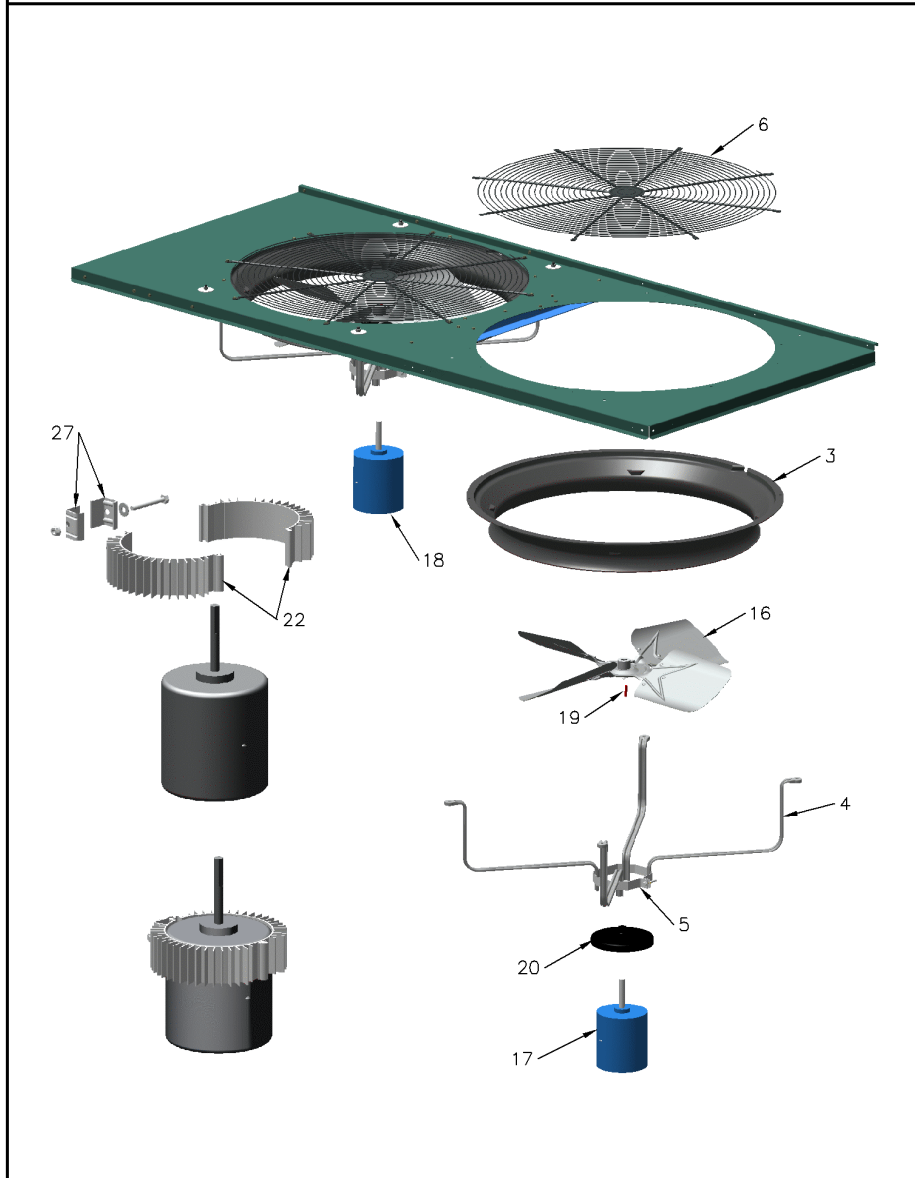
Part No.	Reference No.	Quantity	Description
SHE05939	1	1	SHEAVE; 1VP40, .875 BORE
SHE05423	2	1	SHEAVE; BK140, 1 7/16IN. BORE
B00169	3	1	BELT;V (BX), BX55, 58.0 OUTSIDE LG. X 56.8 PITCH LG.
BLT00989	6	1	BOLT; MOTOR ADJUST, .31-18 X 5.0
NUT00890	7	1	NUT; PALLET, 5/16-18 UNC 2B THD.
SHF03551	8	1	SHAFT; IDF, 1.4375 INCHES DIA., 59.35 INCHES
BRG01940	9	2	BEARING;PILLOW BLOCK, BALL,1.43 BORE
MOT03765	10	1	MOTOR; 5 HP AT 208-230/460/60/3, 3 HP AT 200/380-415/50/3, 56 HZ FRAME, 2 POLE, 3450 RPM (BOTH HP), BALL BEARING, ODP, THERMALLY PROTECTED
FAN05094	12	2	FAN; ID WHEEL, 15X15, 1.4375" BORE
KEY00105	20	1	KEY; 3/8IN.X 3/8IN.X2-1/2IN.
CNT03511	21	1	CONTROL; LIMIT, 120F, AUTOMATIC RESET, SPST, NC, 15A/120VAC, 10A/240VAC, QC TERMINAL
HUS04190	22	2	HOUSING; BLOWER HOUSING ASSEMBLY, WITH FAN WHEEL

OUTDOOR FAN ASSEMBLY

75010439

REV
A

TYPICAL ILLUSTRATION



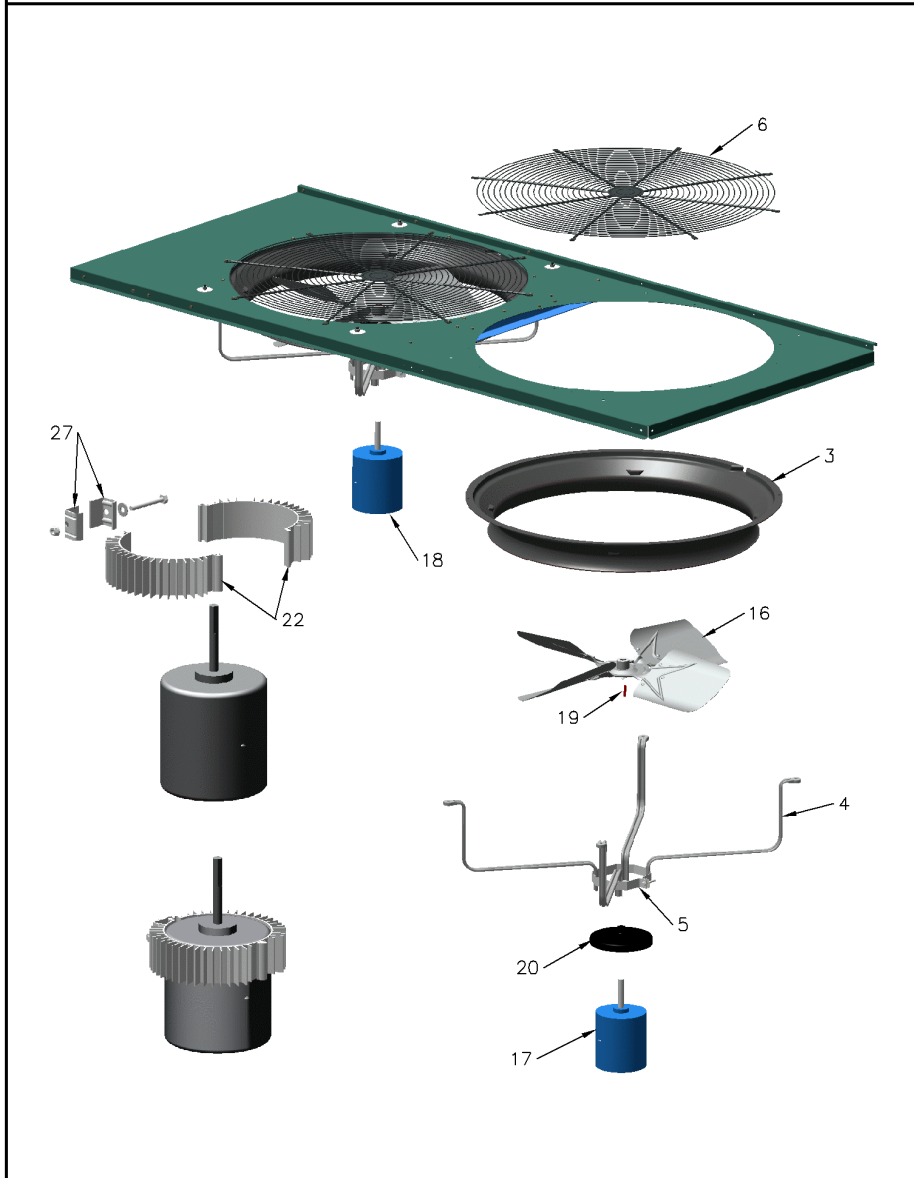
Part No.	Reference No.	Quantity	Description
75010439_GACUP1_120704~P	*		OUTDOOR FAN ASSEMBLY PARTS LIST

OUTDOOR FAN ASSEMBLY

75010439

REV
A

TYPICAL ILLUSTRATION



Parts List Number :GAC1000#GACUP1

Model Number :GAC210A4ELA0000

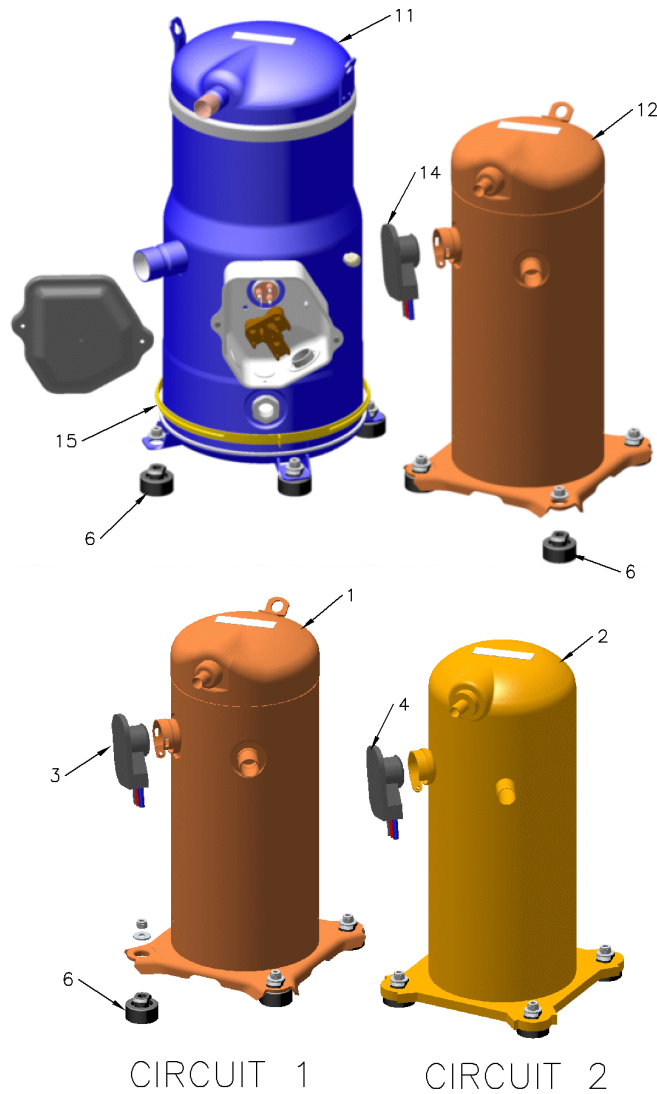
Part No.	Reference No.	Quantity	Description
BRK01646	4	8	BRACKET; MOTOR MOUNT 16.88 LEG
BRK01160	5	2	BRACKET, MOTOR MOUNT
GRL00424	6	2	GRILLE; 26 IN PROP/ORIF
FAN02778	16	2	FAN; 4 BLADE, ALUM, 26 IN DIA, 32 DEGREE PITCH, CW, .625 BORE
MOT16315	17	1	MOTOR; OD FAN, 1 HP, 460V, NUMBER 1
MOT16316	18	1	MOTOR; OD FAN, 1 HP, 460V, NUMBER 2
KEY00820	19	2	KEY; .187 SQ X 1.26 LG, LOW CARBON CD STEEL
SLG00123	20	2	SLINGER; MOTOR COVER, 7.00 DIA X 1.84 DEEP, FOR USE WITH 5/8 INCH MOTOR SHAFT

COMPRESSORS

75010440

REV
A

TYPICAL ILLUSTRATION



COMPRESSORS

Parts List Number :GAC1000#GACUP1

Model Number :GAC210A4ELA0000

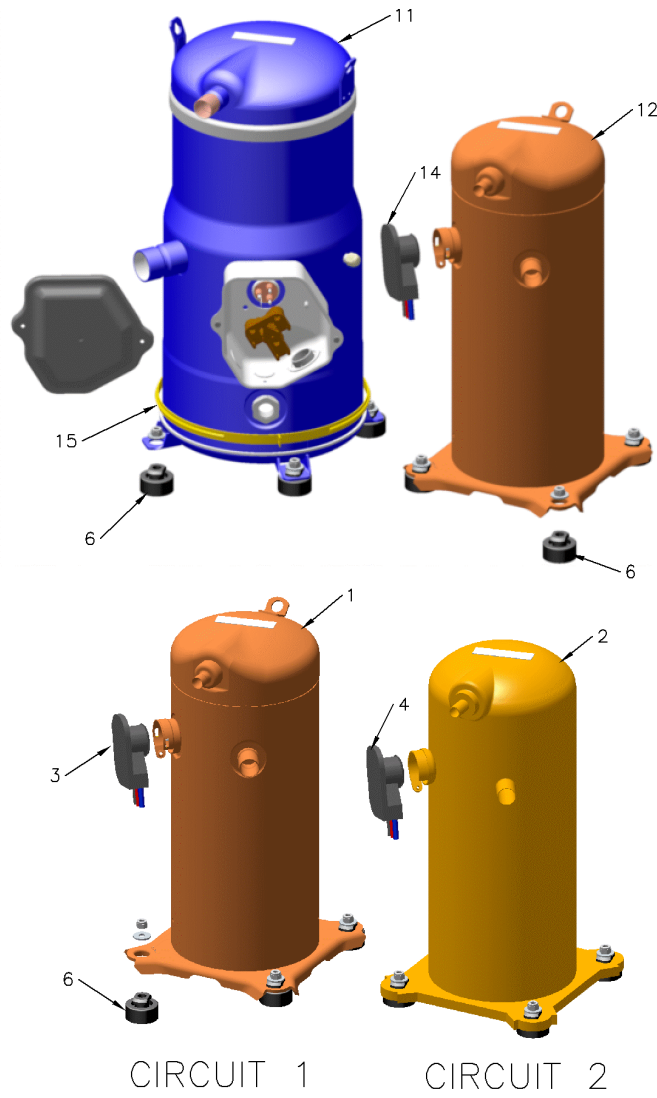
Part No.	Reference No.	Quantity	Description
75010440_GACUP1_133251~P	*		COMPRESSORS PARTS LIST

COMPRESSORS

75010440

REV
A

TYPICAL ILLUSTRATION



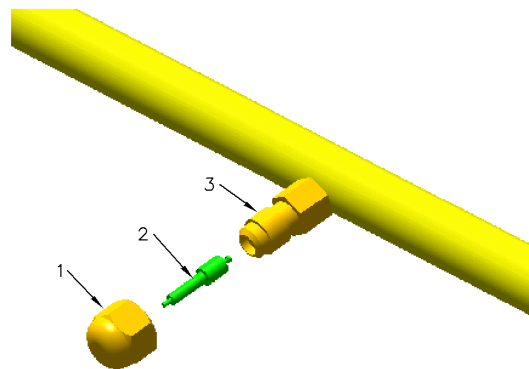
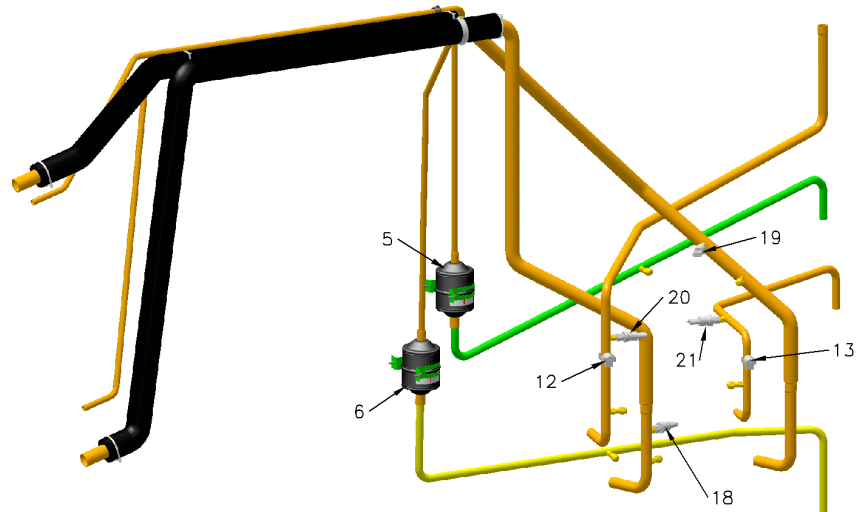
Part No.	Reference No.	Quantity	Description
COM11102	1	1	COMPRESSOR; SSA091A4BPA, 91 MBH, 460-60-3, R-410, SCROLL, BRAZE SWEAT 0.75 SUCTION, 0.675 DISCHARGE, POE W/BZT
COM08847	2	1	COMPRESSOR; SCROLL, SSA083A4BPZ, 6.9 TON, 460/60/3, 380/420/50/3, R410A, .50 ID DISCHARGE, .875 ID SUCTION
PLU01208	3	1	PLUG, SCROLL COMPRESSOR
PLU01209	4	1	PLUG, SCROLL COMPRESSOR
GRM00888	6	8	GROMMET; ISOLATOR, COMPRESSOR, .438 ID X .160 GRV, .750 DIA X 1.625 OD, BLACK NEOPRENE RUBBER

REFRIGERANT TUBING

75010441

REV
A

TYPICAL ILLUSTRATION



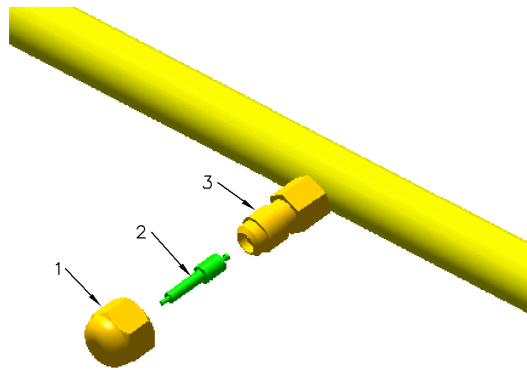
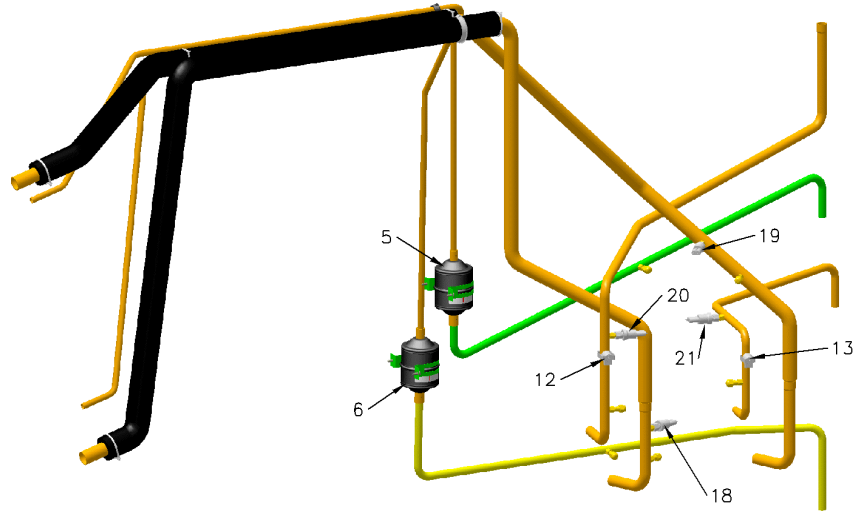
Part No.	Reference No.	Quantity	Description
75010441_GACUP1_115390~P	*		REFRIGERANT TUBING PARTS LIST

REFRIGERANT TUBING

75010441

REV
A

TYPICAL ILLUSTRATION



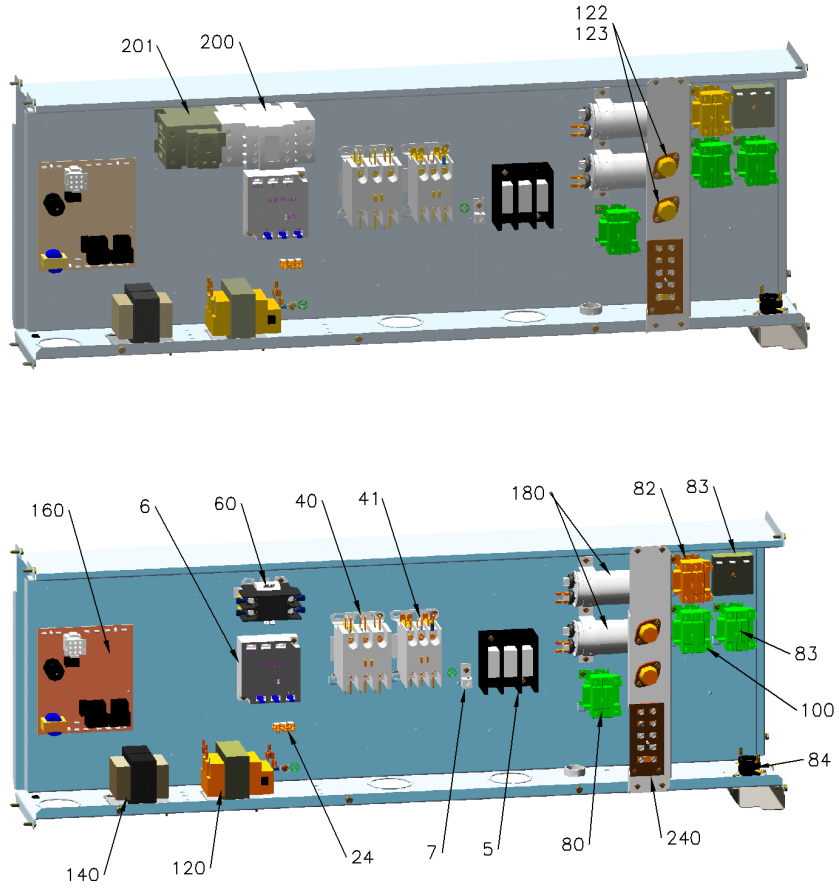
Part No.	Reference No.	Quantity	Description
CAP00072	1	1	CAP; VALVE, SEAL, .25 FFL
COR00006	2	1	CORE; VALVE PORT, .79 LENGTH, .206-36 UNS 2A THD
VAL01483	3	1	VALVE; BODY, .44-20 THD X .25 ODS, STRAIGHT, BRASS, LESS CORE
DHY01470	5	1	DRIER; LIQUID LINE; SERVICE FIRST; 16 CU. IN. DCL165/4S, 5/8 ODF INLET X 1/2 ODF OUTLET; 11.4 TON CAPACITY; APPROVED FOR MINERAL OIL AND POE OIL REF
DHY01470	6	1	DRIER; LIQUID LINE; SERVICE FIRST; 16 CU. IN. DCL165/4S, 5/8 ODF INLET X 1/2 ODF OUTLET; 11.4 TON CAPACITY; APPROVED FOR MINERAL OIL AND POE OIL REF
THT03098	12	1	THERMOSTAT, WITH CLAMP
THT03096	13	1	THERMOSTAT, WITH CLAMP
SWT03781	18	1	SWITCH; LIMIT, LPC, NUMBER 1, YELLOW
SWT03780	19	1	SWITCH; LIMIT, LPC, NUMBER 2, BLUE
SWT03783	20	1	SWITCH; LIMIT, HPC, NUMBER 1, BLACK
SWT03782	21	1	SWITCH; LIMIT, HPC, NUMBER 2, RED

CONTROL PANEL

75010447

REV
A

TYPICAL ILLUSTRATION



CONTROL PANEL

Parts List Number :GAC1000#GACUP1

Model Number :GAC210A4ELA0000

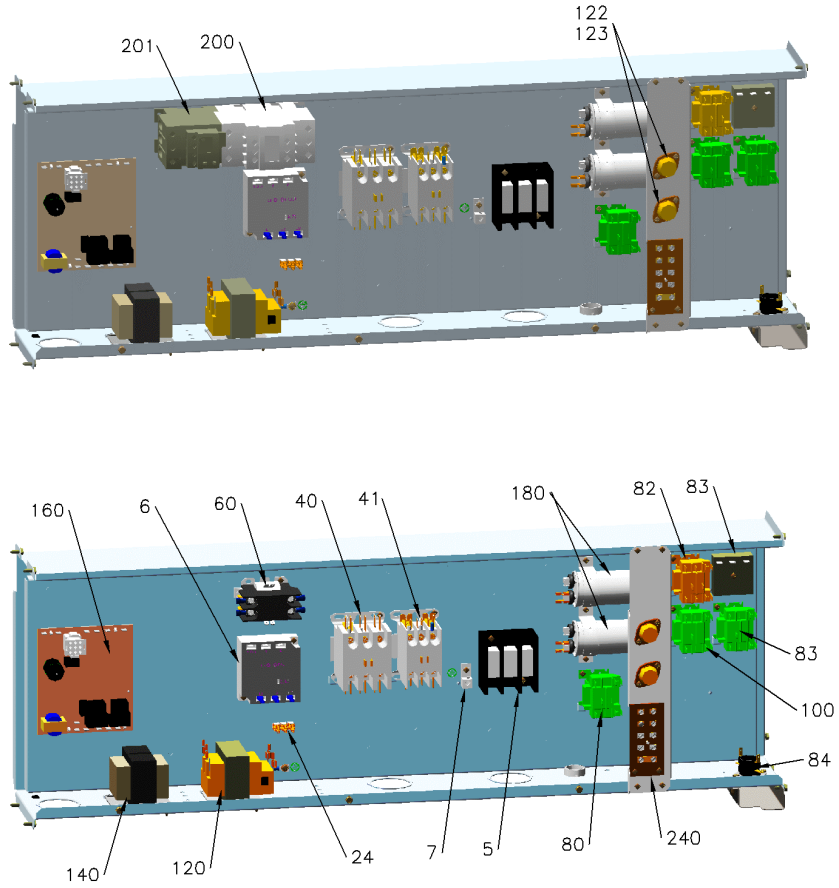
Part No.	Reference No.	Quantity	Description
75010447_GACUP1_133252~P	*		CONTROL PANEL PARTS LIST

CONTROL PANEL

75010447

REV
A

TYPICAL ILLUSTRATION



Part No.	Reference No.	Quantity	Description
PNL30272	4	1	PANEL; STD, CONTROL BOX COVER
BLK00362	5	1	BLOCK; TERMINAL, 3 POLE 175 AMP, 600 VOLT
CNT05176	6	1	CONTROL; MONITOR, 3-PHASE LINE, UNIVERSAL 180-632 VAC, PHASE AND LOSS REVERSAL
CON00077	7	1	CONNECTOR, ELECTRIC GROUND, 14-2 AWG SOLDERLESS
BLK01438	24	1	BLOCK; TERMINAL STRIP, 0.25 IN FASTON
CTR01870	40	1	CONTACTOR; 3 POLE, 30 FLA, W/O LUGS, 50/60 HZ, 24V COIL
CTR01870	41	1	CONTACTOR; 3 POLE, 30 FLA, W/O LUGS, 50/60 HZ, 24V COIL
CTR01203	60	1	CONTACTOR; 2P, 30A, 24V COIL, 30 FLA AT 277V
TRR00826	120	1	TRANSFORMER; 75 VA, 460-575V PRI, 24V SEC
TRR02596	140	1	TRANSFORMER; 150 VA, AUTOTRANS
CNT04717	160	1	CONTROL; IGNITION MODULE, STANDALONE GAS DUAL STAGE
CPT00553	180	2	CAPACITOR, 25 MFD, 440 VOLT, ROUND
TER01594	240	1	TERMINAL; STRIP, LTB, INCLUDES CO2 & ESTOP CONNECTORS