

**For Residential and Commercial Applications**

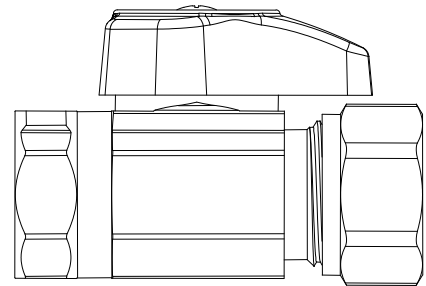
Job Name		Engineer / Architect	
Job Location		Wholesaler	
Submittal Date		Contractor	

## G23305      1/4 Turn Straight Stop – Female Iron Pipe x Slip-Joint

**Use:** For use in potable water distribution systems. Not intended for recirculating systems that produce continuous use temperatures above 115° F. For those applications, use BrassCraft’s KT series ball stop

**Design Features:**

- **One-Piece shut-off mechanism** provides smooth on-off operation without freeze ups even after long periods of non-use
- **Positive 1/4 turn shut-off**
- **Full-flow operation** with no waterway obstructions
- **Corrosion-resistant handle** is plated in an attractive chrome finish
- **Machined one-piece brass body** provides strength, durability and long-lasting performance
- **Easy-to-remove handle** with screw attachment protects accidental operation during rough-ins
- **100% leak tested**
- **Compliant G2 Stops** available for California and Vermont “low-lead” requirements



**Operating Specifications:**

**Temperature:** 40° - 140° F  
**Pressure:** 125 psi maximum

**Standard**

MATERIAL SPECIFICATIONS	
<b>Valve Body</b>	C36000 Brass
<b>Stem Barrel</b>	Santoprene
<b>Stem Shaft</b>	Glass-filled Polypropylene
<b>Stem O-ring</b>	EPDM
<b>Handle</b>	Chrome-plated Zinc Die Cast
<b>Screw</b>	Zinc-plated Steel
<b>Slip Joint Washer</b>	NBR rubber
<b>Slip Joint Nut</b>	C36000 brass, chrome plated
<b>Friction Rings</b>	C27200 brass

**Compliant**

MATERIAL SPECIFICATIONS	
<b>Valve Body</b>	Compliant brass
<b>Stem Barrel</b>	Santoprene
<b>Stem Shaft</b>	Glass-filled Polypropylene
<b>O-ring</b>	EPDM
<b>Handle</b>	Chrome-plated Zinc Die Cast
<b>Screw</b>	Zinc-plated Steel
<b>Slip Joint Washer</b>	NBR rubber
<b>Slip Joint Nut</b>	C36000 brass, chrome plated
<b>Friction Rings</b>	C27200 brass

**Standard Part Listing:**

- G23305 C      1/2" F.I.P. x 7/16" & 1/2" Slip-Joint, chrome plated
- G23305 CD      1/2" F.I.P. x 7/16" & 1/2" Slip-Joint, chrome plated, carded

*This specification and all information contained herein is the confidential and exclusive property of BrassCraft Manufacturing, and shall not be disclosed to others without the written consent of BrassCraft. This specification must be returned to BrassCraft if requested.*



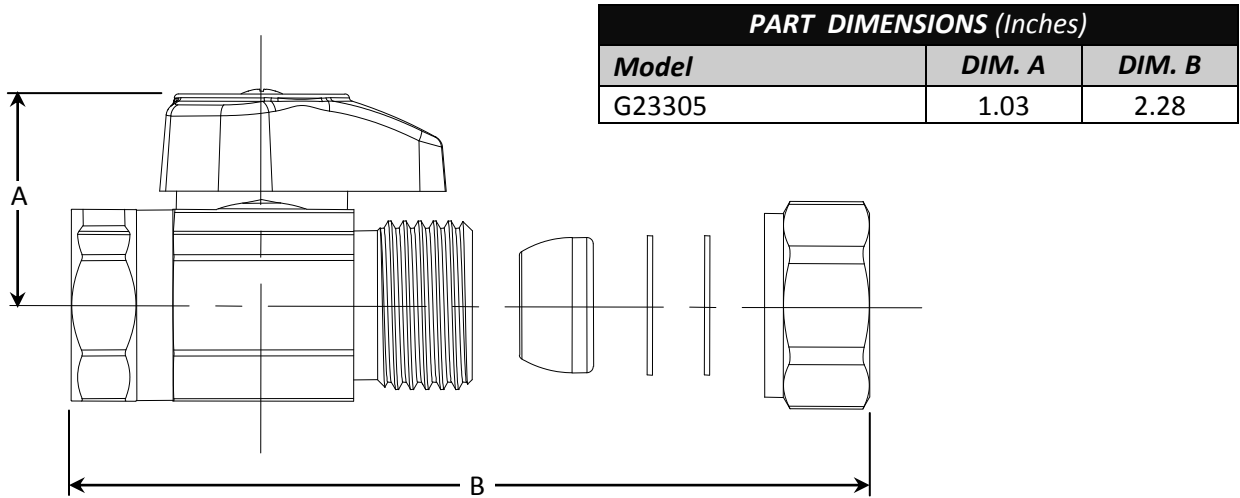
# G23305 1/4 Turn Straight Stop – Female Iron Pipe x Slip-Joint

**Standard Part Listing (con't):**

- G23305 C1 1/2" F.I.P. x 7/16" & 1/2" Slip-Joint, chrome plated, window tray

**Compliant Part Listing:**

- G23305X C 1/2" F.I.P. x 7/16" & 1/2" Slip-Joint, chrome plated
- G23305X CD 1/2" F.I.P. x 7/16" & 1/2" Slip-Joint, chrome plated, carded
- G23305X C1 1/2" F.I.P. x 7/16" & 1/2" Slip-Joint, chrome plated, window tray



**Listings & Certifications:**

- IAPMO listed to ASME A112.18.1-05 / CSA B125.1-05 (File # 0645)
- CSA listed to ASME A112.18.1-05 / CSA B125.1-05 (File # 204593)
- Compliant product CSA approved to California Health & Safety Code 116875 and Vermont Bill S.152 (Project # 2174785)



*This specification and all information contained herein is the confidential and exclusive property of BrassCraft Manufacturing, and shall not be disclosed to others without the written consent of BrassCraft. This specification must be returned to BrassCraft if requested.*

**BrassCraft®**