

For Residential and Commercial Applications

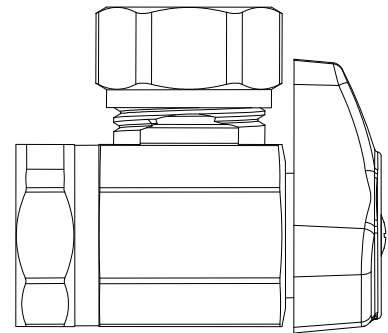
Job Name		Engineer / Architect	
Job Location		Wholesaler	
Submittal Date		Contractor	

G23301 1/4 Turn Angle Stop – Female Iron Pipe x Slip-Joint

Use: For use in potable water distribution systems. Not intended for recirculating systems that produce continuous use temperatures above 115° F. For those applications, use BrassCraft’s KT series ball stop.

Design Features:

- **One-Piece shut-off mechanism** provides smooth on-off operation without freeze ups even after long periods of non-use
- **Positive 1/4 turn shut-off**
- **Full-flow operation** with no waterway obstructions
- **Corrosion-resistant handle** is plated in an attractive chrome finish
- **Machined one-piece brass body** provides strength, durability and long-lasting performance
- **Easy-to-remove handle** with screw attachment protects accidental operation during rough-ins
- **100% leak tested**
- **Compliant G2 Stops** available for California and Vermont “no-lead” requirements



Operating Specifications:

Temperature: 40° - 140° F
Pressure: 125 psi maximum

Standard

MATERIAL SPECIFICATIONS	
Valve Body	C36000 Brass
Stem Barrel	Santoprene
Stem Shaft	Glass-filled Polypropylene
Stem O-ring	EPDM
Handle	Chrome-plated Zinc Die Cast
Screw	Zinc-plated Steel
Slip Joint Washer	NBR rubber
Slip Joint Nut	C36000 brass, chrome plated
Friction Rings	C27200 brass

Compliant

MATERIAL SPECIFICATIONS	
Valve Body	Compliant brass
Stem Barrel	Santoprene
Stem Shaft	Glass-filled Polypropylene
O-ring	EPDM
Handle	Chrome-plated Zinc Die Cast
Screw	Zinc-plated Steel
Slip Joint Washer	NBR rubber
Slip Joint Nut	C36000 brass, chrome plated
Friction Rings	C27200 brass

Standard Part Listing:

- G23301 C 1/2" F.I.P. x 7/16" & 1/2" Slip-Joint, chrome plated
- G23301 CD 1/2" F.I.P. x 7/16" & 1/2" Slip-Joint, chrome plated, carded

This specification and all information contained herein is the confidential and exclusive property of BrassCraft Manufacturing, and shall not be disclosed to others without the written consent of BrassCraft. This specification must be returned to BrassCraft if requested.



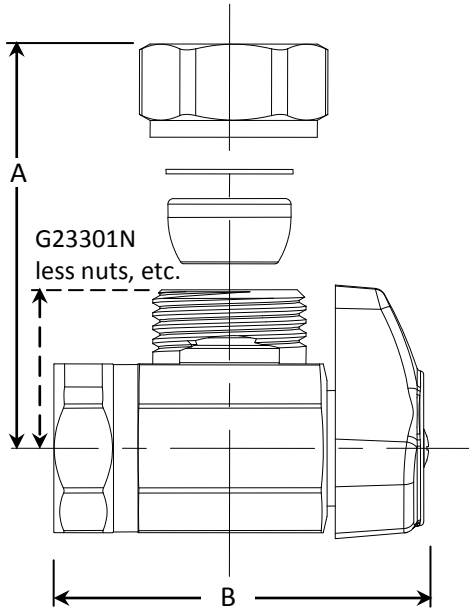
G23301 1/4 Turn Angle Stop – Female Iron Pipe x Slip-Joint

Standard Part Listing (con't):

- G23301 C1 1/2" F.I.P. x 7/16" & 1/2" Slip-Joint, chrome plated, window box
- G23301N C 1/2" F.I.P. x 7/16" & 1/2" Slip-Joint, less nuts, washer & rings, chrome plated

Compliant Part Listing:

- G23301X C 1/2" F.I.P. x 7/16" & 1/2" Slip-Joint, chrome plated
- G23301X CD 1/2" F.I.P. x 7/16" & 1/2" Slip-Joint, chrome plated, carded
- G23301X C1 1/2" F.I.P. x 7/16" & 1/2" Slip-Joint, chrome plated, window box



PART DIMENSIONS (Inches)		
Model	DIM. A	DIM. B
G23301	1.14	1.95
G23301N	.85	1.95

Listings & Certifications:

- IAPMO listed to ASME A112.18.1-05 / CSA B125.1-05 (File # 0645)
- CSA listed to ASME A112.18.1-05 / CSA B125.1-05 (File # 204593)
- Compliant product CSA approved to AB1953 (Project # 2174785)



This specification and all information contained herein is the confidential and exclusive property of BrassCraft Manufacturing, and shall not be disclosed to others without the written consent of BrassCraft. This specification must be returned to BrassCraft if requested.

BrassCraft[®]