

Replacement Parts

November, 2004
Supersedes Issue of
May, 2002

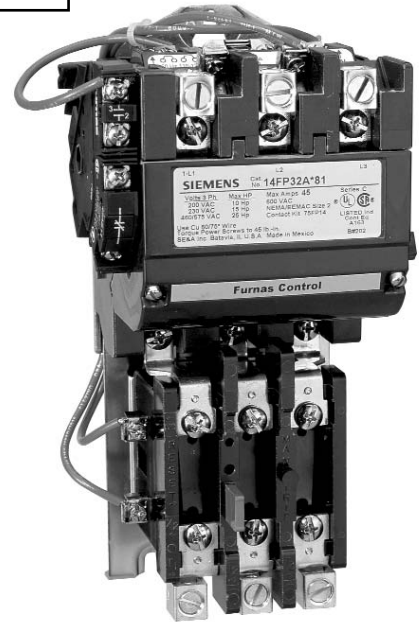
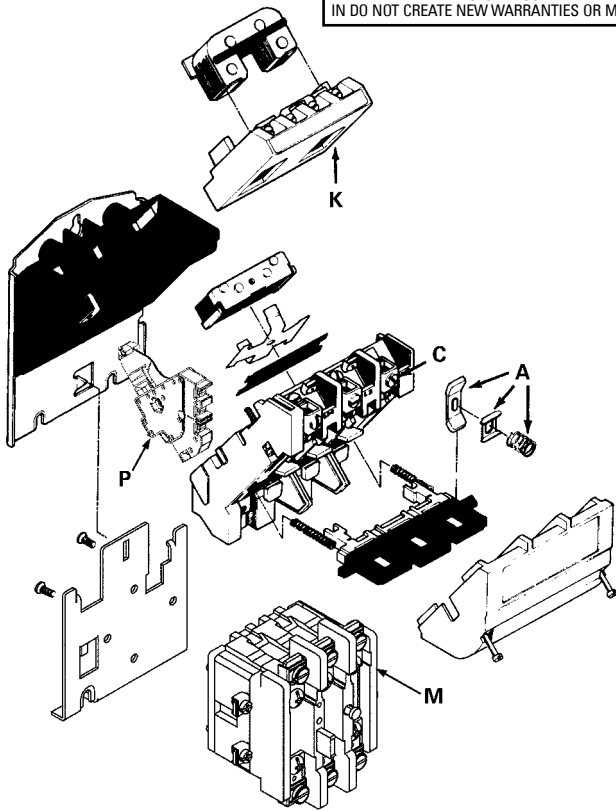
IMPORTANT


THESE INSTRUCTIONS DO NOT PURPORT TO COVER ALL DETAILS OR VARIATIONS IN EQUIPMENT, NOR TO PROVIDE FOR EVERY POSSIBLE CONTINGENCY TO BE MET IN CONNECTION WITH INSTALLATION, OPERATION OR MAINTENANCE. SHOULD FURTHER INFORMATION BE DESIRED OR SHOULD PARTICULAR PROBLEMS ARISE WHICH ARE NOT COVERED SUFFICIENTLY FOR THE PURCHASER'S PURPOSES, THE MATTER SHOULD BE REFERRED TO THE LOCAL SIEMENS SALES OFFICE.

THE CONTENTS OF THIS INSTRUCTION MANUAL SHALL NOT BECOME PART OF OR MODIFY ANY PRIOR OR EXISTING AGREEMENT, COMMITMENT OR RELATIONSHIP. THE SALES CONTRACT CONTAINS THE ENTIRE OBLIGATION OF SIEMENS. THE WARRANTY CONTAINED IN THE CONTRACT BETWEEN THE PARTIES IS THE SOLE WARRANTY OF SIEMENS. ANY STATEMENTS CONTAINED HEREIN DO NOT CREATE NEW WARRANTIES OR MODIFY THE EXISTING WARRANTY.

14-GFP

Starters & Contactors
Size 2 & 2½
Class 14 & 40
14FP, 14GP, 40FP, 40GP





WARNING

Hazardous voltage.
Can cause death or serious injury.

Disconnect main power and control voltages before installation or maintenance on this equipment.

Item	Part Description	Part Number	
A	Contacts & Spring, One Complete Pole		
	Power Pole (includes spring retainer)	Size 2 75FP14 Size 2½ 75GP14	
C	Lug - Line Side or Load Side (starters require 3) (contactors require 6)		
	Aluminum	Size 2½ 49SAAF	
K	Coil		
	60 Hertz	50 Hertz	
	120v	110v	75D73070F
	110-120v/220-240v	110v/190-220v	75D73070A
	220-240v/440-480v	190-220v/380-440v	75D73070C
	550-600v	550v	75D73070E

For other voltages specify the number stamped on the coil.

Item	Part Description	Part Number
M	Thermal Overload Relays (includes baseplate)	
	Ambient Compensated Bimetal	
	Size 2 & 2½	
	1 Pole	48GC18AA3
	3 Pole	48GC38AA3
P	Auxiliary Contact	
	NO & NC	49AB11
	NO	49AB10
	NC	49AB01

NOTE: When ordering replacement parts, give catalog number of control, and part name and number.

(For Engineering Reference Only - Rev. E)