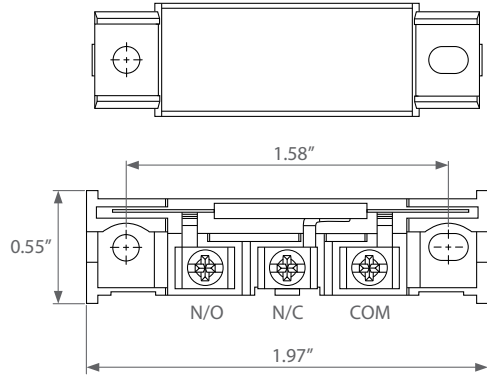


MAGNETIC SWITCH FOR CLOSET LIGHT CONTROLLERS

ACLCMAGSM

Surface Mount Magnetic Switch, Form C (SPDT)



MAGNET
(shown without cover)



SWITCH
(shown without cover)



REMOVABLE TAB FOR WIRING
(shown with covers)

SPECIFICATIONS

Switching Voltage (Max): 30 Vac/dc
Switching Current (Max): 0.2 Amp
Operating Gap: 0 - 1.125" (Dimension X)

Terminal Normal State	Door Closed	Door Open
Common	COM	COM
N/O	N/O	N/O
N/C	N/C	N/C

The table includes circuit diagrams for the 'Door Closed' and 'Door Open' states. In the 'Door Closed' state, the COM terminal is connected to the N/O terminal. In the 'Door Open' state, the COM terminal is connected to the N/C terminal.