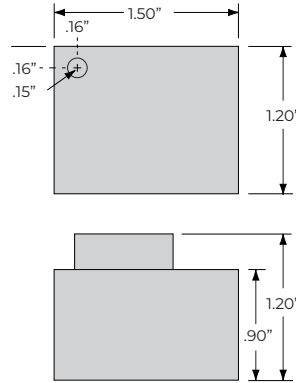
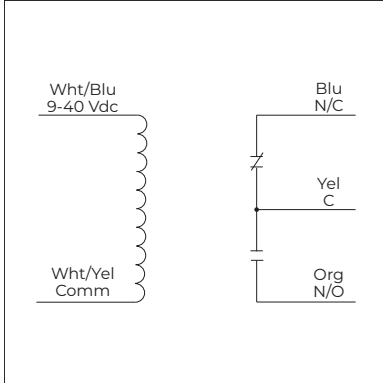


**10 AMP CONTROL RELAY**

**RAMLIC-DC**

Relay 10 Amp SPDT, 9-40 Vdc



**SPECIFICATIONS**

<b># Relays &amp; Contact Type</b>	One (1) SPDT Continuous Duty Coil
<b>Expected Relay Life</b>	10 million cycles minimum mechanical
<b>Operating Temperature</b>	-30 to 104° F
<b>Humidity Range</b>	5 to 95% (noncondensing)
<b>Operate Time</b>	20ms
<b>Relay Status</b>	LED On = Activated
<b>Dimensions</b>	1.5"H x 1.2"W x 1.2"D
<b>Origin</b>	Made of US and non-US parts
<b>Wires</b>	12", 600V Rated
<b>Approvals</b>	UL Listed, UL916, C-UL Canada, CE, RoHS
<b>Gold Flash</b>	Yes
<b>Override Switch</b>	No

<b>Contact Ratings</b>	10 Amp Resistive @ 120/240/277 Vac 10 Amp Resistive @ 28 Vdc 480 VA Pilot Duty @ 240/277 Vac 240 VA Pilot Duty @ 120 Vac 600 W Tungsten @ 120 Vac (N/O) 240 W Tungsten @ 120 Vac (N/C) 480 VA Ballast @ 277 Vac 1/3 HP 1-Ph @ 120/240 Vac (N/O) 1/6 HP 1-Ph @ 120/240 Vac (N/C) 1/4 HP @ 277 Vac (N/O) 1/8 HP @ 277 Vac (N/C)
<b>Coil Current</b>	20 mA @ 9-40 Vdc
<b>Coil Voltage Input</b>	9-40 Vdc ; 50-60 Hz Drop Out = 2 Vdc Pull In = 9 Vdc