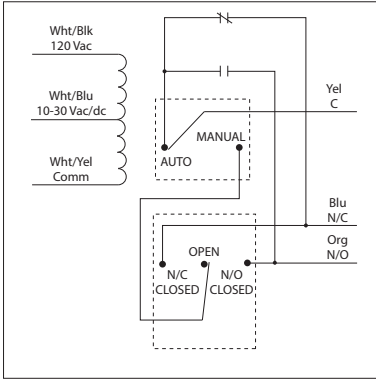


10 AMP PILOT CONTROL RELAYS

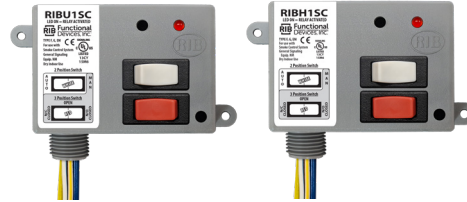
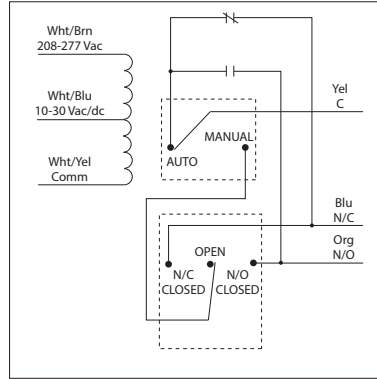
RIBU1SC

Pilot Relay, 10 Amp SPDT + Override,
 10-30 Vac/dc/120 Vac Coil, NEMA 1 Housing



RIBH1SC

Pilot Relay, 10 Amp SPDT + Override,
 10-30 Vac/dc/208-277 Vac Coil, NEMA 1 Housing



SPECIFICATIONS

Relays & Contact Type: One (1) SPDT Continuous Duty Coil
Expected Relay Life: 10 million cycles minimum mechanical

Operating Temperature: -30 to 140° F

Humidity Range: 5 to 95% (noncondensing)

Operate Time: 20ms

Relay Status: LED On = Activated

Dimensions: 2.39"H x 3.31"W x 1.81"D with 0.50" NPT nipple

Housing Detail: See **Housing B** in housing guide for dimensions

Origin: Made of US and non-US parts

Wires: 16", 600V Rated

Approvals: UL Listed, UL916, C-UL, CE, RoHS

Housing Rating: UL Accepted for Use in Plenum, NEMA 1

Gold Flash: Yes

Override Switch: Yes (2)

Contact Ratings:

10 Amp Resistive @ 277 Vac

480 VA Pilot Duty @ 277 Vac

480 VA Ballast @ 277 Vac

Not rated for Electronic Ballast

600 Watt Tungsten @ 120 Vac (N/O)

240 Watt Tungsten @ 120 Vac (N/C)

1/3 HP @ 120-240 Vac (N/O)

1/6 HP @ 120-240 Vac (N/C)

1/4 HP @ 277 Vac (N/O)

1/8 HP @ 277 Vac (N/C)

Coil Current:

33 mA @ 10 Vac

35 mA @ 12 Vac

46 mA @ 24 Vac

55 mA @ 30 Vac

28 mA @ 120 Vac (RIBU1SC)

39 mA @ 208-277 Vac (RIBH1SC)

13 mA @ 10 Vdc

15 mA @ 12 Vdc

18 mA @ 24 Vdc

20 mA @ 30 Vdc

Coil Voltage Input:

10-30 Vac/dc; 120 Vac; 50-60 Hz (RIBU1SC)

10-30 Vac/dc; 208-277 Vac; 50-60 Hz (RIBH1SC)

Drop Out = 2.1 Vac / 2.8 Vdc

Pull In = 9 Vac / 10 Vdc