

PURCHASER	P.O. #	DATE
PROJECT	LOCATION	
ENGINEER	ARCHITECT	
SUBMITTED BY	FOR APPROVAL	FOR REFERENCE

ITEM	PLAN DESIGNATION	QUANTITY	COOLING BTU/H	VOLTAGE	FRIEDRICH MODEL

115 volt

MM09YJ

9000 Btu cooling
9800 Btu heating

MM12YJ

11800 Btu cooling
13000 Btu heating



Comfort & Convenience

- Inverter technology is more energy efficient and can self-adjust capacity to match cooling needs
- Multiple operating modes including: AUTO, COOL, DRY (dehumidification), FAN ONLY and HEAT
- TURBO mode operates the unit at maximum performance to quickly bring the room to set temperature
- 4 fan speeds heating or cooling: HIGH, MEDIUM, LOW, "QUIET", plus AUTO-FAN
- Continuous 'Air Sweep' UP & DOWN
- LCD remote
- 24-hour timer and sleep timer
- Indoor unit will briefly display set or room temperature, then display turns off
- Auto-restart after power interruptions
- Auto-shut flaps close when unit is off for a sleek appearance
- Washable, long-life, antimicrobial air filters
- 230 volt models provide cooling in outdoor temperatures down to 5° F
- Optional remote for cool only operation - Part No. DFACC

230/208 volt

MM18YJ

18000 Btu cooling
23000 Btu heating

MM24YJ

22000 Btu cooling
26600 Btu heating

Coming in 2016

MM36YJ

33600 Btu cooling
34600 Btu heating



SPECIFICATIONS

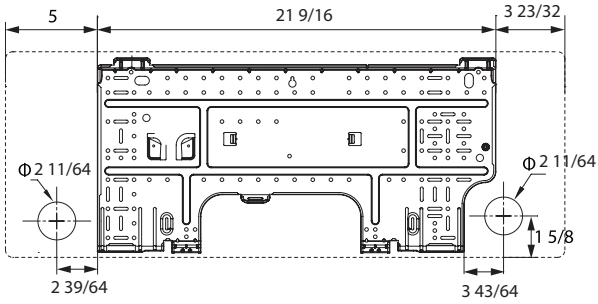
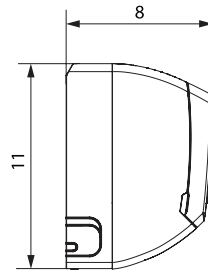
PERFORMANCE RATINGS		115 volt models		230/208 models		
SYSTEM MODEL NO.		MM09YJ	MM12YJ	MM18YJ	MM24YJ	MM36YJ
INDOOR MODEL		MWM09Y1J	MWM12Y1J	MWM18Y3J	MWM24Y3J	MWM36Y3J
OUTDOOR MODEL		MRM09Y1J	MRM12Y1J	MRM18Y3J	MRM24Y3J	MRM36Y3J
CAPACITY COOLING (RATED)	Btu	9000	11800	18000	22000	33600
CAPACITY COOLING MIN - MAX	Btu	3500~11000	3300~12500	4500~21000	6400~24000	7404~35997
COOLING AMPS		9.00	15.00	7.85/7.10	11.50/10.50	17.0/17.0
HEATING AMPS		9.50	15.5	10.60/11.80	12.80/13.00	16.5/16.5
SENSIBLE HEAT RATIO		0.79	0.73	0.77	0.77	0.75
CAPACITY HEATING (RATED) @ 47°F	Btu	9800	13000	23000	26600	34600
CAPACITY HEATING MIN - MAX	Btu	2500~11000	3400~13500	4000~23000	4100~26600	14979~35997
CAPACITY HEATING (RATED) @ 17°F	Btu	5400	8500	12000	18600	—
HSPF		8.6	8.6	8.5	8.5	9.0
SEER		16.0	16.0	16.0	16.0	18.0
EER		12.00	9.40	11.11	10.00	8.20
ENERGY STAR		Y	N	N	N	N
MOISTURE REMOVAL	Pts/h	1.69	2.96	3.80	4.50	7.40
AIRFLOW (HIGH/MED/LOW/QUIET)	CFM	330/277/224/188	341/288/235/200	471/400/330/271	588/441/306/206	736/647/530/412
SOUND RATING - INDOOR (HIGH/MED/LOW/QUIET)	dB-A	41/37/35/32	43/39/35/32	48/43/38/34	49/43/39/34	54/49/44/37
SOUND RATING - OUTDOOR	dB-A	53	55	56	53	65
OPERATING RANGE (HEATING)	°F	5-75	5-75	5-75	5-75	-4-75
OPERATING RANGE (COOLING)	°F	32*-113	32*-113	5-118	5-115	0-109
EST. YEARLY OPERATING COST	U.S. \$	67	113	146	198	—
ELECTRICAL DATA						
POWER SOURCE	V/Hz/Phase	115/60/1	115/60/1	208/230/60/1	208/230/60/1	208/230/60/2
MIN. AMPACITY	A	13	15	15	16	24
COOLING WATTS	W	750	1260	1620	2200	4100
HEATING WATTS	W	830	1320	2400	2800	3800
MAX. TD FUSE/BREAKER	A	20	25	25	25	40
REFRIGERATION SYSTEM						
REFRIGERANT		R410A	R410A	R410A	R410A	R410A
COMPRESSOR TYPE		Inverter	Inverter	Inverter	Inverter	Inverter
CONNECTIONS		Flare	Flare	Flare	Flare	Flare
LIQUID LINE O.D.	in	1/4"	1/4"	1/4"	1/4"	1/4"
SUCTION LINE O.D.	in	3/8"	3/8"	1/2"	1/2"	5/8"
REFRIGERANT CHARGE	oz.	35.3	35.3	45.8	54.7	91.7
FACTORY PRECHARGE	ft	24.6	24.6	24.6	24.6	24.6
MIN. / MAX. LINE LENGTH	ft	7 / 65	7 / 65	10 / 82	10 / 82	98
MAX. HEIGHT DIFFERENCE	ft	32	32	32	32	32
DIMENSIONS & WEIGHT						
INDOOR UNIT						
W x H x D	in	30" x 11" x 8"		34" x 12" x 8"	39 11/16" x 12 3/8" x 8"	53" x 13" x 10"
NET WEIGHT	lbs	19	19	26	33	42
SHIPPING WEIGHT	lbs	25	25	35	44	52
OUTDOOR UNIT						
W x H x D	in	33 3/8" x 24 1/4" x 12 5/8"		37 5/8" x 27 5/8" x 15 5/8"		38 1/4" x 31" x 17"
NET WEIGHT	lbs	68	68	106	115	161
SHIPPING WEIGHT	lbs	77	77	117	126	172
TOTAL NET WEIGHT	lbs	87	87	132	148	203
TOTAL SHIPPING WEIGHT	lbs	102	102	152	170	224

*Capacity is reduced as 32 degrees Fahrenheit is approached.

Due to continuing research in new energy-saving technology, specifications are subject to change without notice.

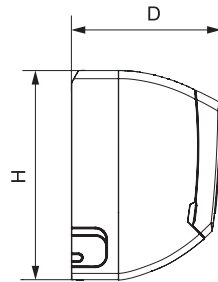
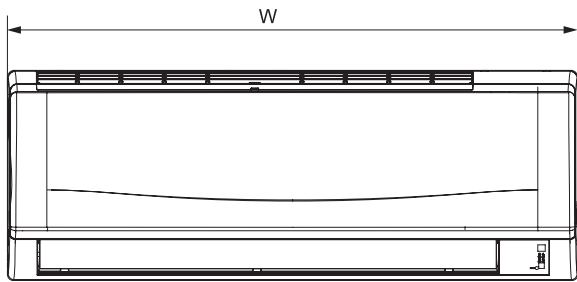


DIMENSIONAL DRAWINGS
INDOOR UNITS / MWM09Y1J, MWM12Y1J

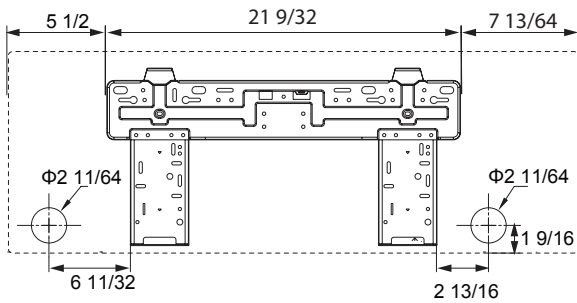


Model	W	H	D
MWM09Y1J	30	11	8
MWM12Y1J			

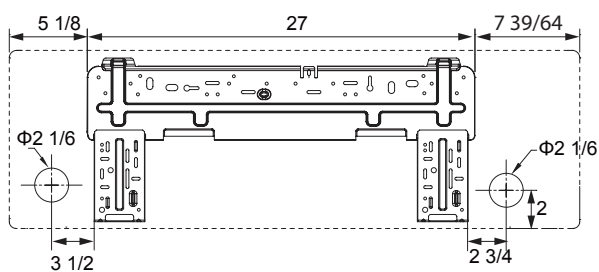
INDOOR UNITS / MWM18Y3J, MWM24Y3J



MWM18Y3J

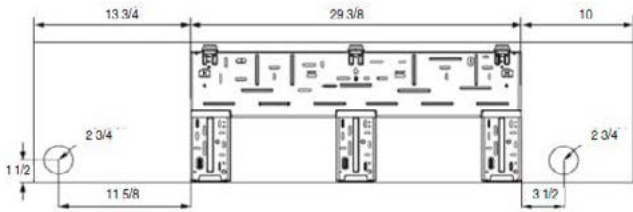
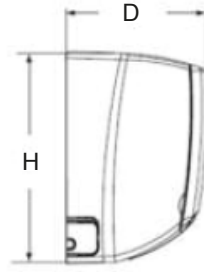
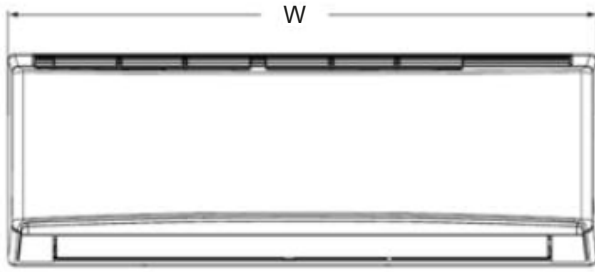


MWM24Y3J



Model	W	H	D
MWM18Y3J	34	12	8
MWM24Y3J	39 11/16	12 3/8	8

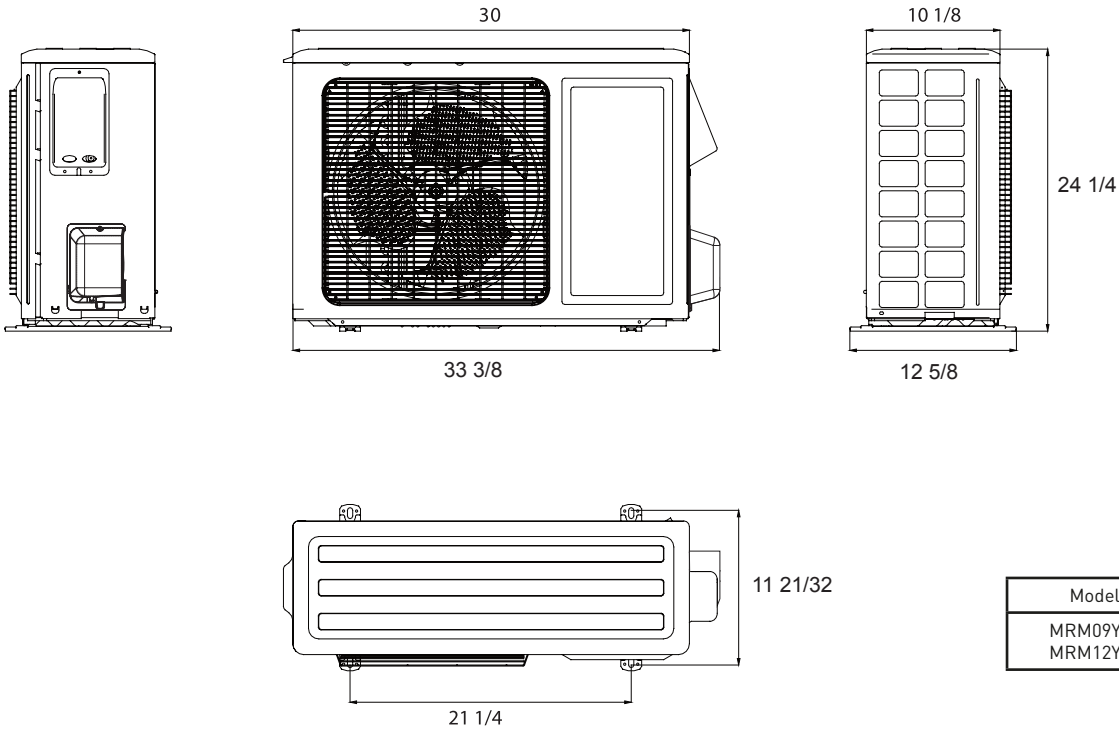
DIMENSIONAL DRAWINGS
INDOOR UNIT / MWM36Y3J



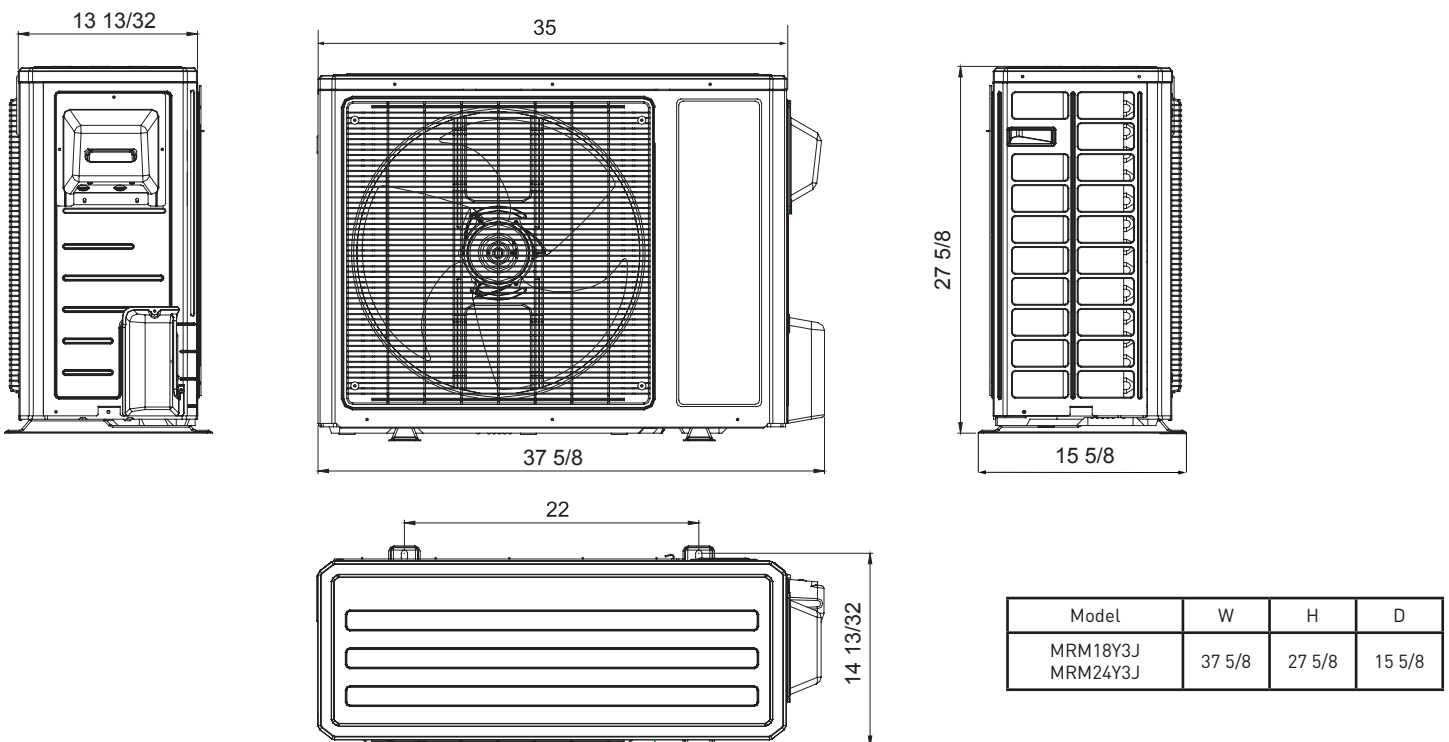
Model	W	H	D
MWM36Y3J	53	10	13

DIMENSIONAL DRAWINGS

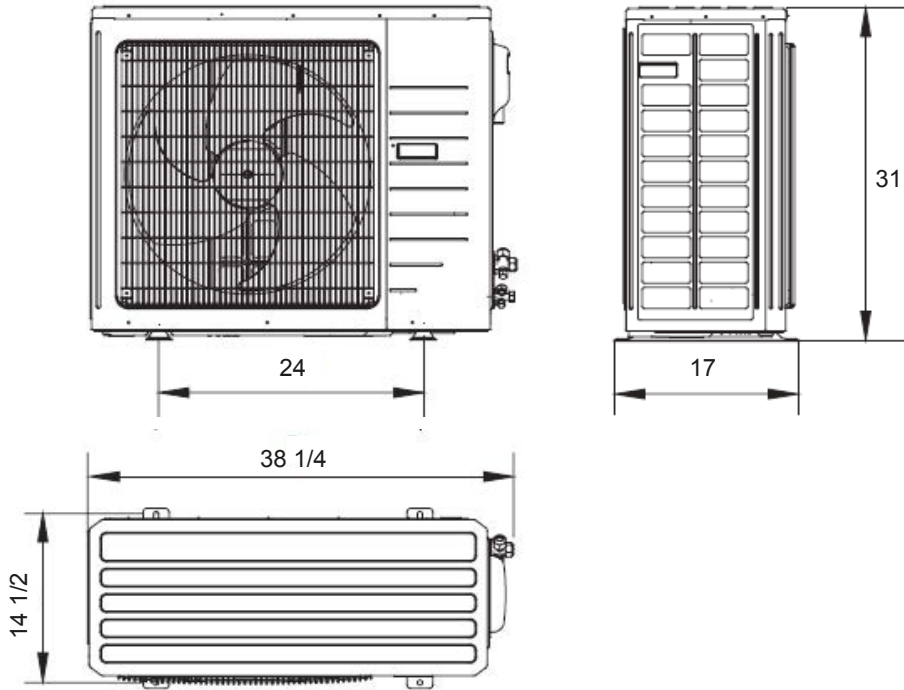
OUTDOOR UNITS / MRM09Y1J, MRM12Y1J



OUTDOOR UNITS / MRM18Y3J, MRM24Y3J



DIMENSIONAL DRAWINGS
OUTDOOR UNIT / MRM36Y3J



Model	W	H	D
MRM36Y3J	38 1/4	31	17