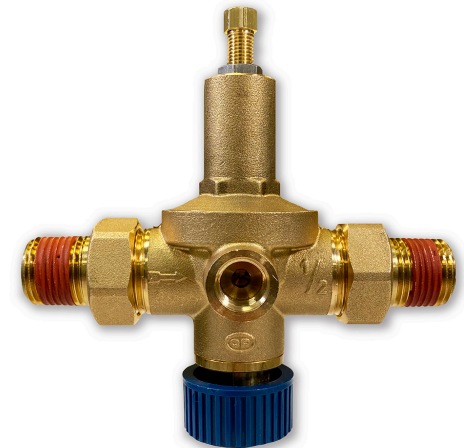
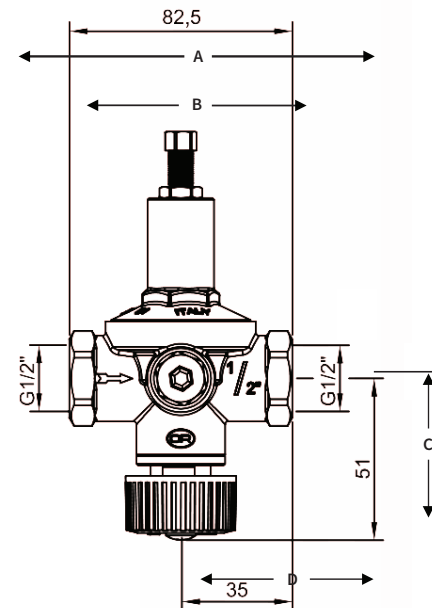




The Flamco Autofill boiler feed valve is designed to fill the boiler and maintain the desired water pressure in the system at all times. The autofill valve includes a stainless steel filter to help prevent system debris buildup inside the body, a pressure gauge to confirm accuracy, and a shutoff valve to prevent automatic filling in the event of a system leak.

- Maximum working pressure: 145 psi
- Allowable setting range: 7 – 58 psi
- Maximum working temperature: 230°F
- Glycol: Up to 50%
- Connections: ½" MNPT
- O-Ring Washers: EPDM Rubber
- Filter: Stainless Steel

Model	Dimensions (in)				Part Number
	A	B	C	D	
Autofill ½" FNPT	4.94	2.77	2	2.48	AF-050M



No part of this publication may be reproduced or published in any way without explicit permission and mention of the source. The data listed is solely applicable to Flamco products. Flamco shall accept no liability whatsoever for incorrect use, application, or interpretation of the technical information. Flamco reserves the right to make technical alterations.

Installation

The Flamco autofill valve must be fitted with the directional arrow in the appropriate position on the supply line to the boiler.

If your local codes require the use of a backflow preventer, it must be installed upstream of the autofill valve.

The Flamco autofill is preset to 21.75 psi

- To adjust the pressure setting, turn the screw “C” counterclockwise to loosen
- To reduce the pressure, turn screw “B” counterclockwise until the pressure gauge reflects desired PSI
- To increase the pressure, turn screw “B” clockwise
- After resetting the pressure, tighten “C”.
- Check the filter annually by loosening “D” and inspecting for debris. Reinstall and tighten “D” after inspection.
- To disable autofill option after install, close “A” completely.

