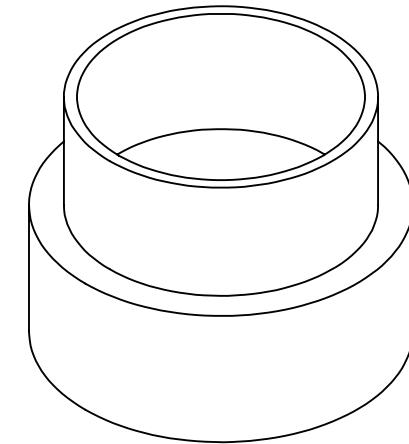
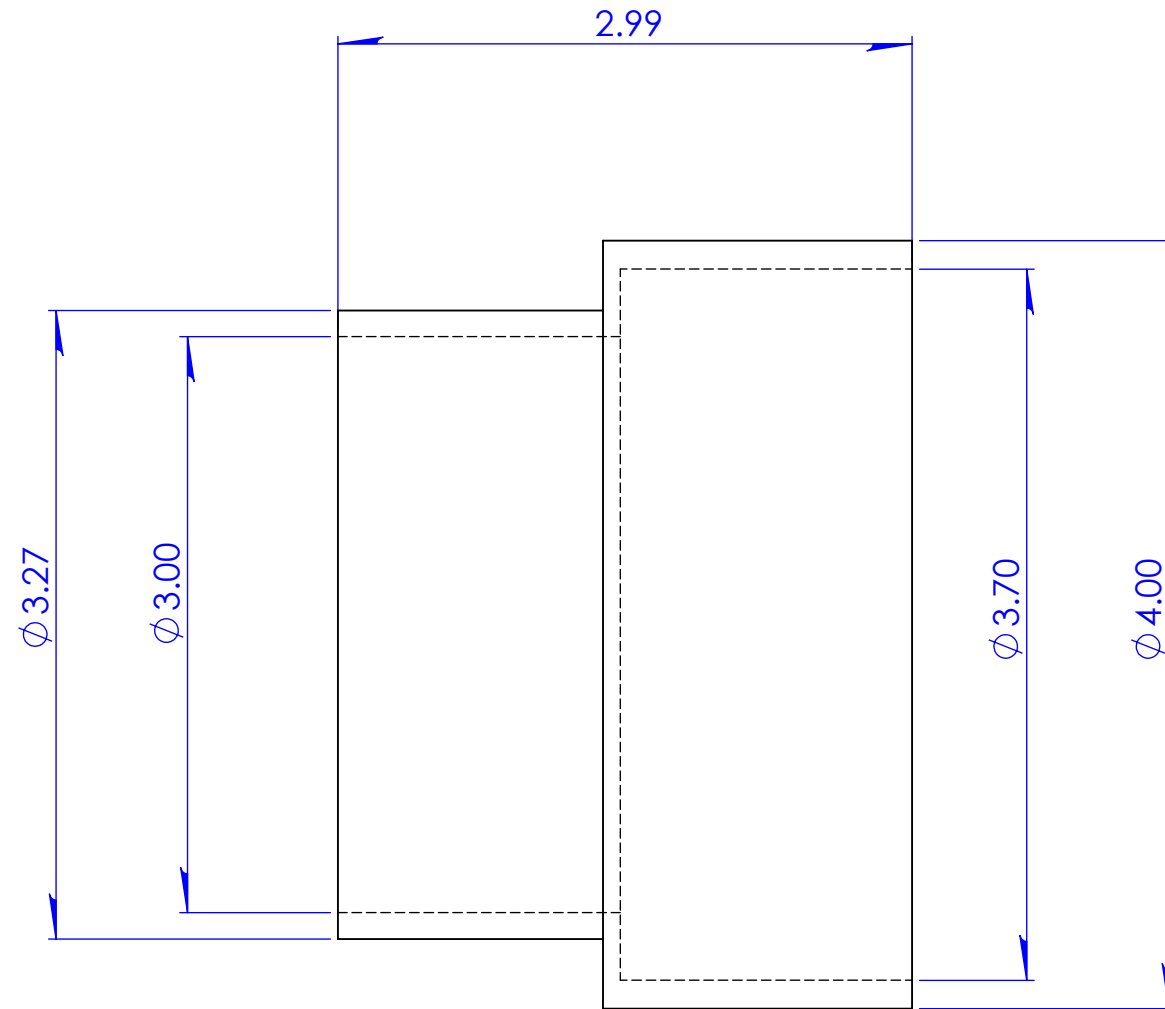




300 S. DAYTON ST.
 DAVISON, MI 48423
 PH: 810-653-9626
 FAX: 810-654-2616

DSC-43

DESCRIPTION: Downspout Connector 4" Drain x 3" Round or 3"x2" Rectangle or 2.50" Square



PROPRIETARY AND CONFIDENTIAL
 THE INFORMATION CONTAINED IN THIS
 DRAWING IS THE SOLE PROPERTY OF
 FERNICO, INC. ANY REPRODUCTION IN
 PART OR AS A WHOLE WITHOUT THE
 WRITTEN PERMISSION OF FERNICO, INC.
 IS PROHIBITED.

TOLERANCES:
 .X= Fractional \pm
 .XX= $\pm .06$
 ANG.= $\pm 3^\circ$
 UNLESS OTHERWISE SPECIFIED

Part Weight	0.26 lbs.	Installation Torque	
Min/Max Temp.	-30/140 Degrees F	Conforms to ASTM	
Pressure Tested	4.3 PSI	Clamps used	
Material	Flexible PVC 60 Duro Shore A	Box Quantity	

UNITS:	SIZE:
INCHES	A
3RD ANGLE PROJECTION	
DO NOT SCALE DRAWING	

DESIGNER:	DATE:
D. Brady	8/26/2011
CHECKER:	

SCALE:
not to scale
SHEET 1 OF 1