

# PRODUCT INFORMATION PACKET

**FASCO**<sup>®</sup>

Model No:  
Catalog No: D1160  
71639322 1/100 HP MOTOR  
OEM Replacement



Regal and Fasco are trademarks of Regal Beloit Corporation or one of its affiliated companies.  
©2019 Regal Beloit Corporation, All Rights Reserved. MC017097E

**REGAL**<sup>®</sup>



### Nameplate Specifications

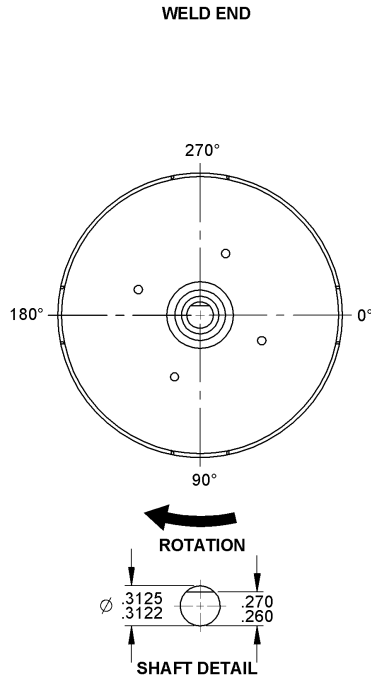
Output HP	<b>1/100 HP</b>	Output KW	<b>0.01 kW</b>
Frequency	<b>60 Hz</b>	Voltage	<b>115 V</b>
Current	<b>0.60 A</b>	Speed	<b>1550 RPM</b>
Service Factor	<b>1</b>	Phase	<b>1</b>
Duty	<b>Air Over</b>	Insulation Class	<b>B</b>
Frame	<b>3.3</b>	Enclosure	<b>Totally Enclosed Air Over</b>
Overload Protector	<b>Impedence</b>	Ambient Temperature	<b>40 °C</b>
UL	<b>No</b>	CSA	<b>N</b>
CE	<b>N</b>		

### Technical Specifications

Electrical Type	<b>Shaded Pole</b>	Starting Method	<b>Across The Line</b>
Poles	<b>4</b>	Rotation	<b>Clockwise Shaft End</b>
Mounting	<b>Extended Studs</b>	Drive End Bearing	<b>Sleeve</b>
Opp Drive End Bearing	<b>Sleeve</b>	Frame Material	<b>Steel</b>
Shaft Type	<b>Flat</b>	Overall Length	<b>4.07 in</b>
Frame Length	<b>1.95 in</b>	Shaft Diameter	<b>0.313 in</b>
Shaft Extension	<b>1.60 in</b>		
Outline Drawing	<b>7163932209_S001</b>	Connection Diagram	<b>NA</b>

This is an uncontrolled document once printed or downloaded and is subject to change without notice. Date Created: 11/20/2019

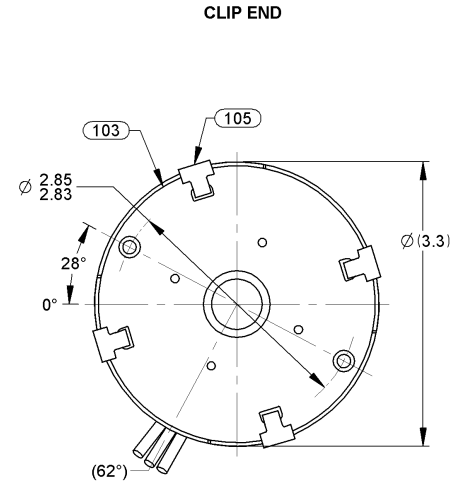
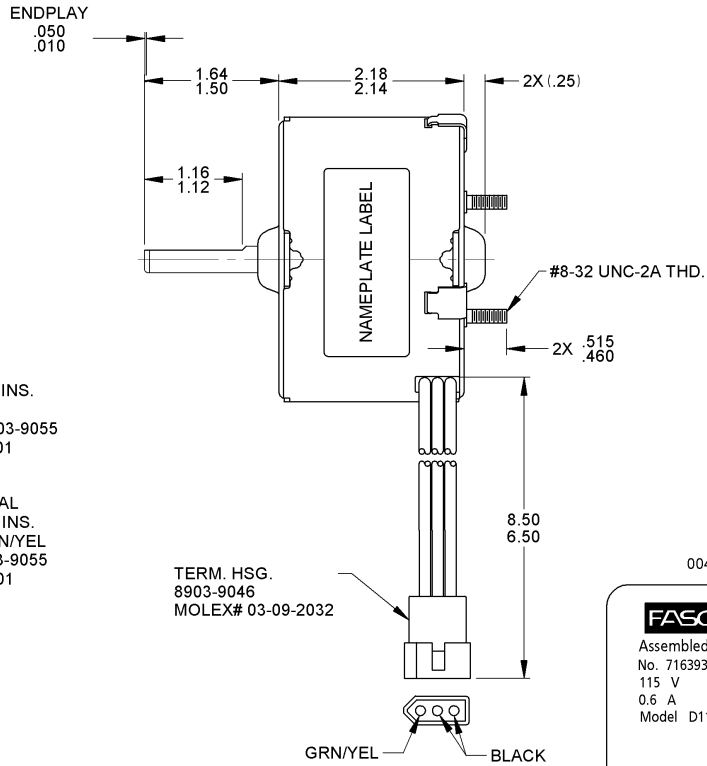
07	REVISED TO NEW N/P FORMAT	01/22/08	08	REMOVED BARCODE & ADDED LR6319 TO NAMEPLATE	PLA 11/03/09	09	REVISED PACKING AND ADDED CARTON LABEL NOTES	4004950 MLM 03/15/12	STANDARD TOLERANCES: ANGULAR +/- 1 DEGREE 2 PLACE DECIMAL +/- .01 3 PLACE DECIMAL +/- .005
----	---------------------------	----------	----	---	--------------	----	--	-------------------------	---



LEAD MATERIAL  
18 GA. 125°C 3/64 INS.  
EPDM, BLACK  
W/PIN TERMS. 8903-9055  
MOLEX# 02-09-2101

GROUND MATERIAL  
18 GA. 125°C 2/64 INS.  
X-LINK POLY., GRN/YEL  
W/PIN TERM. 8903-9055  
MOLEX# 02-09-2101

TERM. HSG.  
8903-9046  
MOLEX# 03-09-2032



0046-4072

0046-4282



Fasco Industries, Inc.  
Motor Division

Assembled in Mexico  
No. 71639322  
115 V  
0.6 A  
Model D1160

TYPE 6322581  
60 Hz  
1550 RPM  
Z.P. TEAO  
Class B  
1/100 HP  
Max Amb: 40°C

LR6319



**SAFETY WARNING**



This Motor Must Be Grounded in Accordance With Local Or National Electrical Codes To Prevent Possible Injury Due To Electrical Shock

61299553

NOTES:  
270 MAX. MOTORS PER PALLET.  
NO PACKAGING TAPE OVER CARTON LABEL.

FRONT SHAFT POSITION		TYPICAL PERFORMANCE AT 115 VOLTS 60 Hz.										CUSTOMER: FASCO DIST.		FASCO MOTORS GROUP AC MOTOR/BLOWER DIVISION									
HORIZONTAL	MOTOR SPEED	IDLE			LOADED			LOCKED			BREAK	PART NUMBER: D1160	CONFIDENTIAL: DO NOT DUPLICATE OR DISCLOSE TO THIRD PARTIES WITHOUT WRITTEN PERMISSION OF FASCO MOTORS GROUP, AC MOTOR/BLOWER DIVISION.										
		R.P.M.	AMP.	WATT	IN.OZ.	R.P.M.	AMP.	WATT	IN.OZ.	AMP.	WATT		IN.OZ.	MOTOR TYPE			DRAWING NUMBER						
		1684	.56	40	6.0	1550	.58	47	6.5	.75	69	10.7	APPLICATION: BATH VENT	SHADED POLE									
													MOTOR WEIGHT: 2.07 LBS.	7163 9322									
													ENVIRONMENT: DRY	REV. 09									
													FINISH COLOR: BLACK	B	LA	FR	A	S	C	E	B	A	REV.
													DRAWN BY: V. LEONARD	00	63	30	T	01	OY	9	3	0	09
													DATE DRAWN: FEBRUARY 5,2003										