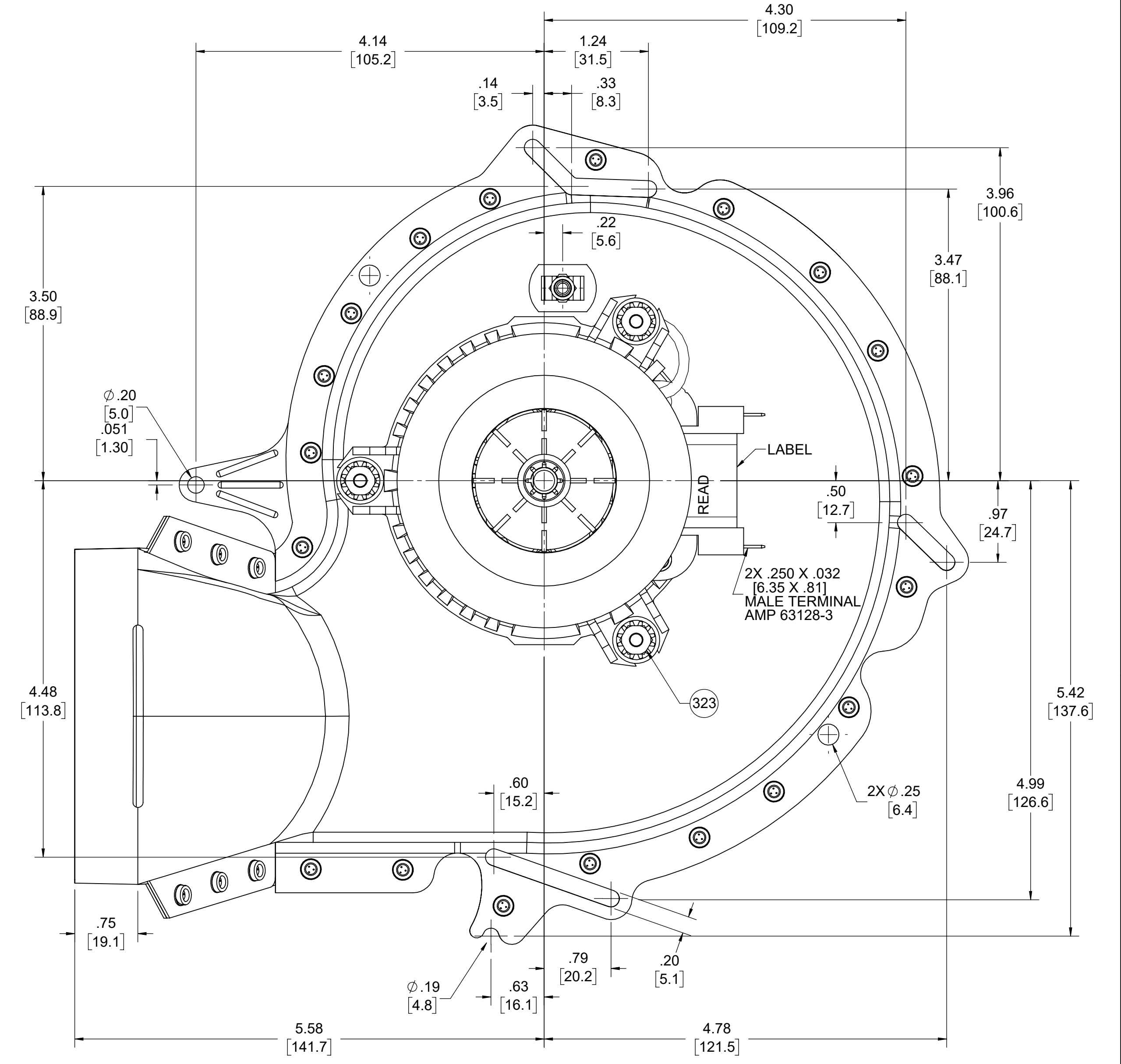
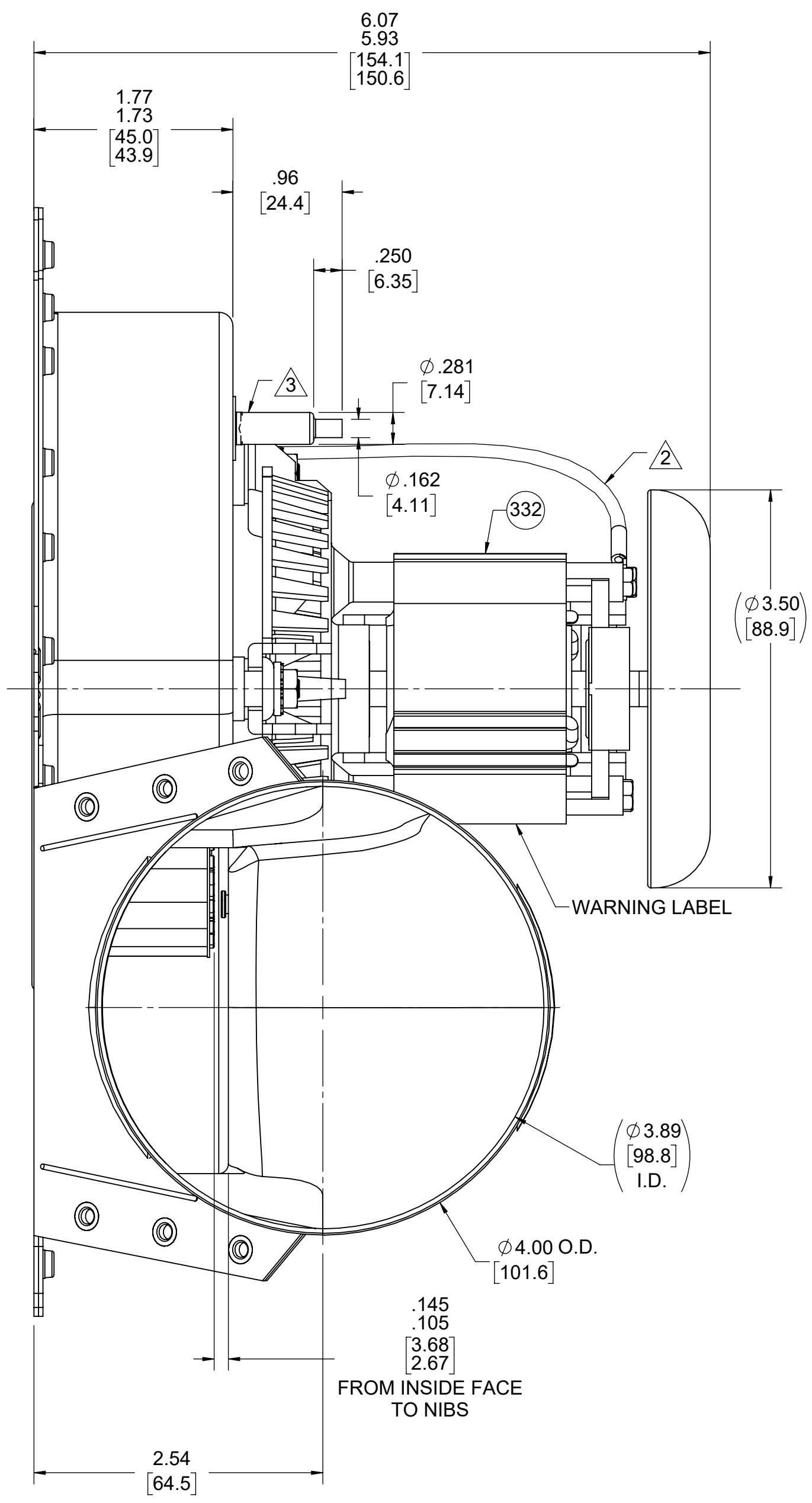
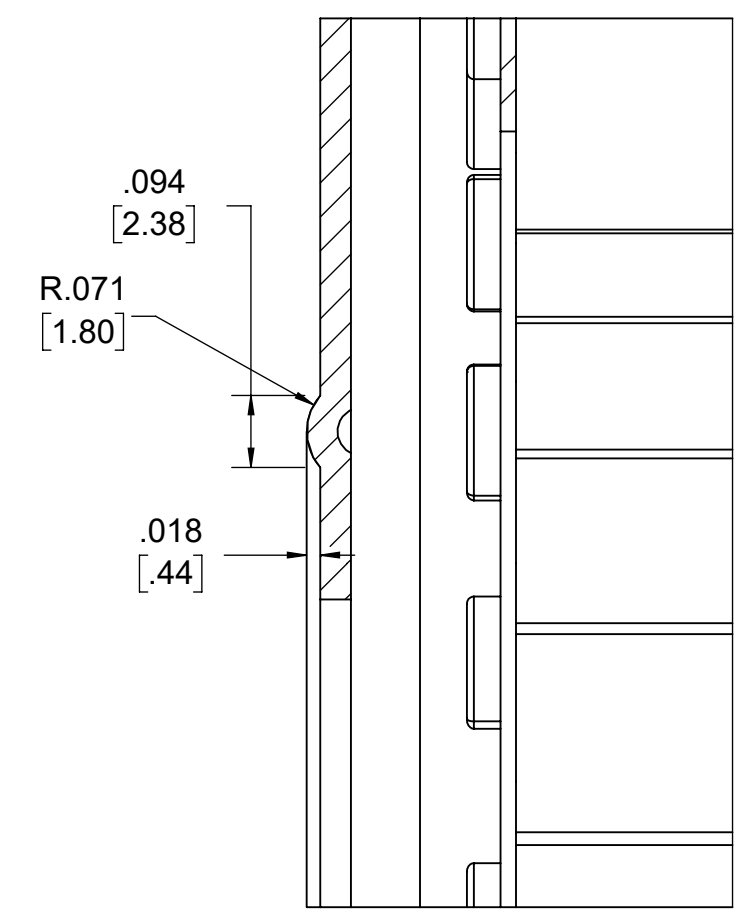
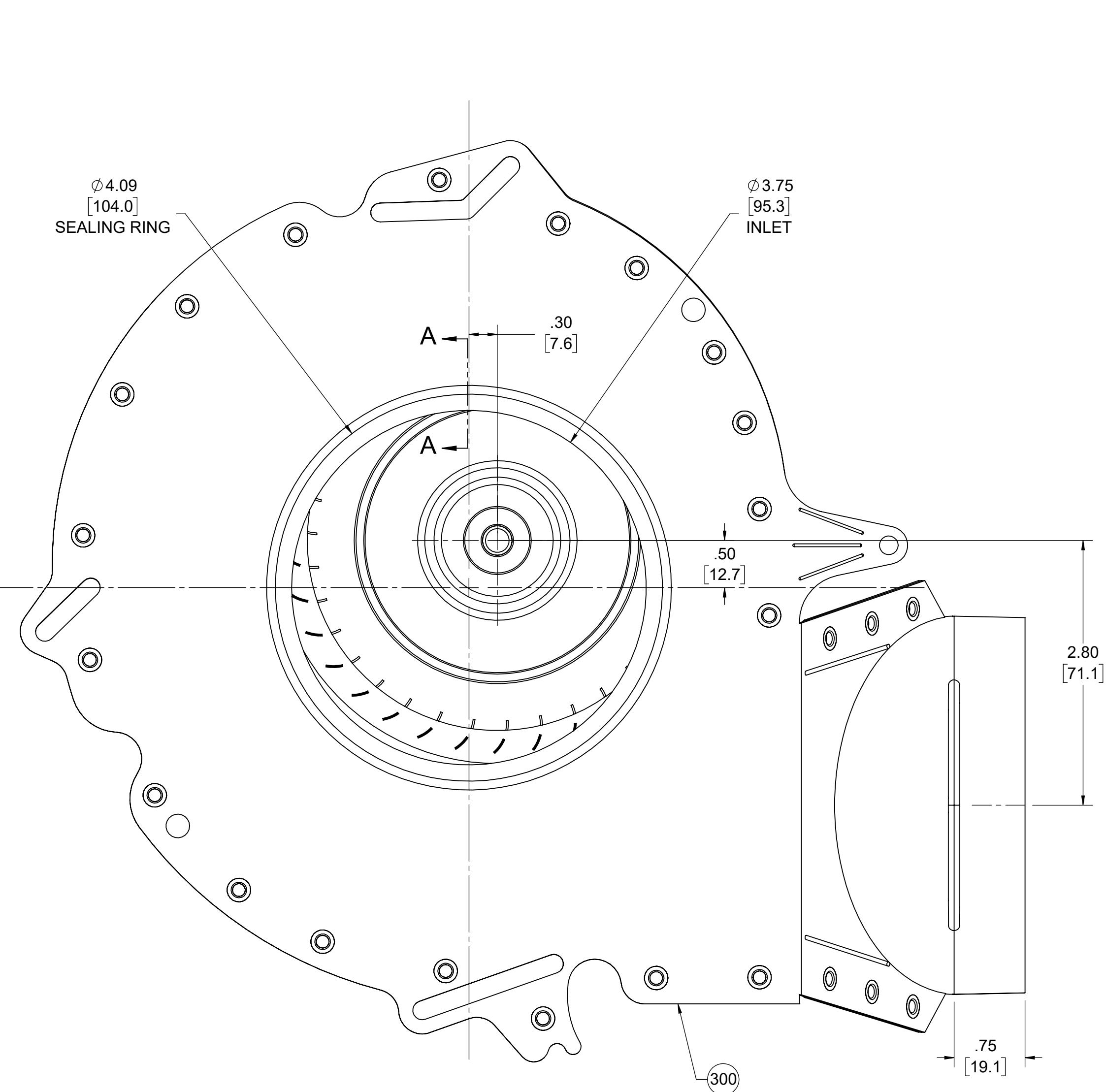


- NOTES
1. STATIC TAP READING TBD MINIMUM CORRECTED TO STANDARD AIR (0.075 LB/FT³) WITH A 1/516" INLET RESTRICTOR.
 2. INSULATION GRIP MUST BE FACING BRACKET.
 3. STATIC TAP TO HAVE A CLEAR CHROMATE FINISH (SILVER COLOR).
 4. MOTOR USES 120°C TCO AUTO RESET.
 5. PACK 1 PER CONTAINER, 12 CONTAINERS PER LAYER, 3 LAYERS PER PALLET, 36 MAX. PER PALLET, PACKING ASSY.: 87854714, PER 88834200 AND 88834408.
 6. PLACE (1) FILLER PAD IN PALLET, (1) BETWEEN EACH LAYER, AND (1) ON TOP OF PALLET LOAD.
 7. CARTON LABEL MUST ALL FACE ONE DIRECTION TOWARD THE OPEN END OF THE PALLET SEE 88834408.
 8. NO PACKAGING TAPE ON CARTON LABEL.

THERMALLY PROTECTED
CLASS B INSULATION
SEALED BALL BEARING
416 SS SHAFT

APPLICATION:		B	LA	FR	A	S	C	E	B	A
CUSTOMER:	FASCO DIST.	JS	58	48	X	06	--	5	0	0
CUSTOMER PN:	A983									

GROUND LEAD
18 GA. 105°C 2/64 INSUL.
THERMO. GRN/YEL
5.50/5.00 [139.8/127.0]
RING TERM. AMP 40724



PERFORMANCE TEST DATA PER FOT 63004502			
AT 115 VOLTS 60 Hz			
	RPM	WATTS	AMPS
BLOWER WEIGHT LBS.			ENDPLAY XX/XX

DRAWING REVISION AE	REVISION BY PLA	REV DATE/DATE 3/17/2023	TOLERANCES (EXCEPT AS NOTED): DEC. INCH mm ANGLE X .01 [-0.3] ±1° XX ±0.01 [-0.3] XXX ±0.005 [-0.13]	DRAWN BY MLM	Regal Beloit America, Inc.
REQUEST NUMBER EOR-0223430	APPROVED BY SDM	DATE 3/17/2023	APPROVED BY JMG	DATE 02/28/2017	
REQUEST NUMBER DESCRIPTION ADDED PACKING ASSY. TO NOTES			REMOVE BURRS & BREAK SHARP EDGES: .003/.015 [08/38] X 45°	DATE 02/28/2017	DESCRIPTION OUTLINE BLOWER ASSY
BLOWER WEIGHT LBS.			CORNER FILLETS: R.02 [5] MACHINED SURFACES: 125/ INCH mm 3.2/ mm DIMENSIONS IN [BRACKETS] ARE FOR REFERENCE ONLY	REFERENCE	MATERIAL PROCESS/FINISH NATURAL
			THIRD ANGLE PROJECTION	SIZE D	DRAWING NUMBER 70582726
					SHEET 1 OF 1