



Rn Radon fans

For Active Soil Depressurization (ASD) mitigation applications

- Designed specifically for Active Soil Depressurization (ASD) mitigation applications
- Air-tight housing - zero leakage
- UV-resistant resin housing
- UL Listed for safety and outdoor use
- HVI-certified fan performance
- 5-year factory warranty

[Find more details in our online catalogue](#)

Various Mitigation Scenarios

The suction and air range of Rn 1, Rn 2, and Rn 3 models covers the majority of Radon mitigation applications for both residential and commercial jobs.

Adjust suction on the go

Rn 2EC and Rn 4EC are equipped with a built-in speed controller, giving the user the option to adjust the fan speed to reach a desired level of suction with low power consumption.

Certifications



HVI Certified

HVI certification is a voluntary third-party certification programme to verify performance of residential ventilation products, in accordance with HVI/ANSI consensus test standards. Visit the HVI-Certified Products Directory to learn more.



UL Listed

This product is Listed by UL. UL has rigorously tested and confirmed that this product meets all of their stringent requirements. Search the UL Product iQ directory for more information about our listed products.

Technical parameters

Nominal data

Voltage (nominal)	120	V
Frequency	60	Hz
Phases	1~	
Input power	132	W
Input current	1.26	A
Impeller speed	2782	rpm
Air flow	max 337	cfm

Protection/Classification

Enclosure class, motor	IP44	
Insulation class	B	

Applicable pipe sizes

Pipe dimensions	3	in.
-----------------	---	-----

Dimensions and weights

Weight	2.857	kg
--------	-------	----

Optional

Duct connection type	Circular	
Motor type	AC	

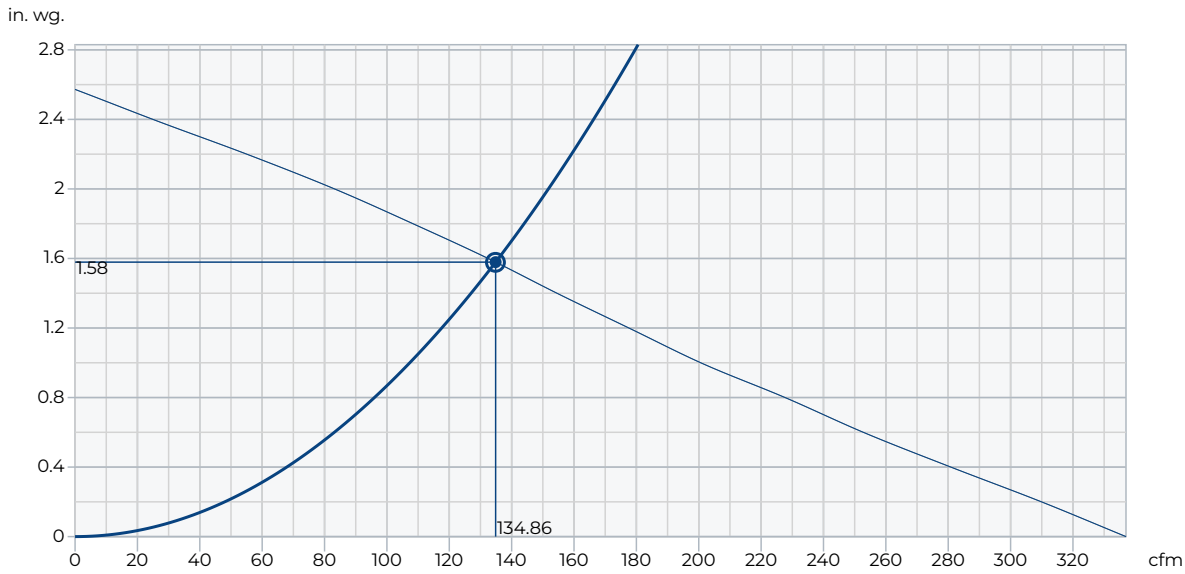
Performances

HVI Certified Rating(s)

Static Pressure (In. Wg.)	Rated Airflow (CFM)	Rated Power (Watts)
0.20	310	128

Performance

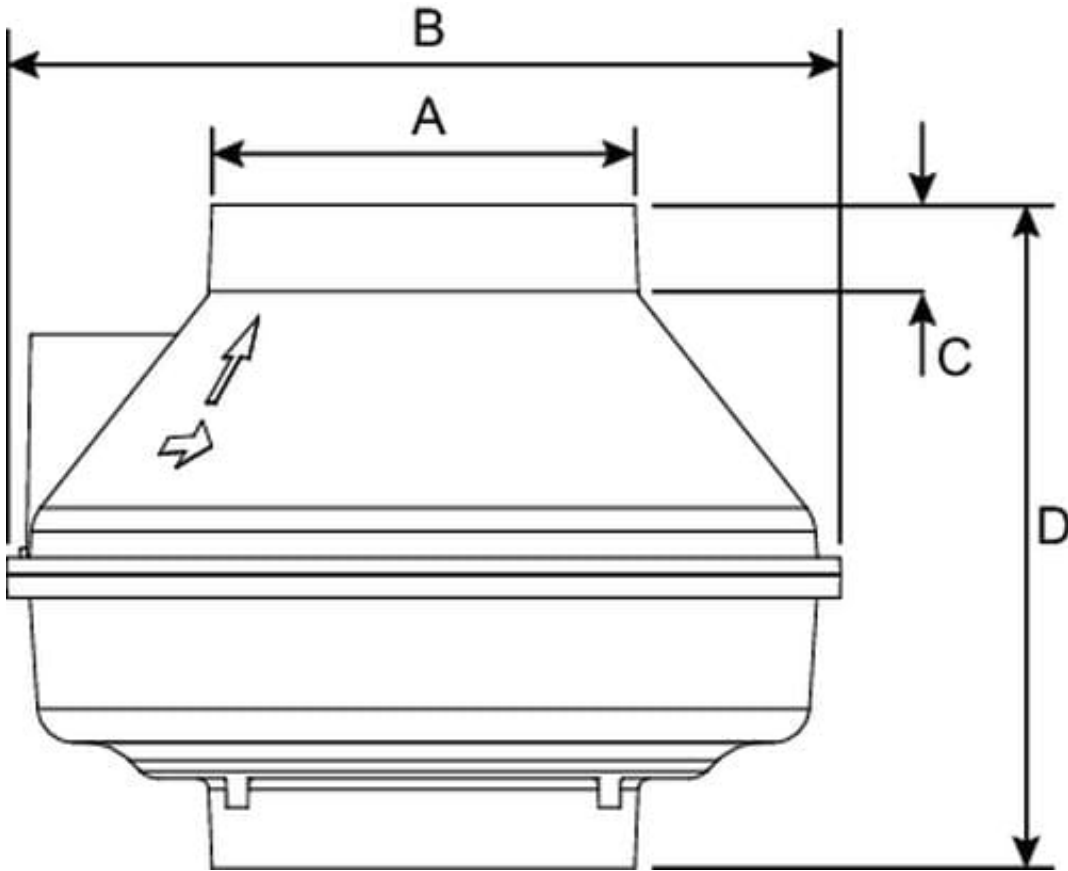
Performance curve



Performance data

Required air flow	135 cfm
Required static pressure	1.58 in. wg.
Working air flow	135 cfm
Working static pressure	1.58 in. wg.
Air density	0.075 lb/ft ³
Power	117 W
Fan control - RPM	2,980 rpm
Current	0.97 A
Airflow efficiency	1.1 cfm/W
Supply voltage	120 V

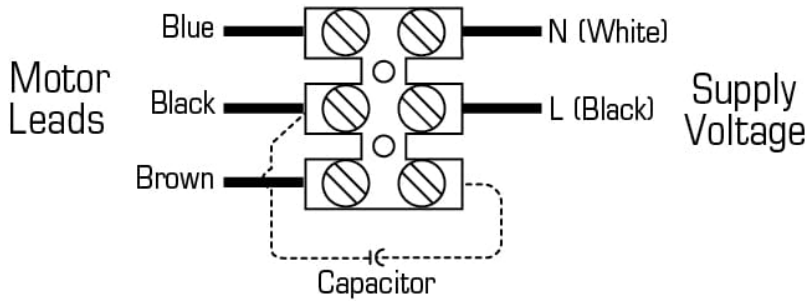
Dimension



Model	A	B	C	D
Rn1	4 15/32 (114)	10 (254)	1 1/4 (32)	9 1/4 (235)
Rn2	4 15/32 (114)	10 (254)	1 1/4 (32)	9 1/4 (235)
Rn3	5 7/8 (149)	11 1/2 (292)	1 1/4 (32)	9 1/4 (235)

Dimensions in inches (mm).

Wiring



AHU Accessories

- FRIK 6x3 Rn Installation Kit (95906)
- LDVI@ 6x3 Bulk Pack, 40 pcs (95910)
- Radon Alarm (498290)
- FRIK 6x4 Rn Installation Kit (95907)
- LDVI@ 6x4 Bulk Pack, 40 pcs (95911)

Documents

- 484840 Rn OIPM EN FR .pdf
- E1989 Radon Brochure EN
- Rn3_Sales_Sheet.pdf