



Moderate to high airflow exterior wall-mount fan

- Fan motor noise kept outside
- RAL 9016 painted housing
- Airflow temperatures up to 140°F
- Built-in thermal overload protection with automatic reset
- Rubber gasket for ease of duct installation
- Five-year factory warranty

[Find more details in our online catalogue](#)

Technical parameters

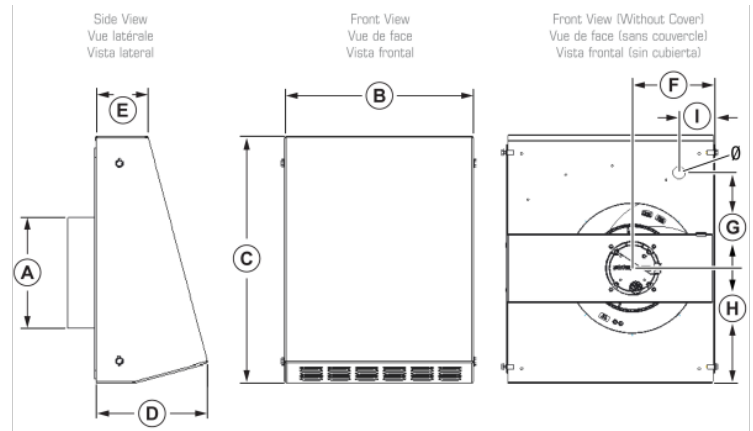
Nominal data	
Voltage (nominal)	120 V
Frequency	60 Hz
Phases	1~
Input power	90 W
Input current	1.22 A
Impeller speed	2,280 rpm
Air flow	max 574 cfm
Temperature of transported air	max 104 °F
Protection/Classification	
Enclosure class, motor	IP44
Insulation class	B
Dimensions and weights	
Duct dimension; Circular, inlet	8 in.
Duct dimension; Circular, inlet	8 in.
Duct dimension; Circular, outlet	8 in.
Weight	17.4 lb
Optional	
Duct connection type	Circular
Motor type	EC
Material	Metal

Performances

CFM Table

Model	0" Ps	0.2" Ps	0.4" Ps	0.6" Ps	0.8" Ps	1.0" Ps	1.2" Ps
RVF 4XL EC	255	220	209	190	170	155	108
RVF 6XL EC	409	362	328	284	244	208	95
RVF 8XL EC	572	470	433	392	348	290	160
RVF 10 EC	925	830	766	698	611	505	100

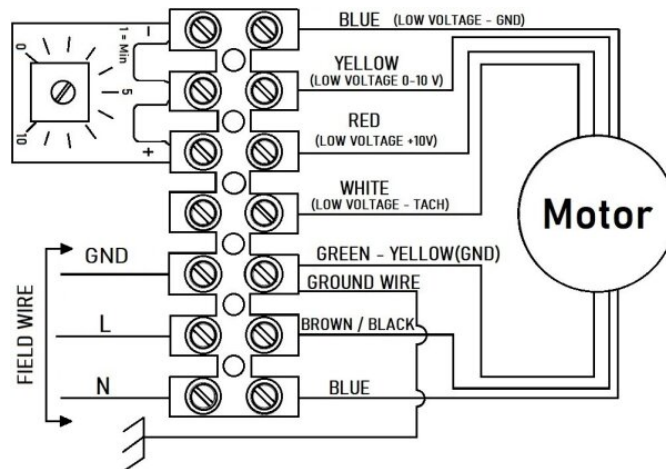
Dimensions



Model	A	B	C	D	E	F	G	H	I	Ø
RVF 4XL EC	4 (102)	10-1/4 (260)	13 (330)	6 (152)	2-3/4 (70)	5-1/8 (130)	5-3/4 (146)	5-7/8 (149)	2-1/8 (54)	7/8 (22)
RVF 6XL EC	6 (152)	14-3/8 (365)	17-1/4 (438)	8-1/8 (206)	4-7/8 (124)	5-5/8 (143)	6-1/2 (165)	7-13/16 (198)	2-1/2 (64)	7/8 (22)
RVF 8XL EC	8 (203)	14-3/8 (365)	17-1/4 (438)	8-1/8 (206)	4-7/8 (124)	5-5/8 (143)	6-1/2 (165)	7-13/16 (198)	2-1/2 (64)	7/8 (22)
RVF 10 EC	10 (254)	17-7/8 (454)	21-1/4 (540)	10 (254)	5-7/8 (149)	7-3/8 (187)	8-1/16 (205)	9-1/8 (232)	2-3/4 (70)	7/8 (22)

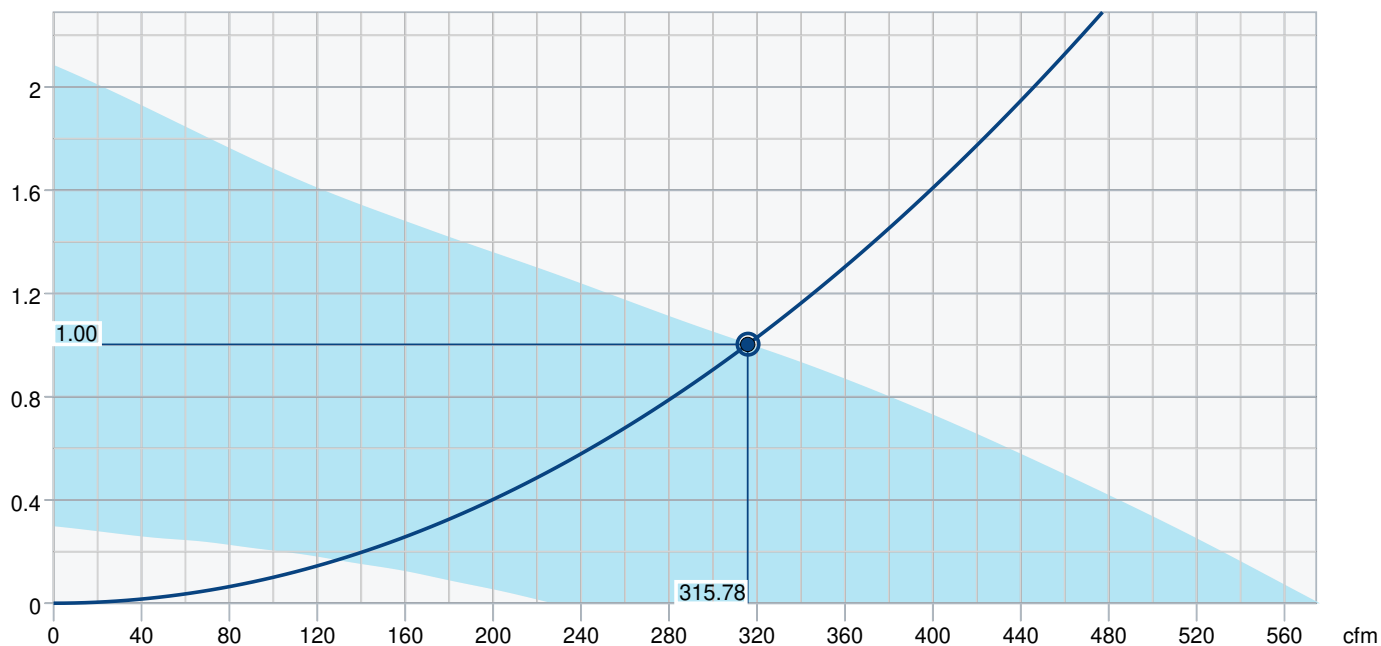
Dimensions are in inches (mm).

Wiring



Performance curve

in. wg.



Hydraulic data

Required air flow	316 cfm									
Required static pressure	1.00 in. wg.									
Working air flow	316 cfm									
Working static pressure	1.00 in. wg.									
Air density	0.075 lb/ft ³									
Power	89 W									
Fan control - RPM	2,278 rpm									
Current	1.21 A									
Airflow efficiency	3.5 cfm/W									
Control voltage	10.0 V									
Supply voltage	120 V									
Sound power level	63	125	250	500	1k	2k	4k	8k	Total	
Outlet	dB(A)	39	62	68	70	70	71	63	56	76

Accessories

FH 20 Dehumidistat (410727)

WC 15 Speed control (411102)

RSK 8 Backdraft Damper (411115)

MGE 8 Metal Exhaust Grill (411244)

EC-10V Speed control (498148)

FTD7 7-day digital timer (49792)

FIDT 8 Insulated Flex Duct (411065)

FC 8 Mounting Clamps (2 pcs) (411121)

MGS 8 Metal Supply Grill (411243)

Documents

450483 RVF Brochure EN

401452 RVF IOM EN FR ES

450373 RVF Submittal Sheet EN

RVF EC CSI Specification